



US00D579915S

(12) **United States Design Patent**
Yeo

(10) **Patent No.:** **US D579,915 S**

(45) **Date of Patent:** **** Nov. 4, 2008**

(54) **SPEAKER**

D516,542 S * 3/2006 Kang et al. D14/214
D540,782 S * 4/2007 Katsumata D14/214

(75) Inventor: **In-Young Yeo**, Seoul (KR)

* cited by examiner

(73) Assignee: **Samsung Electronics Co., Ltd.**,
Suwon-Si (KR)

Primary Examiner—Nanda Bondade
(74) *Attorney, Agent, or Firm*—Staas & Halsey

(**) Term: **14 Years**

(57) **CLAIM**

(21) Appl. No.: **29/287,317**

The ornamental design for a speaker, as shown and described.

(22) Filed: **Jul. 23, 2007**

DESCRIPTION

(51) **LOC (8) Cl.** **14-01**

(52) **U.S. Cl.** **D14/214**

(58) **Field of Classification Search** D14/204,
D14/209–216, 162, 168, 172, 496; 181/143–144,
181/147–148, 150, 157, 198–199, 151, 153;
381/300–302, 306, 333, 345, 361–364, 386–388,
381/332, 336

FIG. 1 is a perspective view of a speaker according to my new design;

FIG. 2 is a front elevational view thereof;

FIG. 3 is a rear elevational view thereof;

FIG. 4 is a left side elevational view thereof;

FIG. 5 is a right side elevational view thereof;

FIG. 6 is a top plan view thereof; and,

FIG. 7 is a bottom plan view thereof.

See application file for complete search history.

(56) **References Cited**

U.S. PATENT DOCUMENTS

D503,396 S * 3/2005 Hisatsune D14/214

1 Claim, 7 Drawing Sheets

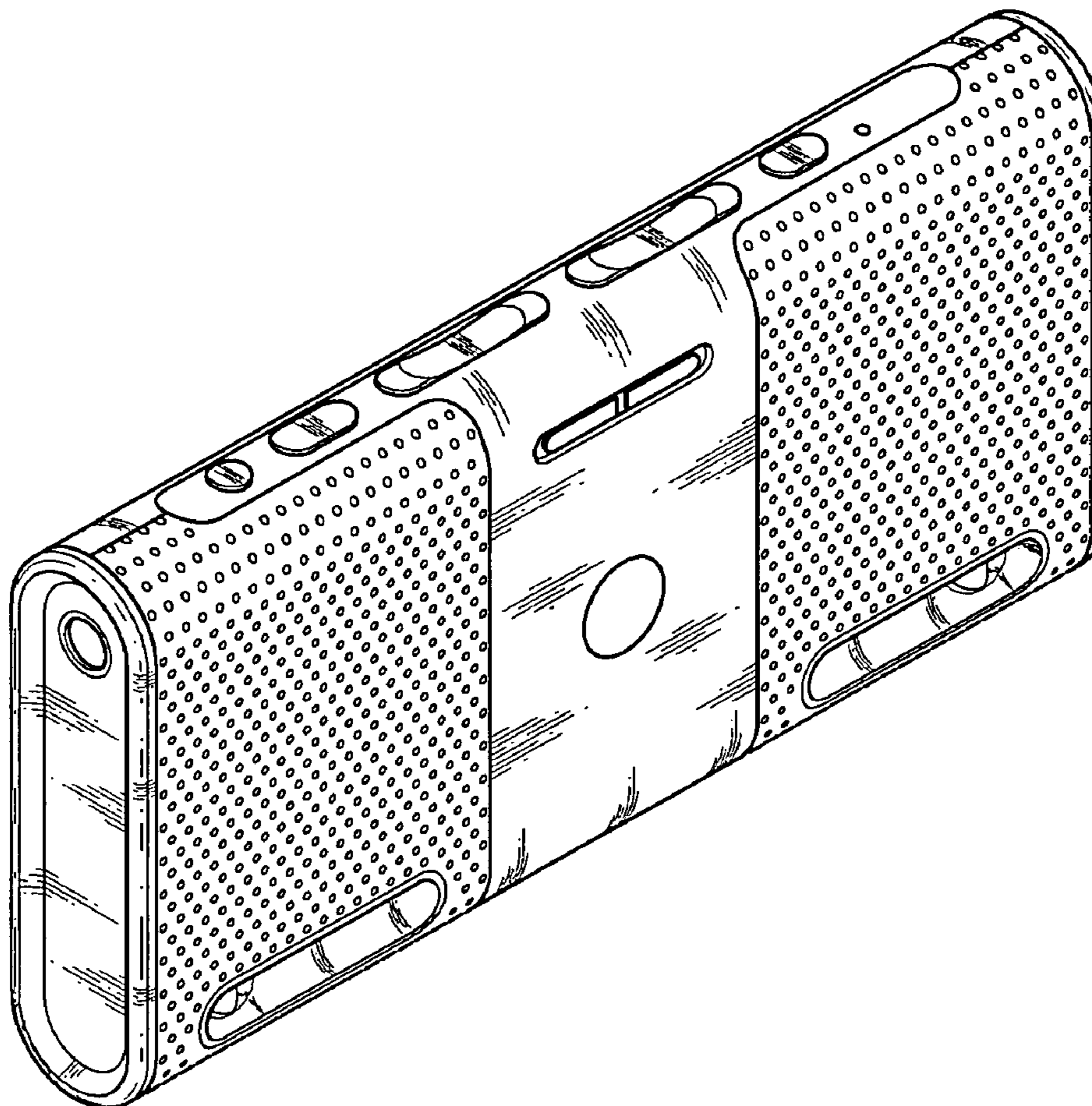


FIG. 1

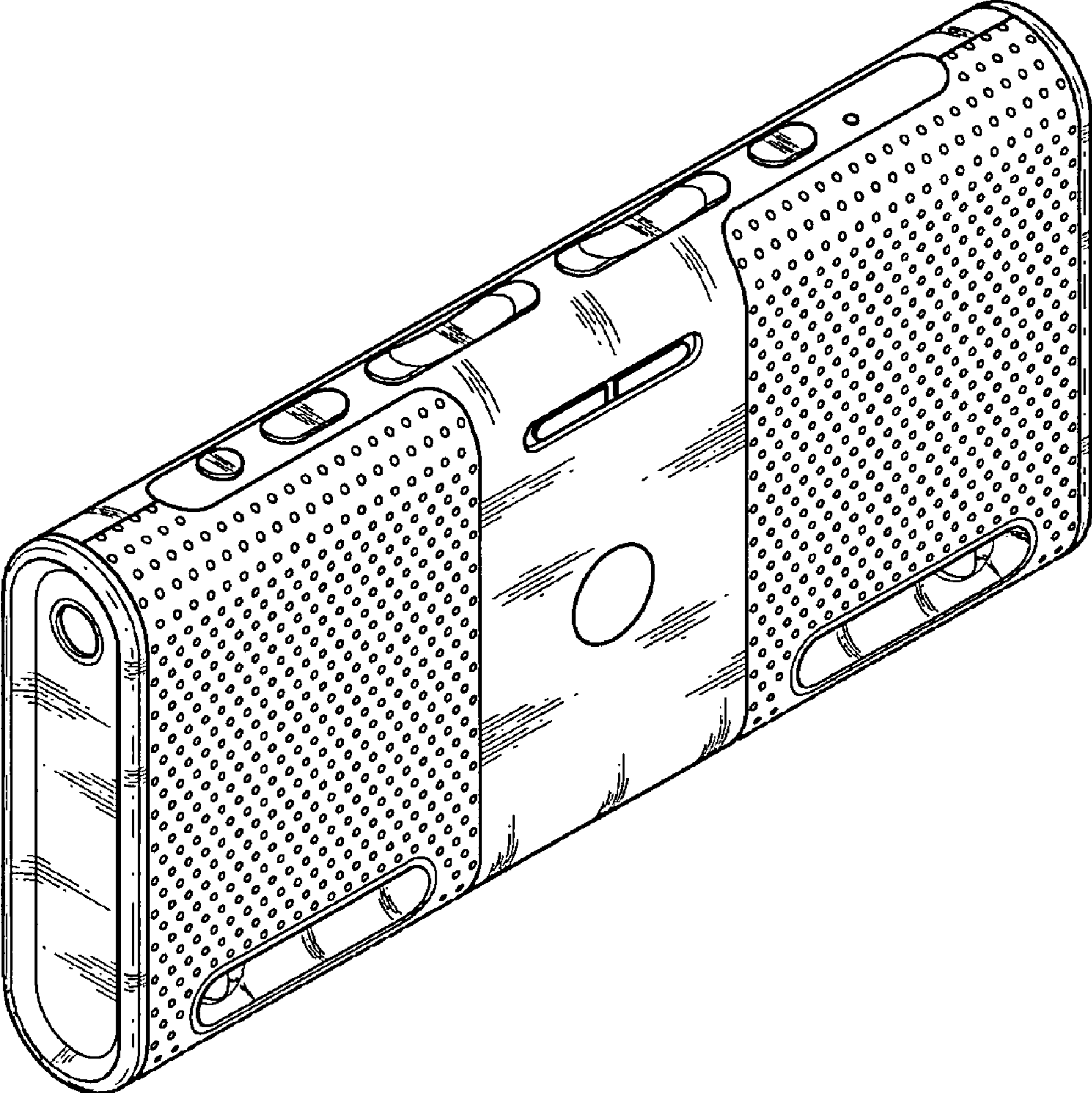


FIG. 2

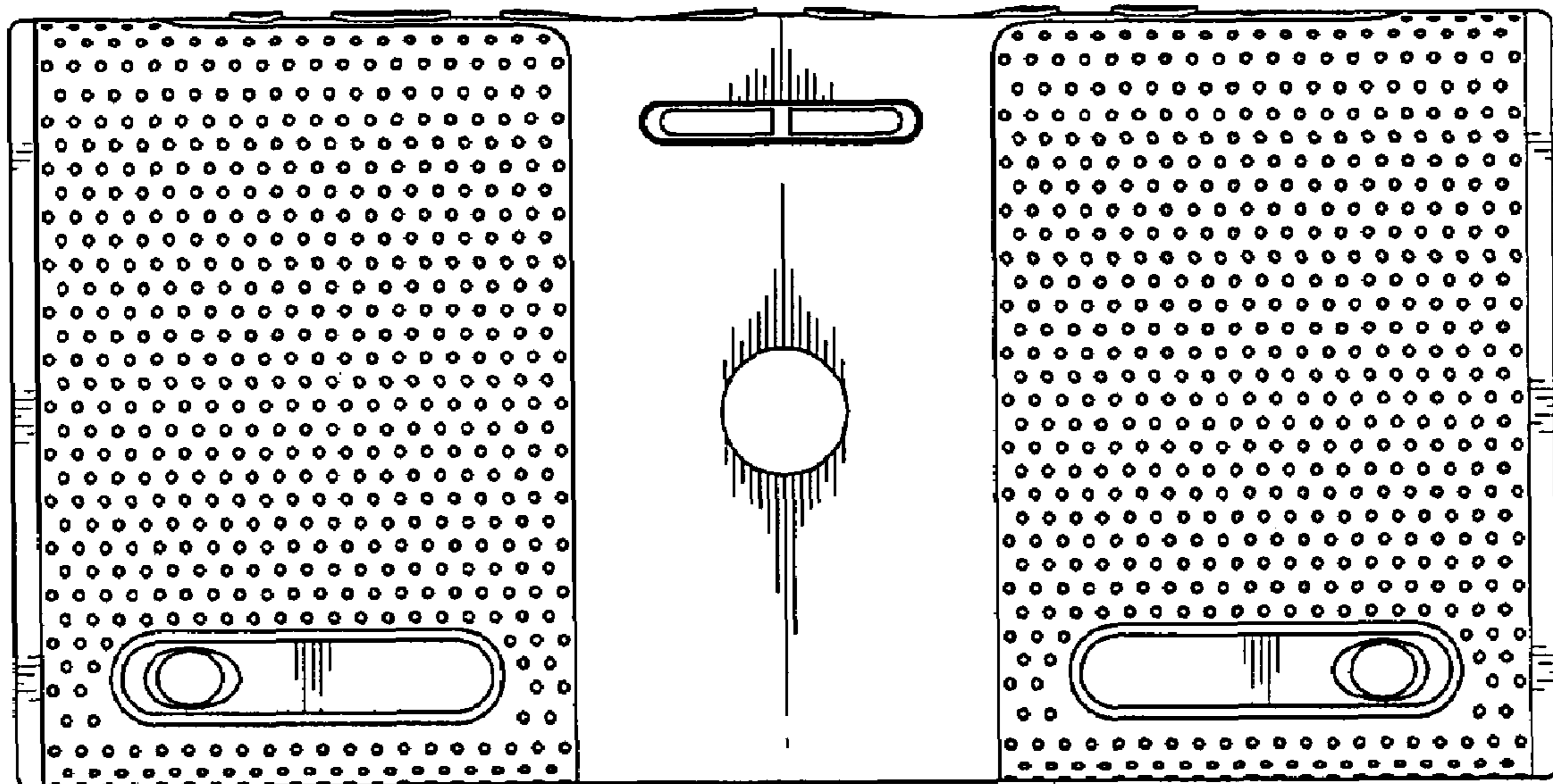


FIG. 3

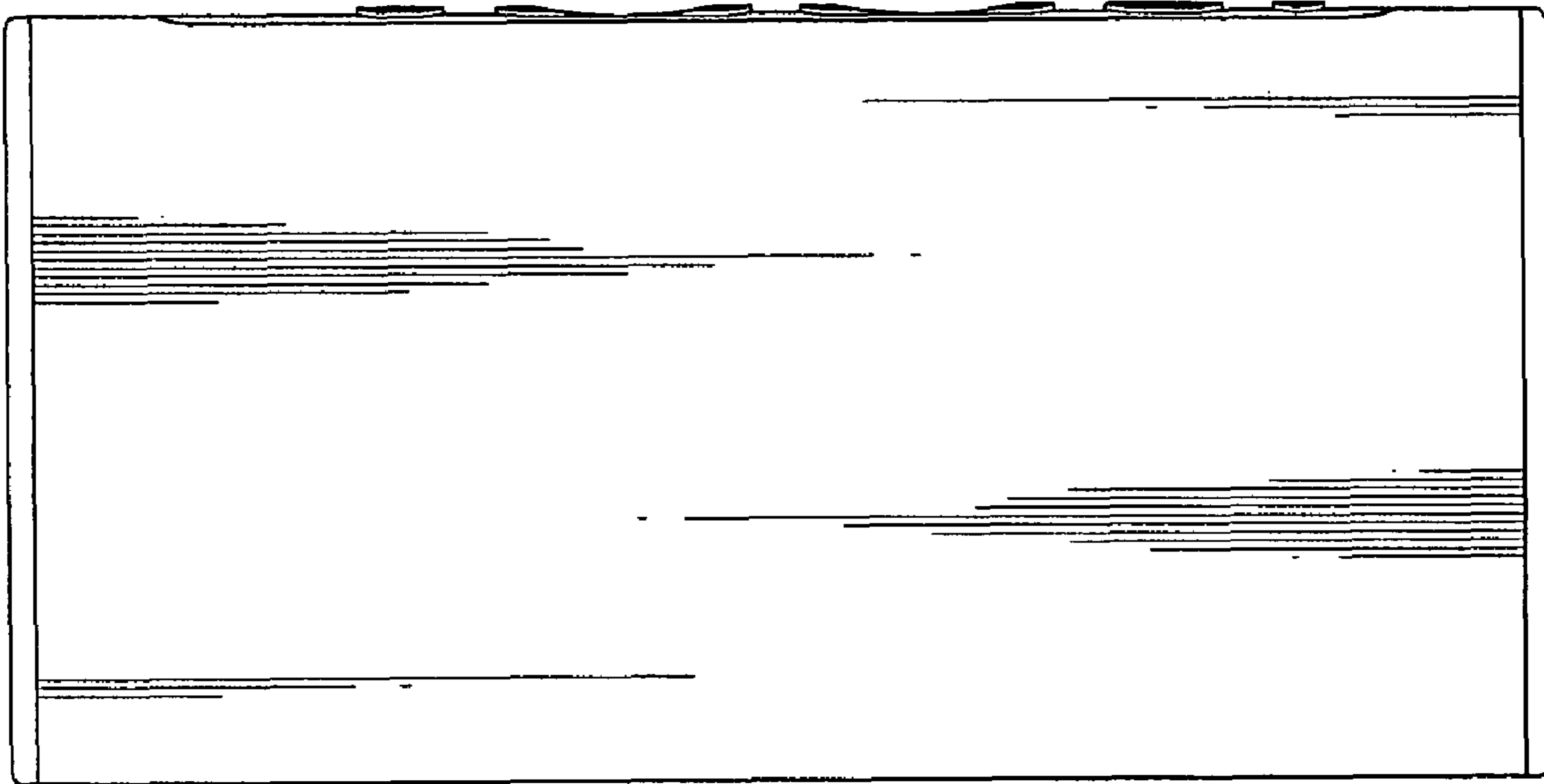


FIG. 4

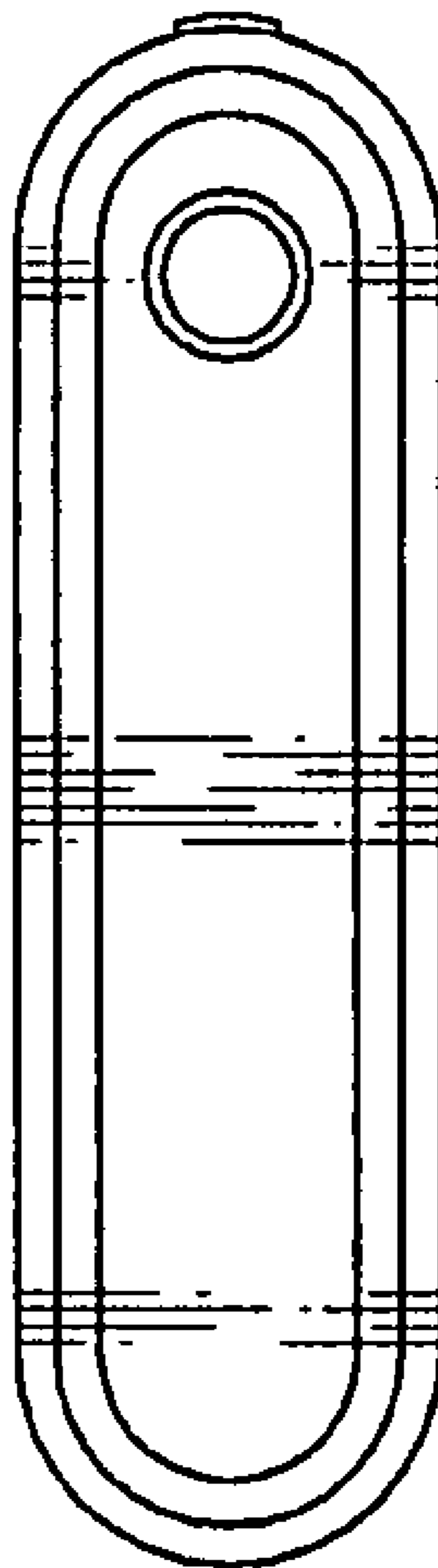


FIG. 5

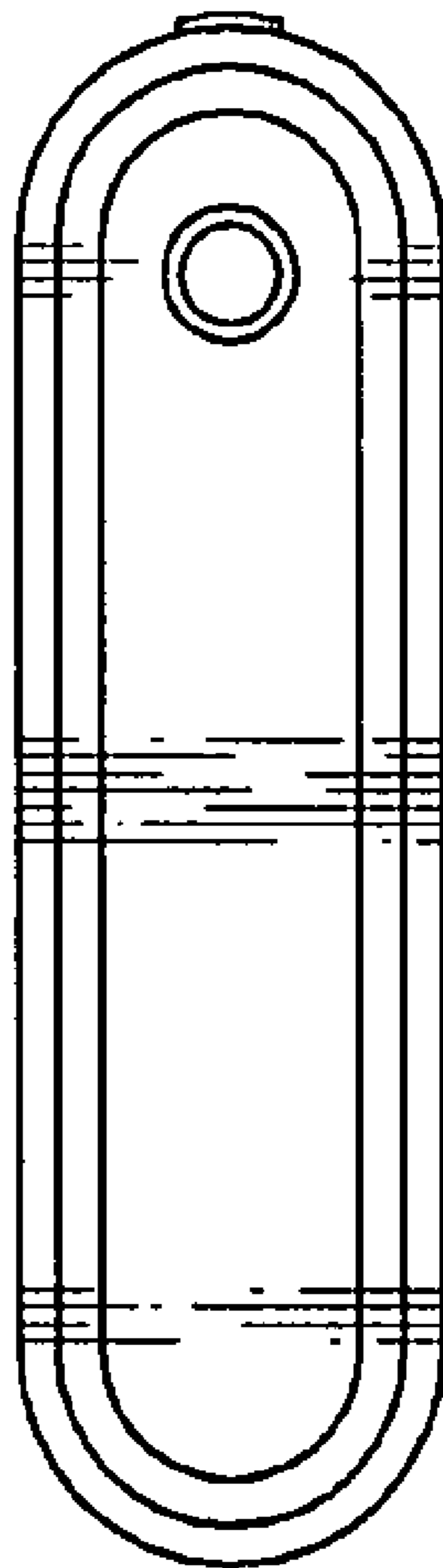


FIG. 6

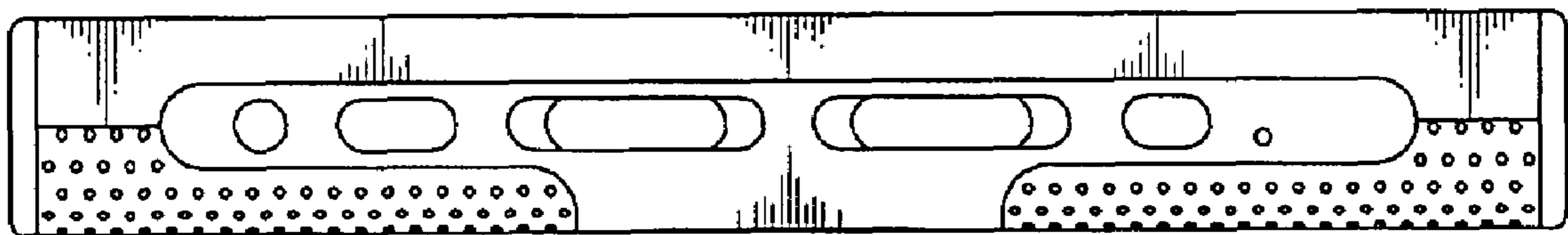


FIG. 7

