



US00D579914S

(12) **United States Design Patent**  
**Okamura et al.**

(10) **Patent No.:** **US D579,914 S**

(45) **Date of Patent:** **\*\* Nov. 4, 2008**

(54) **COMBINED SPEAKER AND AMPLIFIER**

D535,270 S \* 1/2007 Ichikawa et al. .... D14/136  
D536,330 S \* 2/2007 Tan ..... D14/211

(75) Inventors: **Sunao Okamura**, Hamamatsu (JP);  
**Nobushiro Aiba**, Hamamatsu (JP)

(73) Assignee: **Yamaha Corporation**, Hamamatsu-shi  
(JP)

\* cited by examiner

*Primary Examiner*—Nanda Bondade

(74) *Attorney, Agent, or Firm*—Sughrue Mion, PLLC

(\*\*) Term: **14 Years**

(21) Appl. No.: **29/299,087**

(57) **CLAIM**

(22) Filed: **Dec. 19, 2007**

The ornamental design for a combined speaker and amplifier,  
as shown.

(30) **Foreign Application Priority Data**

Jul. 20, 2007 (JP) ..... 2007-019736

**DESCRIPTION**

(51) **LOC (8) Cl.** ..... **14-01**

(52) **U.S. Cl.** ..... **D14/172; D14/168**

(58) **Field of Classification Search** ..... D14/204,  
D14/209–216, 136, 168, 172, 496, 188, 194,  
D14/197; 181/143–144, 147–148, 150, 157,  
181/198–199, 151, 153; 381/300–302, 306,  
381/333, 345, 361–364, 386–388, 332, 336

FIG. 1 is a perspective view of the top, front and right side of  
a combined speaker and amplifier showing our new design;  
FIG. 2 is a top plan view thereof;  
FIG. 3 is a front elevational view thereof;  
FIG. 4 is a right side elevational view thereof;  
FIG. 5 is a left side elevational view thereof;  
FIG. 6 is a bottom plan view thereof; and,  
FIG. 7 is a rear elevational view thereof.

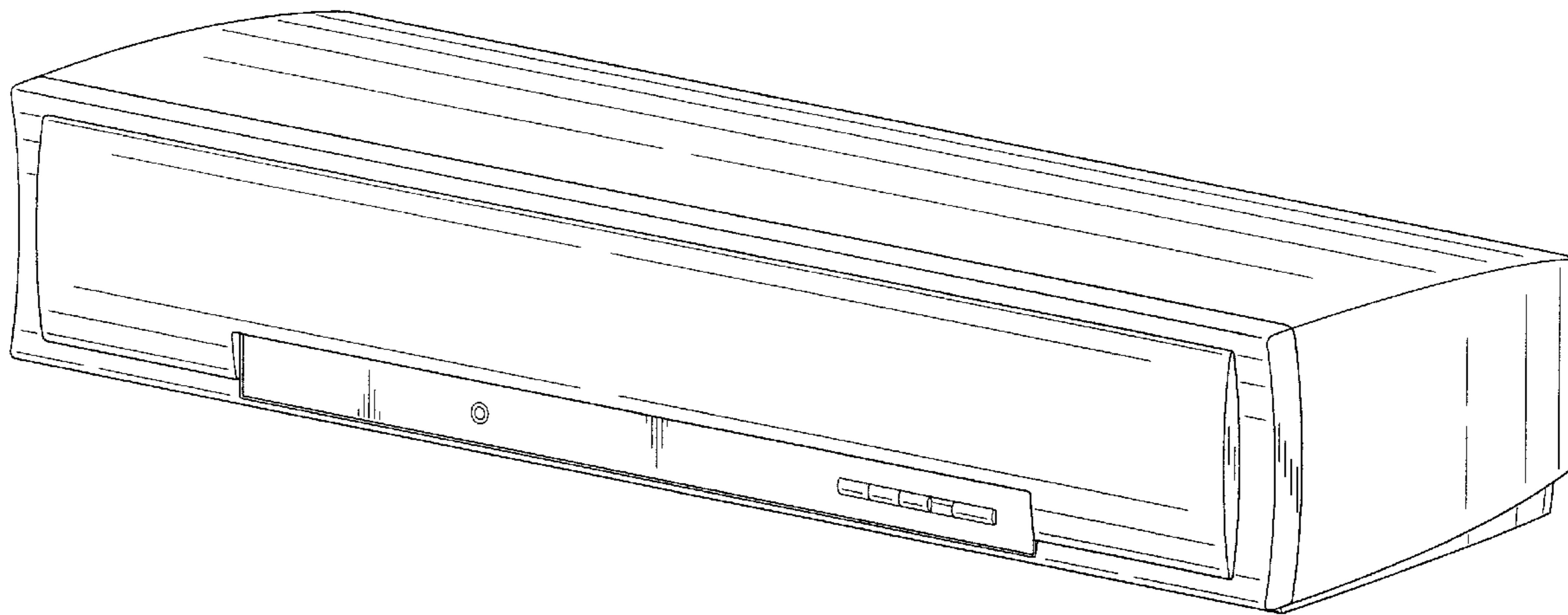
See application file for complete search history.

(56) **References Cited**

**U.S. PATENT DOCUMENTS**

D520,494 S \* 5/2006 Aiba et al. .... D14/214

**1 Claim, 4 Drawing Sheets**



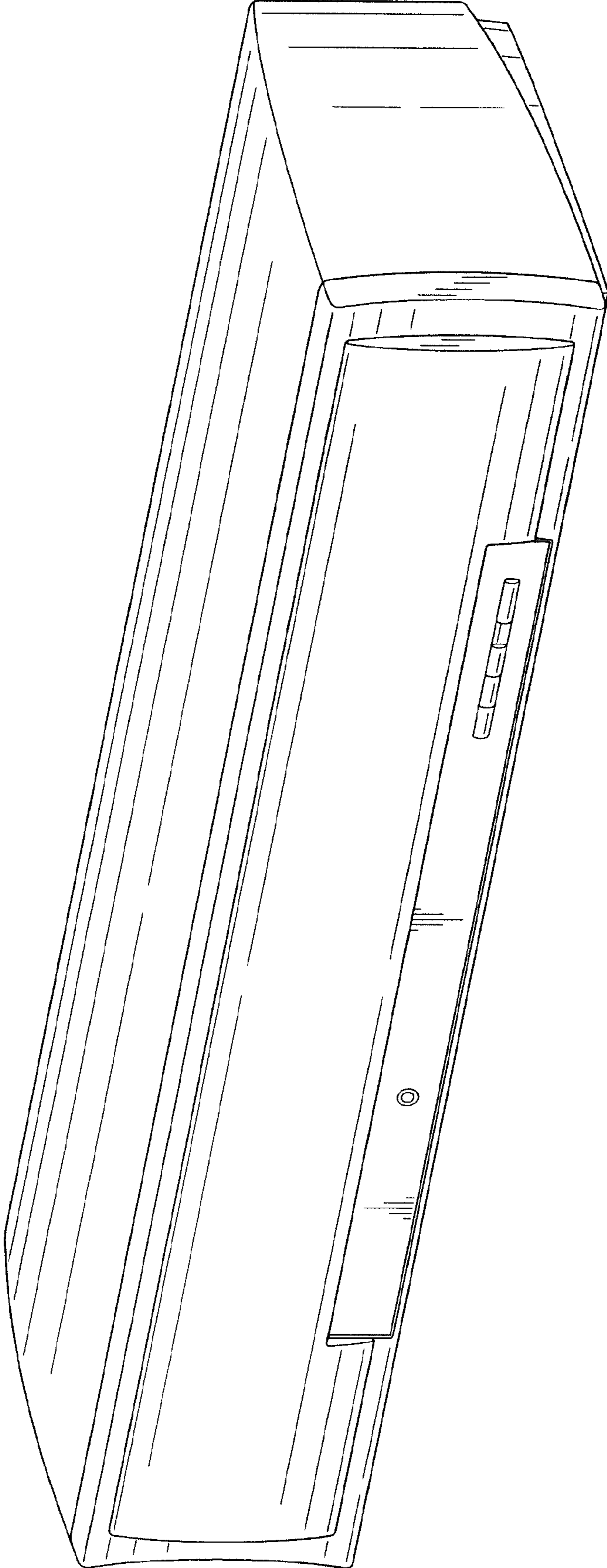


FIG. 1

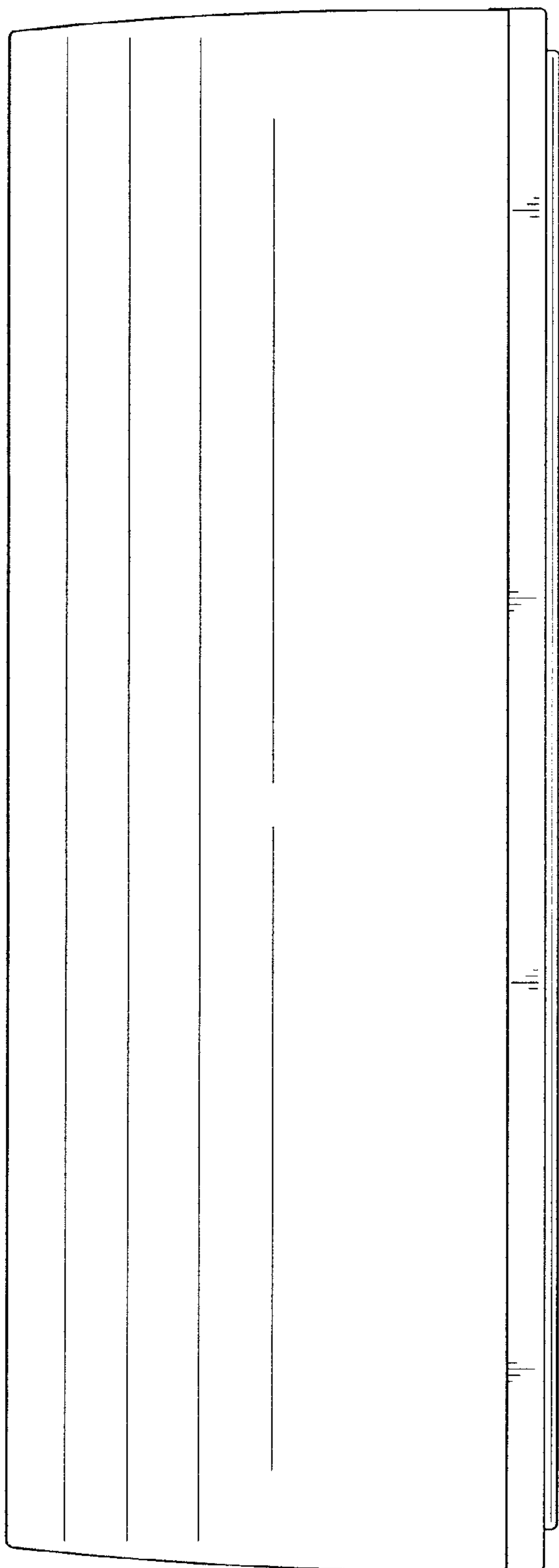


FIG. 2

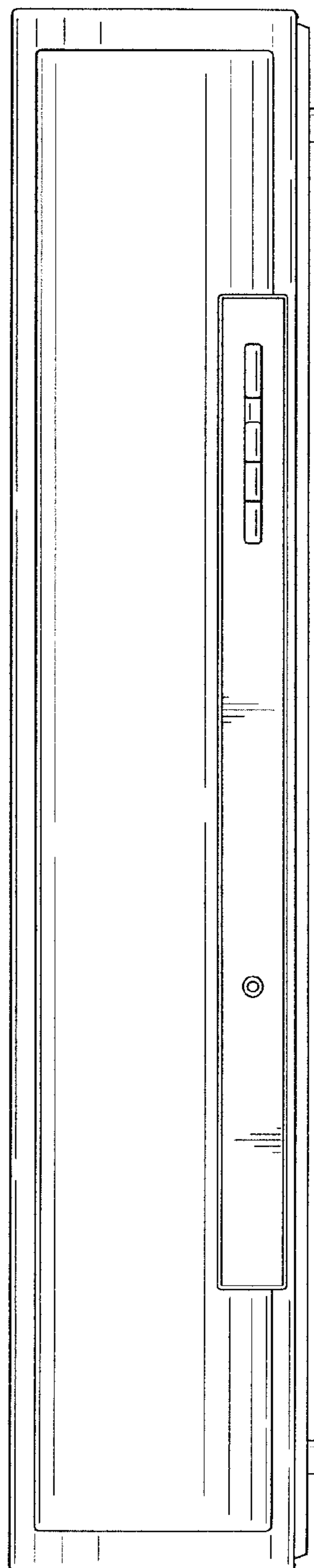
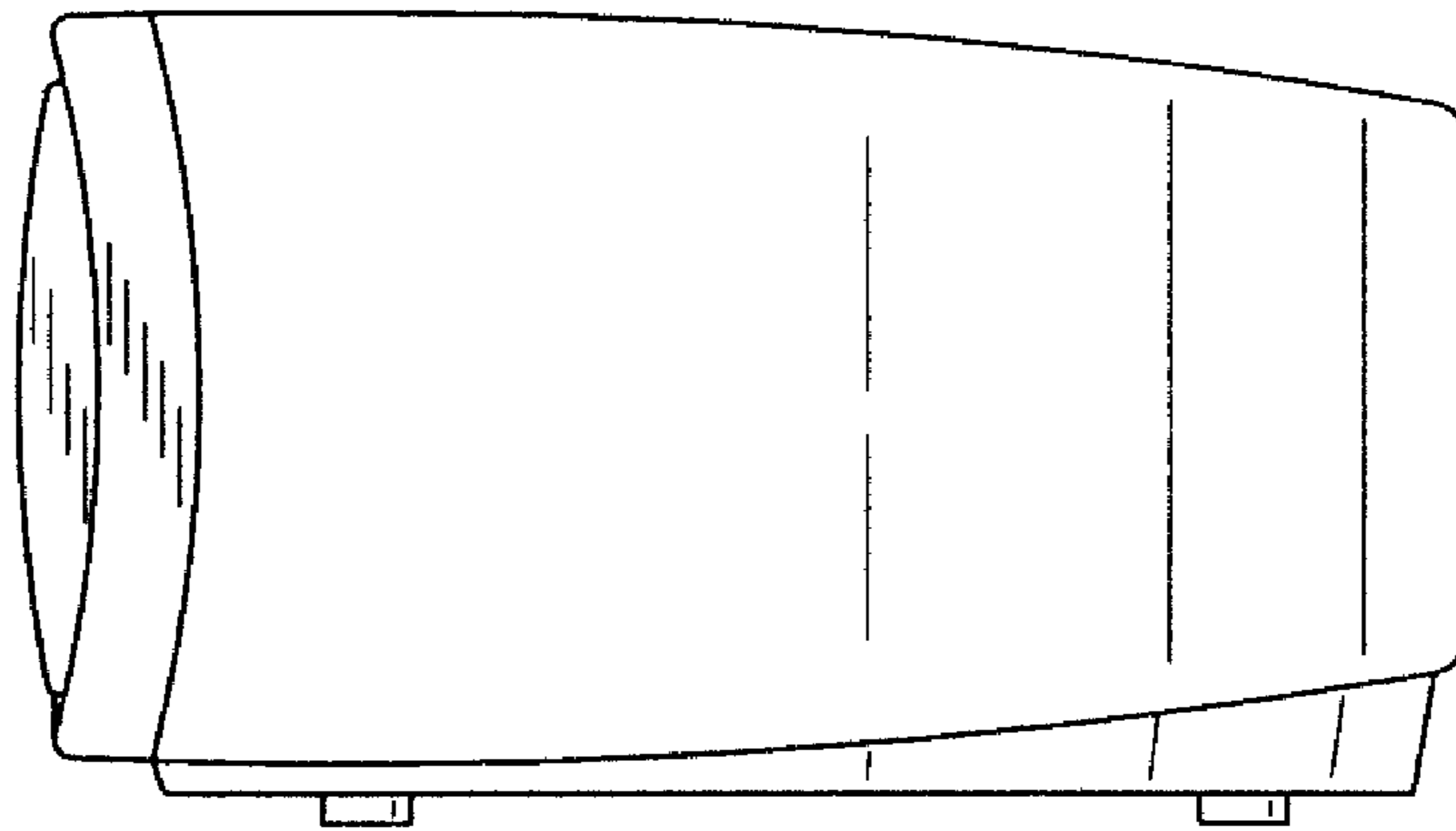
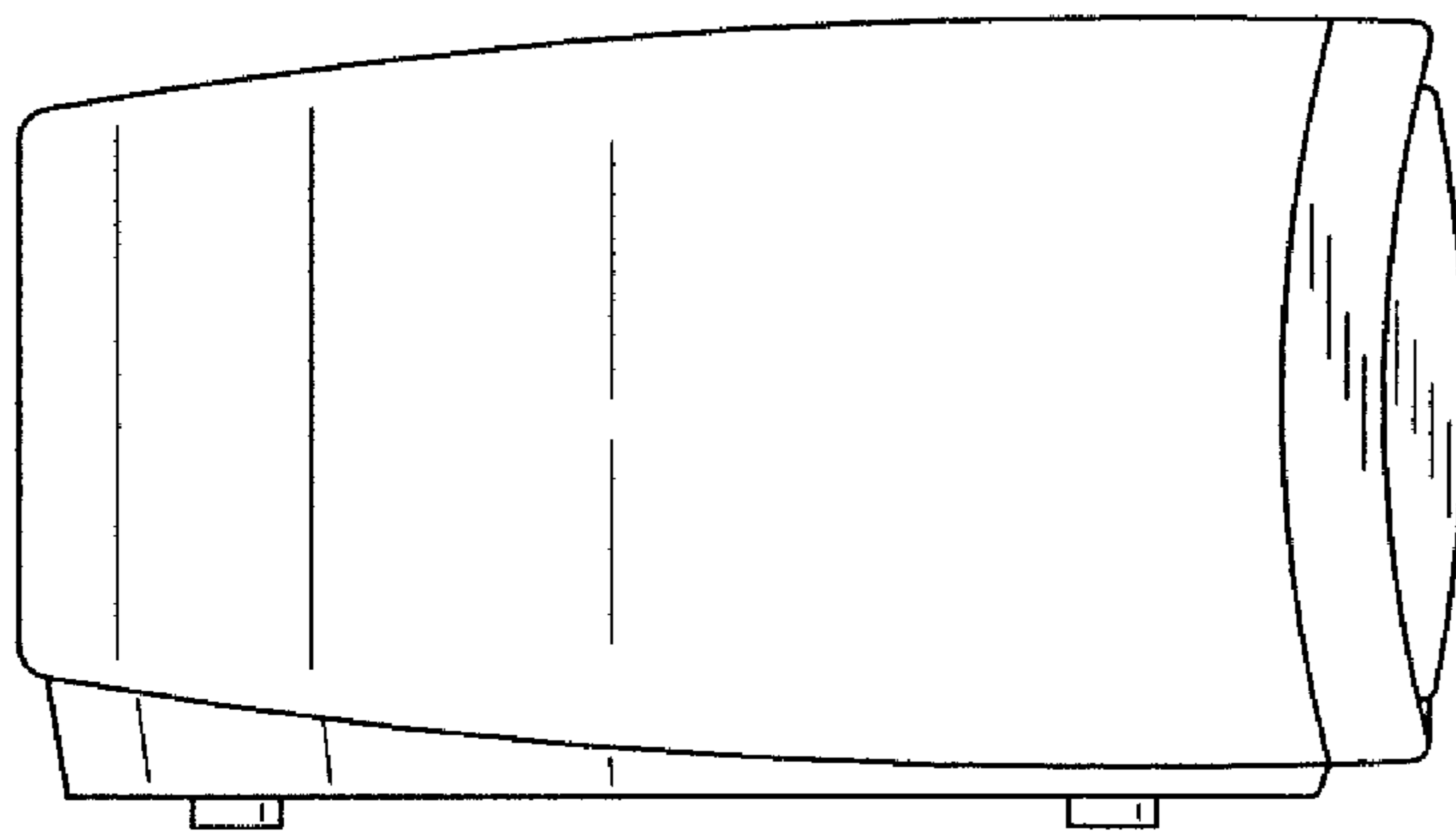


FIG. 3



*FIG. 4*



*FIG. 5*

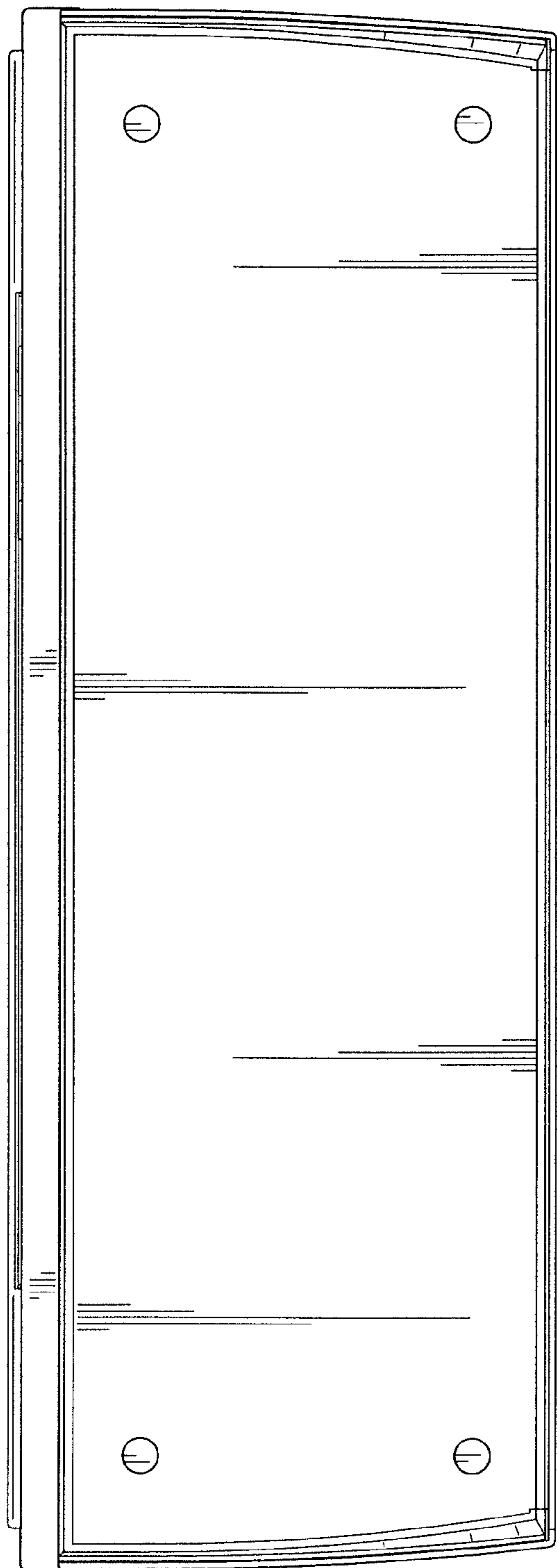


FIG. 6

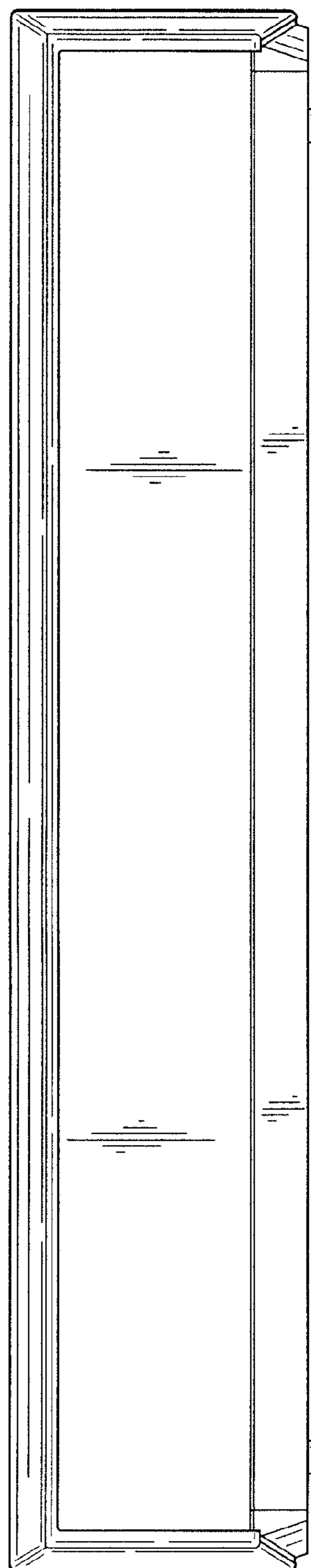


FIG. 7