

US00D579902S

(12) **United States Design Patent**
Kim et al.

(10) **Patent No.:** **US D579,902 S**
(45) **Date of Patent:** **** Nov. 4, 2008**

(54) **MOBILE PHONE**

(75) Inventors: **Jun Kim**, Uijeongbu-si (KR); **Beom-Ku Han**, Seoul (KR); **Chang-Soo Lee**, Incheon (KR)

(73) Assignee: **Samsung Electronics Co., Ltd.**, Suwon-Si (KR)

(**) Term: **14 Years**

(21) Appl. No.: **29/290,840**

(22) Filed: **Jan. 18, 2008**

(30) **Foreign Application Priority Data**

Nov. 22, 2007 (KR) 30-2007-0048527

(51) **LOC (8) Cl.** **14-03**

(52) **U.S. Cl.** **D14/138**

(58) **Field of Classification Search** D14/137, D14/138, 147, 191, 218, 247-248, 341-347, D14/496; D10/65, 78, 104; D13/168; D18/7; 455/556.1, 566, 575.1, 575.3; 345/169
See application file for complete search history.

(56) **References Cited**

U.S. PATENT DOCUMENTS

D346,589 S *	5/1994	Andros	D14/341
D376,351 S *	12/1996	Matsumoto	D14/346
D488,468 S *	4/2004	Hu	D14/341
D496,645 S *	9/2004	Yoo et al.	D14/138
D506,937 S *	7/2005	Lee et al.	D10/65
D529,045 S *	9/2006	Shin	D14/496
D530,698 S *	10/2006	Lee et al.	D14/138
D536,329 S *	2/2007	Lee	D14/156
D540,203 S *	4/2007	Jeon	D10/65
D541,785 S *	5/2007	Hwang et al.	D14/138
D551,645 S *	9/2007	Kim et al.	D14/138
D551,647 S *	9/2007	Kim et al.	D14/138
D562,285 S *	2/2008	Lim	D14/138

(Continued)

OTHER PUBLICATIONS

NEC N930, announced 4th quarter 2004, [online], [retrieved on Feb. 20, 2007]. Retrieved from Internet ,<URL: http://www.gsmarena.com>.*

Haier M2000, announced 2005, [online], [retrieved on Jan. 18, 2008]. Retrieved from Internet ,<URL:http://www.gsmarena.com>.*

Philips S900, announced Jun. 2006, [online], [retrieved on Feb. 20, 2007]. Retrieved from Internet ,<URL: http://www.gsmarena.com>.*

LG KE850 Prada, announced Jan. 2007, [online], [retrieved on Feb. 20, 2007]. Retrieved from Internet ,<URL: http://www.gsmarena.com>.*

LG KU990 Viewty, announced Aug. 2007, [online], [retrieved on Sep. 15, 2007]. Retrieved from Internet ,<URL: http://www.gsmarena.com>.*

Samsung F480, announced Feb. 2008, [online], [retrieved on Mar. 21, 2008]. Retrieved from Internet ,<URL: http://www.gsmarena.com>.*

LG CU915Vu, announced Mar. 2008, [online], [retrieved on May 14, 2008]. Retrieved from Internet ,<URL: http://www.gsmarena.com>.*

Primary Examiner—Jeffrey D. Asch

Assistant Examiner—Bridget L Eland

(74) *Attorney, Agent, or Firm*—Staas & Halsey LLP

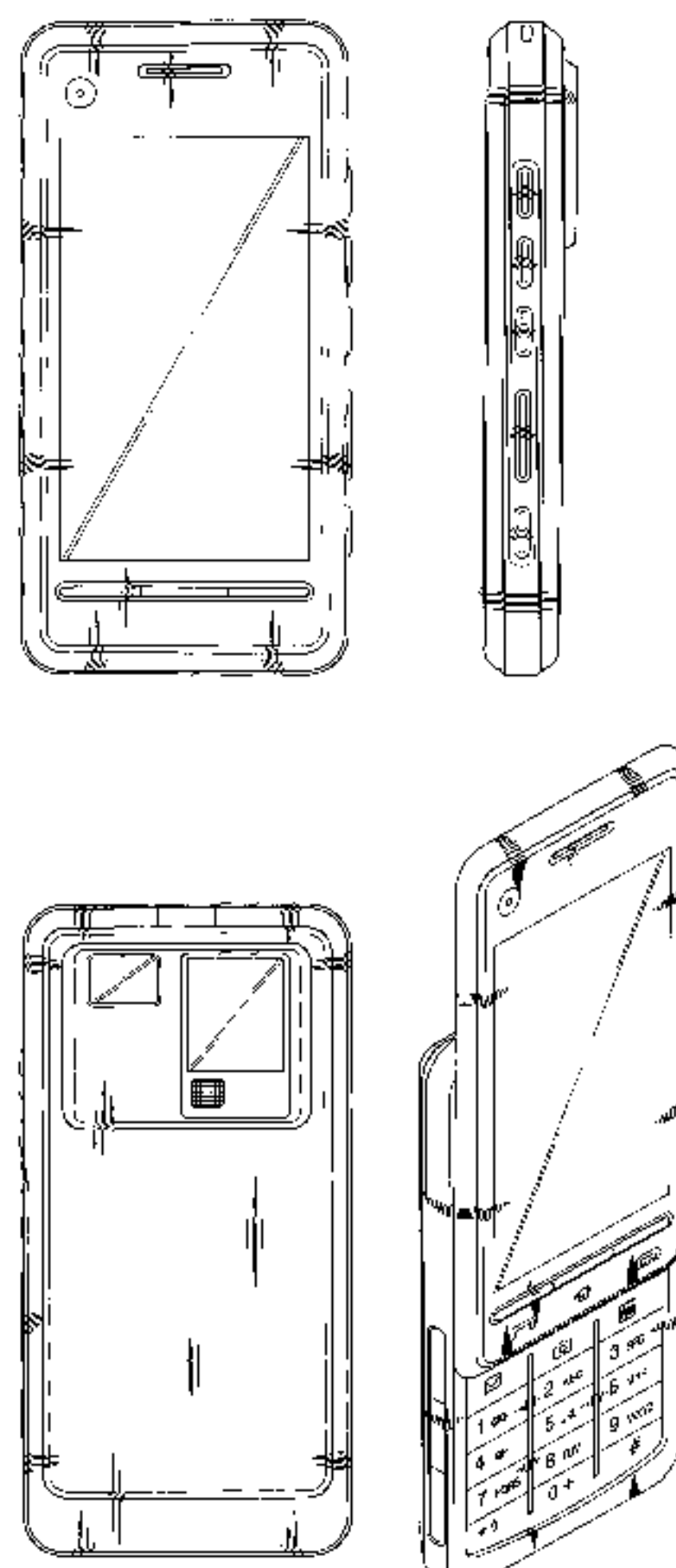
(57) **CLAIM**

The ornamental design for a mobile phone, as shown and described.

DESCRIPTION

FIG. 1 is a perspective view of a mobile phone;
FIG. 2 is a front view of the mobile phone of FIG. 1;
FIG. 3 is a rear view of the mobile phone of FIG. 1;
FIG. 4 is a left-side view of the mobile phone of FIG. 1;
FIG. 5 is a right-side view of the mobile phone of FIG. 1;
FIG. 6 is a top plan view of the mobile phone of FIG. 1;
FIG. 7 is a bottom plan view of the mobile phone of FIG. 1;
and,
FIG. 8 is an open perspective view of the mobile phone of FIG. 1 in an in-use condition.

1 Claim, 6 Drawing Sheets



US D579,902 S

Page 2

U.S. PATENT DOCUMENTS

D562,292 S *	2/2008	Park	D14/138	D568,286 S *	5/2008	Suk et al.	D14/138
D563,806 S *	3/2008	Jeon	D10/65	D569,837 S *	5/2008	Baik et al.	D14/138
D563,807 S *	3/2008	Jeon	D10/65	D570,321 S *	6/2008	Choi et al.	D14/138
D563,938 S *	3/2008	Kim et al.	D14/138	D571,235 S *	6/2008	Stevens et al.	D10/65
D565,978 S *	4/2008	Stevens et al.	D10/65	2007/0287512 A1 *	12/2007	Kilpi et al.	455/575.1
D567,819 S *	4/2008	Devericks et al.	D14/496	2008/0070635 A1 *	3/2008	Bang et al.	455/566
					2008/0119237 A1 *	5/2008	Kim	455/566

* cited by examiner

FIG. 1

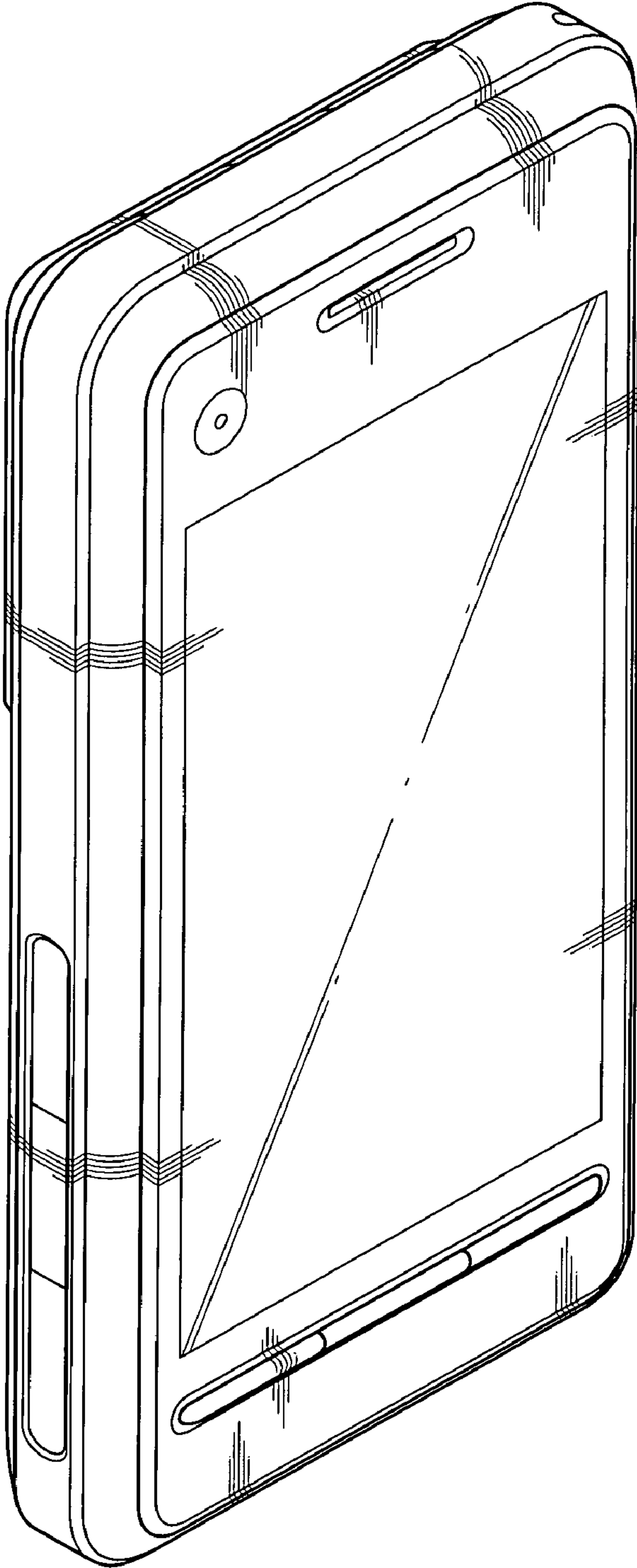


FIG. 2

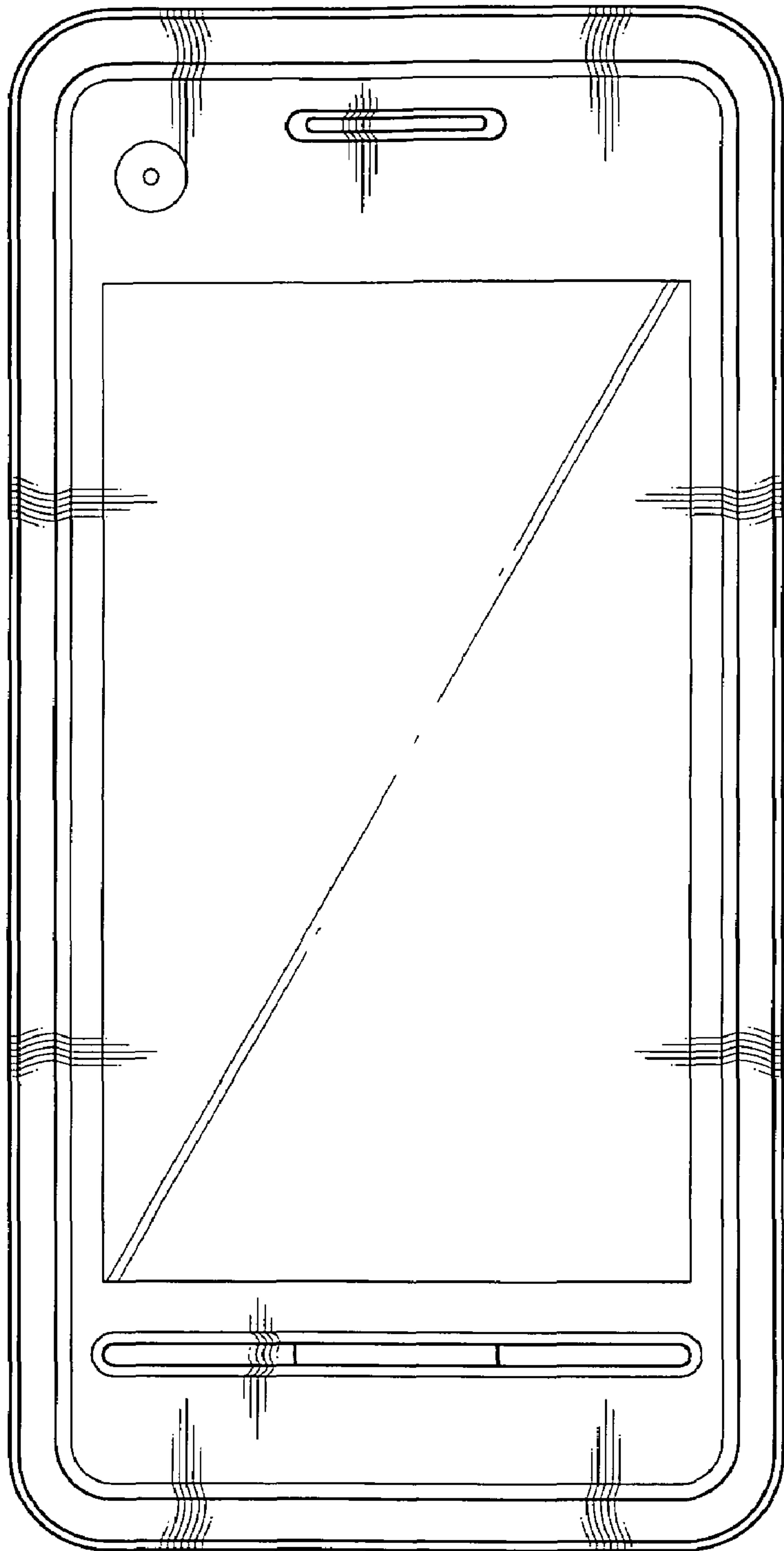


FIG. 3

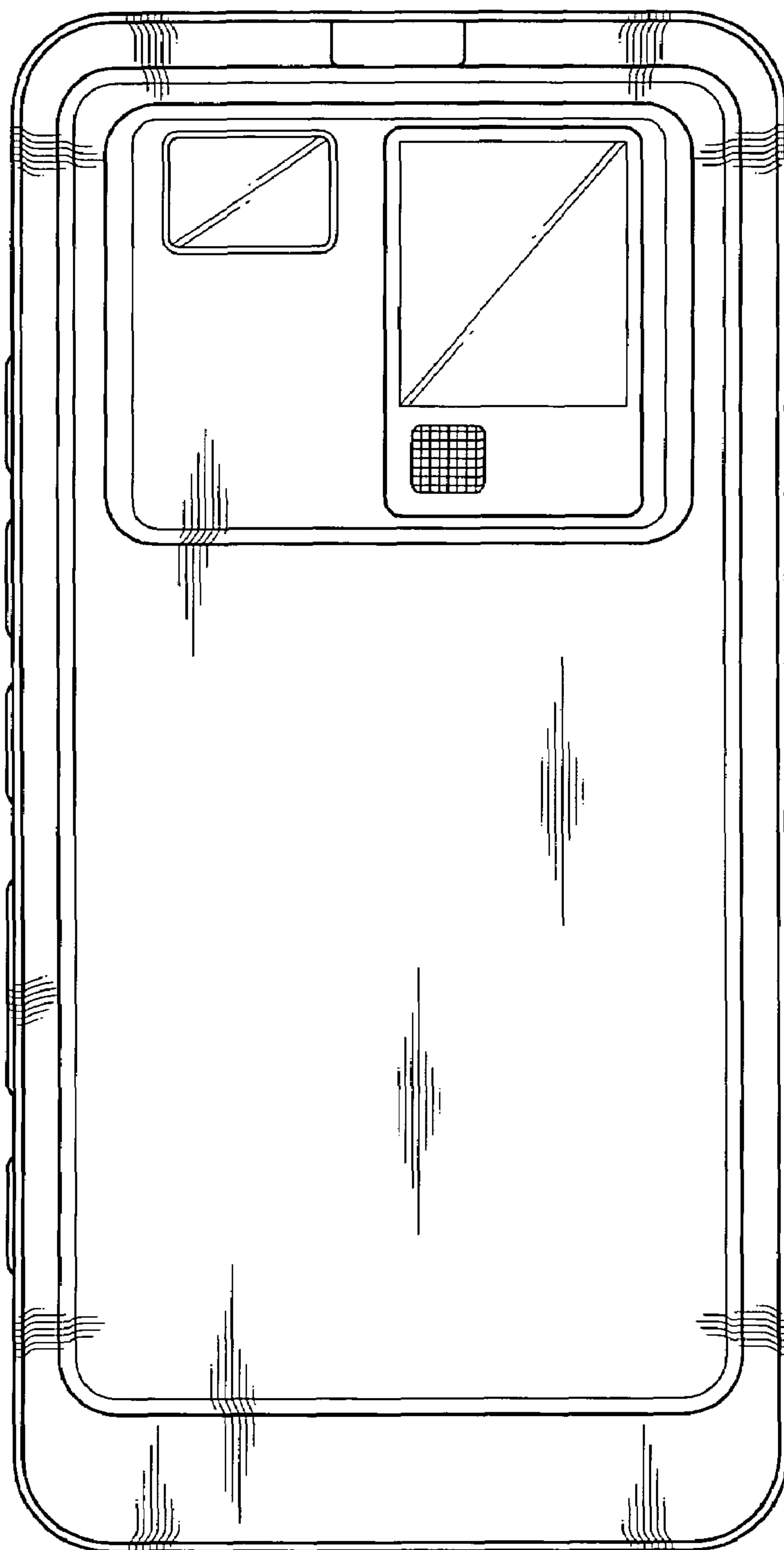


FIG. 4

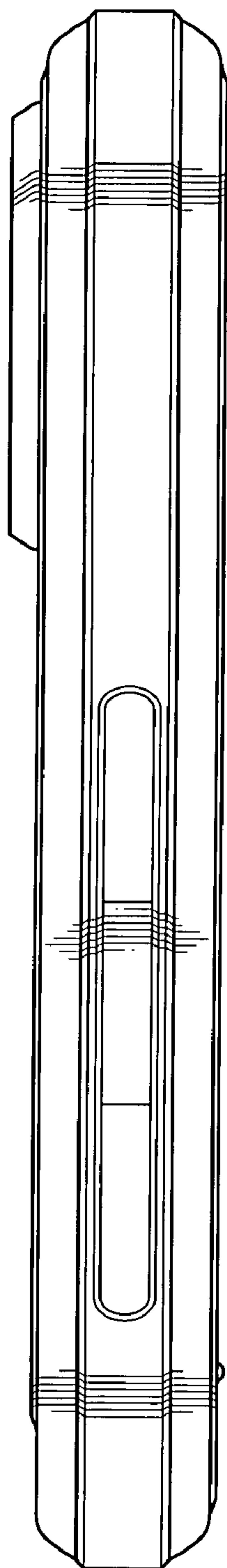


FIG. 5

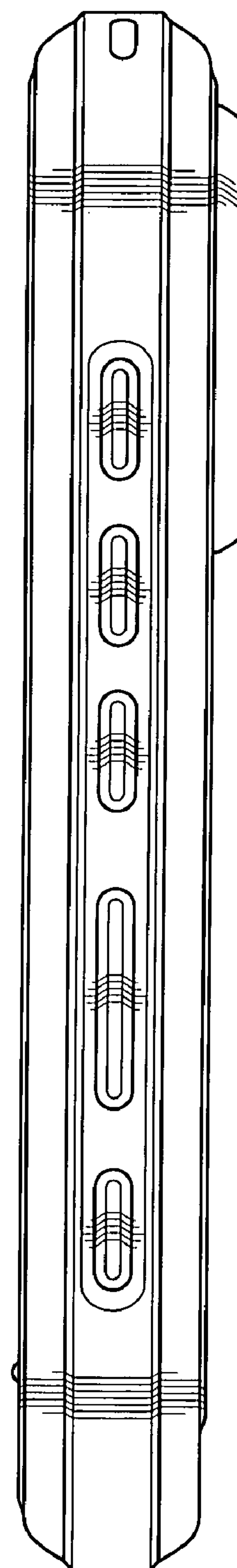


FIG. 6

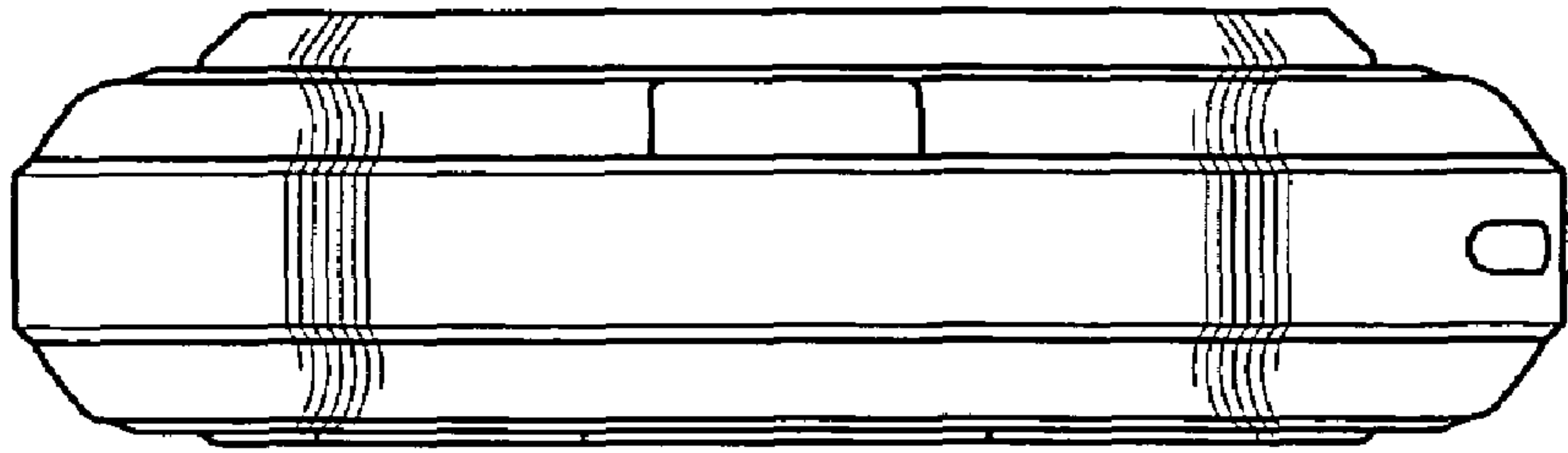


FIG. 7

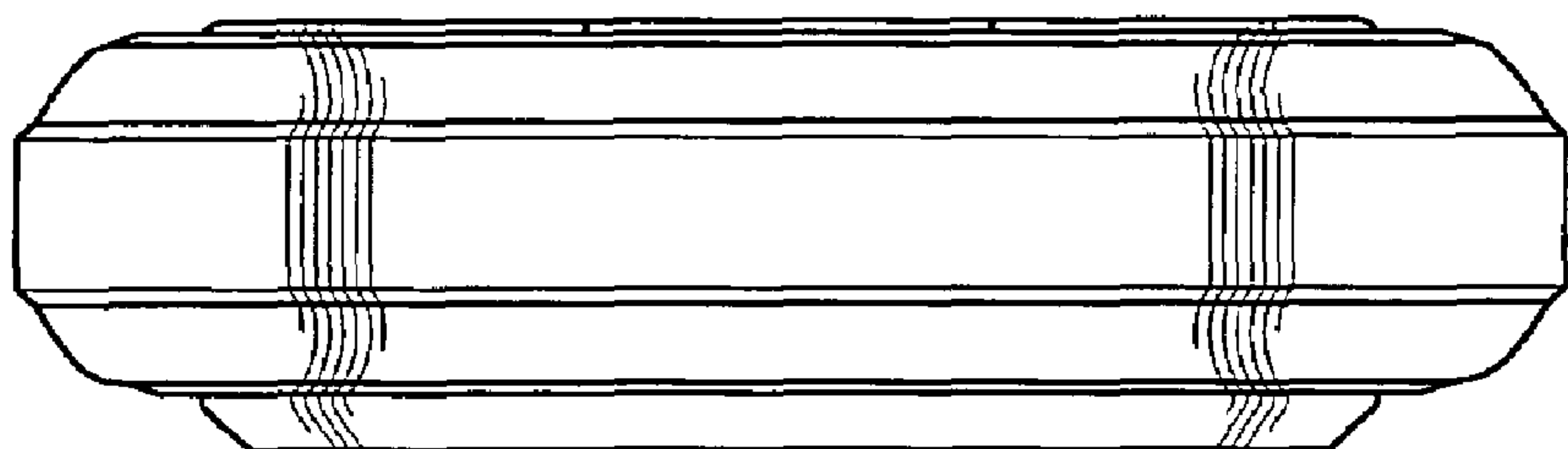


FIG. 8

