



US00D579900S

(12) **United States Design Patent**
Jeung et al.

(10) **Patent No.:** **US D579,900 S**
(45) **Date of Patent:** **** Nov. 4, 2008**

(54) **MOBILE PHONE**

(75) Inventors: **Jong-Yun Jeung**, Bucheon-si (KR);
Nam-Mi Kim, Seoul (KR)

(73) Assignee: **Samsung Electronics Co., Ltd.**,
Suwon-Si (KR)

(**) Term: **14 Years**

(21) Appl. No.: **29/290,837**

(22) Filed: **Jan. 18, 2008**

(30) **Foreign Application Priority Data**

Oct. 10, 2007 (KR) 30-2007-0042179

(51) **LOC (8) Cl.** **14-03**

(52) **U.S. Cl.** **D14/138**

(58) **Field of Classification Search** D14/137,
D14/138, 147, 191, 218, 247-248, 341-347,
D14/496; D10/65, 78, 104; D13/168; D18/7;
455/556.1, 566, 575.1, 575.3; 345/169

See application file for complete search history.

(56) **References Cited**

U.S. PATENT DOCUMENTS

D503,164 S *	3/2005	Park et al.	D14/138
D508,240 S *	8/2005	Lee et al.	D14/138
D511,342 S *	11/2005	Chien	D14/346
D526,302 S *	8/2006	Kim	D14/138
D527,364 S *	8/2006	Lee et al.	D14/138
D528,532 S *	9/2006	Dimitriadis et al.	D14/138
D531,610 S *	11/2006	Kim et al.	D14/138
D532,425 S *	11/2006	Kim	D14/496
D534,516 S *	1/2007	Lheem	D14/138
D536,691 S *	2/2007	Park	D14/138
D547,330 S *	7/2007	Lee	D14/496
D548,715 S *	8/2007	Lee et al.	D14/138
D552,581 S *	10/2007	Lee et al.	D14/138
D553,599 S *	10/2007	Lee et al.	D14/138
D557,238 S *	12/2007	Kim	D14/138
D561,204 S *	2/2008	Toh	D14/496
D562,793 S *	2/2008	Kim et al.	D14/138
D563,369 S *	3/2008	Kim et al.	D14/138

D563,929 S *	3/2008	Park	D14/138
D567,791 S *	4/2008	Chung et al.	D14/138
D568,861 S *	5/2008	Kim et al.	D14/138
D569,830 S *	5/2008	Kwak	D14/138
D570,815 S *	6/2008	Son et al.	D14/138
D571,824 S *	6/2008	Ledbetter et al.	D14/496
2005/0176479 A1 *	8/2005	Bae et al.	455/575.4
2007/0021160 A1 *	1/2007	Li	455/575.4

FOREIGN PATENT DOCUMENTS

JP D1247840 8/2005

OTHER PUBLICATIONS

Bird D736, announced 2007, [online], [retrieved on Aug. 6, 2007]. Retrieved from Internet ,<URL: http://www.gsmarena.com>.*
HP iPAQ rw6818, announced 2nd quarter 2006, [online], [retrieved on Feb. 20, 2007]. Retrieved from Internet ,<URL: http://www.gsmarena.com>.*

(Continued)

Primary Examiner—Jeffrey D. Asch
Assistant Examiner—Bridget L Eland
(74) *Attorney, Agent, or Firm*—Staas & Halsey LLP

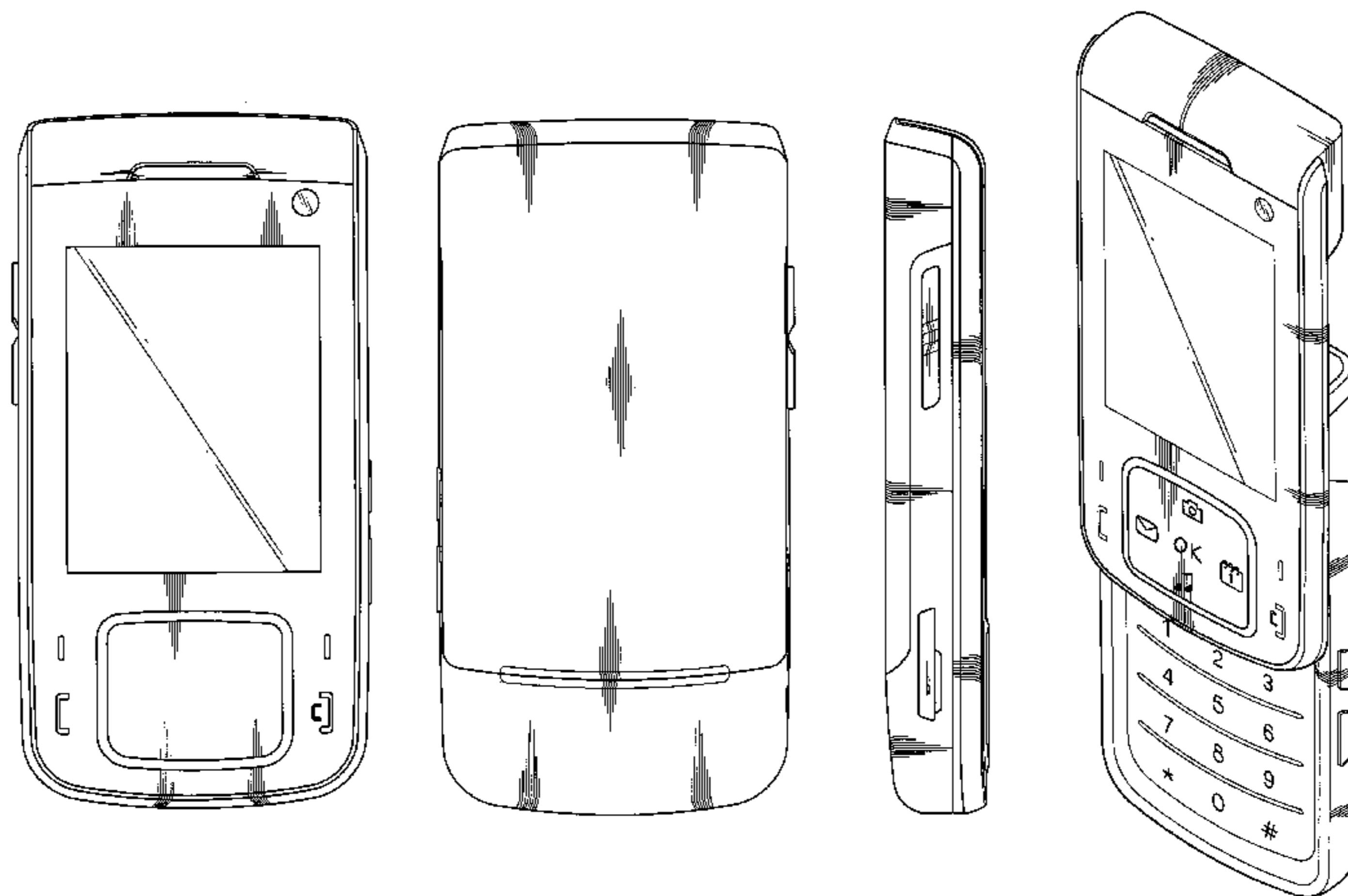
(57) **CLAIM**

The ornamental design for a mobile phone, as shown and described.

DESCRIPTION

FIG. 1 is a perspective view of a mobile phone;
FIG. 2 is a front view of the mobile phone of FIG. 1;
FIG. 3 is a rear view of the mobile phone of FIG. 1;
FIG. 4 is a left-side view of the mobile phone of FIG. 1;
FIG. 5 is a right-side view of the mobile phone of FIG. 1;
FIG. 6 is a top plan view of the mobile phone of FIG. 1;
FIG. 7 is a bottom plan view of the mobile phone of FIG. 1;
and,
FIG. 8 is an open perspective view of the mobile phone of FIG. 1, showing the function button area in operation.

1 Claim, 6 Drawing Sheets



OTHER PUBLICATIONS

LG KG800, announced Mar. 2006, [online], [retrieved on Feb. 20, 2007]. Retrieved from Internet ,<URL: <http://www.gsmarena.com>>.*

InnoStream Inno P10, announced Jun. 2005, [online], [retrieved on Feb. 20, 2007]. Retrieved from Internet ,<URL: <http://www.gsmarena.com>>.*

LG KG290, announced Sep. 2007, [online], [retrieved on Dec. 13, 2007]. Retrieved from Internet ,<URL: <http://www.gsmarena.com>>.*

Samsung E950, announced Jun. 2007, [online], [retrieved on Aug. 6, 2007]. Retrieved from Internet ,<URL: <http://www.gsmarena.com>>.*

Samsung M610, announced Oct. 2007, [online], [retrieved on Dec. 13, 2007]. Retrieved from Internet ,<URL: <http://www.gsmarena.com>>.*

Office Action mailed on May 14, 2008 and issued in corresponding Japanese Design Patent Application No. 2008-000921.

* cited by examiner

FIG. 1

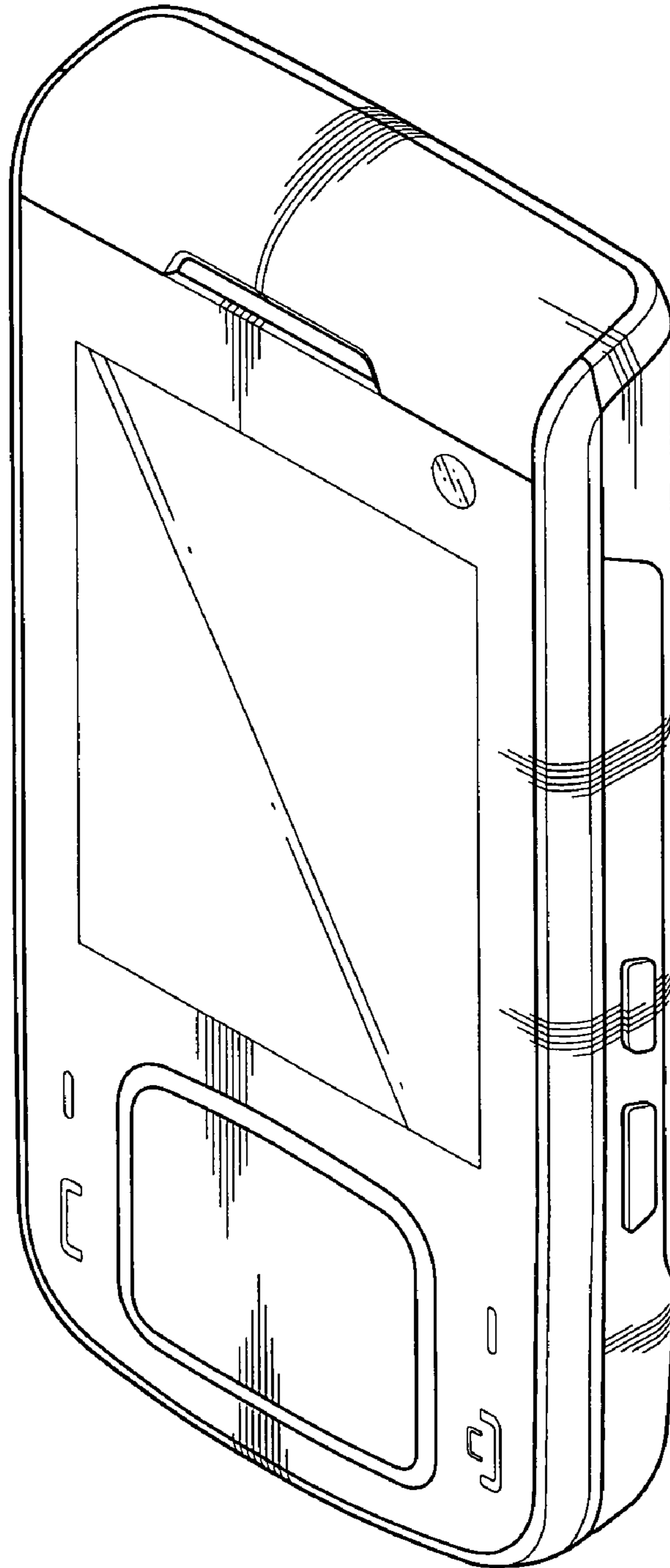


FIG.2

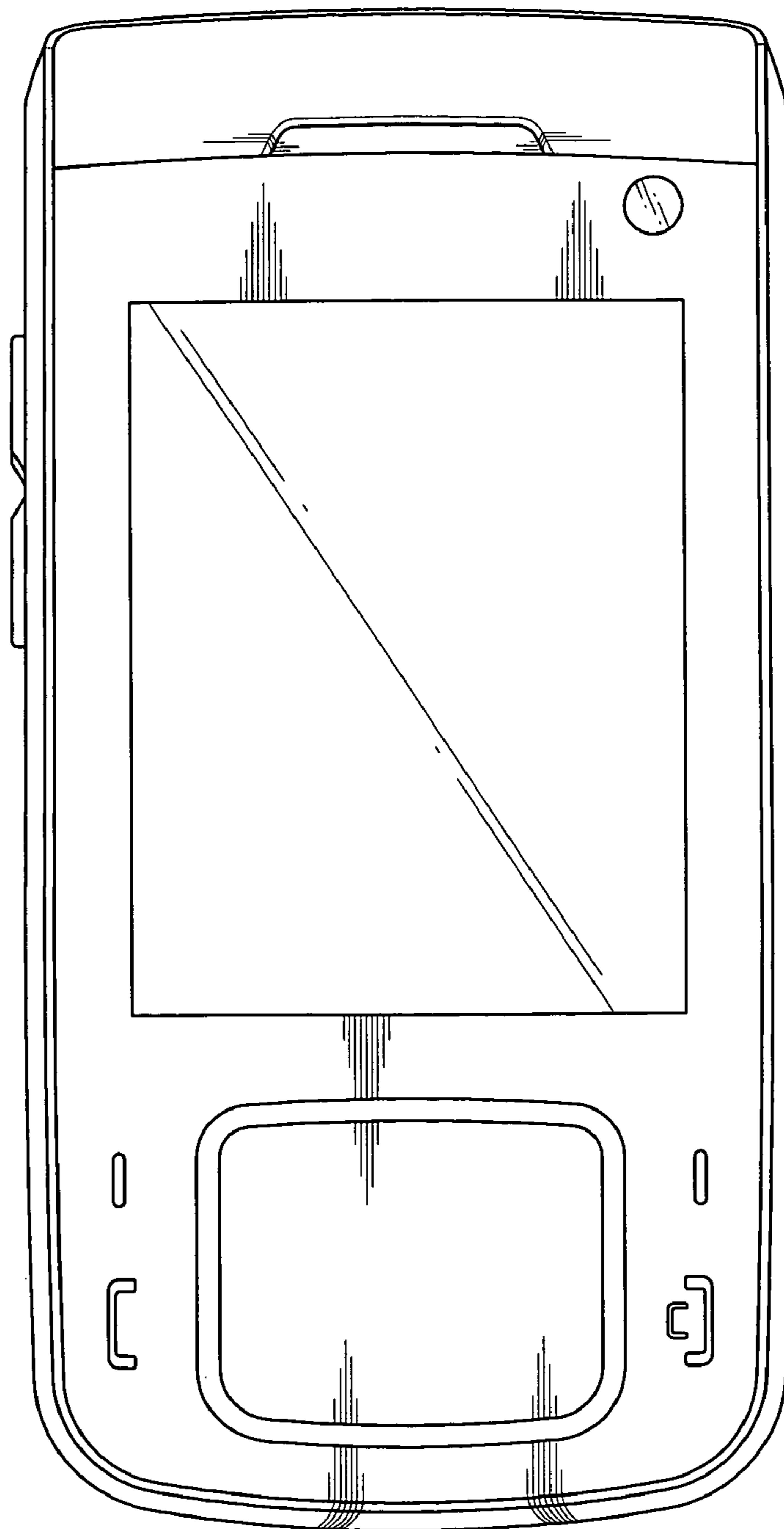


FIG.3

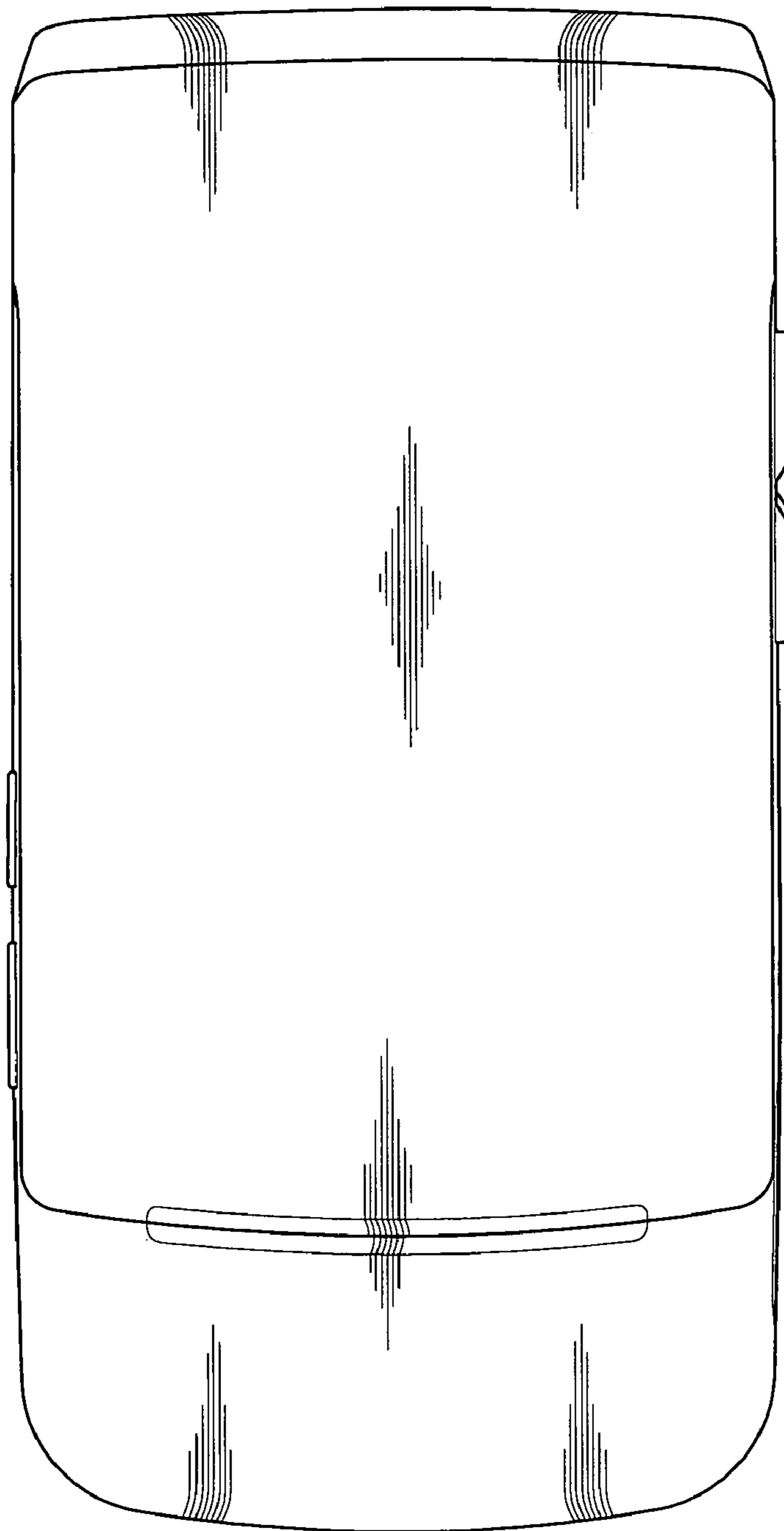


FIG.4

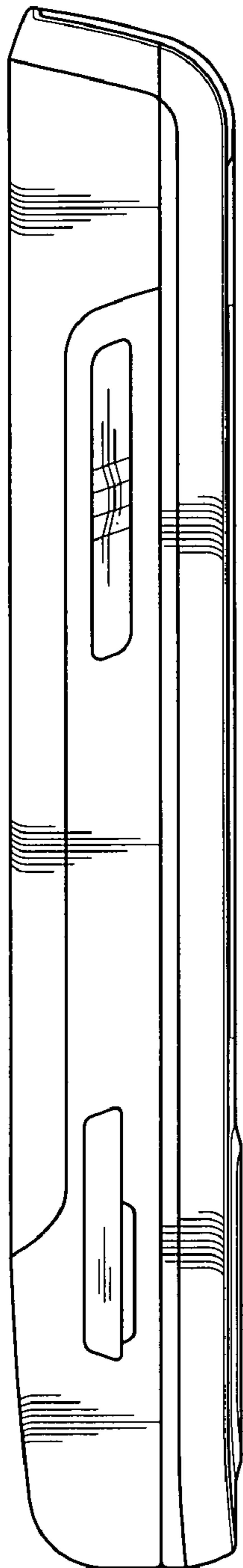


FIG.5

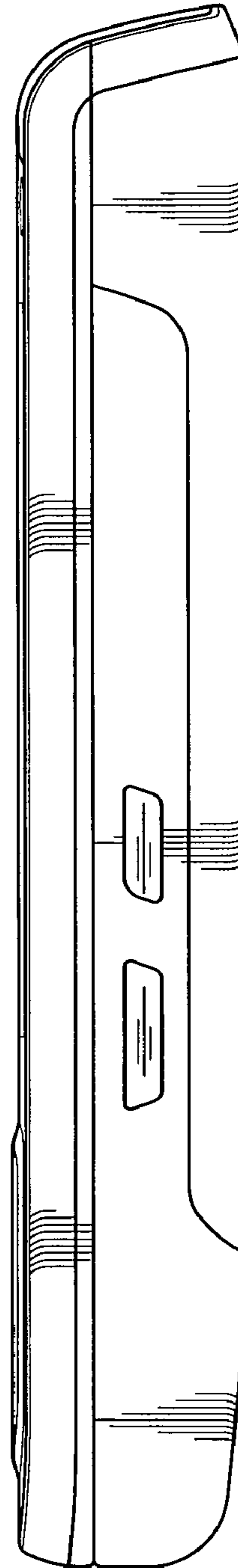


FIG.6

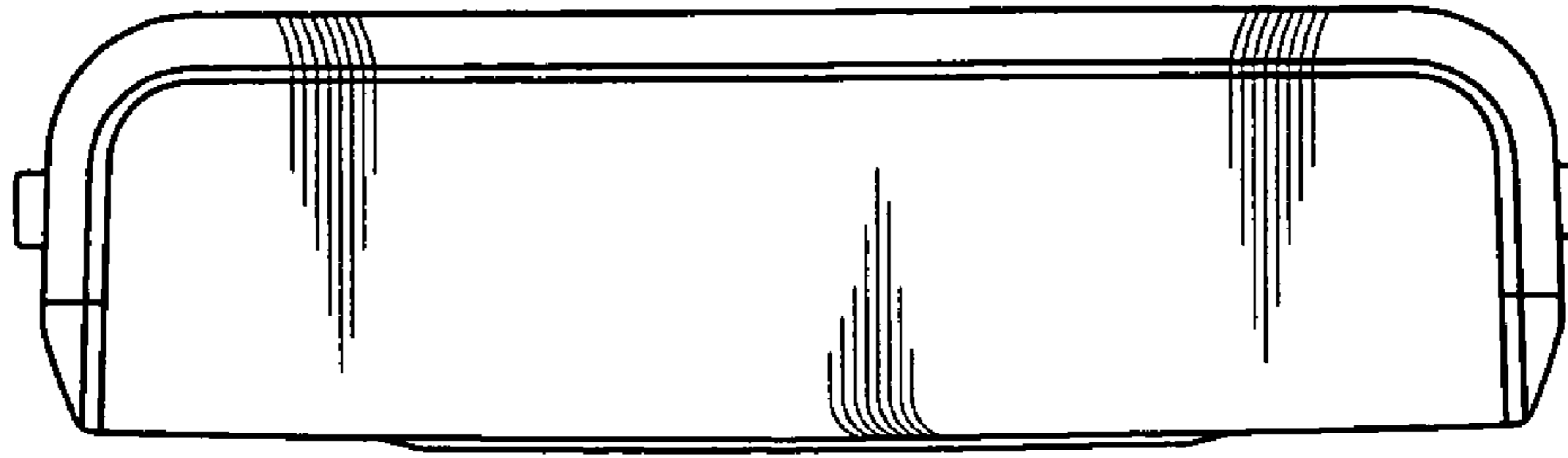


FIG.7

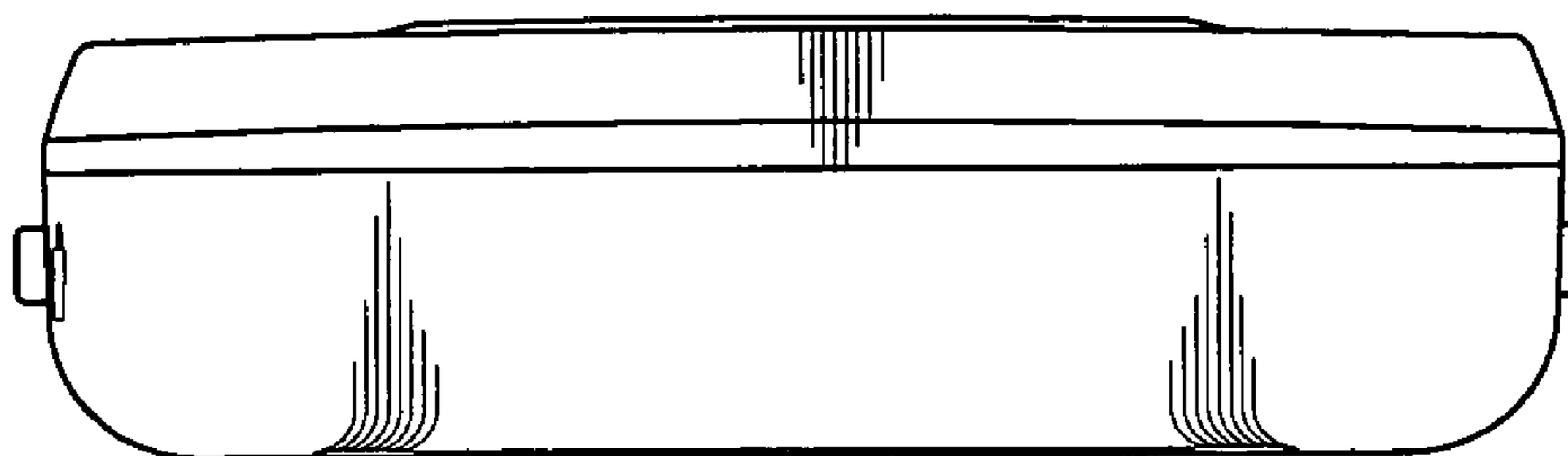


FIG.8

