



US00D579888S

(12) **United States Design Patent**
Lunde et al.

(10) **Patent No.:** **US D579,888 S**
(45) **Date of Patent:** **** Nov. 4, 2008**

(54) **ENDPOINT FOR VIDEOCONFERENCE**

(76) Inventors: **Finn Helge Lunde**, Bergstein 18, Kirkenes (NO) N-9900; **Hallgrim Sagen**, Korsvollbakken 1A, Oslo (NO) N-0880; **Daneel Robert Klanderman**, 13219 Presmont La., Fairfax, VA (US) 22033; **Peter Pistilli**, 20403 Baseline Ter., Ashburn, VA (US) 20147; **Tony Mines**, 46457 Montgomery Pl., Sterling, VA (US) 20165; **Robert Flesher**, 611 E. Seminary Ave., Towson, MD (US) 21286; **Stephen Bretherton**, 127 Great Falls St., Fall Church, VA (US) 22046; **Peter Kim**, 43087 Barons St., South Riding, VA (US) 20152

(**) Term: **14 Years**
(21) Appl. No.: **29/297,410**
(22) Filed: **Nov. 9, 2007**

(30) **Foreign Application Priority Data**
May 10, 2007 (NO) 20070295

(51) **LOC (8) Cl.** **14-03**
(52) **U.S. Cl.** **D14/127**
(58) **Field of Classification Search** D14/125-134, D14/239, 371, 136, 374-377, 440, 450, 448, D14/336, 342; 312/7.2; 348/836, 838, 180, 348/184, 325, 739; 341/12; 248/917-924, 248/465; 345/104, 133, 156, 168, 87, 173; 720/605, 669, 600, 655; 369/99, 197; 455/344, 455/347; D21/329, 515, 577, 622, 333, 433, D21/448, 452, 450, 331; D6/477, 479; 273/148 B; 446/484, 175, 356; D10/15, 26; D12/415-418, D12/345; 180/90

See application file for complete search history.

(56) **References Cited**
U.S. PATENT DOCUMENTS
5,687,939 A * 11/1997 Moscovitch 248/122.1

D448,024 S * 9/2001 Kim D14/337
D453,157 S * 1/2002 Kim D14/337
6,343,006 B1 * 1/2002 Moscovitch et al. 361/681
6,771,303 B2 * 8/2004 Zhang et al. 348/14.16
D496,746 S * 9/2004 Herst et al. D26/76
D499,704 S * 12/2004 Song D14/127
6,844,865 B2 * 1/2005 Stasko 345/1.3
D507,270 S * 7/2005 Ozolins et al. D14/375
D510,920 S * 10/2005 Tandberg et al. D14/127
7,061,754 B2 * 6/2006 Moscovitch 361/683
7,331,551 B2 * 2/2008 Oddsen, Jr. 248/917
D563,917 S * 3/2008 Kobayashi et al. D14/127

* cited by examiner

Primary Examiner—Raphael Barkai
(74) *Attorney, Agent, or Firm*—Oblon, Spivak, McClelland, Maier & Neustadt, P.C.

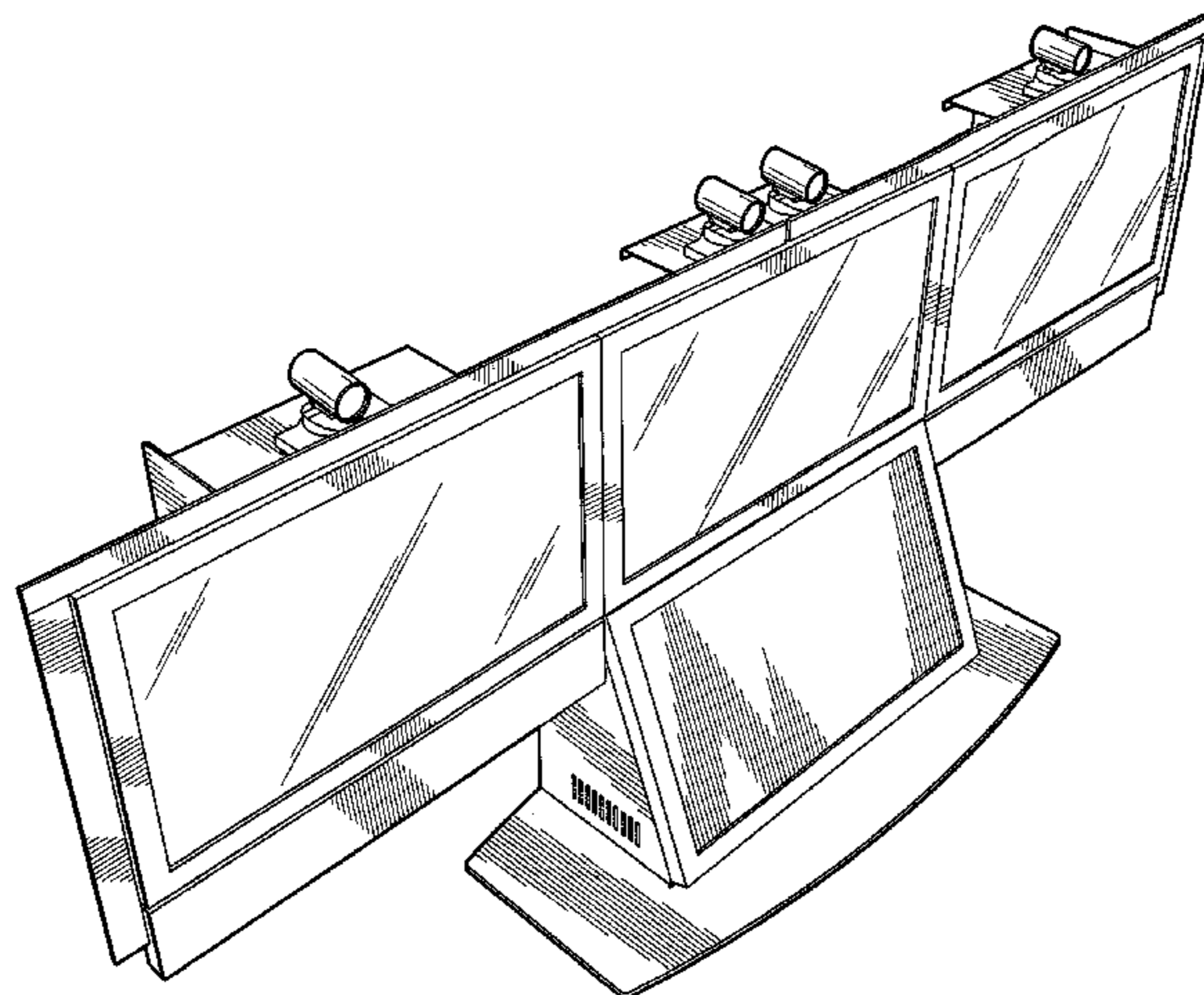
(57) **CLAIM**

The ornamental design for a endpoint for videoconference, as shown and described.

DESCRIPTION

FIG. 1 is a front view of a endpoint for videoconference, showing my design;
FIG. 2 is a rear view thereof;
FIG. 3 is a right side view thereof;
FIG. 4 is a left side view thereof;
FIG. 5 is a top view thereof;
FIG. 6 is bottom view thereof;
FIG. 7 is top and left front perspective view thereof; and,
FIG. 8 is a top and right rear perspective view of the endpoint for videoconference.

1 Claim, 8 Drawing Sheets



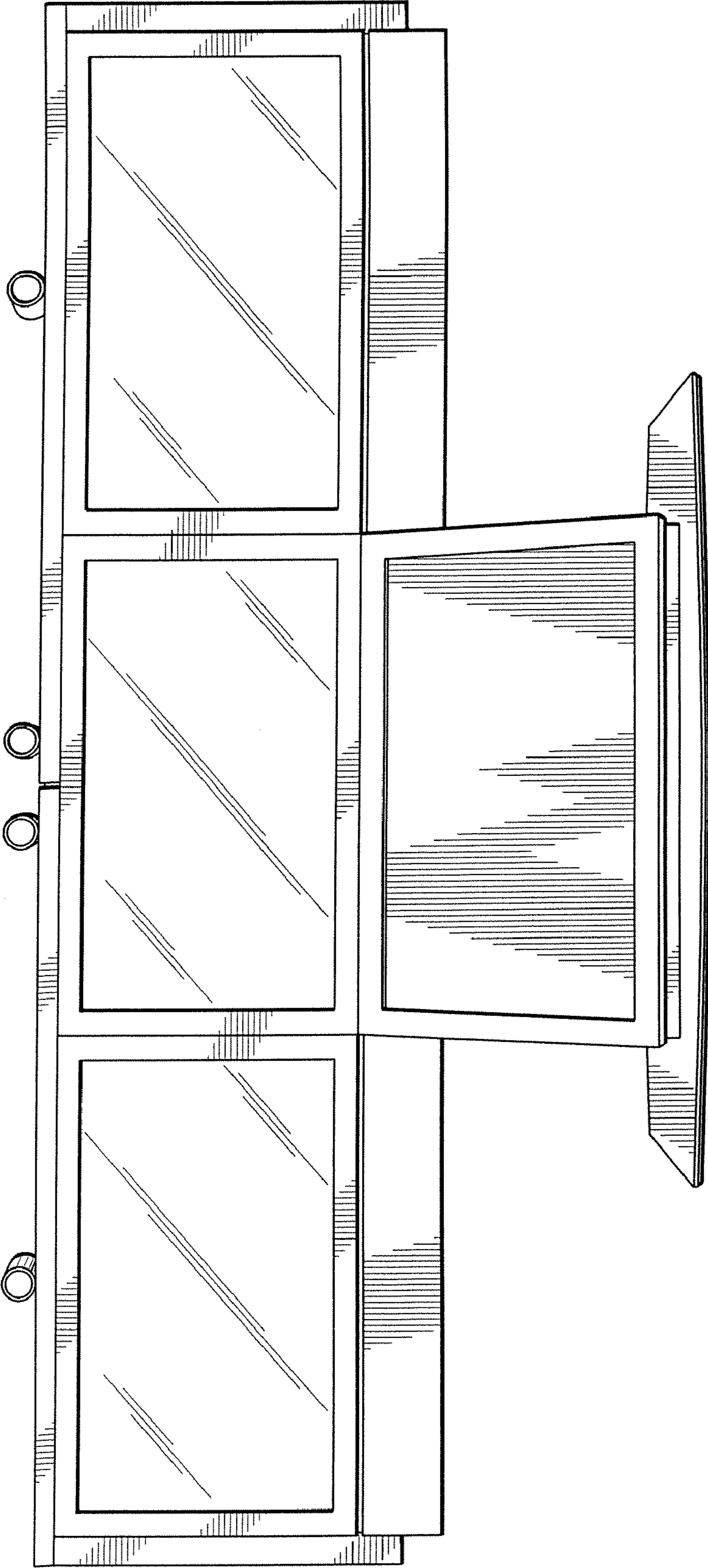


Fig. 1

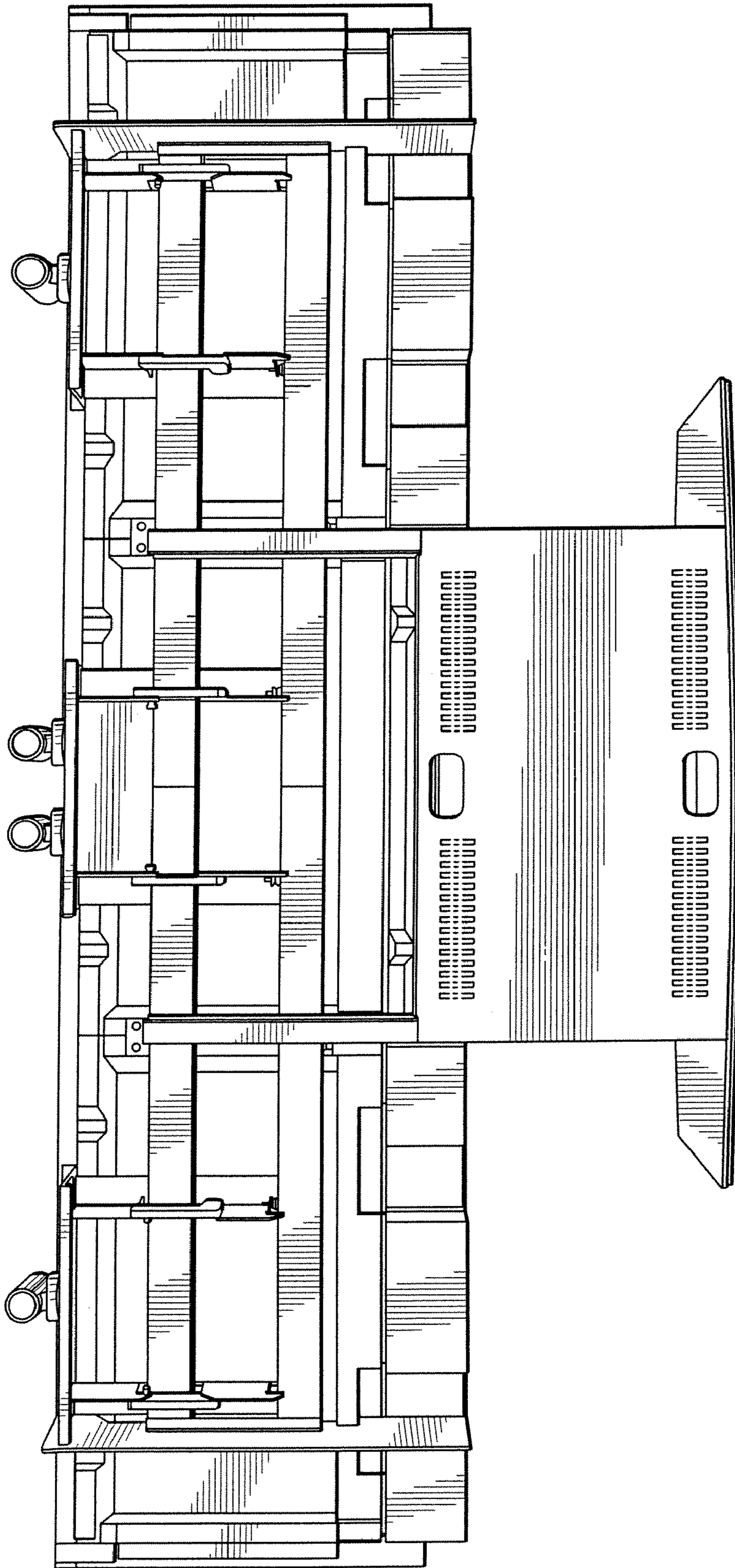


Fig. 2

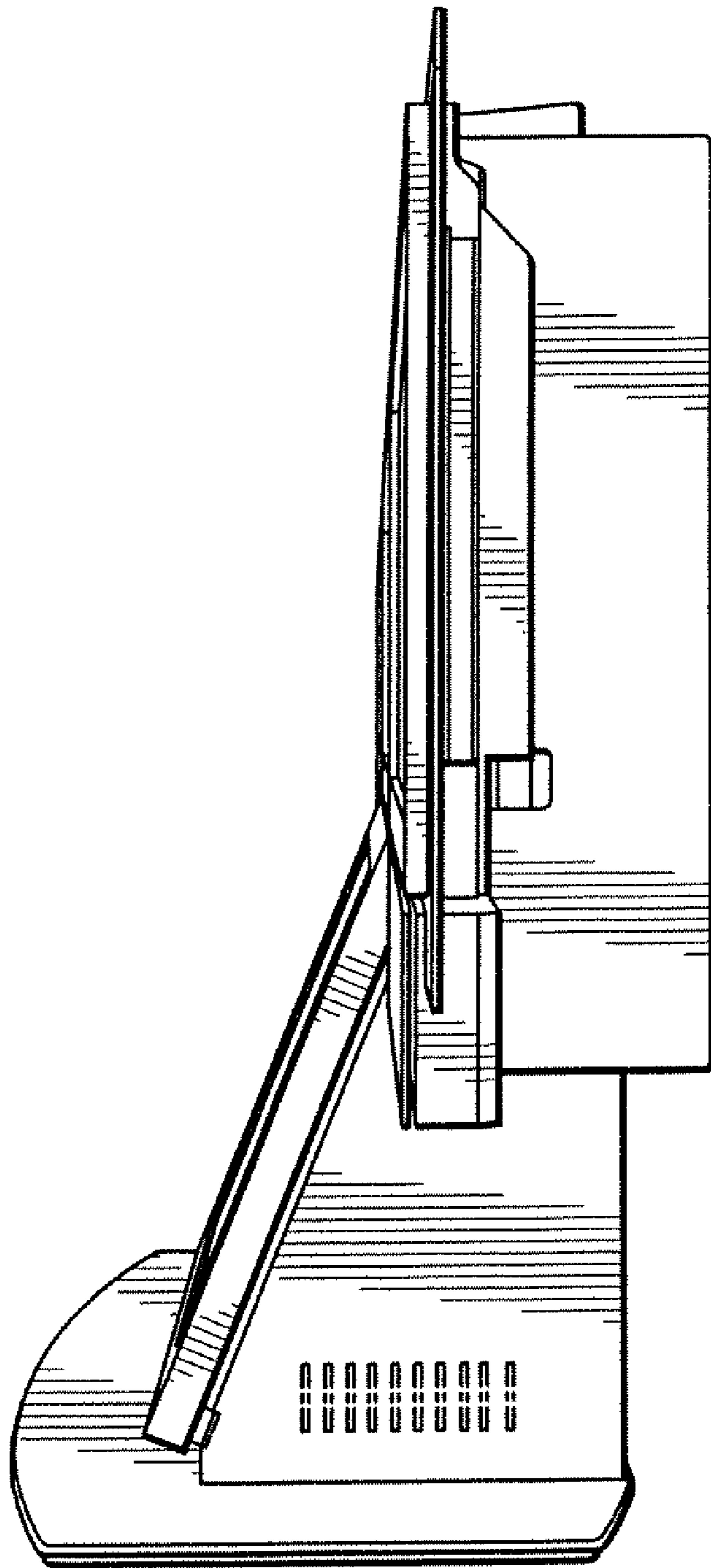


Fig. 3

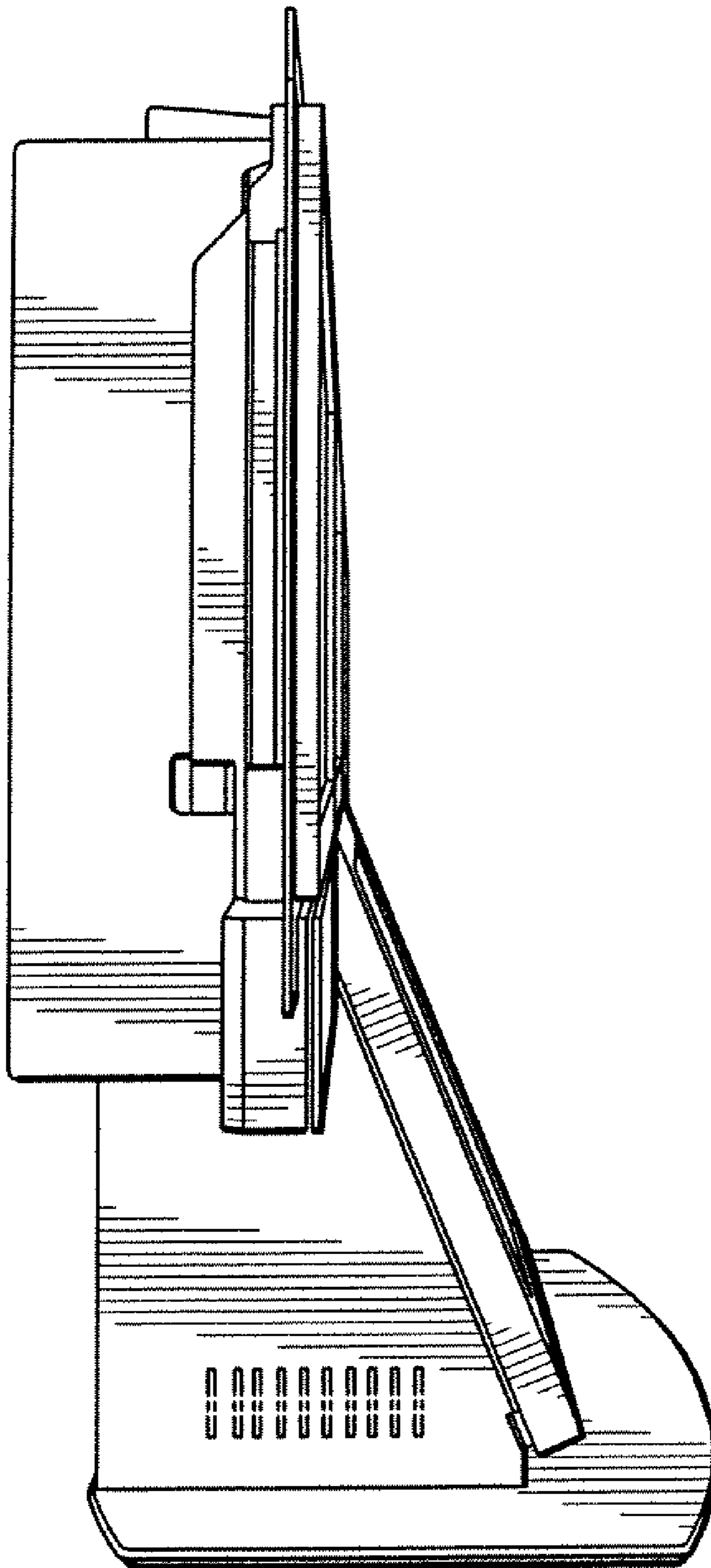


Fig. 4

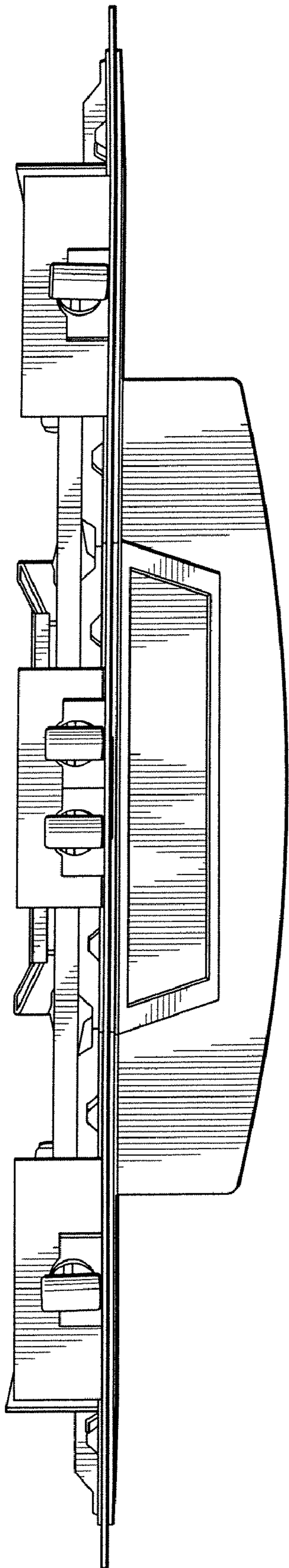


Fig. 5

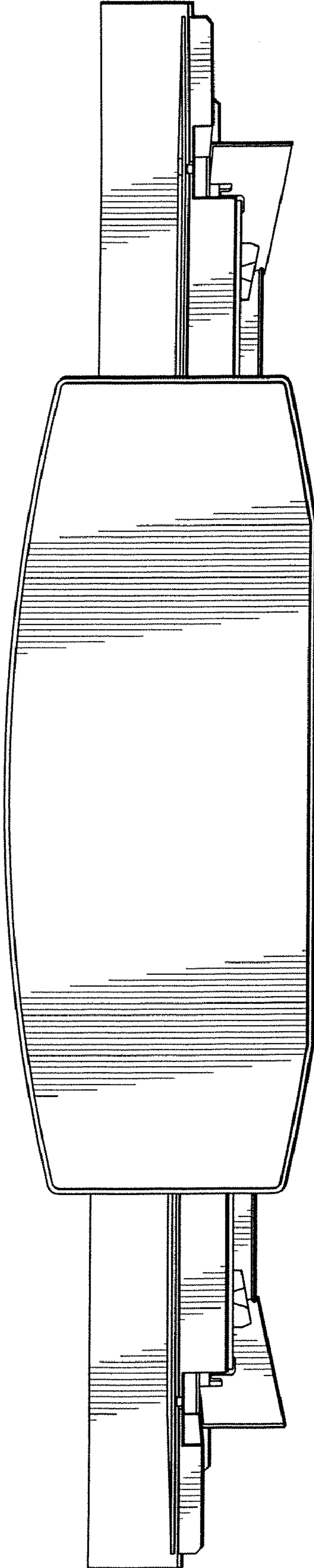


Fig. 6

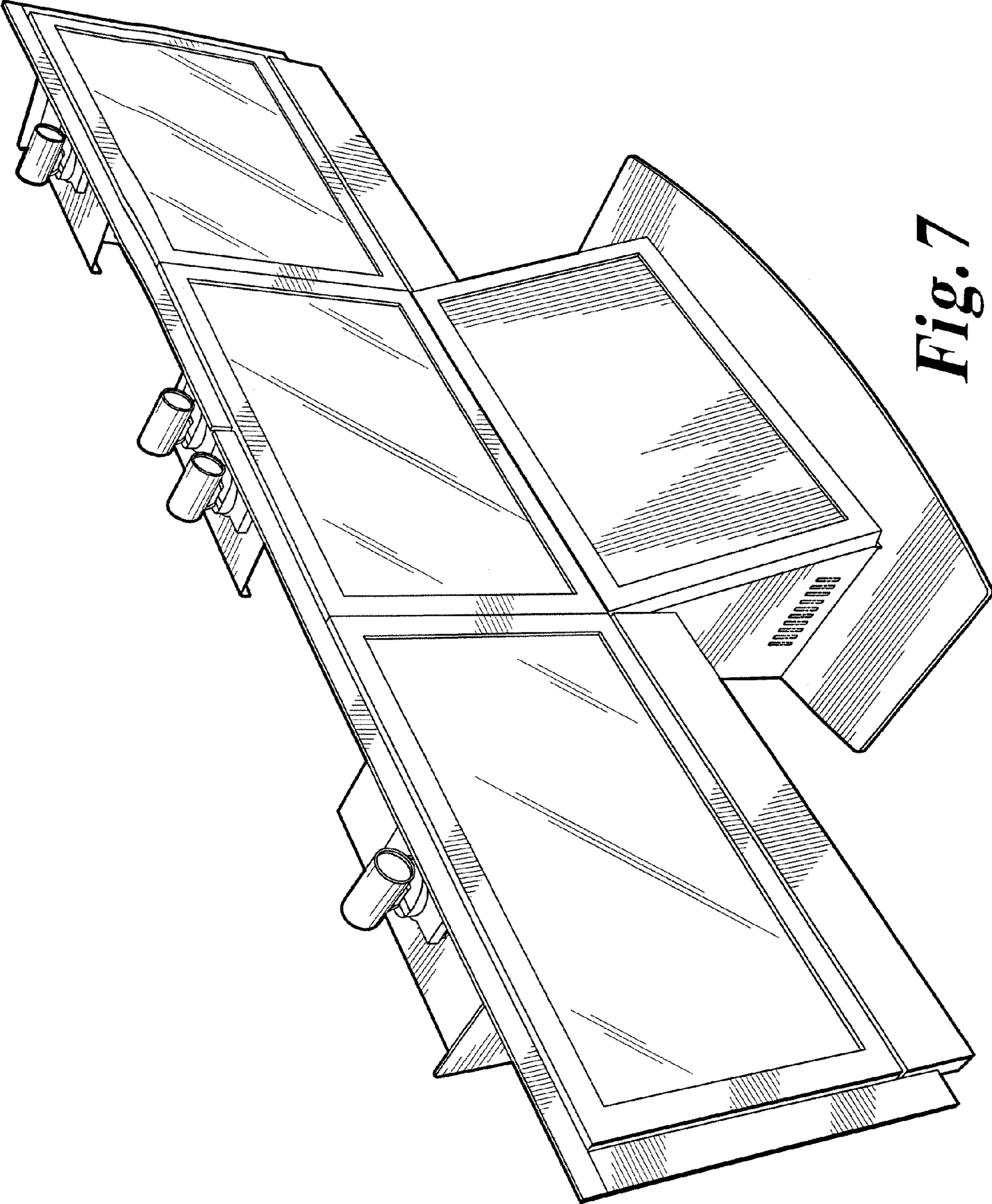


Fig. 7

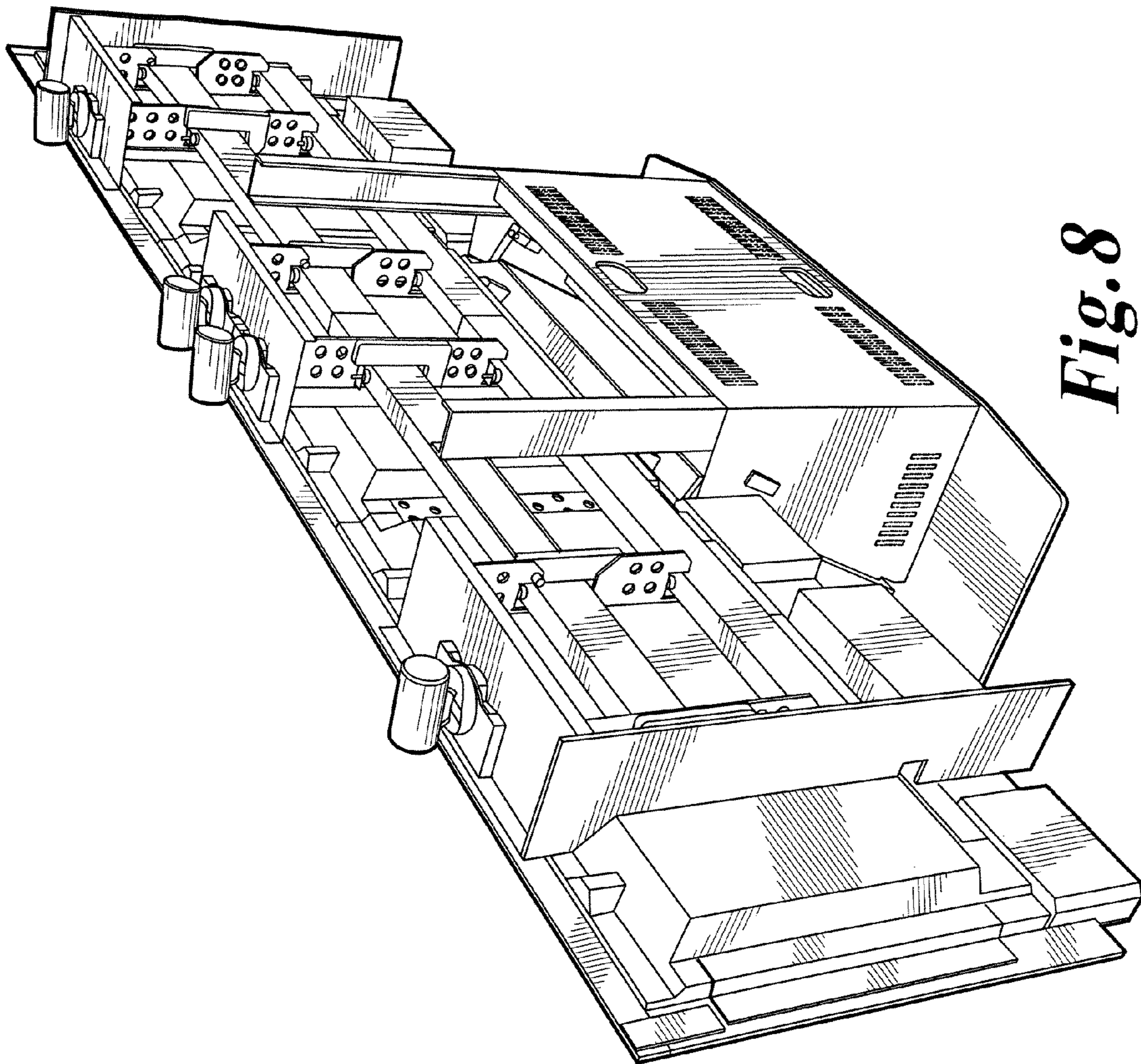


Fig. 8

UNITED STATES PATENT AND TRADEMARK OFFICE
CERTIFICATE OF CORRECTION

PATENT NO. : Des. 579,888 S
APPLICATION NO. : 29/297410
DATED : November 9, 2007
INVENTOR(S) : Finn Helge Lunde et al.

Page 1 of 1

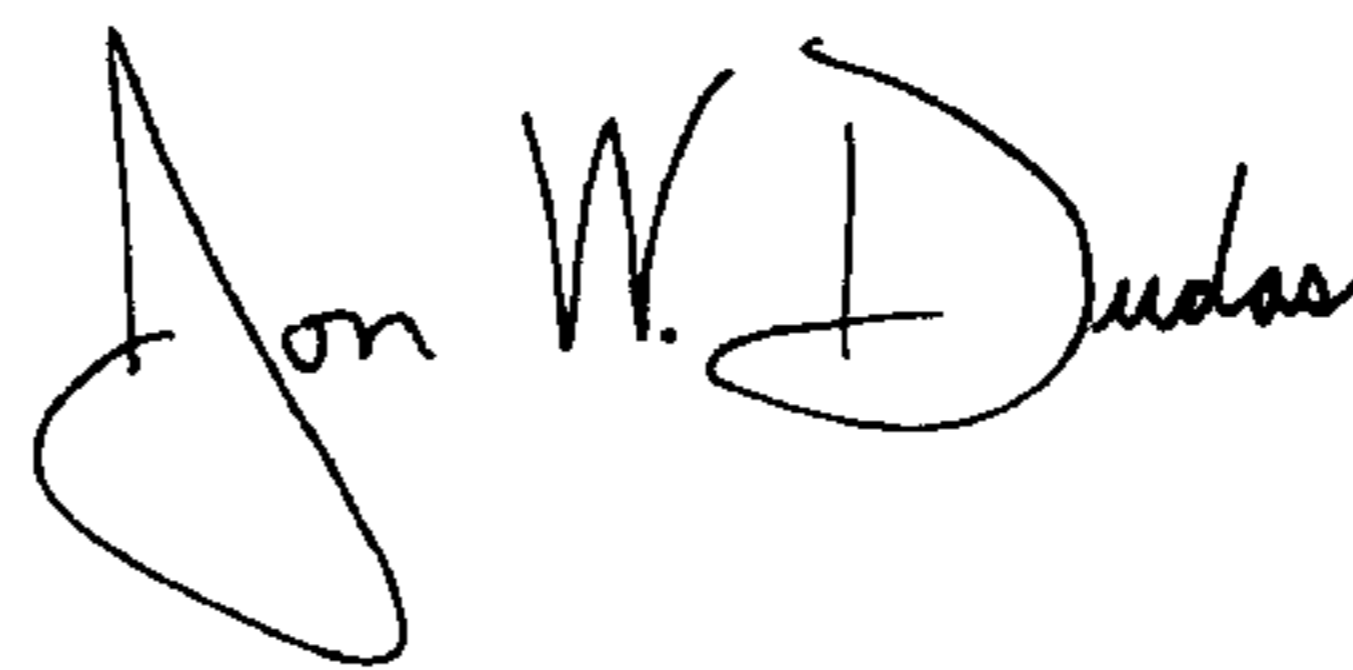
It is certified that error appears in the above-identified patent and that said Letters Patent is hereby corrected as shown below:

On the title page, item (73), add:

-- (73) Assignee: Tandberg Telecom AS
Lysaker, NORWAY --

Signed and Sealed this

Ninth Day of December, 2008



JON W. DUDAS
Director of the United States Patent and Trademark Office

UNITED STATES PATENT AND TRADEMARK OFFICE
CERTIFICATE OF CORRECTION

PATENT NO. : Des. 579,888 S
APPLICATION NO. : 29/297410
DATED : November 4, 2008
INVENTOR(S) : Finn Helge Lunde et al.

Page 1 of 1

It is certified that error appears in the above-identified patent and that said Letters Patent is hereby corrected as shown below:

On the title page, item (73), add:

-- (73) Assignee: Tandberg Telecom AS
Lysaker, NORWAY --

This certificate supersedes the Certificate of Correction issued December 9, 2008.

Signed and Sealed this

Thirtieth Day of December, 2008



JON W. DUDAS
Director of the United States Patent and Trademark Office