



US00D579887S

(12) **United States Design Patent**
Yamane et al.

(10) **Patent No.:** **US D579,887 S**
(45) **Date of Patent:** **** Nov. 4, 2008**

(54) **VIDEO RECORDER/PLAYER**

(75) Inventors: **Akira Yamane**, Nagoya (JP); **Takeshi Yoshida**, Nagoya (JP); **Tetsuro Kato**, Nagoya (JP)

(73) Assignee: **Elmo Co., Ltd.**, Aichi (JP)

(**) Term: **14 Years**

(21) Appl. No.: **29/264,836**

(22) Filed: **Aug. 18, 2006**

(30) **Foreign Application Priority Data**

Feb. 28, 2006 (JP) 2006-004821

(51) **LOC (8) Cl.** **14-03**

(52) **U.S. Cl.** **D14/127; D16/202**

(58) **Field of Classification Search** D14/125-134, D14/239, 371, 136, 374-377, 440, 450, 448, D14/336, 342; 312/7.2; 348/836, 838, 180, 348/184, 325, 739; 341/12; 248/917-924, 248/465; 345/104, 133, 156, 168, 87, 173; 720/605, 669, 600, 655; 369/99, 197; D21/329, D21/515, 577, 622, 333, 433, 448, 452, 450, D21/331; D6/477, 479; 273/148 B; 446/484, 446/175, 356; D10/15, 26; D16/202

See application file for complete search history.

(56) **References Cited**

U.S. PATENT DOCUMENTS

6,175,300 B1 * 1/2001 Kendrick 340/436
6,388,877 B1 * 5/2002 Canova et al. 312/223.2
D463,432 S * 9/2002 Bruckner D14/375
D494,991 S * 8/2004 Yatabe D16/202

D496,678 S * 9/2004 Kawase D16/218
D500,333 S * 12/2004 Hong et al. D16/218
D536,011 S * 1/2007 Dayan D16/208
D541,239 S * 4/2007 Tsai D14/126
D541,771 S * 5/2007 Chung D14/126
D554,684 S * 11/2007 Ogino et al. D16/212
D562,786 S * 2/2008 Zayana D14/126

* cited by examiner

Primary Examiner—Raphael Barkai

(74) *Attorney, Agent, or Firm*—William L. Androlia; H. Henry Koda

(57) **CLAIM**

The ornamental design for a video recorder/player, as shown and described.

DESCRIPTION

FIG. 1 is a front elevational view of the video recorder/player showing our new design;

FIG. 2 is a rear elevational view thereof;

FIG. 3 is a top plan view thereof;

FIG. 4 is a bottom plan view thereof;

FIG. 5 is a right side elevational view thereof;

FIG. 6 is a left side elevational view thereof;

FIG. 7 is a perspective view taken from the rear, top and left side of the video recorder/player; and,

FIG. 8 is a perspective view taken from the rear, top and left side of the video recorder/player to which a video camera is connected that is shown in broken lines for illustrative purposes only, forming no part of the claimed design.

1 Claim, 8 Drawing Sheets

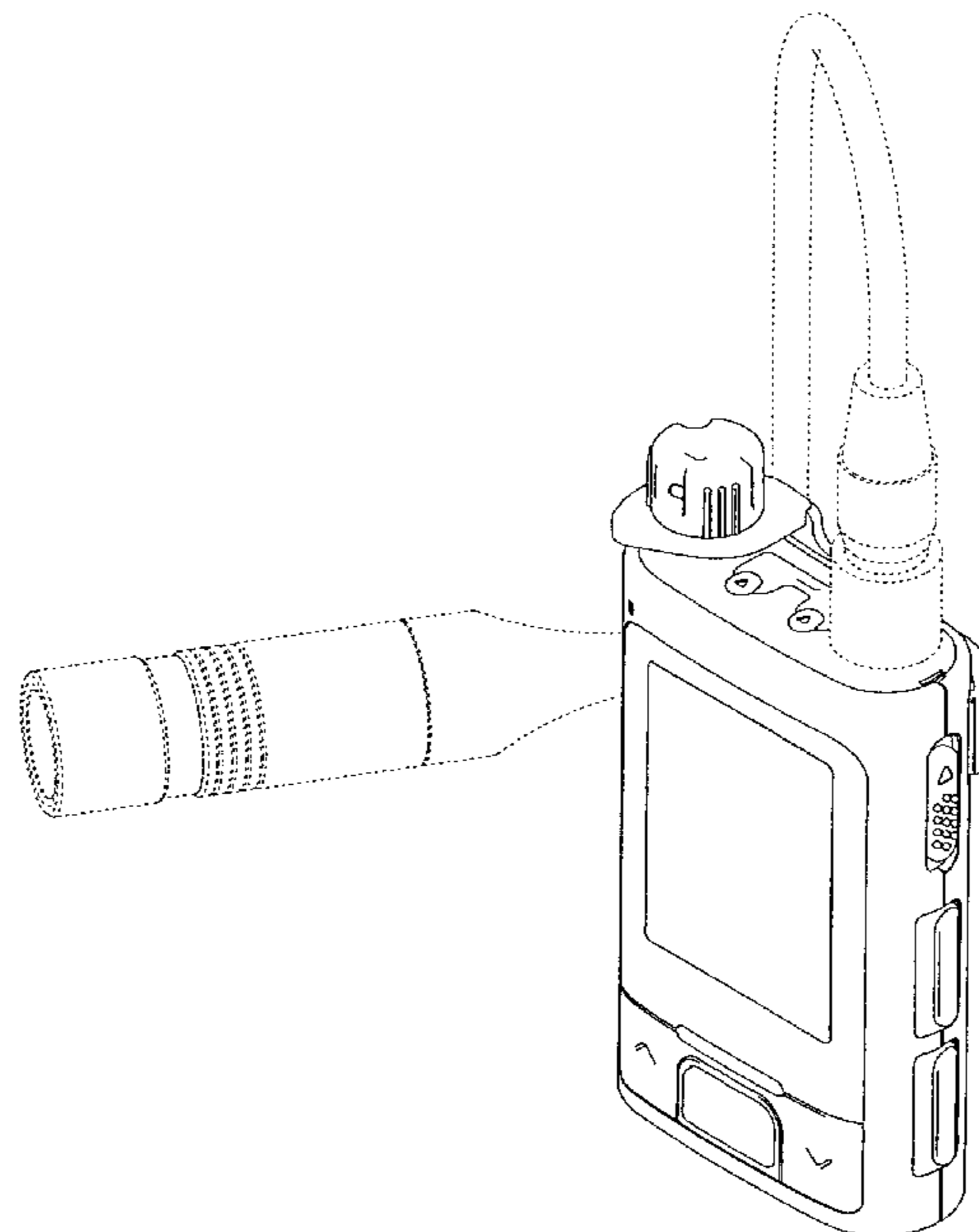


FIG. 1

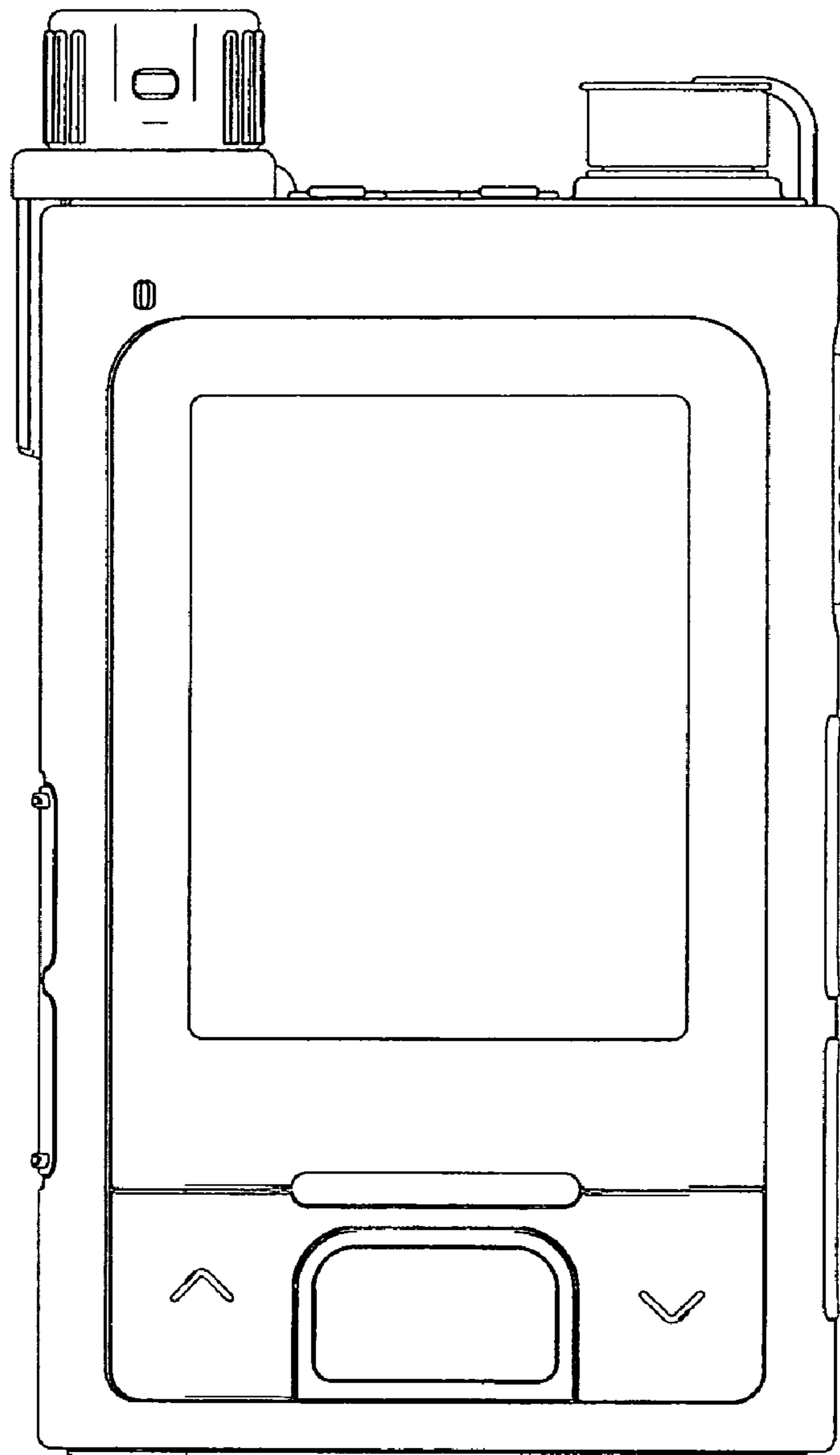


FIG. 2

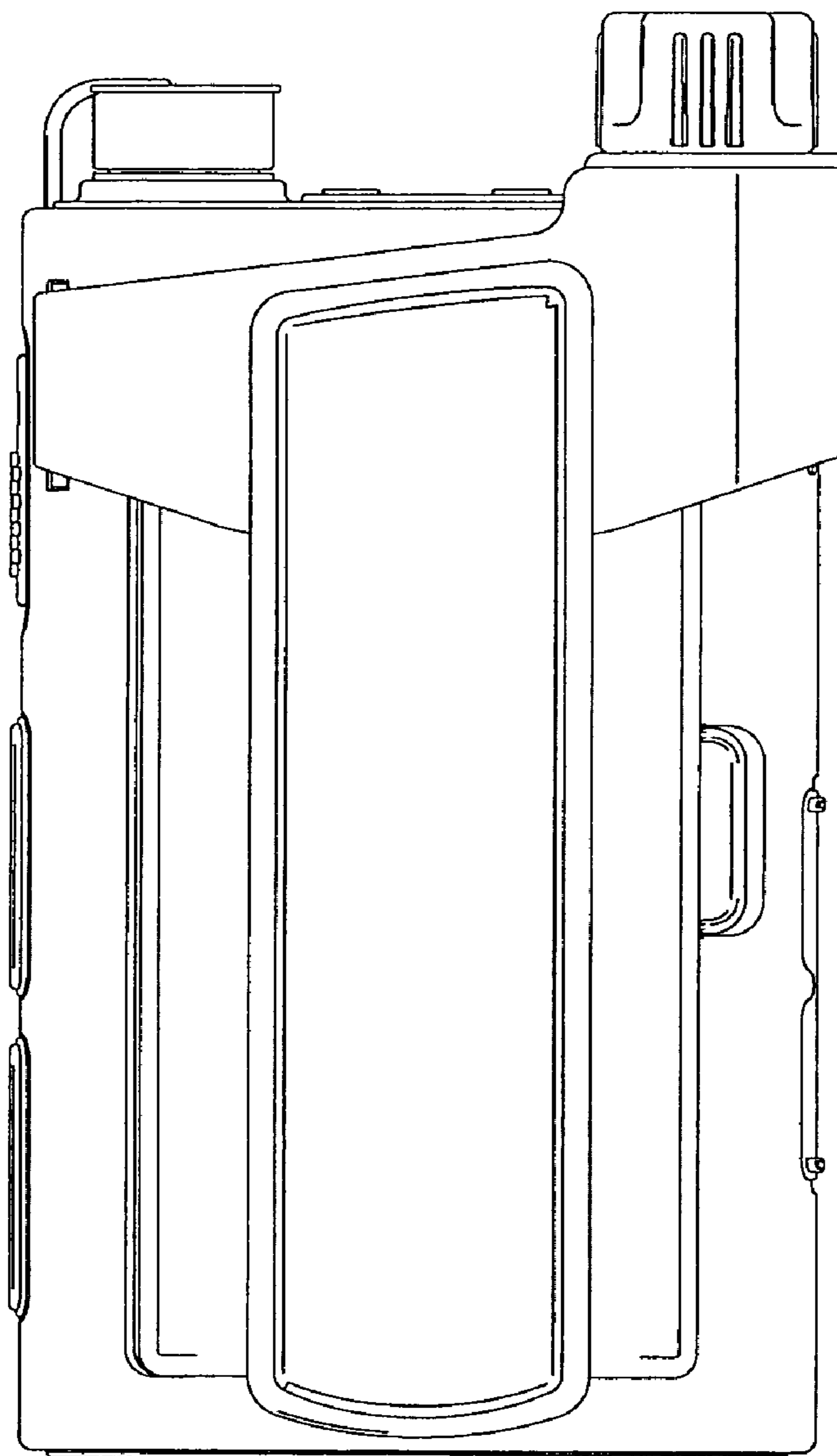


FIG. 3

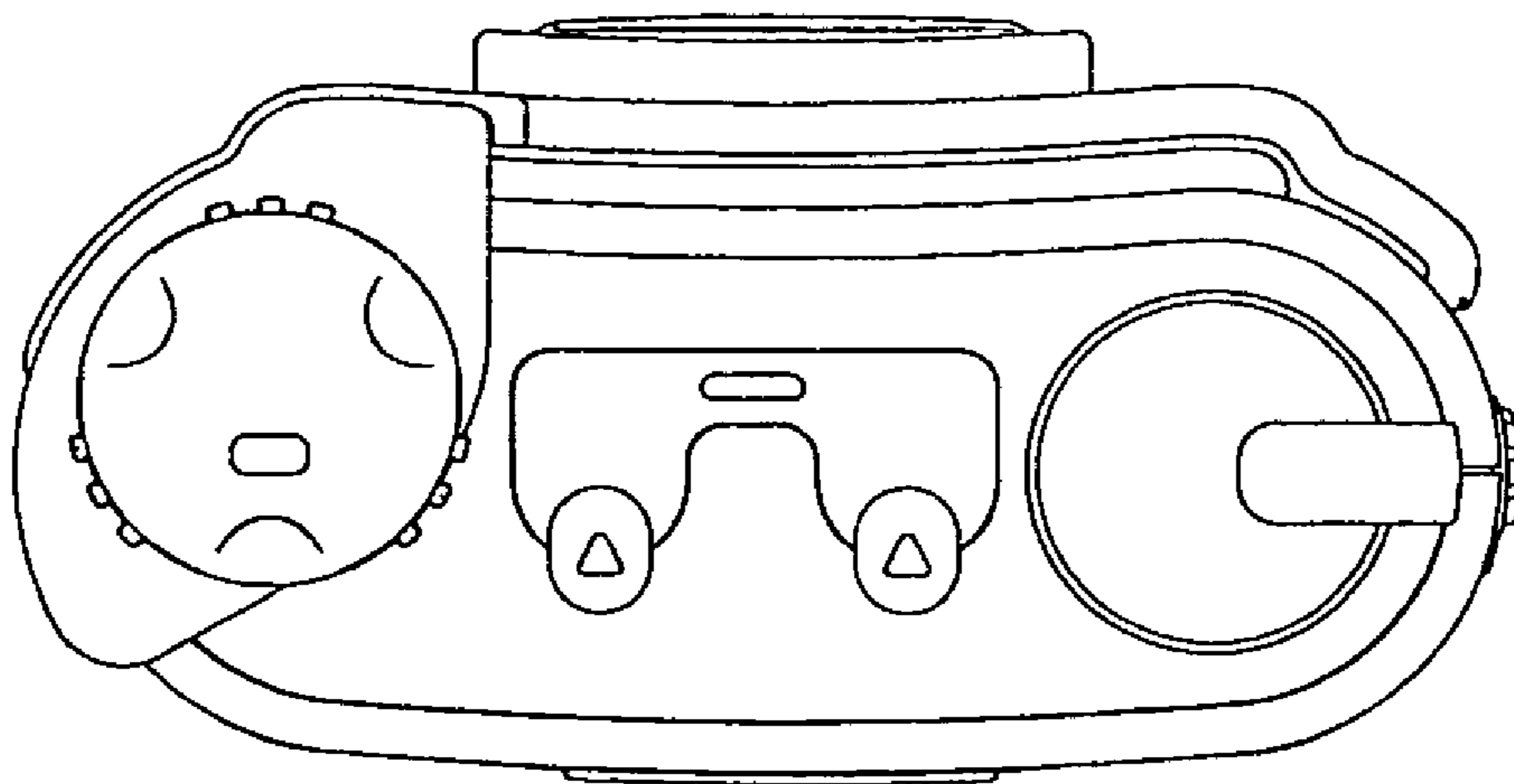


FIG. 4

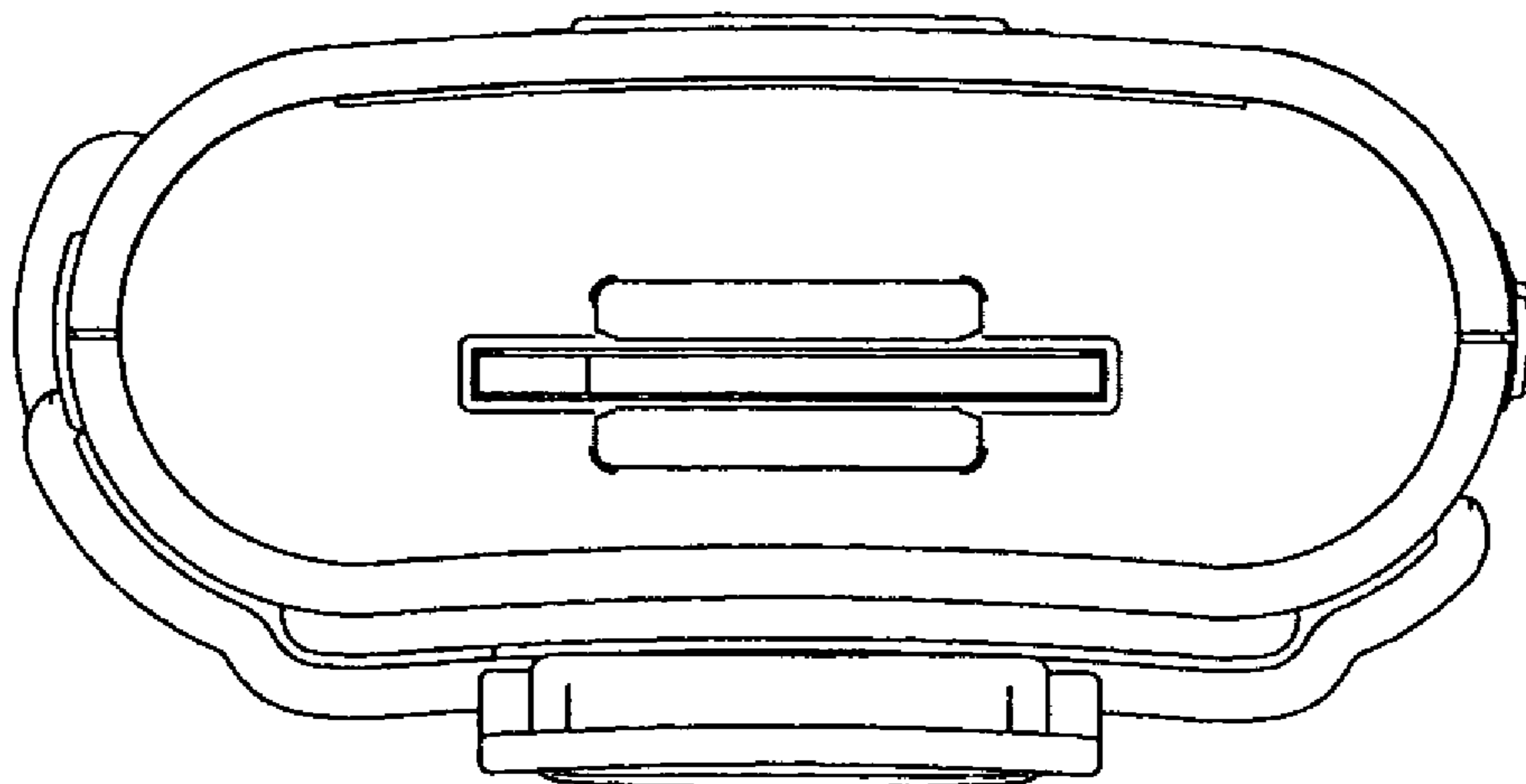


FIG. 5

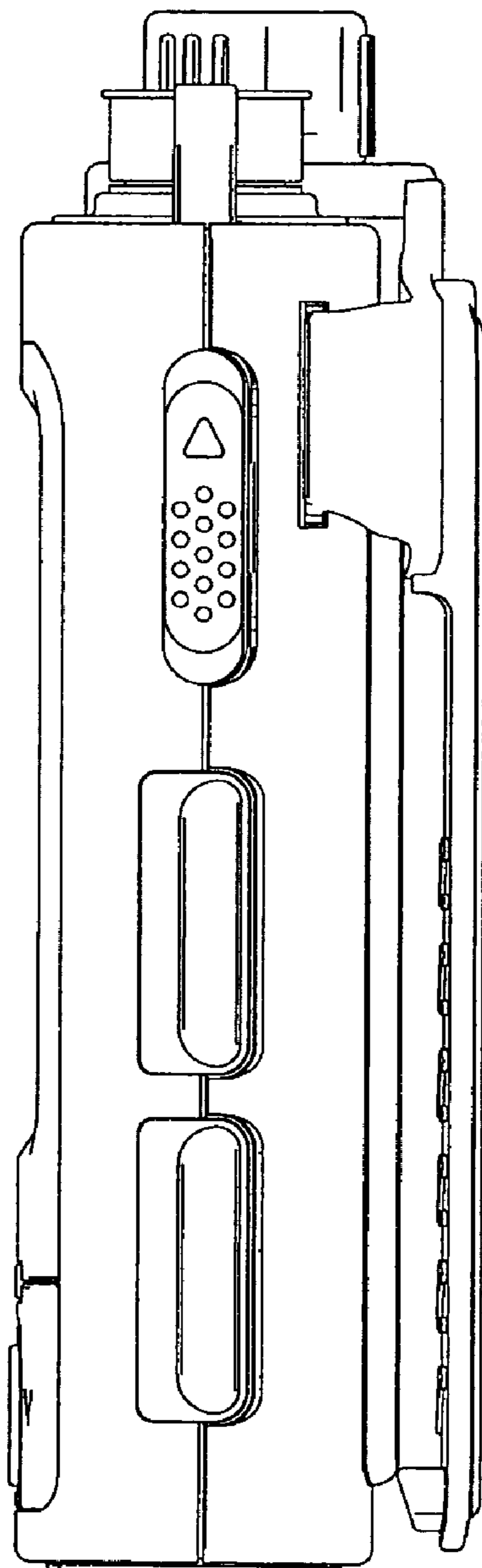


FIG. 6

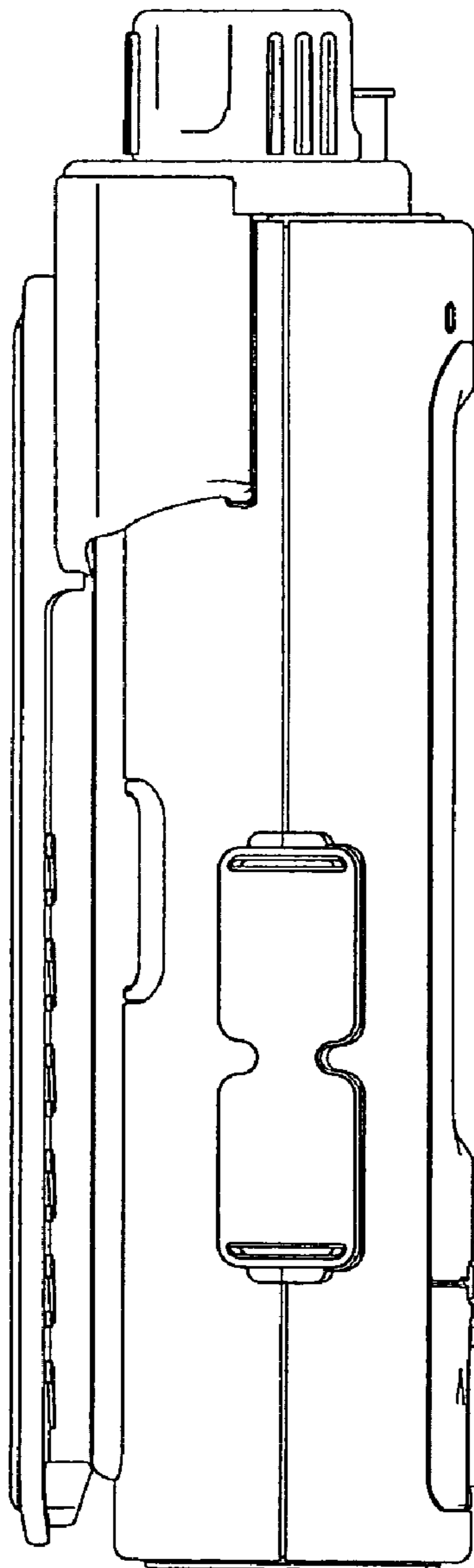


FIG. 7

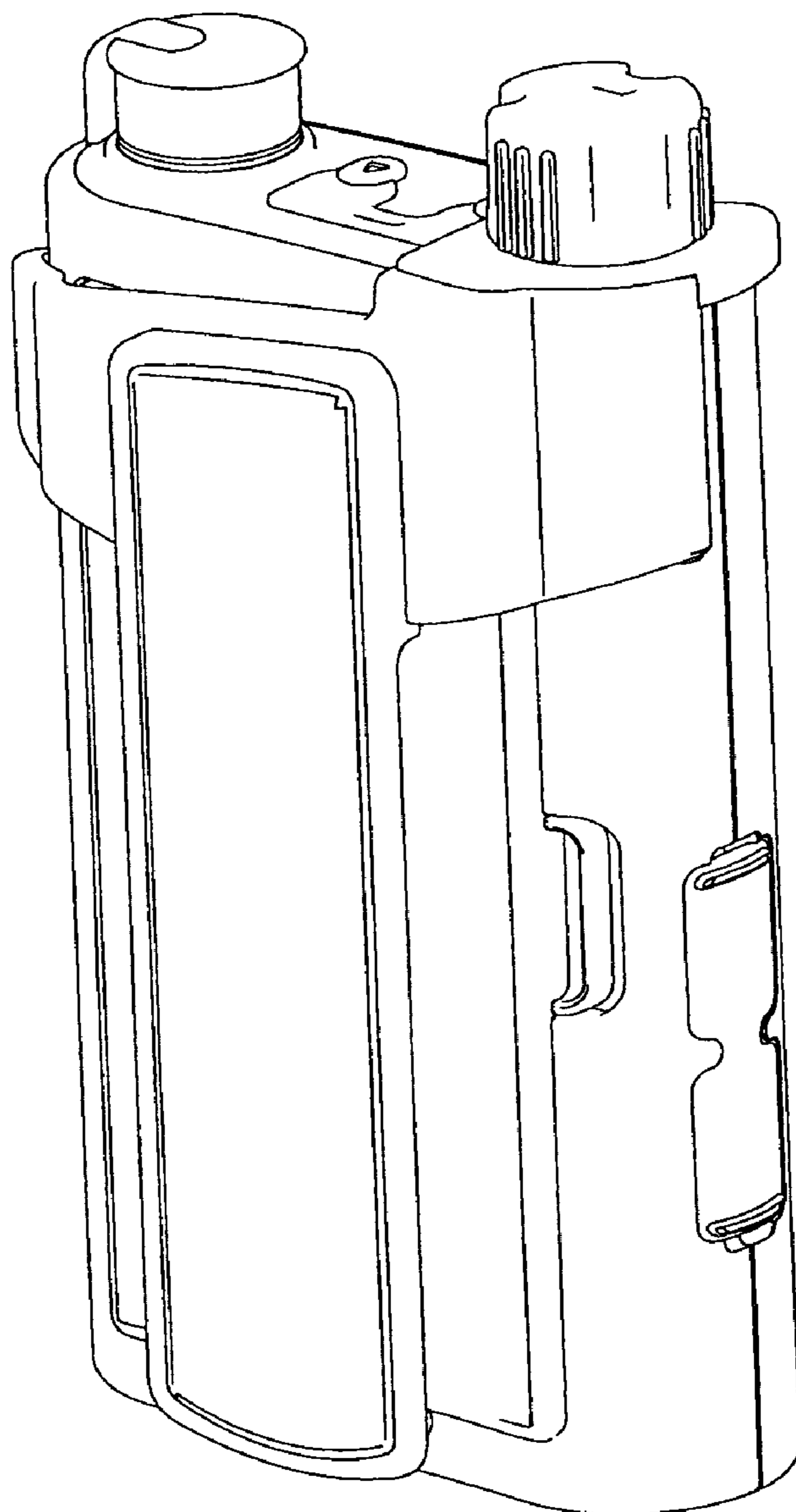


FIG. 8

