

US00D579886S

(12) **United States Design Patent**
Calverley

(10) **Patent No.:** **US D579,886 S**

(45) **Date of Patent:** **** Nov. 4, 2008**

(54) **VISUAL DISPLAY UNIT**

(75) Inventor: **Simon Calverley**, Hampshire (GB)

(73) Assignee: **De la Rue International Limited**,
Basingstoke (GB)

(**) Term: **14 Years**

(21) Appl. No.: **29/287,957**

(22) Filed: **Oct. 4, 2007**

(30) **Foreign Application Priority Data**

Apr. 4, 2007 (EM) 000704440-0001/0002

(51) **LOC (8) Cl.** **14-03**

(52) **U.S. Cl.** **D14/126**

(58) **Field of Classification Search** D14/125-134,
D14/239, 371, 136, 374-377, 440, 450, 448,
D14/336, 342; 312/7.2; 348/836, 838, 180,
348/184, 325, 739; 341/12; 248/917-924,
248/465; 345/104, 133, 156, 168, 87, 173;
720/605, 669, 600, 655; 369/99, 197; 455/344,
455/347; D21/329, 515, 577, 622, 333, 433,
D21/448, 452, 450, 331; D6/477, 479; 273/148 B;
446/484, 175, 356; D10/15, 26

See application file for complete search history.

(56) **References Cited**

U.S. PATENT DOCUMENTS

D324,863 S * 3/1992 Timm D14/126
5,177,616 A * 1/1993 Riday 348/837
5,179,447 A * 1/1993 Lain 348/837
D386,158 S * 11/1997 Rosen D14/375
D387,345 S * 12/1997 Rosen D14/132

D390,450 S * 2/1998 Rosen D8/380
D398,293 S * 9/1998 Lindblom D14/381
D425,036 S * 5/2000 Copus et al. D14/375
D427,604 S * 7/2000 Rosen D14/447
D460,055 S * 7/2002 Rosen D14/126
D460,448 S * 7/2002 Matsumoto D14/346
D462,983 S * 9/2002 Lum D18/12.3
7,065,319 B1 * 6/2006 Hartley 434/307 R
D525,605 S * 7/2006 Voege D14/126
D535,631 S * 1/2007 Millora D14/126
D536,360 S * 2/2007 Dayan D16/242
D541,239 S * 4/2007 Tsai D14/126
D553,107 S * 10/2007 Harper et al. D14/126
D566,071 S * 4/2008 Kaneko D14/126
D566,846 S * 4/2008 Kitayama D24/186

* cited by examiner

Primary Examiner—Raphael Barkai

(74) *Attorney, Agent, or Firm*—Oliff & Berridge, PLC

(57) **CLAIM**

The ornamental design for a visual display unit, as shown and described.

DESCRIPTION

FIG. 1 is a perspective view of a visual display unit;

FIG. 2 is a front view thereof;

FIG. 3 is a top view thereof;

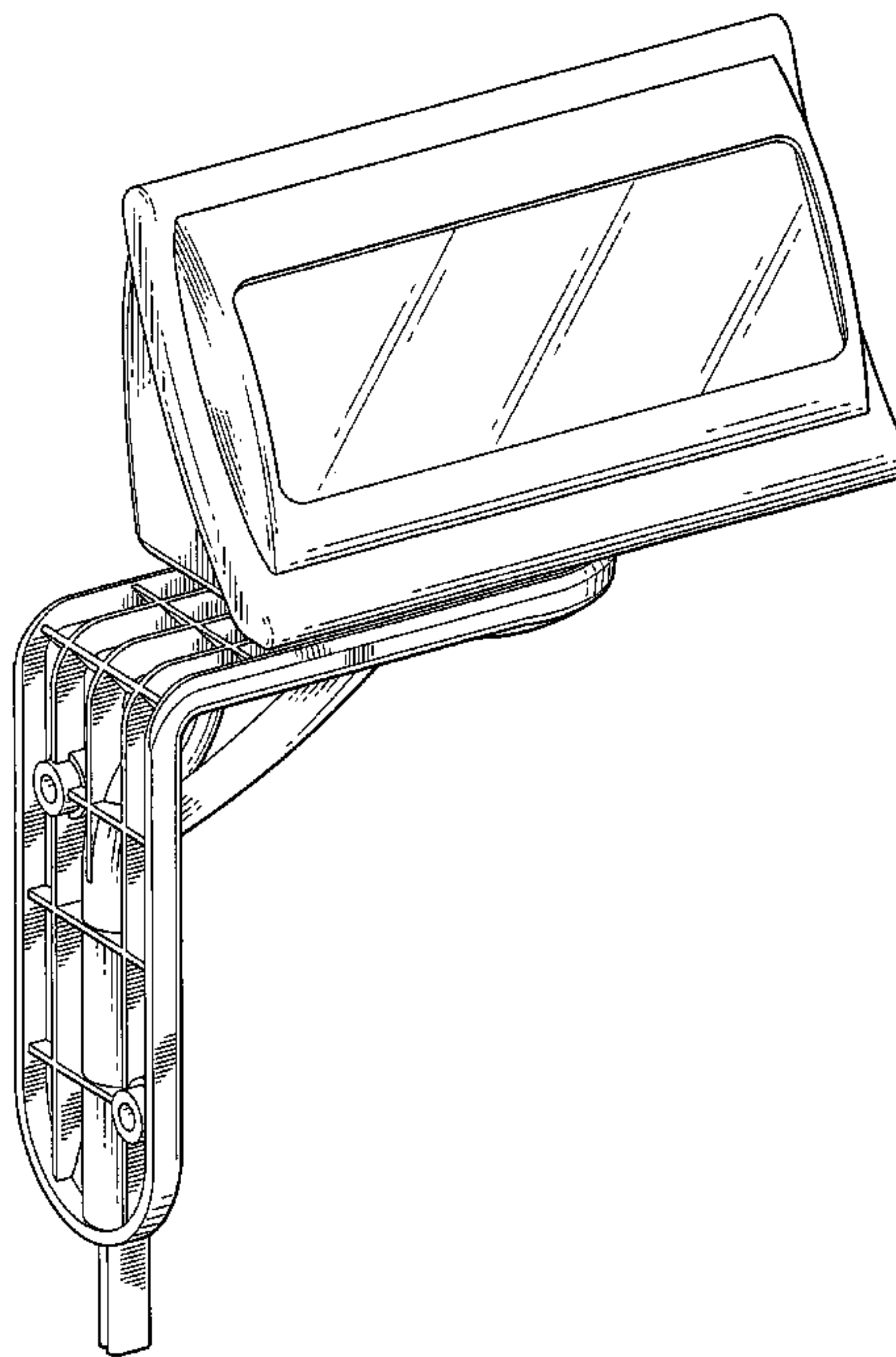
FIG. 4 is a left-side view thereof;

FIG. 5 is a right-side view thereof;

FIG. 6 is a bottom view thereof; and,

FIG. 7 is a rear view thereof.

1 Claim, 7 Drawing Sheets



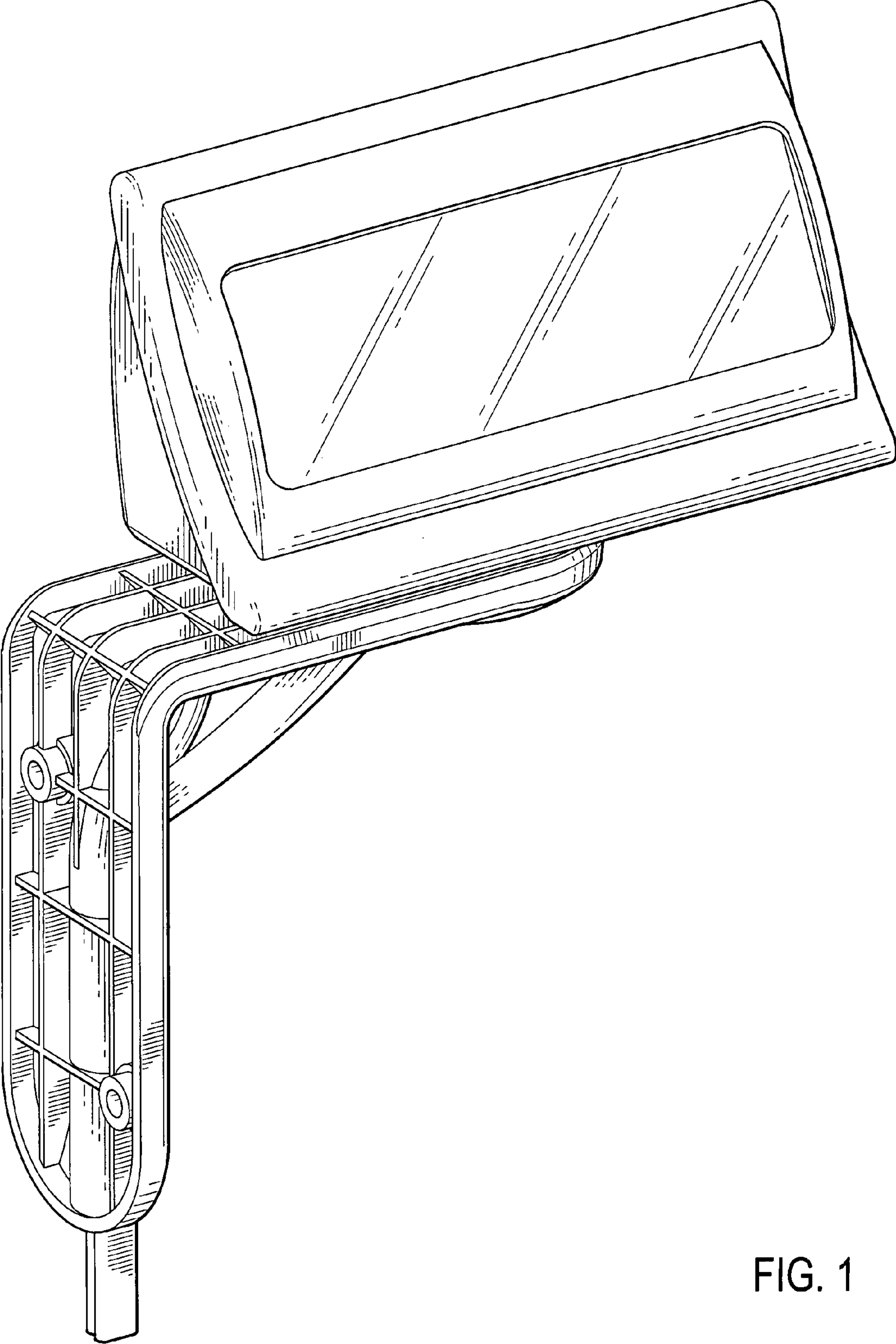


FIG. 1

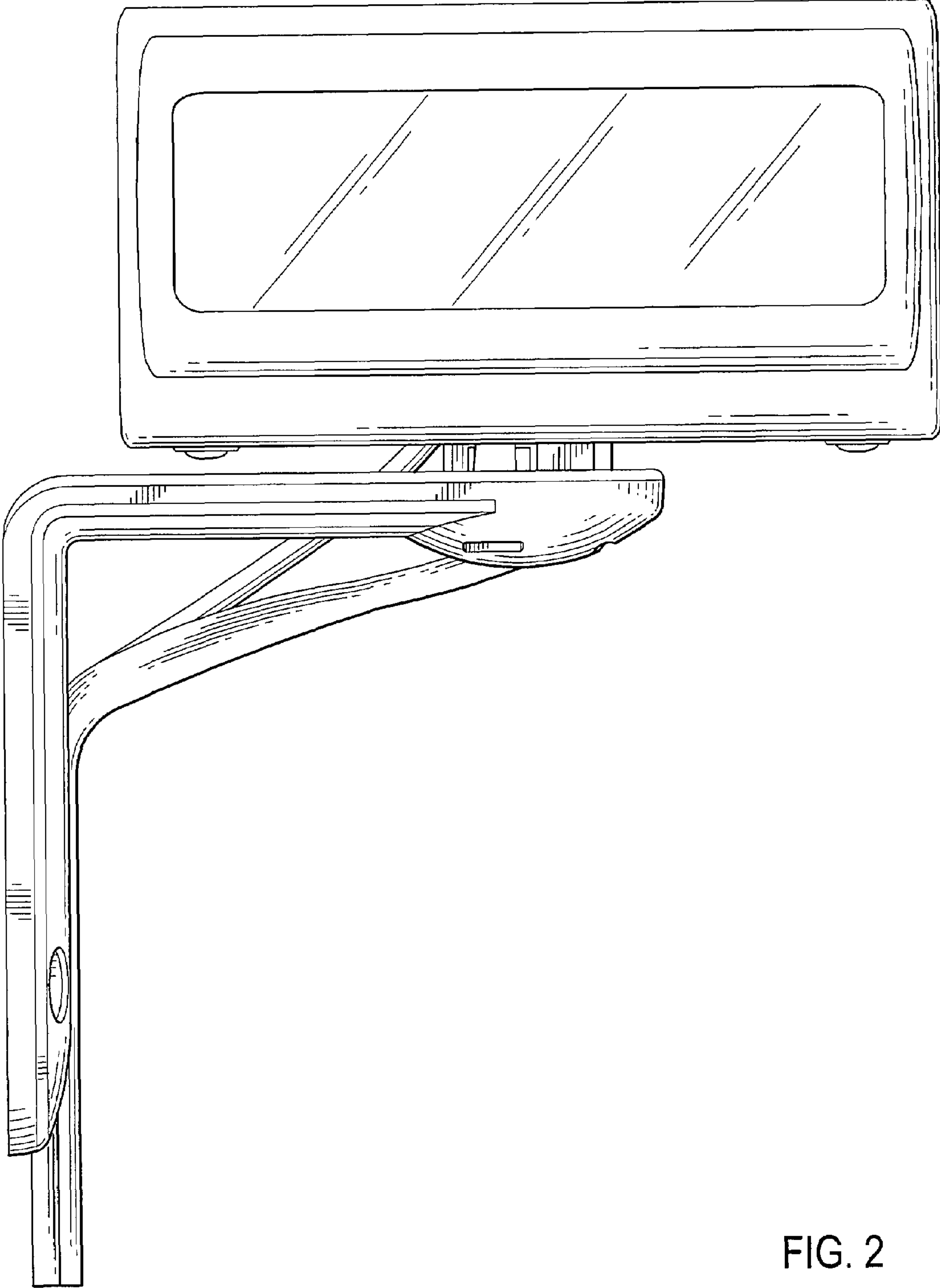


FIG. 2

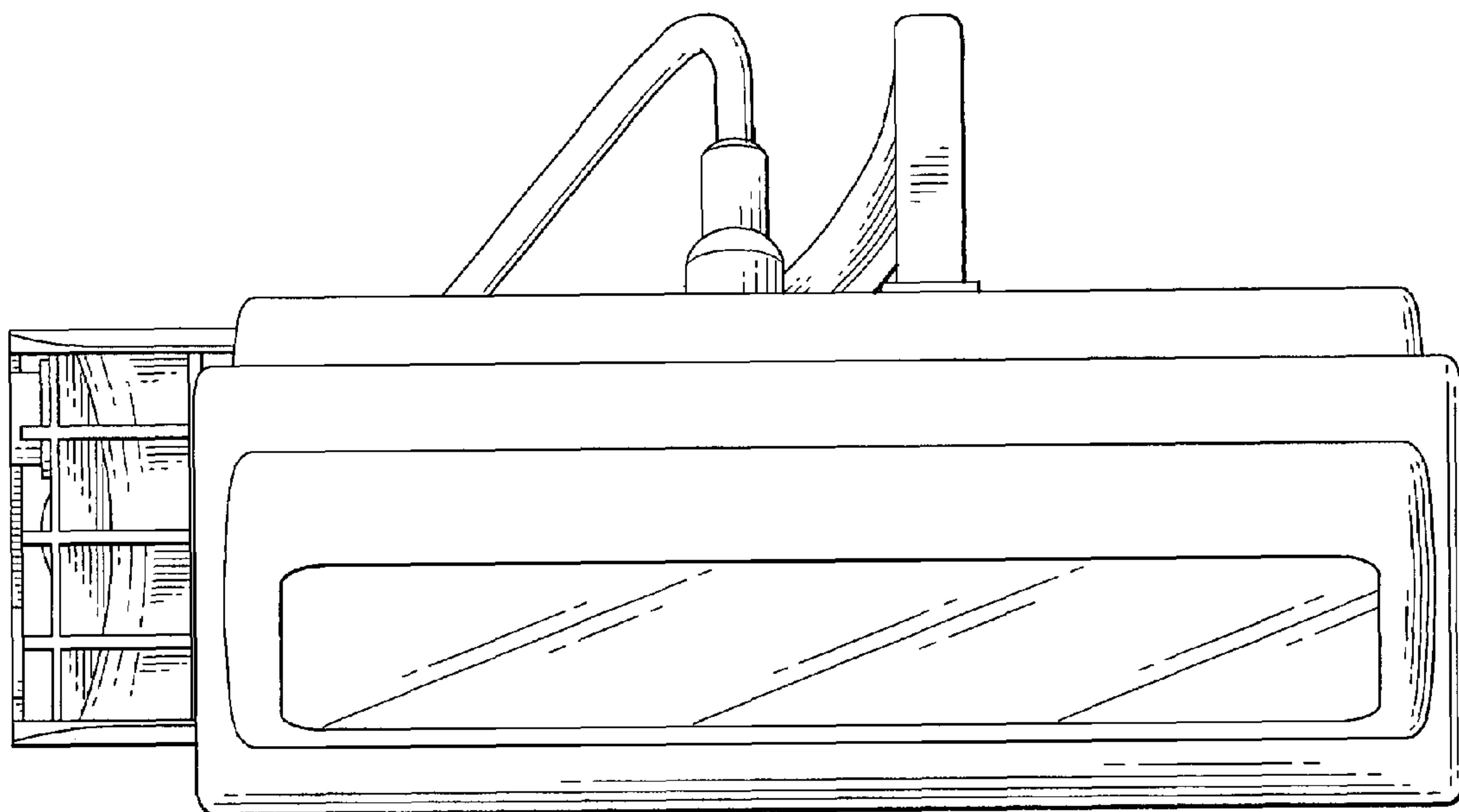


FIG. 3

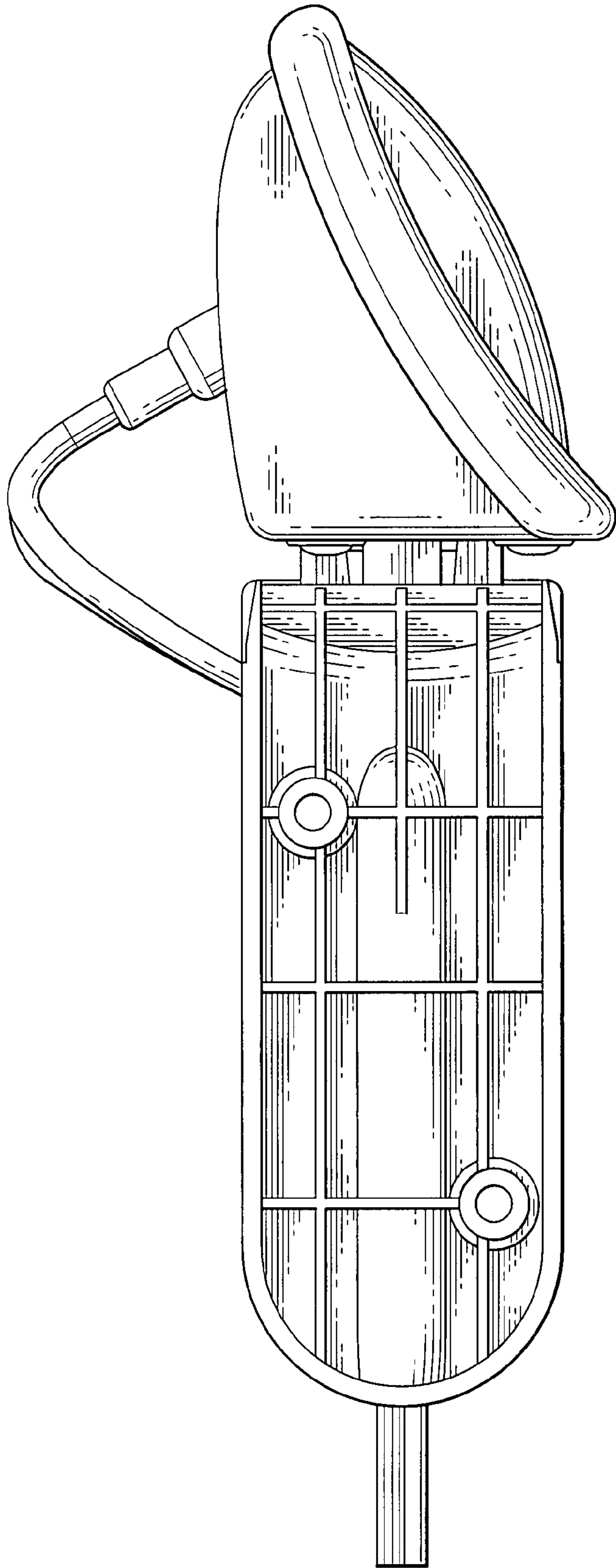


FIG. 4

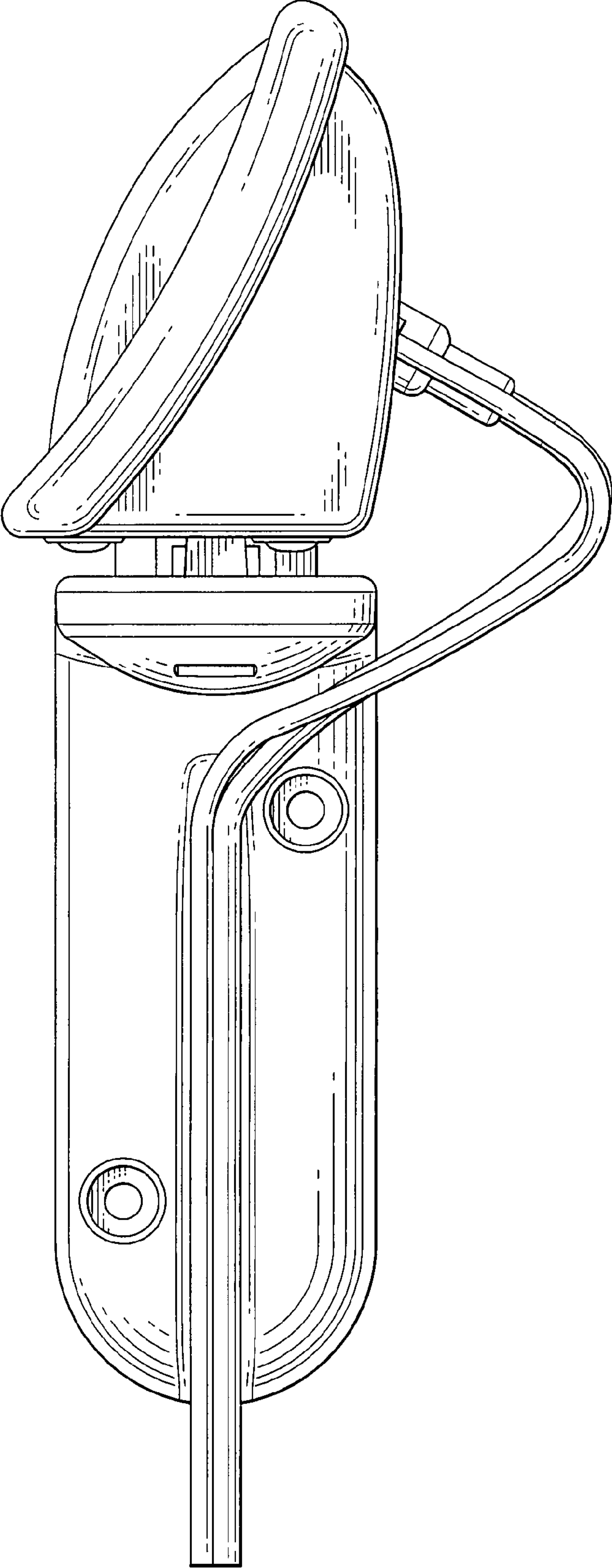


FIG. 5

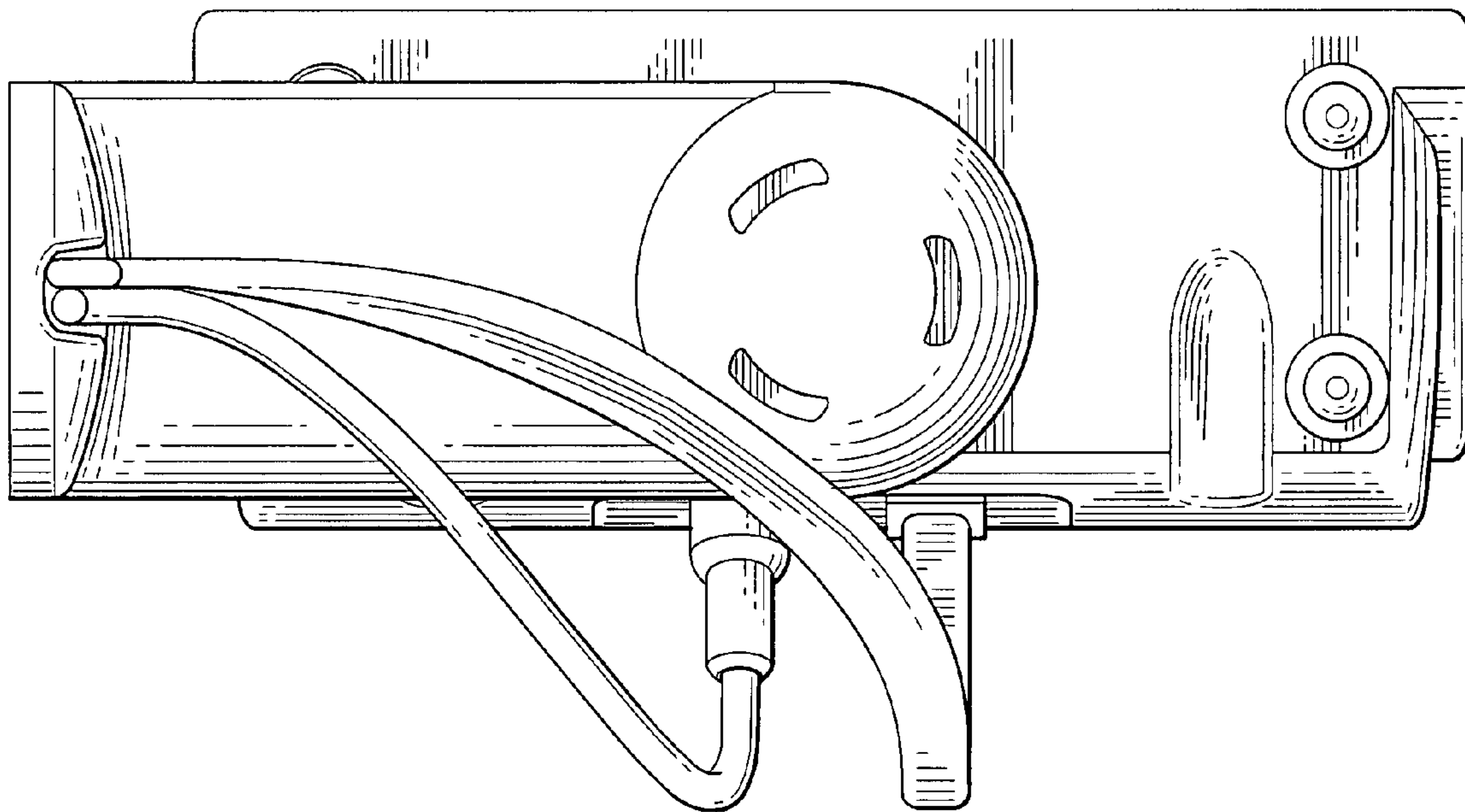


FIG. 6

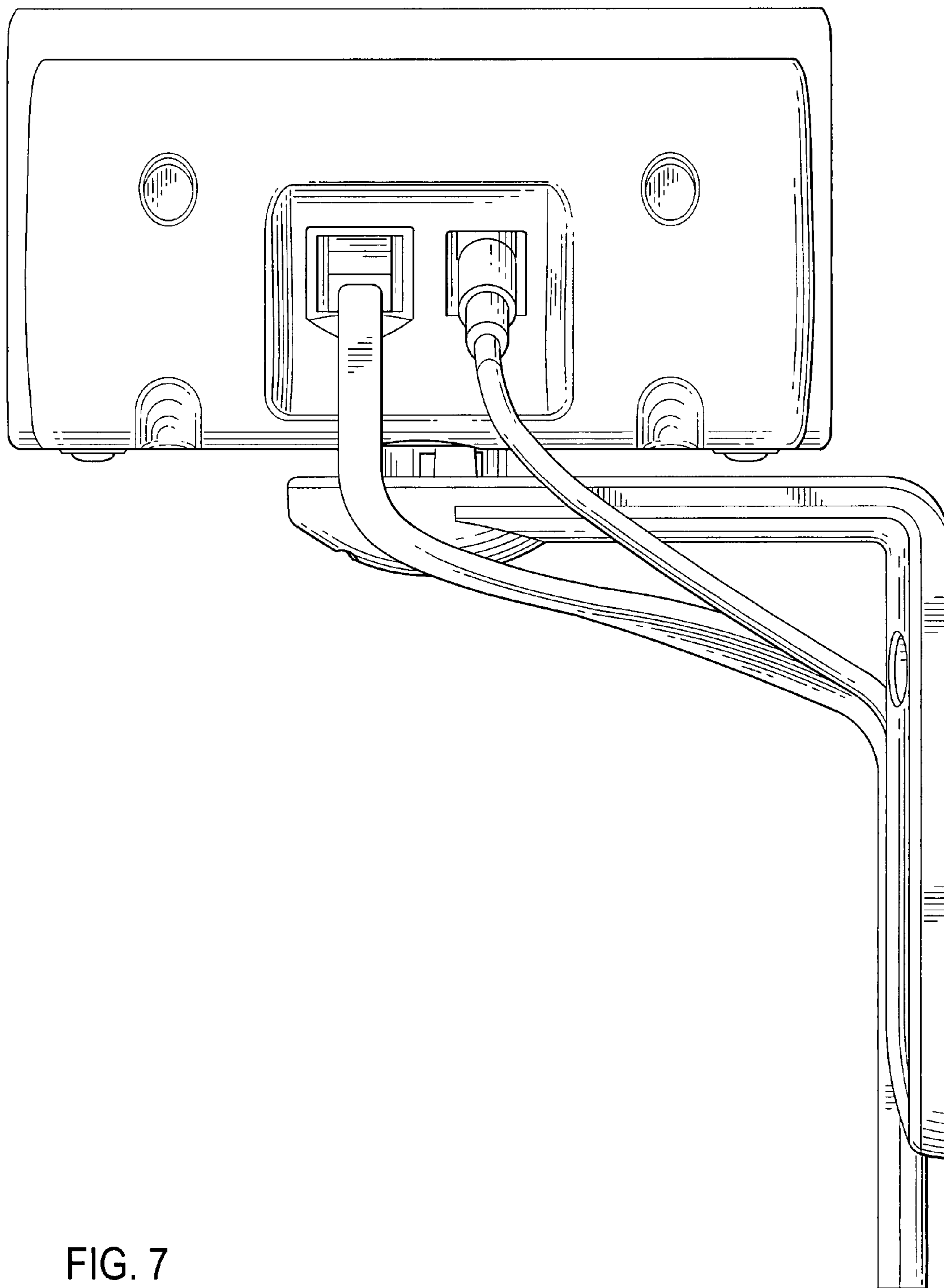


FIG. 7