



US00D579884S

(12) **United States Design Patent**
Takine

(10) **Patent No.:** **US D579,884 S**
(45) **Date of Patent:** **** Nov. 4, 2008**

(54) **LIGHT EMITTING DIODE**

- (75) Inventor: **Kenji Takine**, Anan (JP)
- (73) Assignee: **Nichia Corporation**, Anan-shi (JP)
- (**) Term: **14 Years**
- (21) Appl. No.: **29/305,824**
- (22) Filed: **Mar. 28, 2008**

Related U.S. Application Data

- (62) Division of application No. 29/235,784, filed on Aug. 8, 2005.

(30) **Foreign Application Priority Data**

Feb. 18, 2005	(JP)	2005-4367
Feb. 18, 2005	(JP)	2005-4370
Feb. 18, 2005	(JP)	2005-4371
Feb. 18, 2005	(JP)	2005-4372
Feb. 18, 2005	(JP)	2005-4373
Feb. 18, 2005	(JP)	2005-4374

- (51) **LOC (8) Cl.** **13-03**
- (52) **U.S. Cl.** **D13/180**
- (58) **Field of Classification Search** D13/180;
D26/2; 257/79, 80, 81, 88, 89, 95, 98, 99,
257/100; 313/483, 498, 500; 362/555, 800
See application file for complete search history.

(56) **References Cited**

U.S. PATENT DOCUMENTS

D476,960 S	7/2003	Fukasawa et al.	
D478,879 S	8/2003	Imai	
6,677,707 B1	1/2004	Dietiker	
6,799,870 B2	10/2004	Lin	
D499,075 S	11/2004	Yoon et al.	
D510,326 S	10/2005	Ishida	
D562,271 S *	2/2008	Son D13/180
D562,782 S *	2/2008	Son D13/180
2004/0061440 A1	4/2004	Imai et al.	
2006/0186427 A1	8/2006	Takine et al.	

FOREIGN PATENT DOCUMENTS

JP	D1163901 S	1/2003
JP	D1164214 S	1/2003
JP	D1164215 S	1/2003
JP	D1164216 S	1/2003
JP	D1164217 S	1/2003
JP	D1164218 S	1/2003

OTHER PUBLICATIONS

Electronic Components; Asian Sources; Nov. 2004; Apex Science & Engineering Corporation.

* cited by examiner

Primary Examiner—Selina Sikder

(74) *Attorney, Agent, or Firm*—Global IP Counselors, LLP

(57) **CLAIM**

The ornamental design for a light emitting diode, as shown and described.

DESCRIPTION

FIG. 1 is a front view of a light emitting diode in accordance with a first embodiment of my new design;

FIG. 2 is a rear view of the light emitting diode in accordance with the first embodiment of my new design;

FIG. 3 is a top plan view of the light emitting diode in accordance with the first embodiment of my new design;

FIG. 4 is a bottom plan view of the light emitting diode in accordance with the first embodiment of my new design;

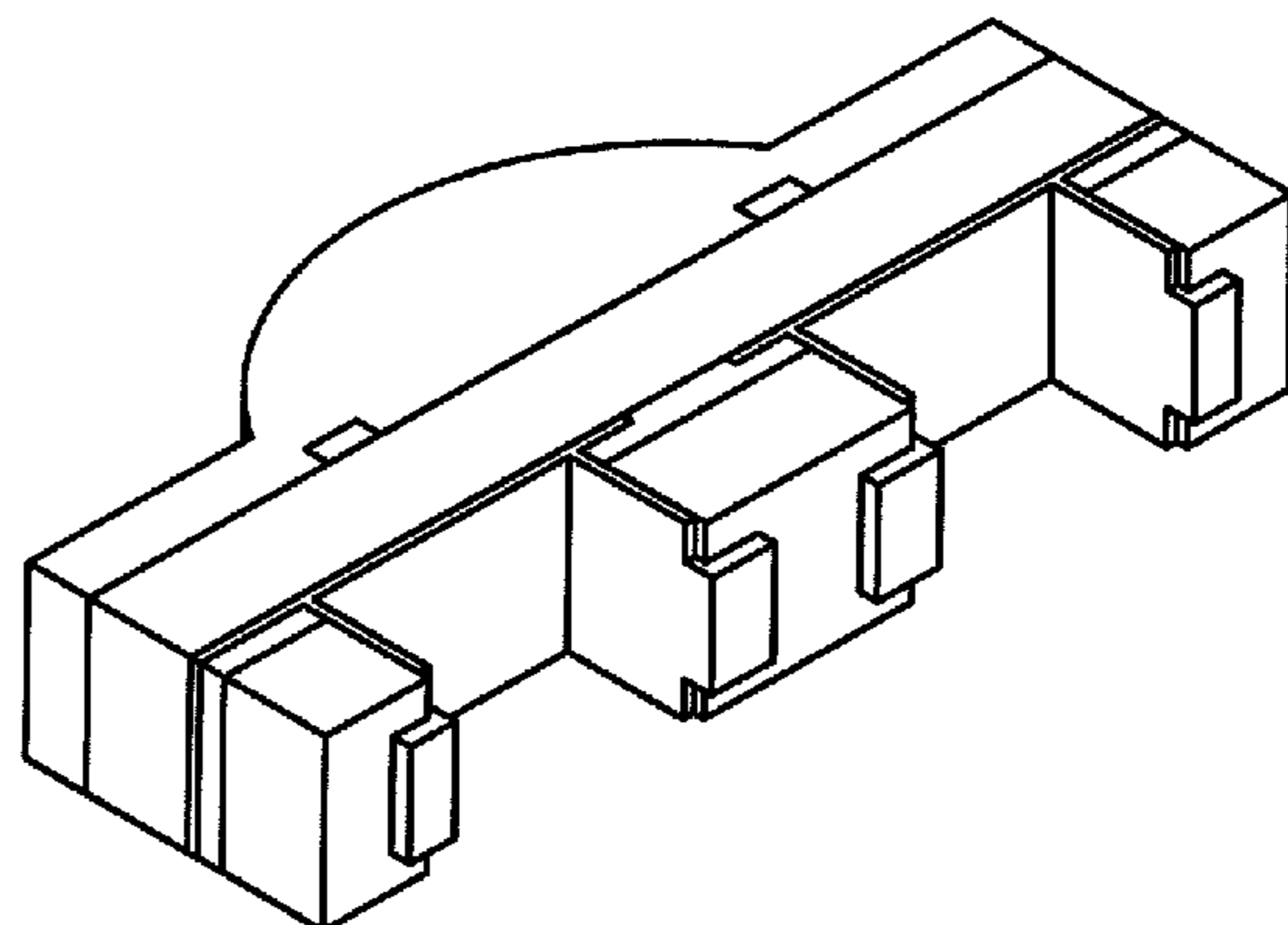
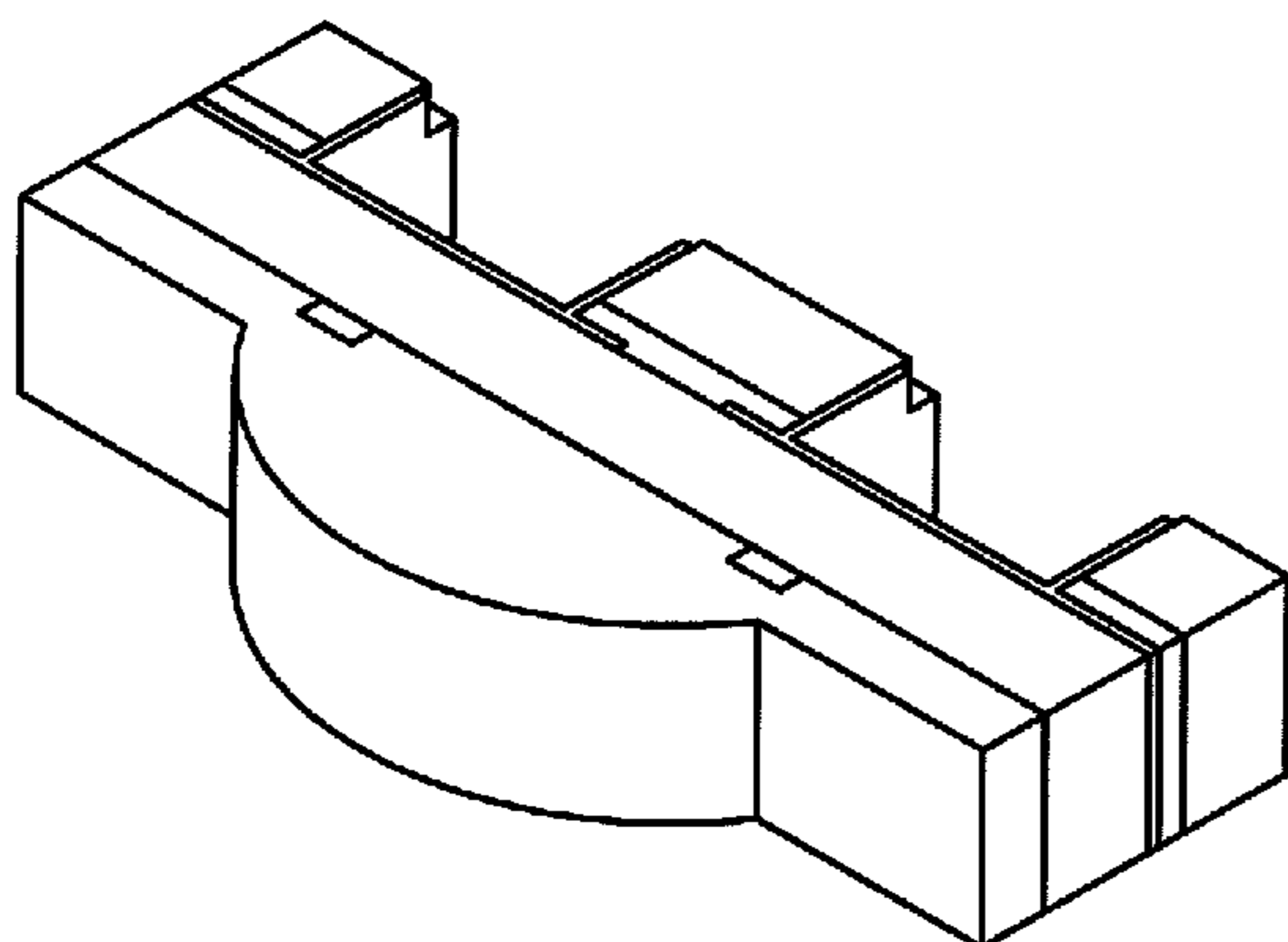
FIG. 5 is a right side view of the light emitting diode in accordance with the first embodiment of my new design;

FIG. 6 is a left side view of the light emitting diode in accordance with the first embodiment of my new design;

FIG. 7 is a front perspective view of the light emitting diode in accordance with the first embodiment of my new design;

FIG. 8 is a rear perspective view of the light emitting diode in accordance with the first embodiment of my new design;

FIG. 9 is a front view of a light emitting diode in accordance with a second embodiment of my new design, the only dif-



ference between the second embodiment and the first embodiment being that the front surface is translucent in the second embodiment; and,

FIG. 10 is a front perspective view of the light emitting diode in accordance with the second embodiment of my new design.

The broken line showing of environment (the remaining structure of the light emitting diode) in the Figures is for illustrative purposes only and forms no part of the claimed design.

1 Claim, 5 Drawing Sheets

Figure 1



Figure 2

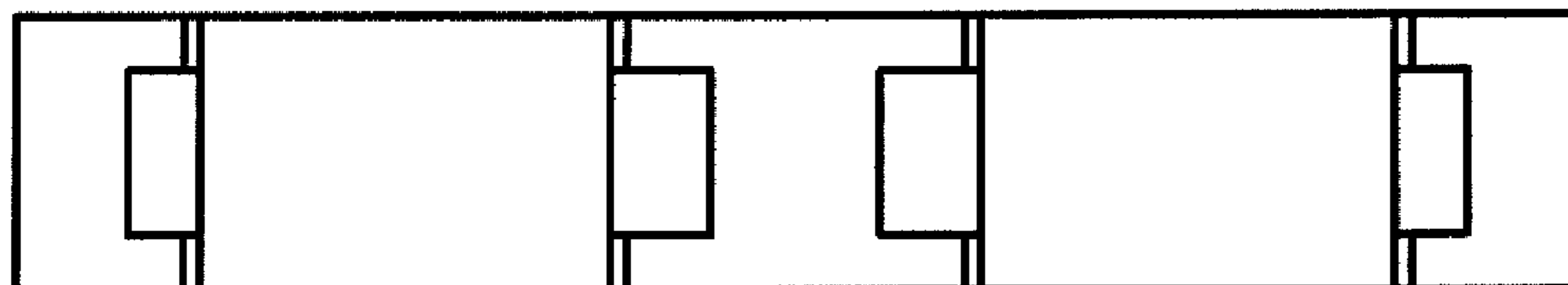


Figure 3

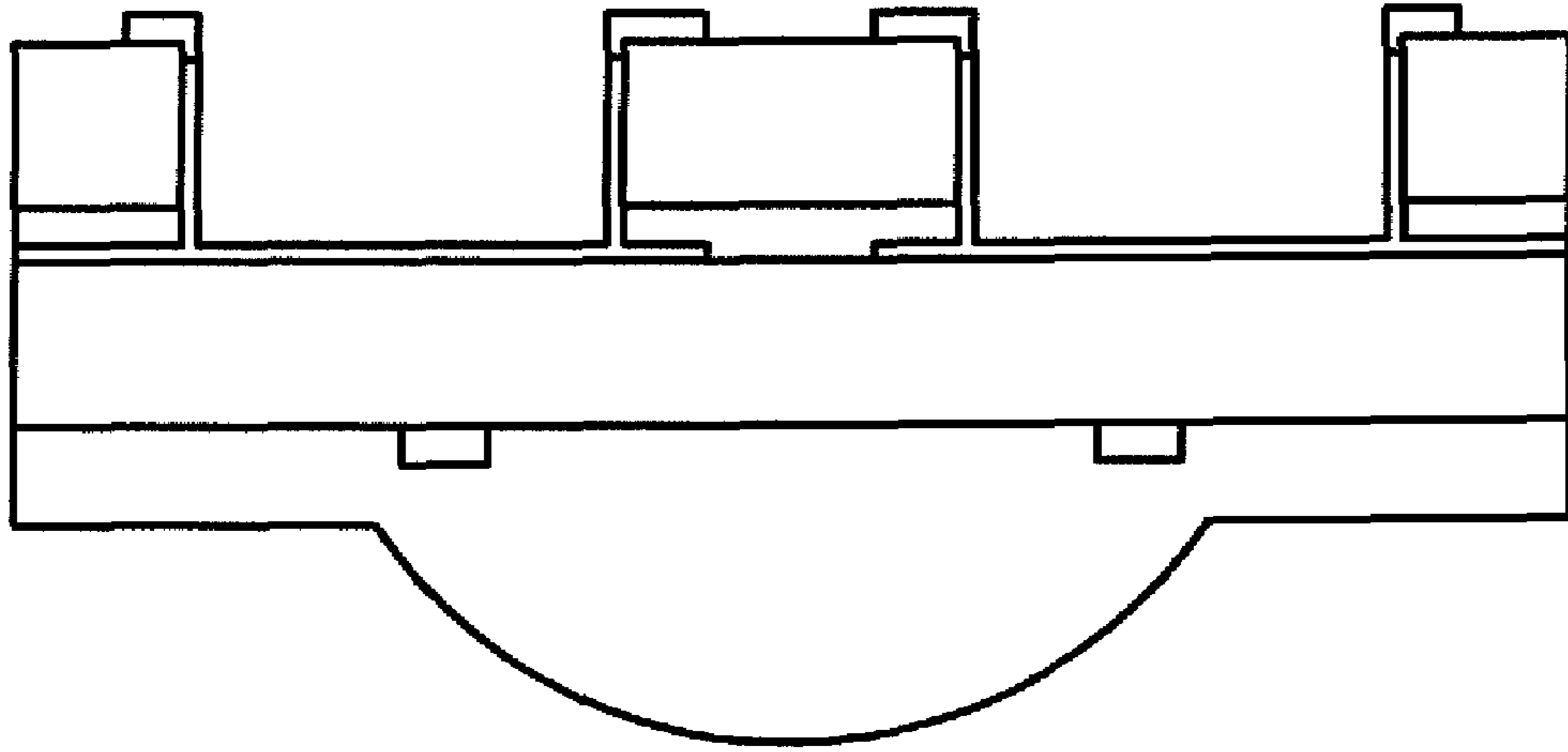


Figure 4

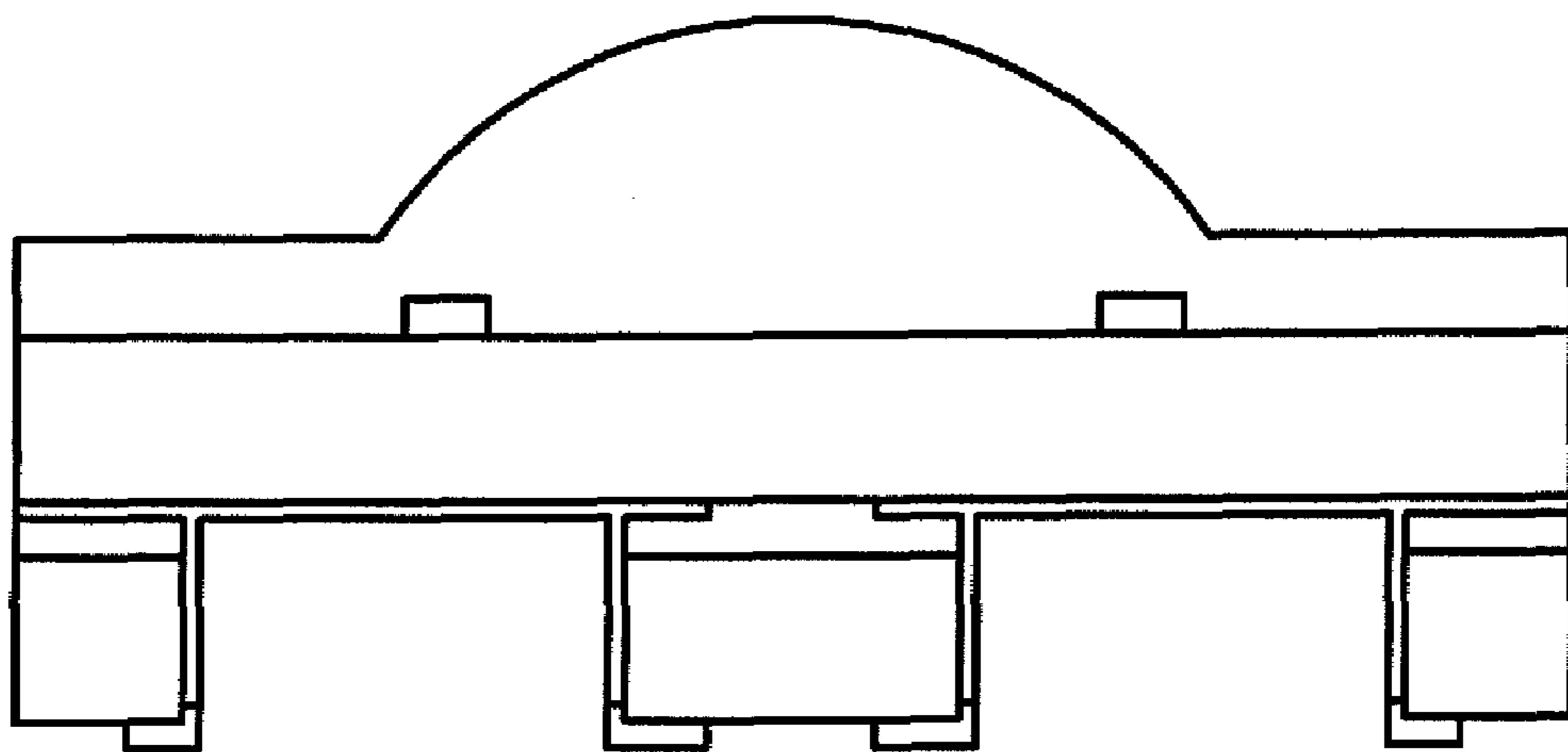


Figure 5

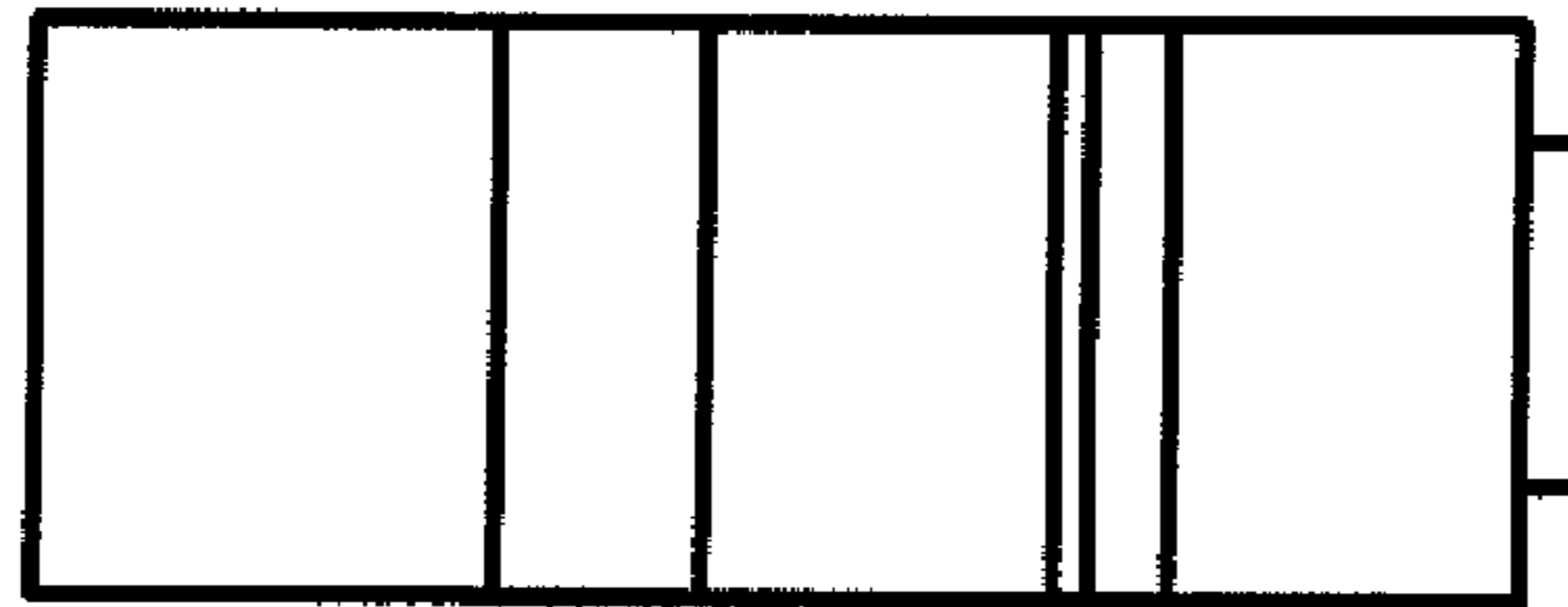


Figure 6

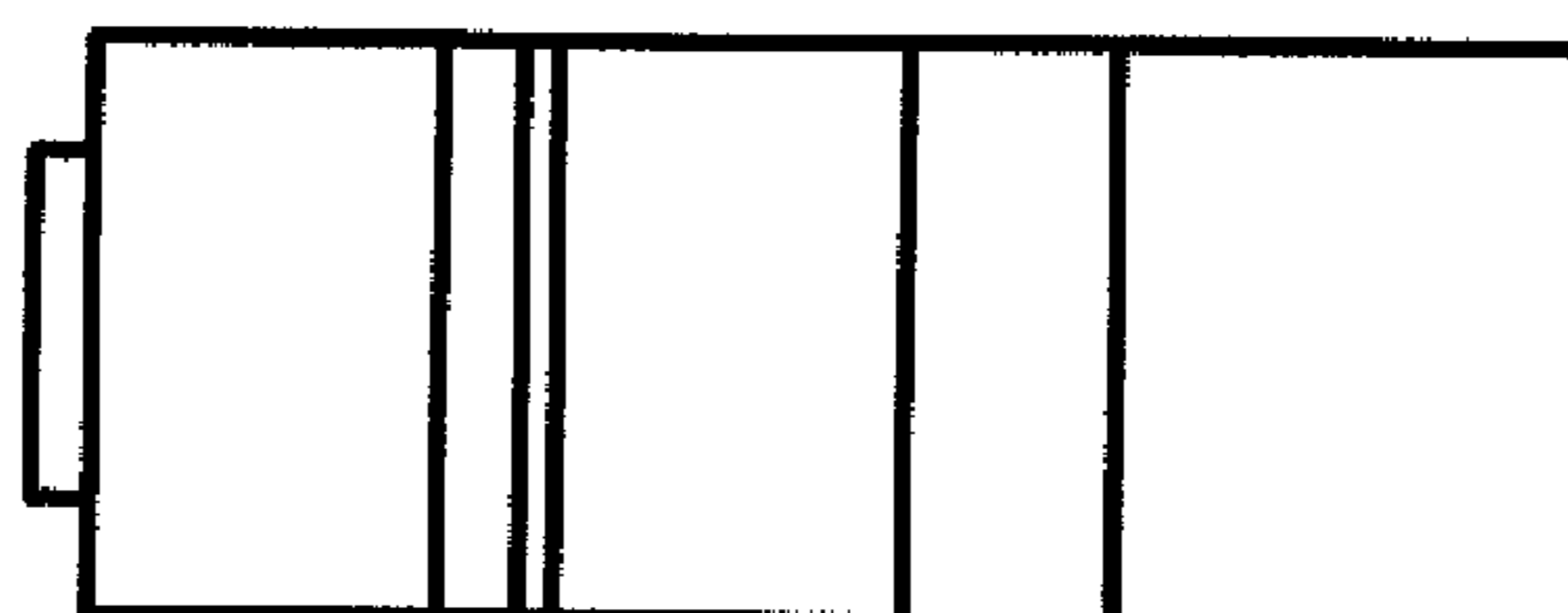


Figure 7

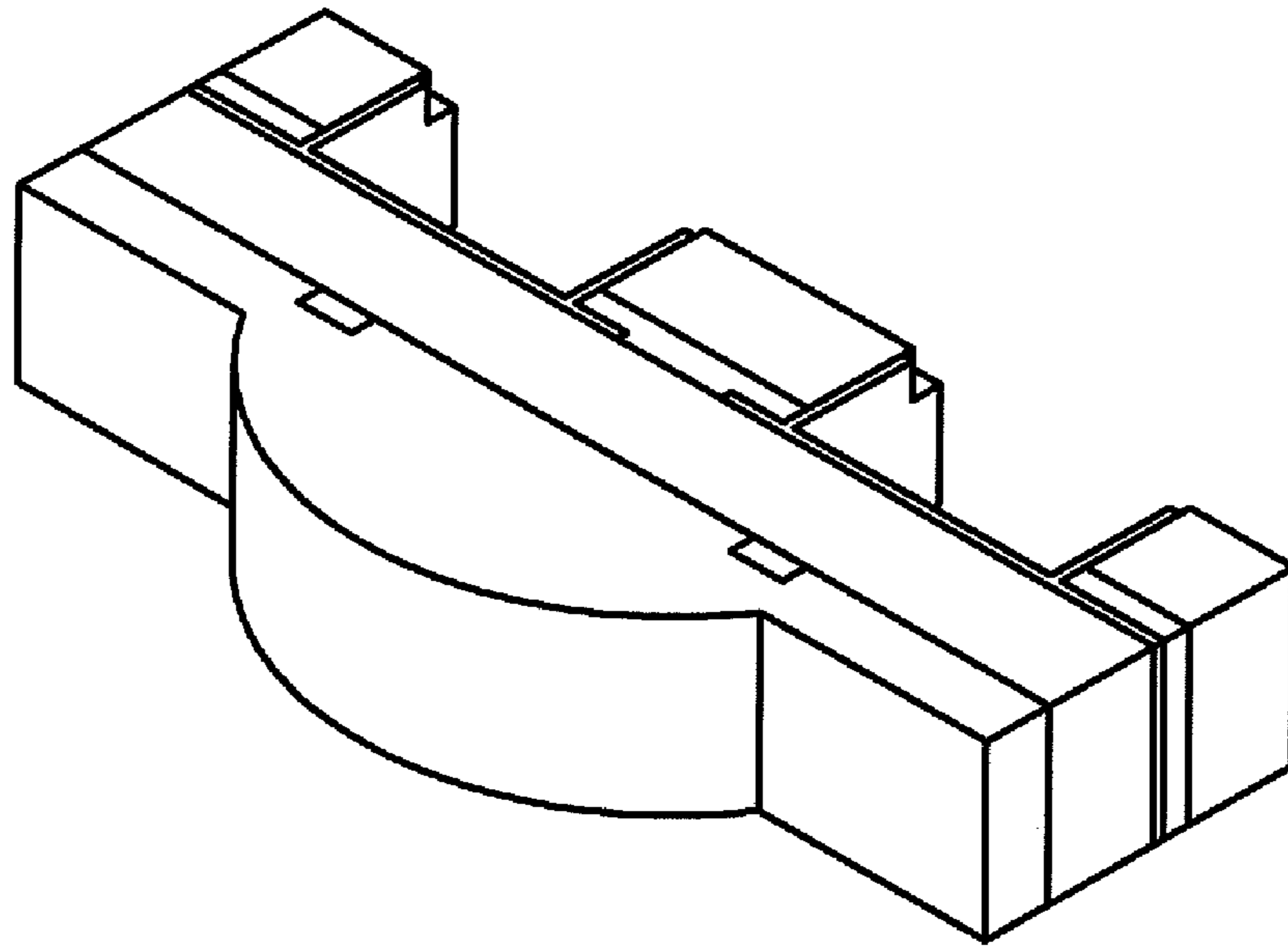


Figure 8

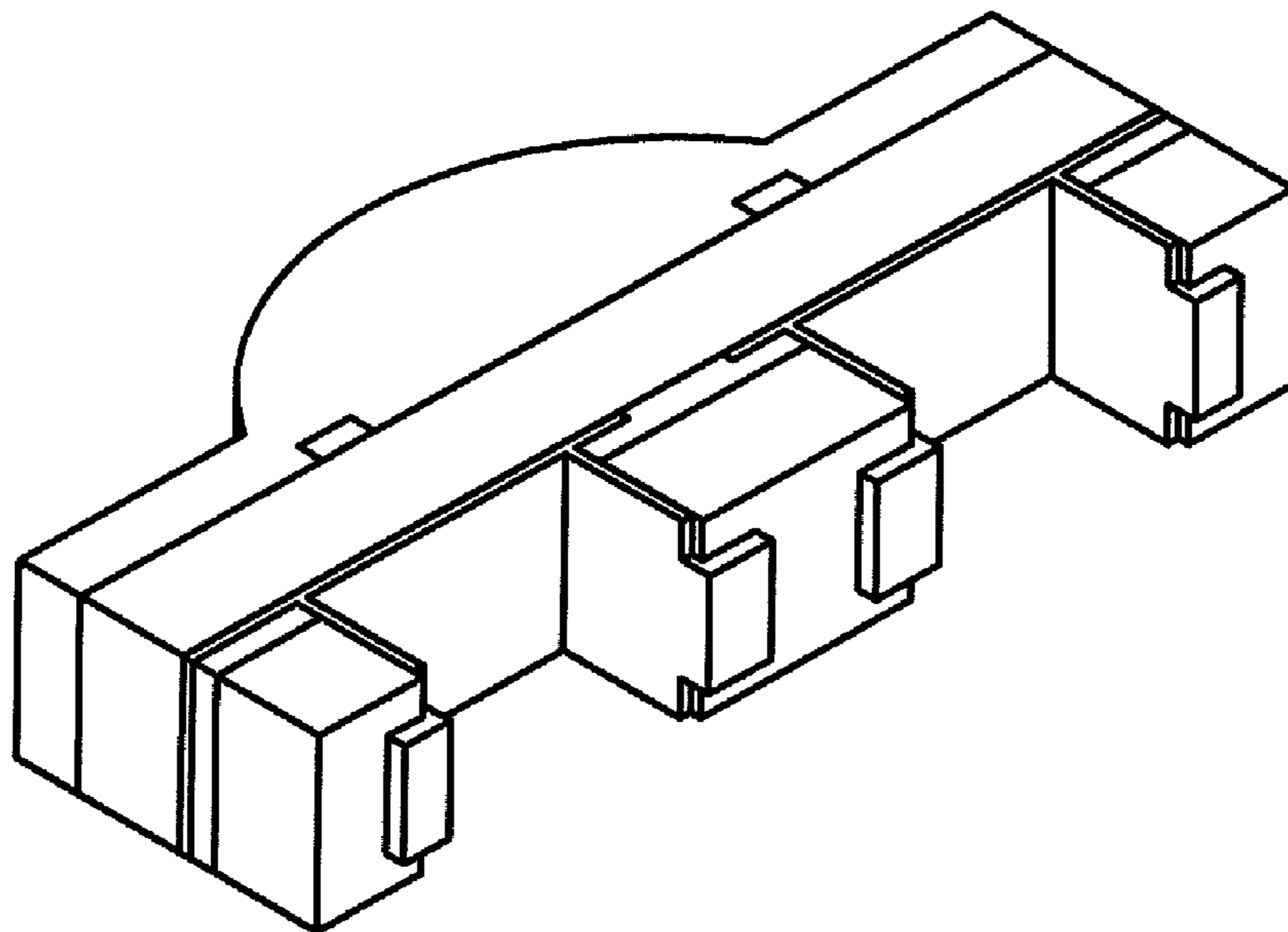


Figure 9

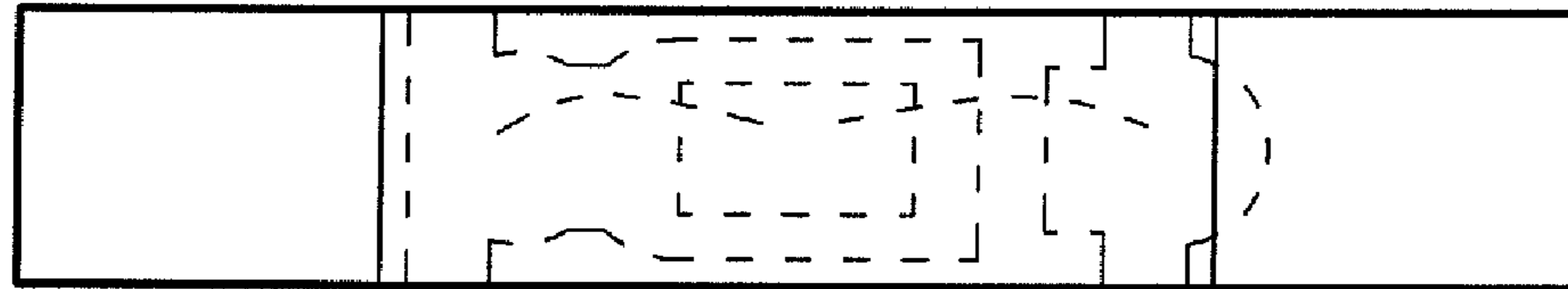


Figure 10

