



US00D579883S

(12) **United States Design Patent**
Hwang et al.

(10) **Patent No.:** **US D579,883 S**

(45) **Date of Patent:** **** Nov. 4, 2008**

(54) **FAN IMPELLER**

(75) Inventors: **Ching-Bai Hwang**, Taipei Hsien (TW);
Zhi-Hui Zhao, Shenzhen (CN); **Wen-Jie Zhang**, Shenzhen (CN)

(73) Assignee: **Foxconn Technology Co., Ltd.**,
Tu-Cheng, Taipei Hsien (TW)

(**) Term: **14 Years**

(21) Appl. No.: **29/297,446**

(22) Filed: **Nov. 12, 2007**

(51) **LOC (8) Cl.** **13-03**

(52) **U.S. Cl.** **D13/179**

(58) **Field of Classification Search** D13/179;
165/80.3, 104.33, 151, 122, 185; 257/706,
257/707, 718-722; 361/687, 695, 697, 700,
361/702, 704, 709, 710, 711, 719
See application file for complete search history.

(56) **References Cited**

U.S. PATENT DOCUMENTS

6,525,938 B1 * 2/2003 Chen 361/695
6,587,341 B1 * 7/2003 Wei 361/695
D492,654 S * 7/2004 Lei et al. D13/179
2005/0252641 A1 * 11/2005 Chang 165/80.3

2007/0267172 A1 * 11/2007 Hwang et al. 165/80.3
2008/0011461 A1 * 1/2008 Hwang et al. 165/122
2008/0117594 A1 * 5/2008 Hwang et al. 361/697
2008/0151500 A1 * 6/2008 Liang et al. 361/697

* cited by examiner

Primary Examiner—Selina Sikder

(74) *Attorney, Agent, or Firm*—Frank R. Niranjan

(57) **CLAIM**

The ornamental design for a fan impeller, as shown and described.

DESCRIPTION

FIG. 1 is a perspective view of a fan impeller of our new design;

FIG. 2 is a front elevational view thereof;

FIG. 3 is a rear elevational view thereof;

FIG. 4 is a left side elevational view thereof;

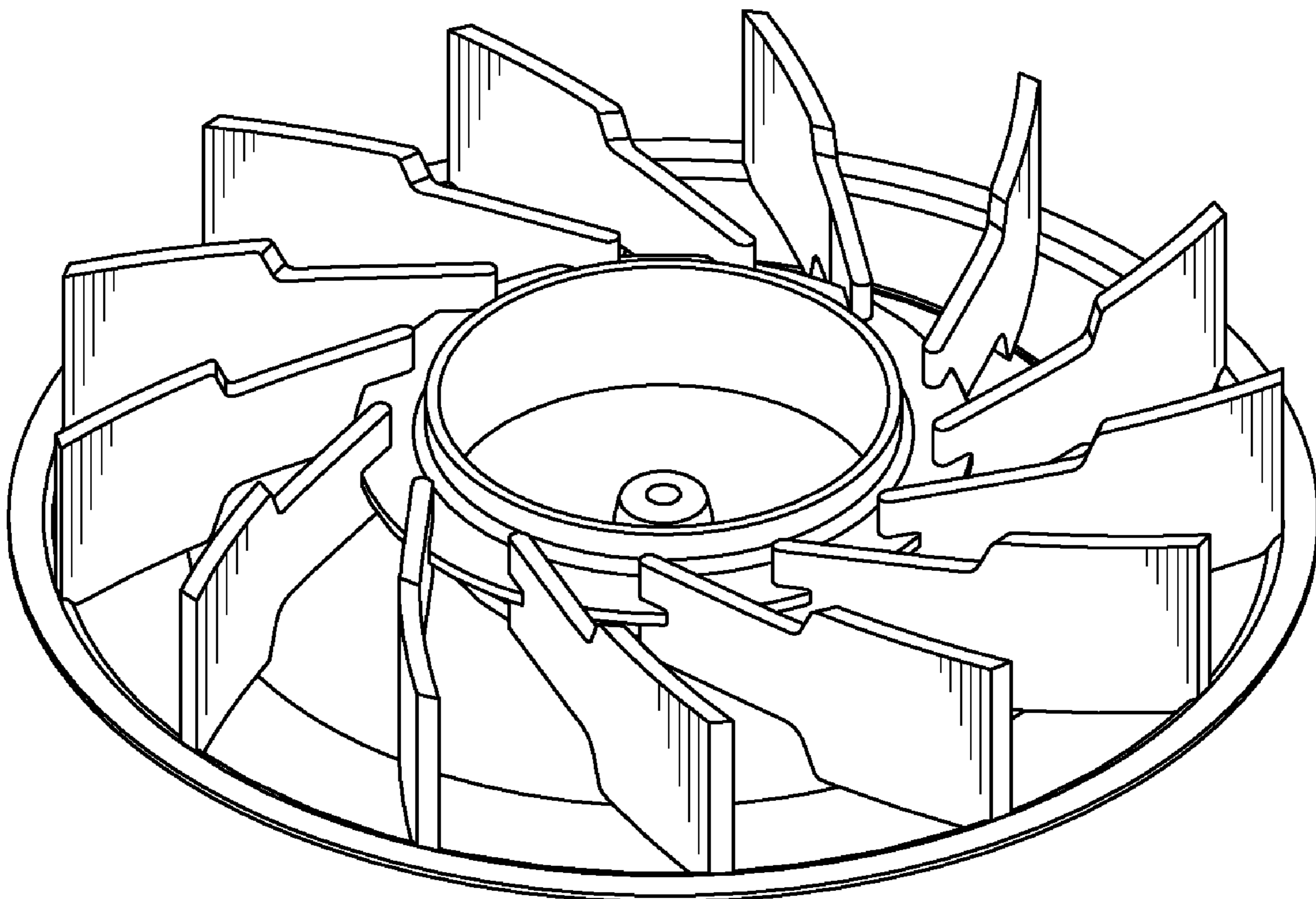
FIG. 5 is a right side elevational view thereof;

FIG. 6 is a top plan view thereof;

FIG. 7 is a bottom plan view thereof; and,

FIG. 8 is a bottom perspective view thereof.

1 Claim, 8 Drawing Sheets



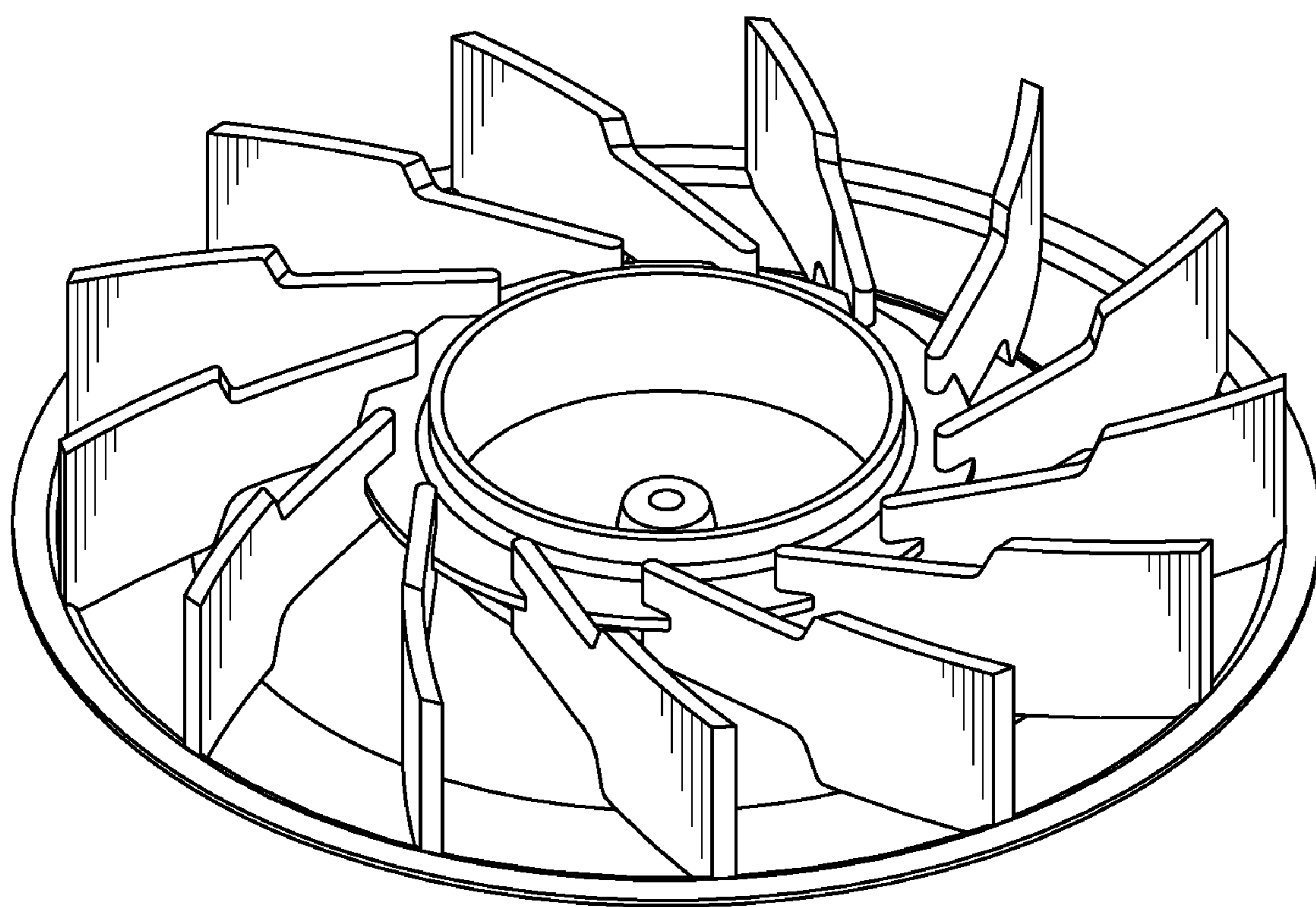


FIG. 1

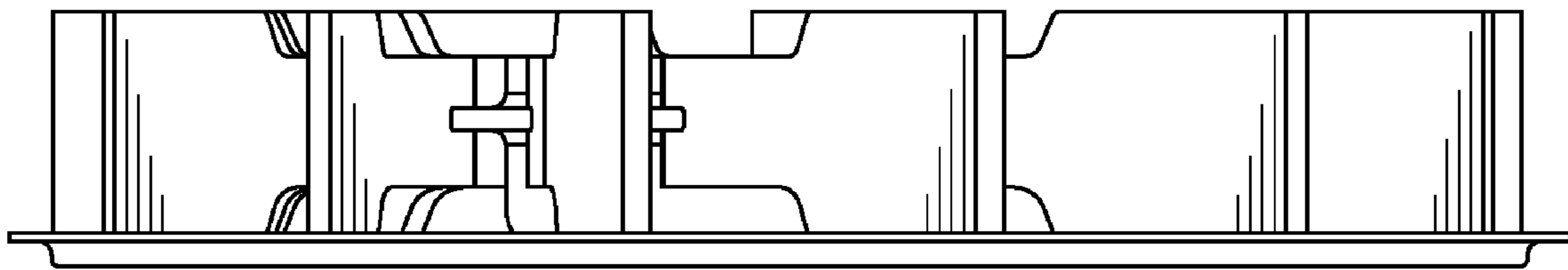


FIG. 2

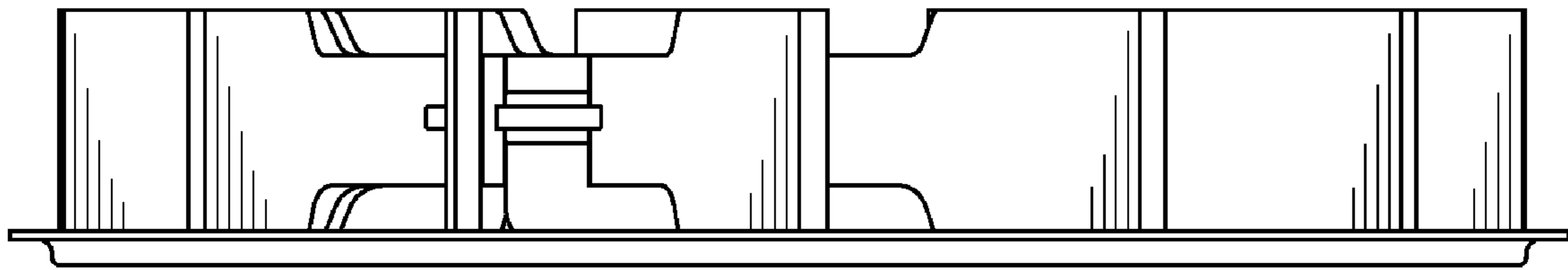


FIG. 3

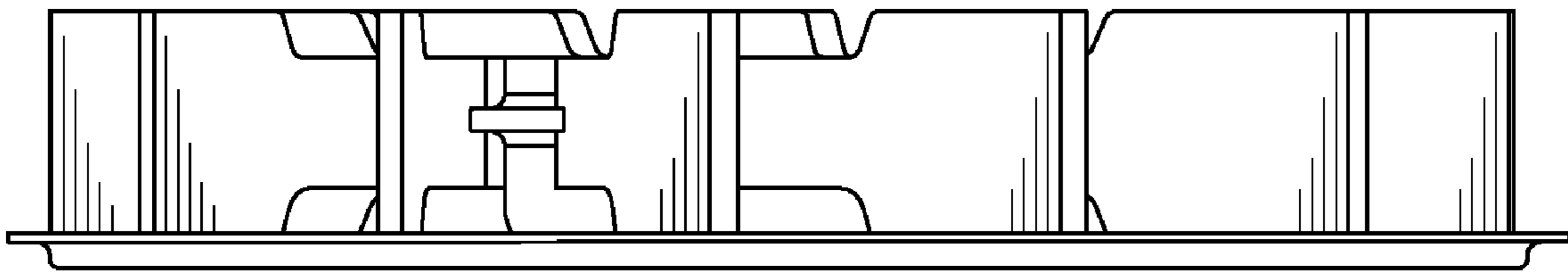


FIG. 4

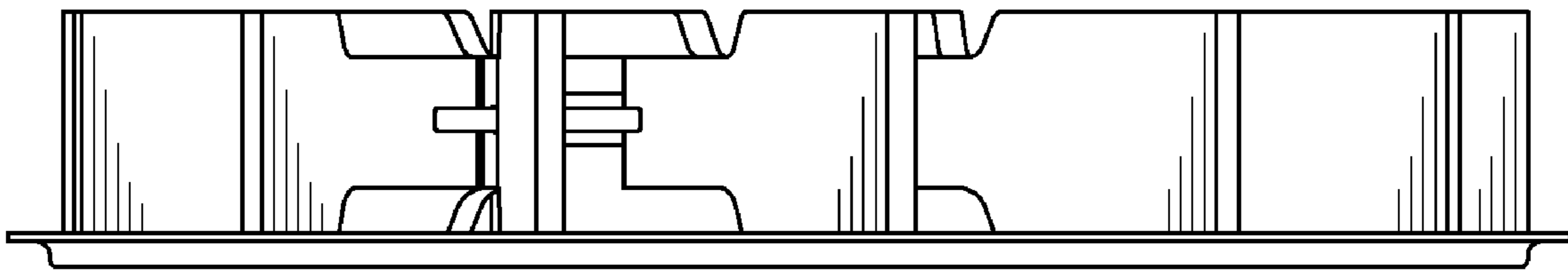


FIG. 5

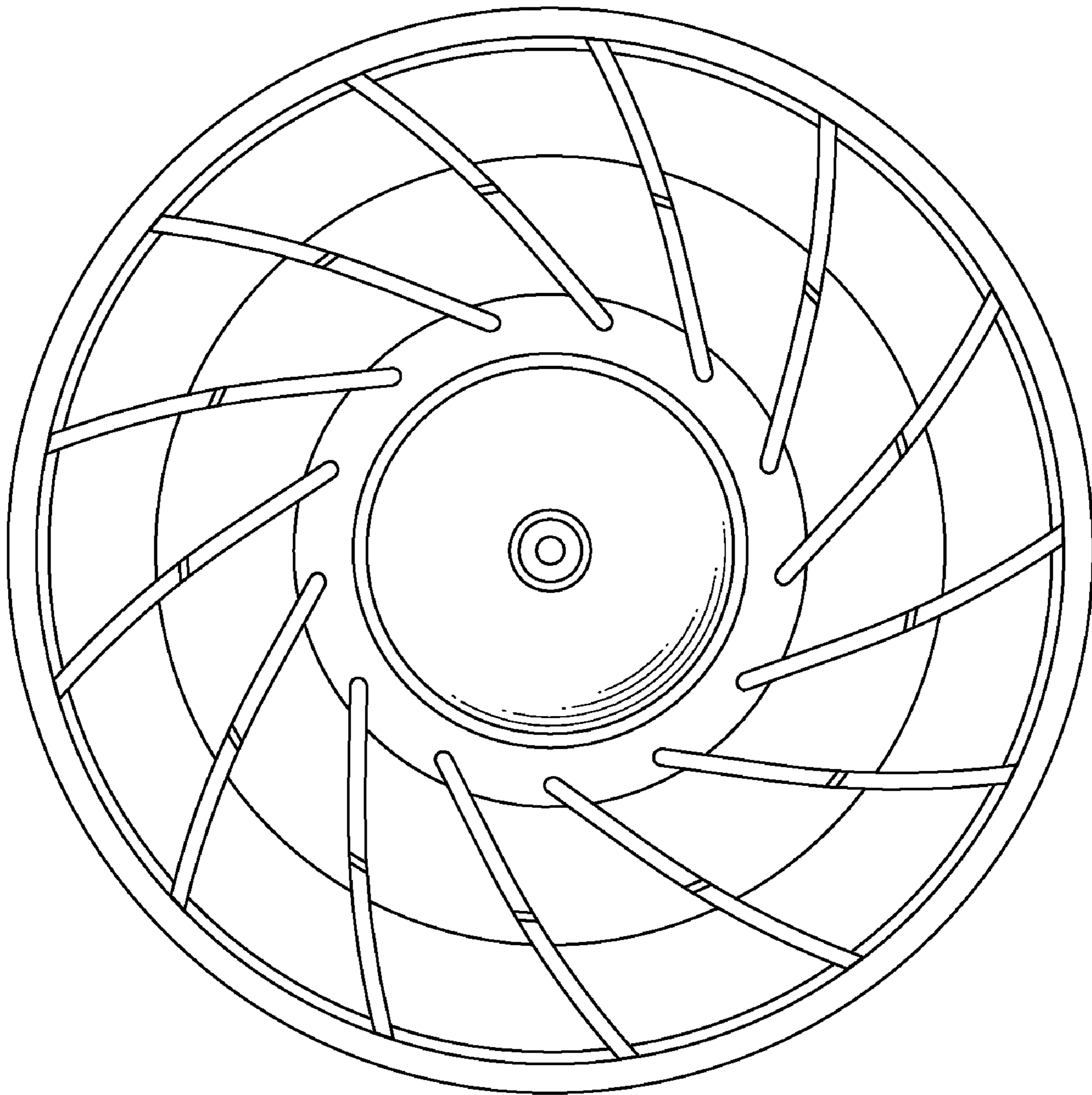


FIG. 6

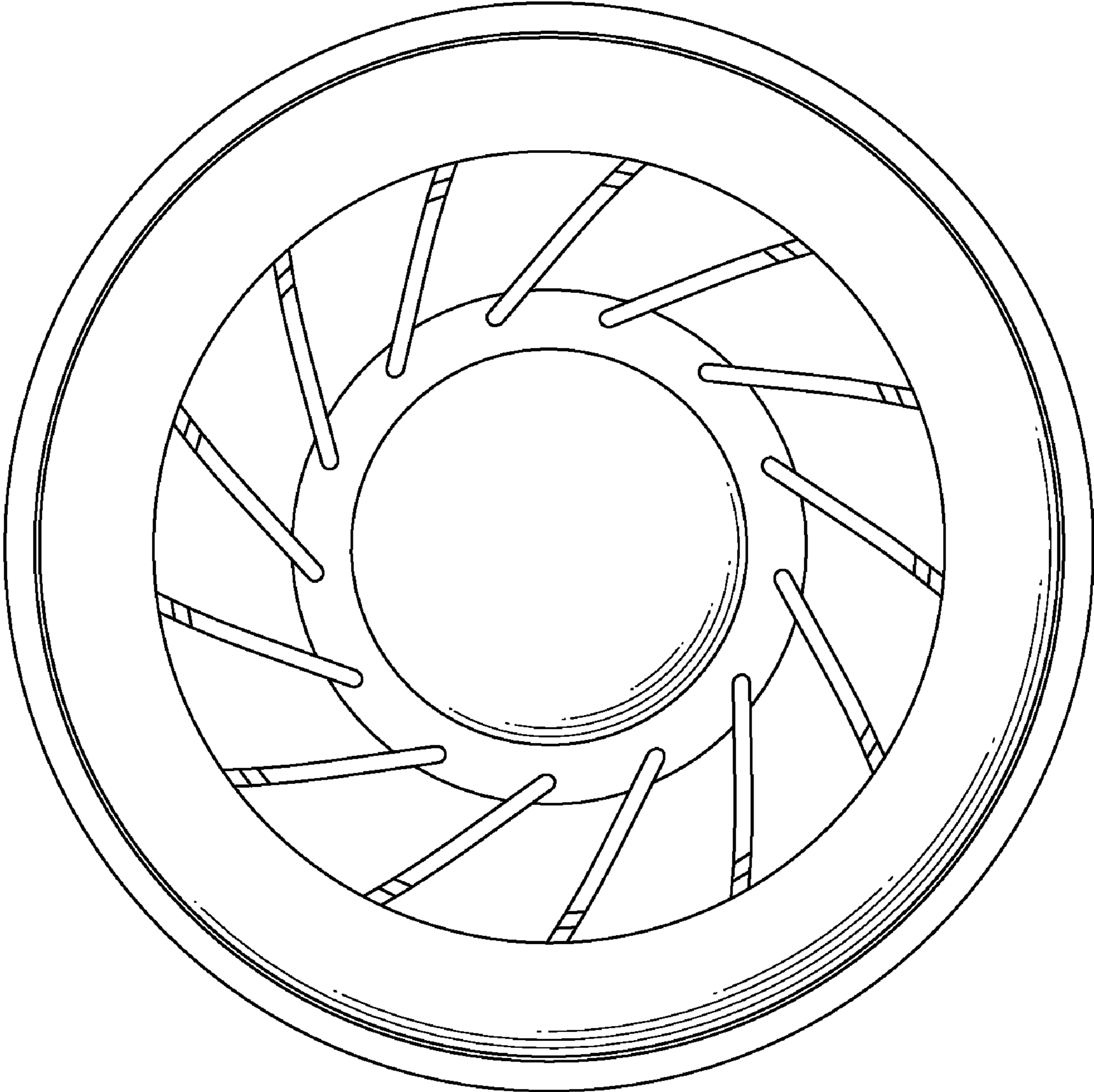


FIG. 7

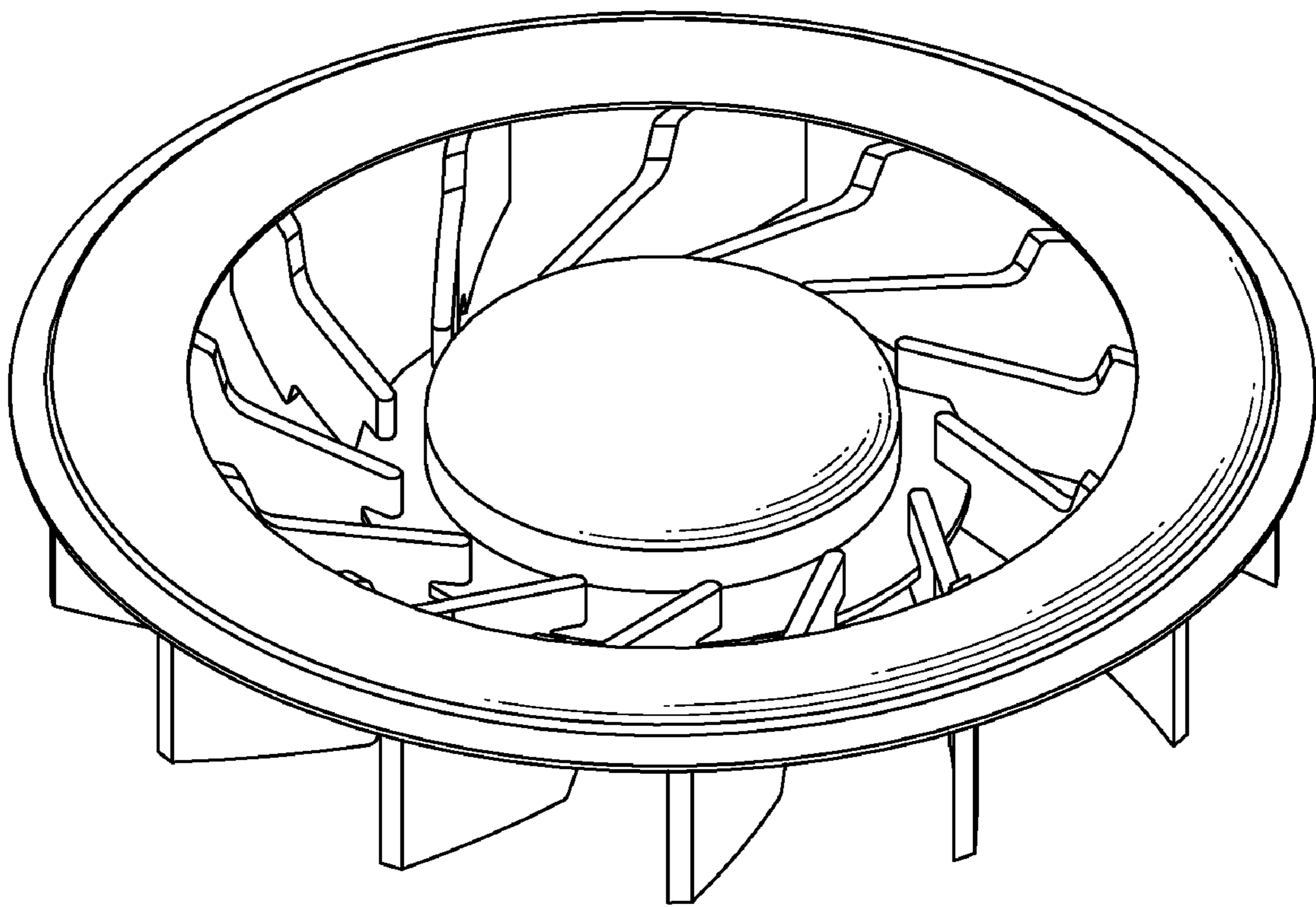


FIG. 8