



US00D579881S

(12) **United States Design Patent**
Aromin

(10) **Patent No.:** **US D579,881 S**

(45) **Date of Patent:** **** Nov. 4, 2008**

(54) **MINI-MANUAL RESET GROUND FAULT
CIRCUIT INTERRUPTER**

2008/0094764 A1* 4/2008 Zhang et al. 361/42

* cited by examiner

(75) Inventor: **Victor V. Aromin**, West Warwick, RI
(US)

Primary Examiner—Daniel D Bui
Assistant Examiner—Thomas J Johannes

(73) Assignee: **Tower Manufacturing Corporation**,
Providence, RI (US)

(74) *Attorney, Agent, or Firm*—Kriegsman & Kriegsman

(**) Term: **14 Years**

(57) **CLAIM**

(21) Appl. No.: **29/293,396**

The ornamental design for a mini-manual reset ground fault circuit interrupter, as shown and described.

(22) Filed: **Nov. 20, 2007**

DESCRIPTION

(51) **LOC (8) Cl.** **13-03**

(52) **U.S. Cl.** **D13/160**

(58) **Field of Classification Search** D13/123,
D13/133, 138.1, 138.2, 158, 160; 174/65 R,
174/77 R, 92, 42, 45, 50

See application file for complete search history.

FIG. 1 is a perspective view from the top of a mini-manual reset ground fault circuit interrupter showing my new design;

FIG. 2 is a perspective view from the bottom thereof;

FIG. 3 is a top plan view thereof;

FIG. 4 is a bottom plan view thereof;

FIG. 5 is a right side view thereof;

FIG. 6 is a left side view thereof;

FIG. 7 is a right end view thereof; and,

FIG. 8 is a left end view thereof.

(56) **References Cited**

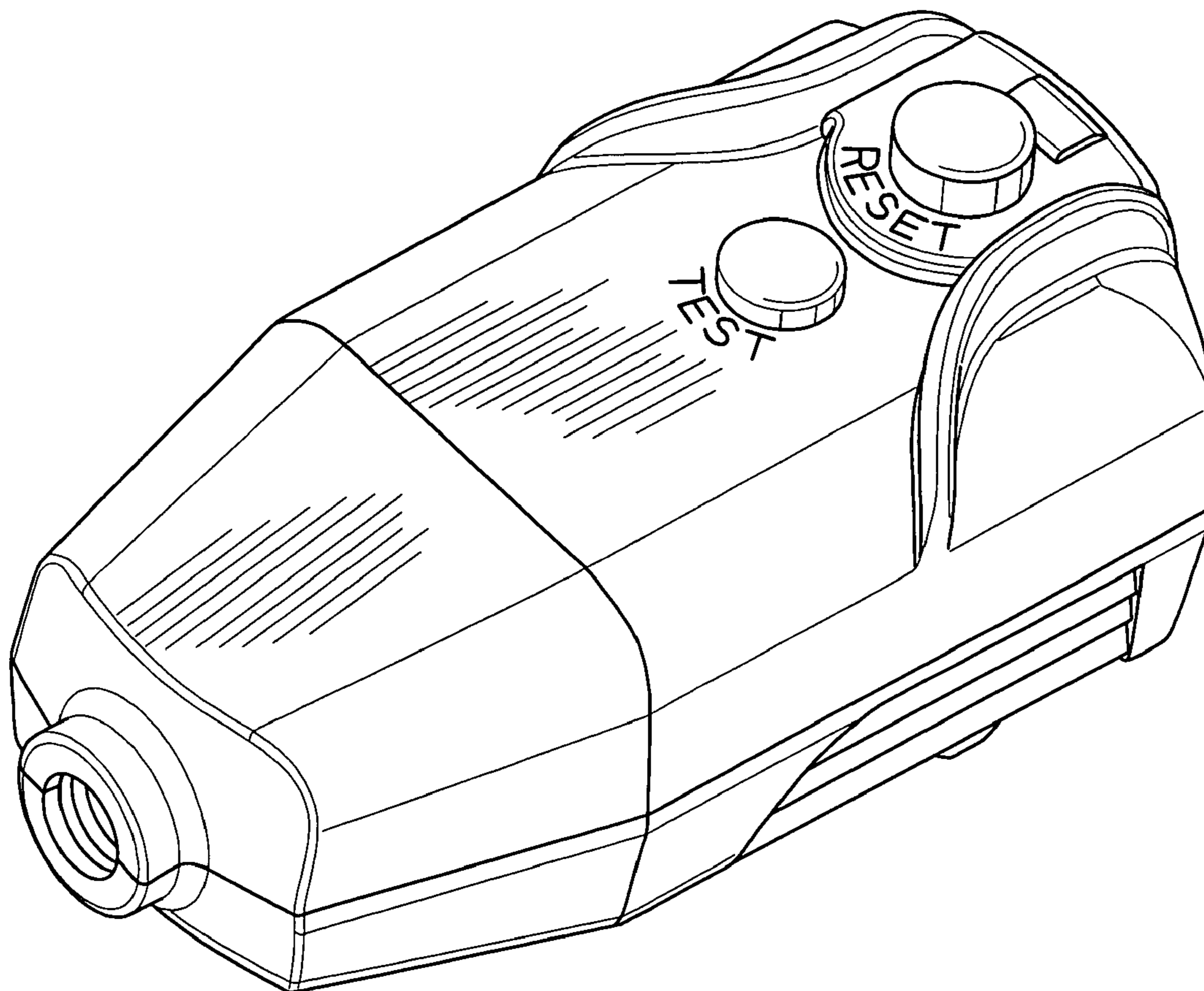
U.S. PATENT DOCUMENTS

D414,747 S * 10/1999 Aromin D13/160

D434,010 S * 11/2000 Stekelenburg D13/160

D451,481 S * 12/2001 MacKay D13/169

1 Claim, 7 Drawing Sheets



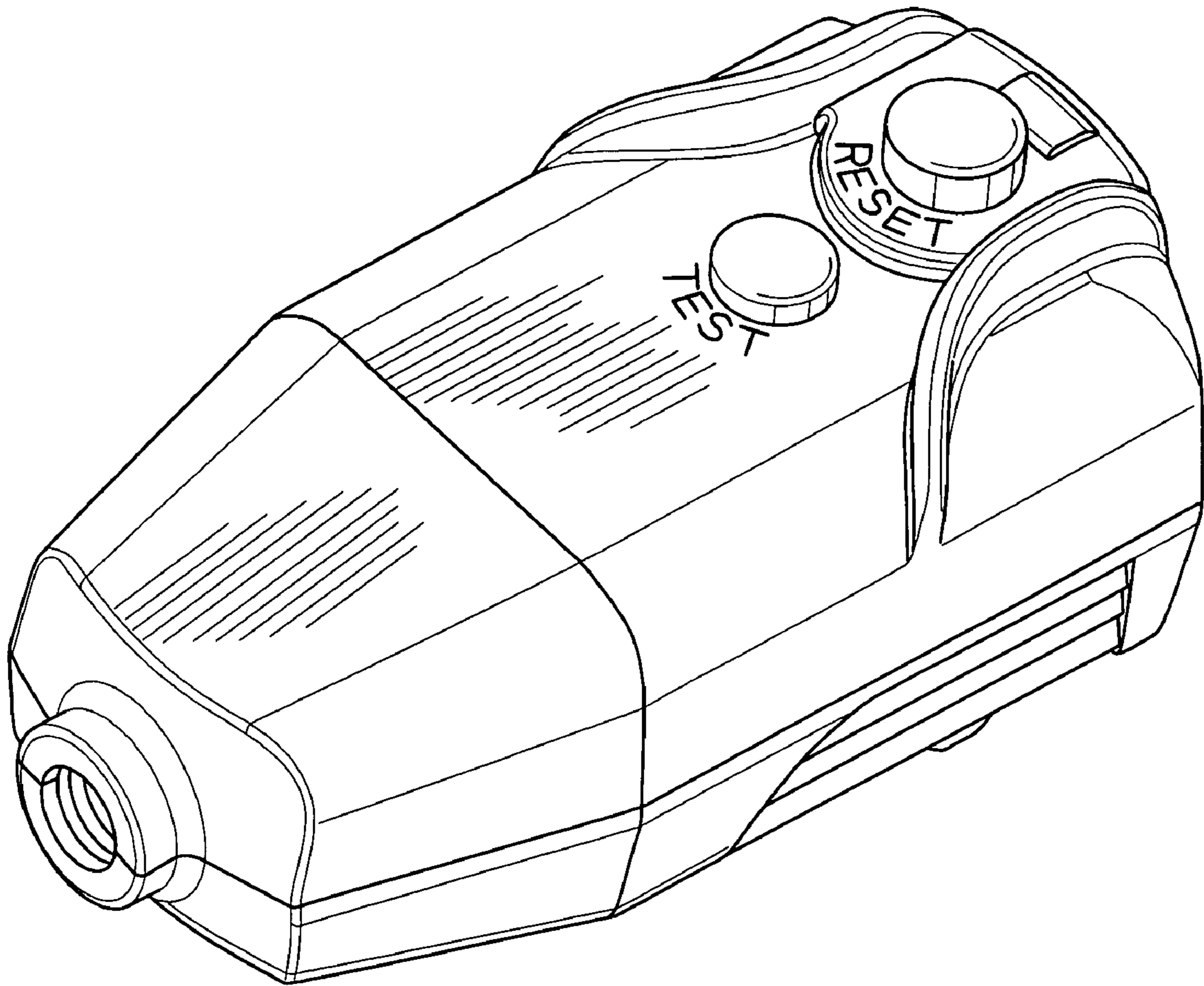


FIG. 1

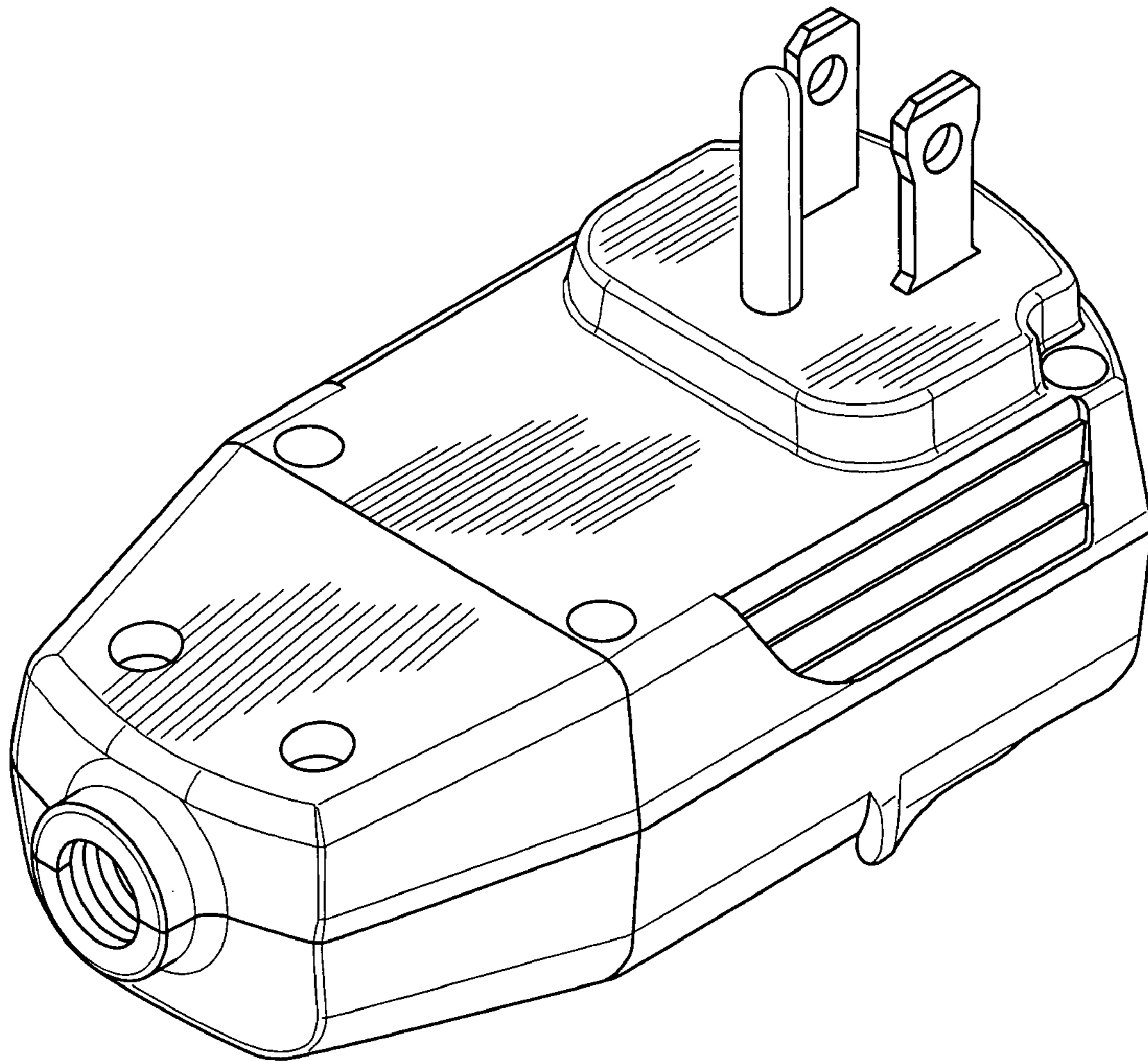


FIG. 2

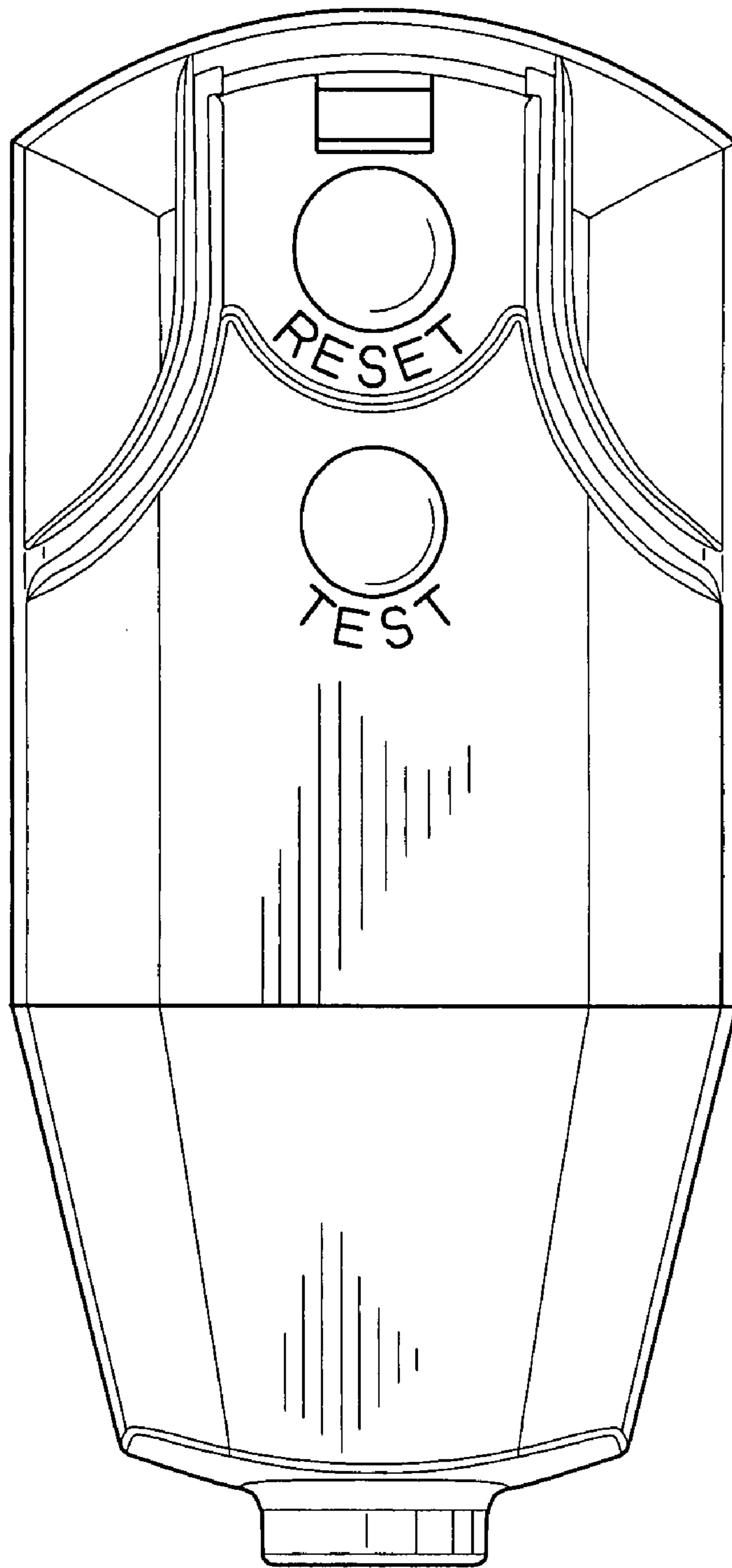


FIG. 3

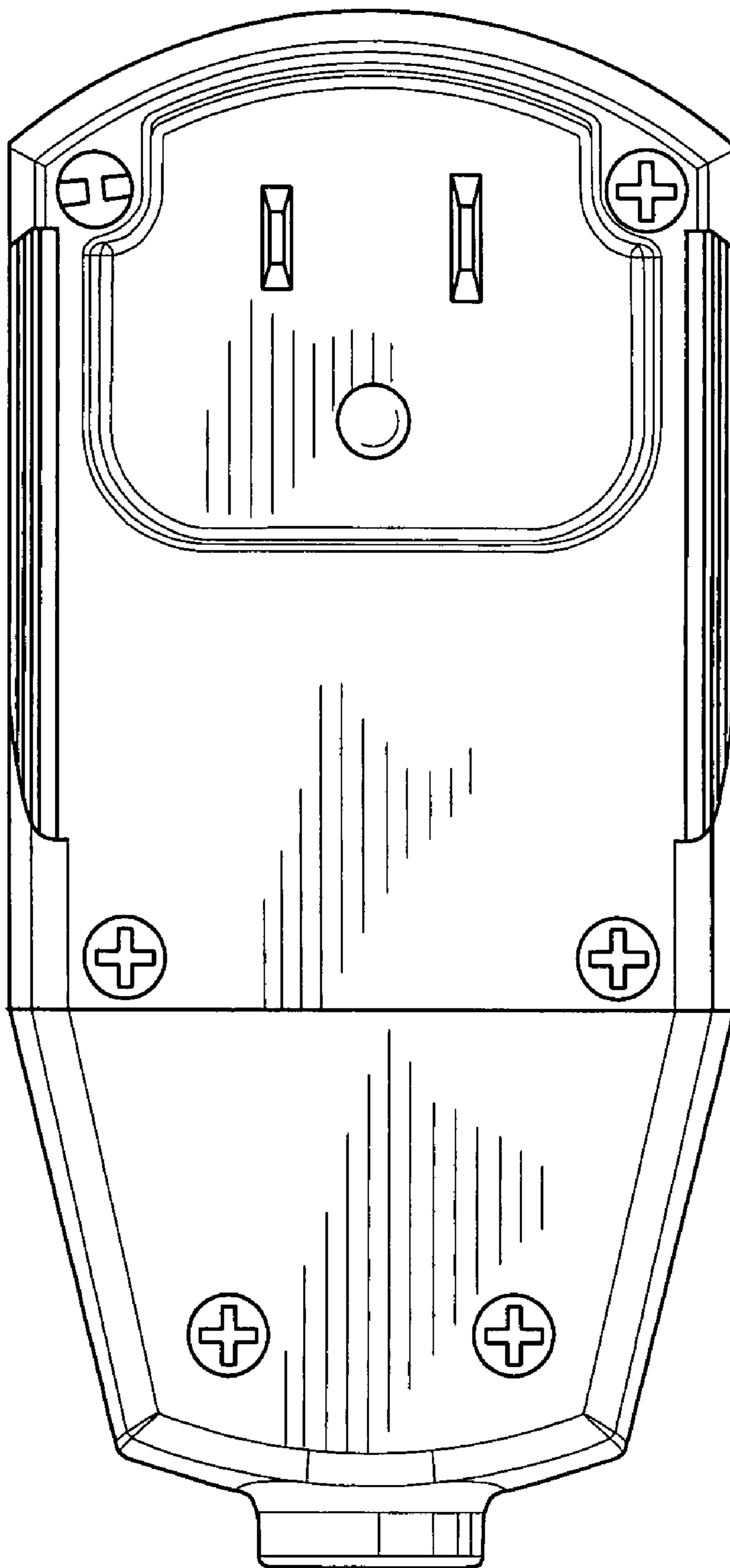


FIG. 4

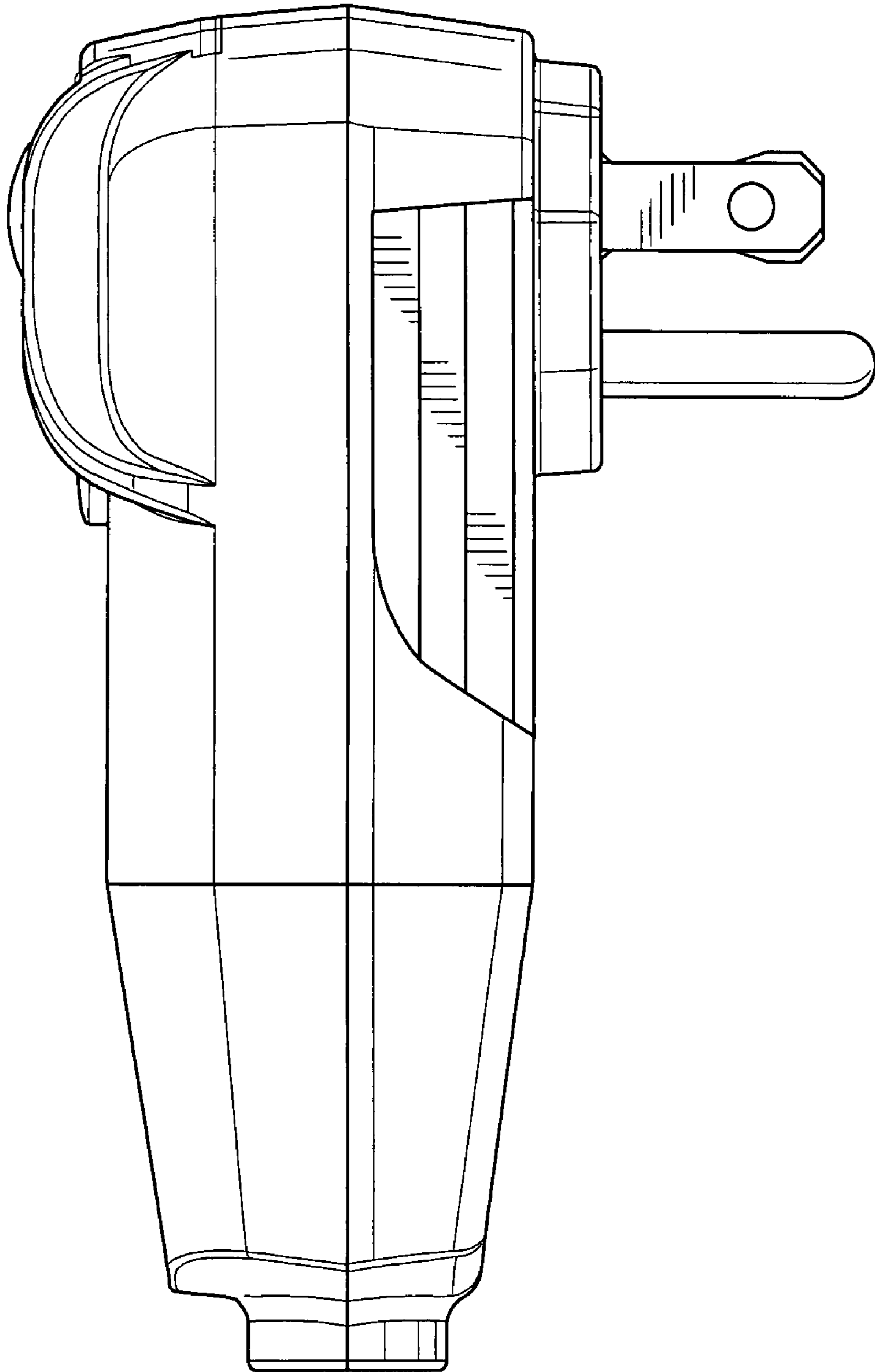


FIG. 5

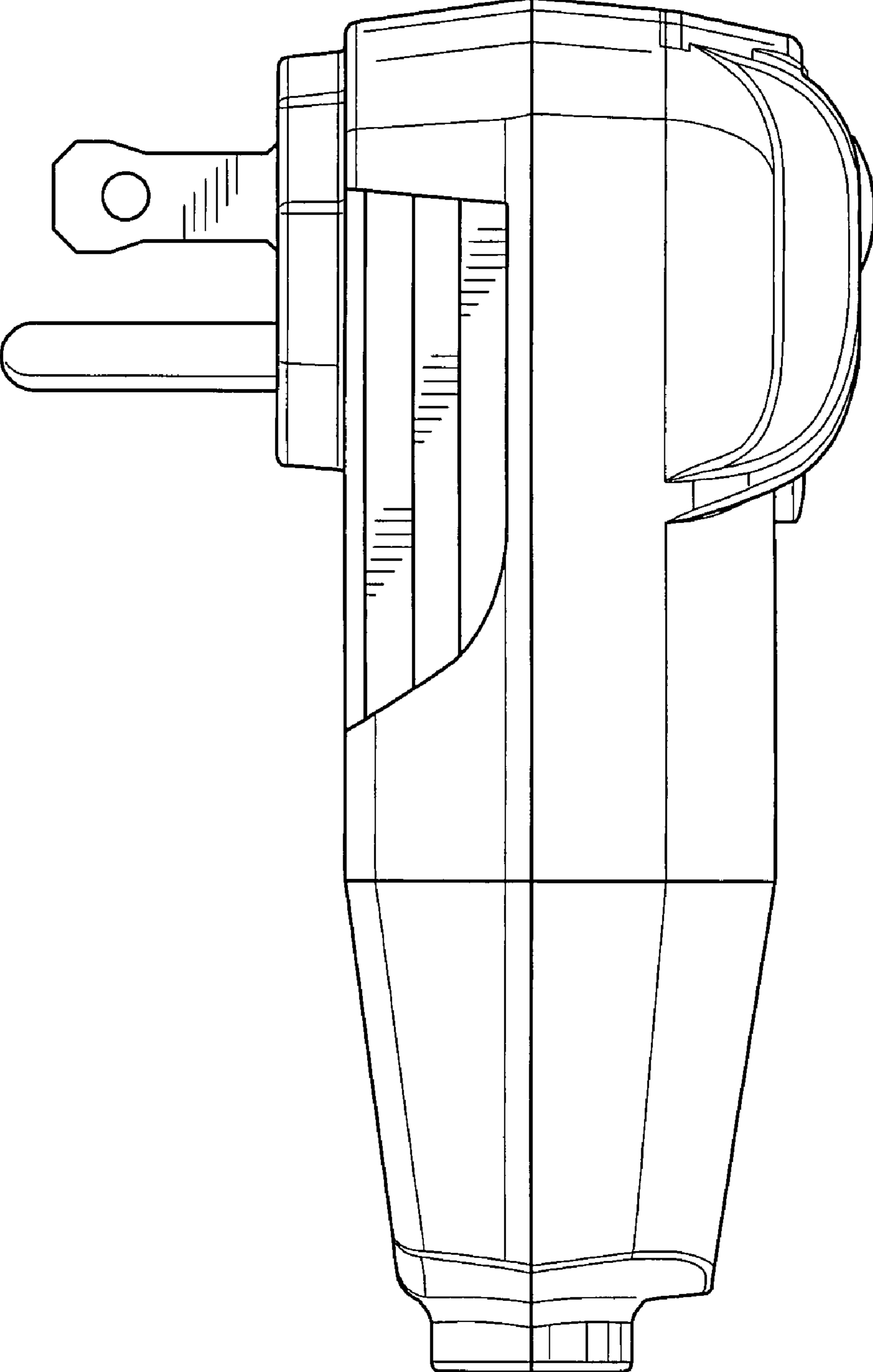


FIG. 6

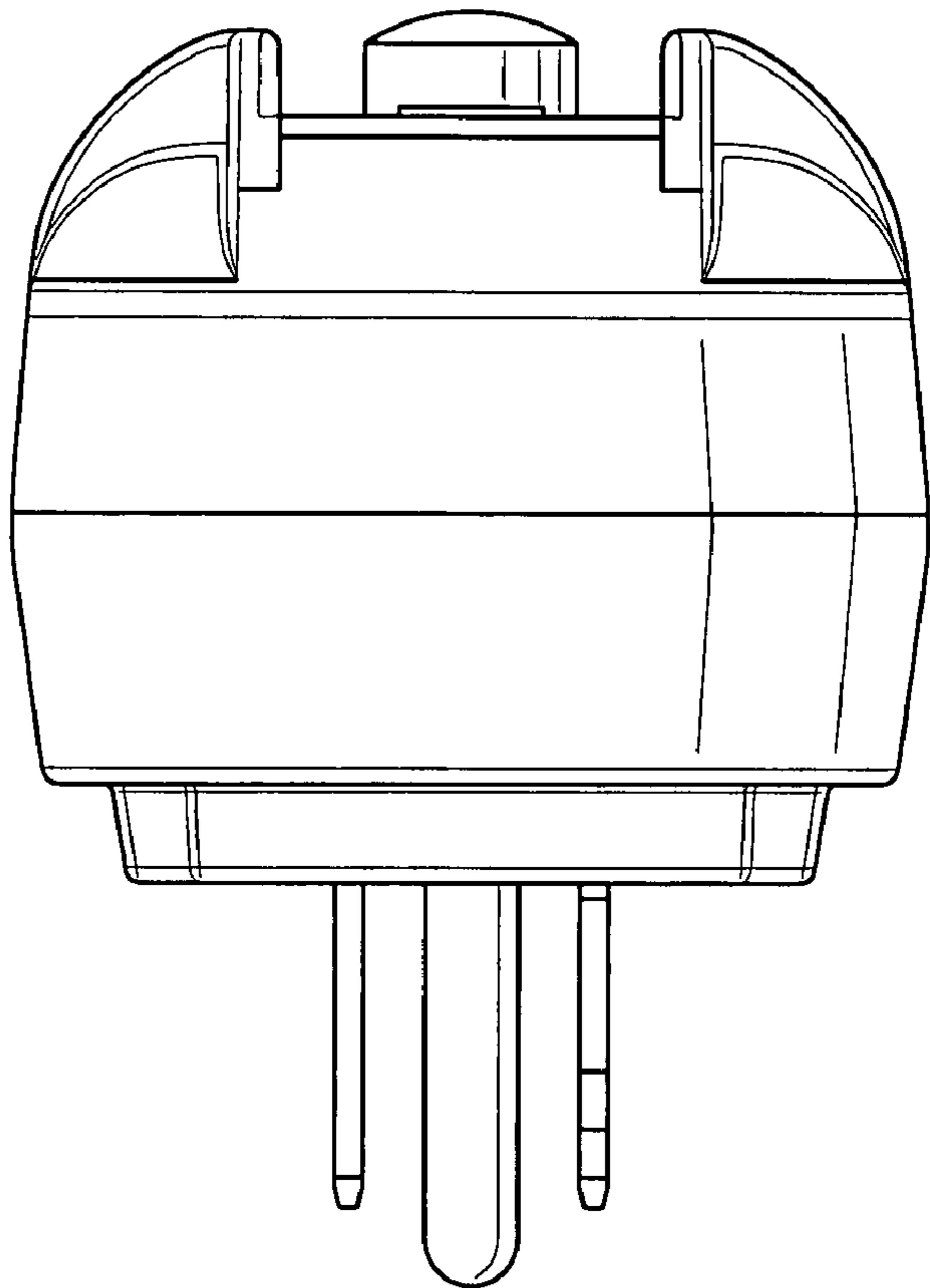


FIG. 7

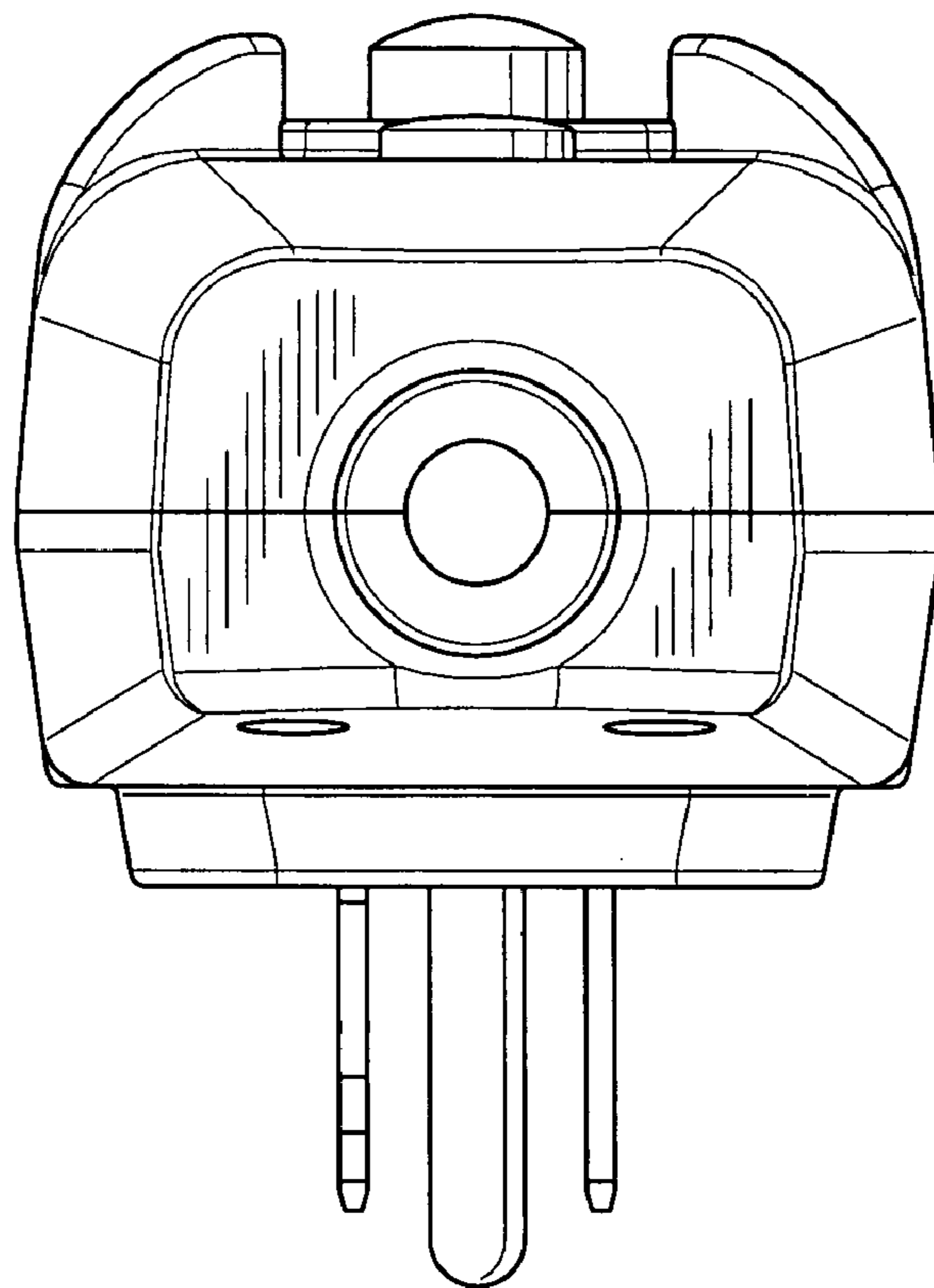


FIG. 8