



US00D579880S

(12) **United States Design Patent**
Birmingham et al.

(10) **Patent No.:** **US D579,880 S**

(45) **Date of Patent:** **** Nov. 4, 2008**

(54) **DOMINO-MAHJONG STYLE CONNECTOR**

D373,192 S * 8/1996 Murphy et al. D24/129

(75) Inventors: **Blair A. Birmingham**, Toronto (CA);
John R. Shaw, Toronto (CA); **John Giordano**, Brampton (CA); **Miro Glisch**, Toronto (CA); **Colin Szeto**, North York (CA)

* cited by examiner

Primary Examiner—Daniel D Bui

(73) Assignee: **ATI Technologies Inc.**, Markham, Ontario

(57) **CLAIM**

The ornamental design for a domino-mahjong style connector, as shown and described.

(**) Term: **14 Years**

DESCRIPTION

(21) Appl. No.: **29/269,937**

FIG. 1 is a top, front and right side perspective view of a domino-mahjong style connector, showing our new design. The top, front and left side perspective view thereof is a mirror image thereto;

(22) Filed: **Dec. 12, 2006**

FIG. 2 is a bottom, front and right side perspective view thereof, the bottom, front and left side perspective view is a mirror image thereto;

Related U.S. Application Data

(62) Division of application No. 29/237,320, filed on Aug. 31, 2005.

FIG. 3 is a top plan view thereof;

(51) **LOC (8) Cl.** **13-03**

FIG. 4 is a front elevation view thereof;

(52) **U.S. Cl.** **D13/154; D13/133; D13/147**

FIG. 5 is a bottom plan view thereof;

(58) **Field of Classification Search** D13/133, D13/146-147, 154-184, 199; 439/252, 378-381, 439/540.1, 541.5, 660, 668-669, 675-681
See application file for complete search history.

FIG. 6 is a rear elevation view thereof;

FIG. 7 is a right side elevation view thereof; and,

FIG. 8 is a left side elevation view thereof.

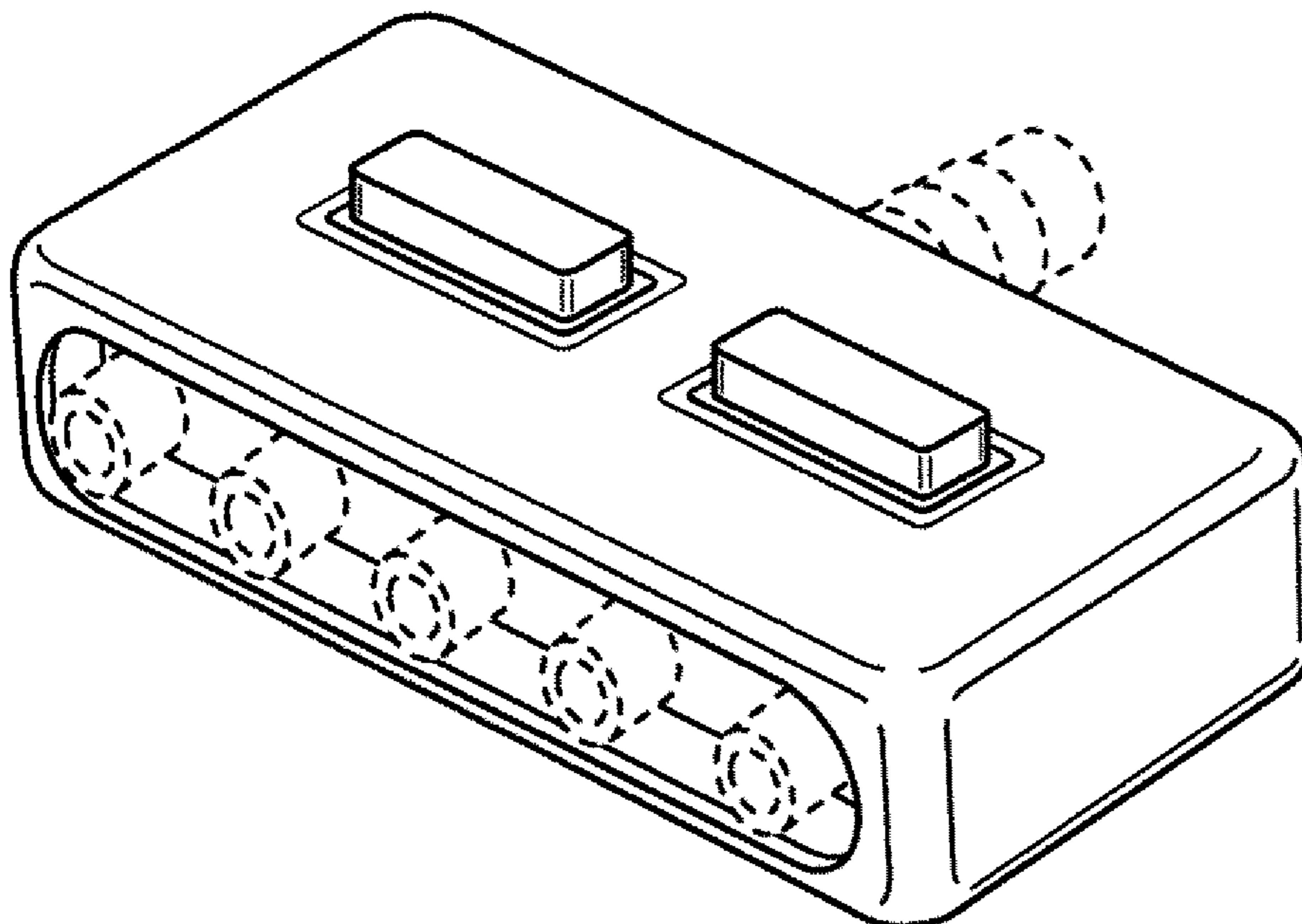
(56) **References Cited**

The broken line portion of the figure drawings is included to show unclaimed subject matter only and forms no part of the claimed design.

U.S. PATENT DOCUMENTS

D366,242 S * 1/1996 Goto D13/147
D372,460 S * 8/1996 Aramaki D13/147

1 Claim, 2 Drawing Sheets



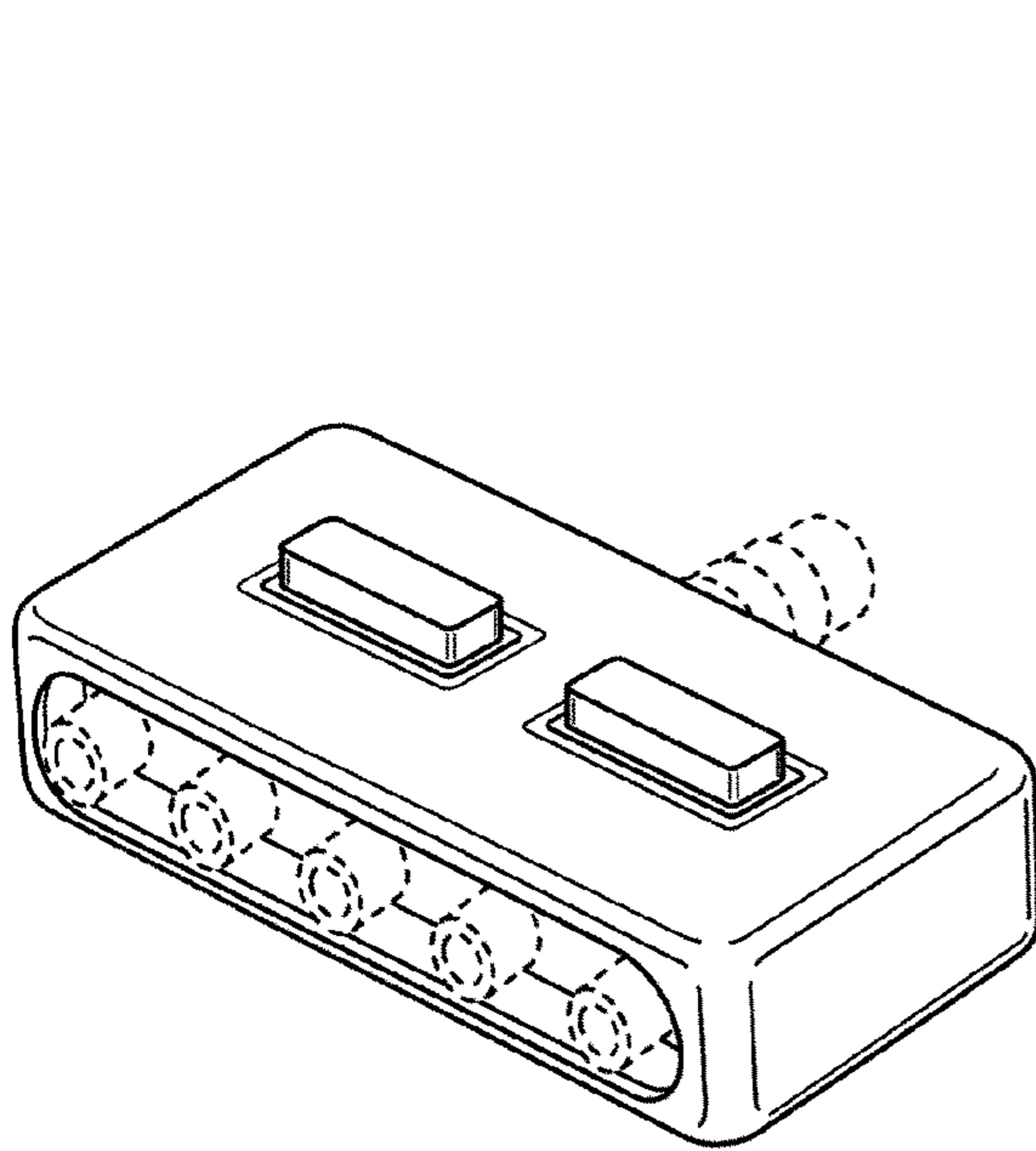


FIG. 1

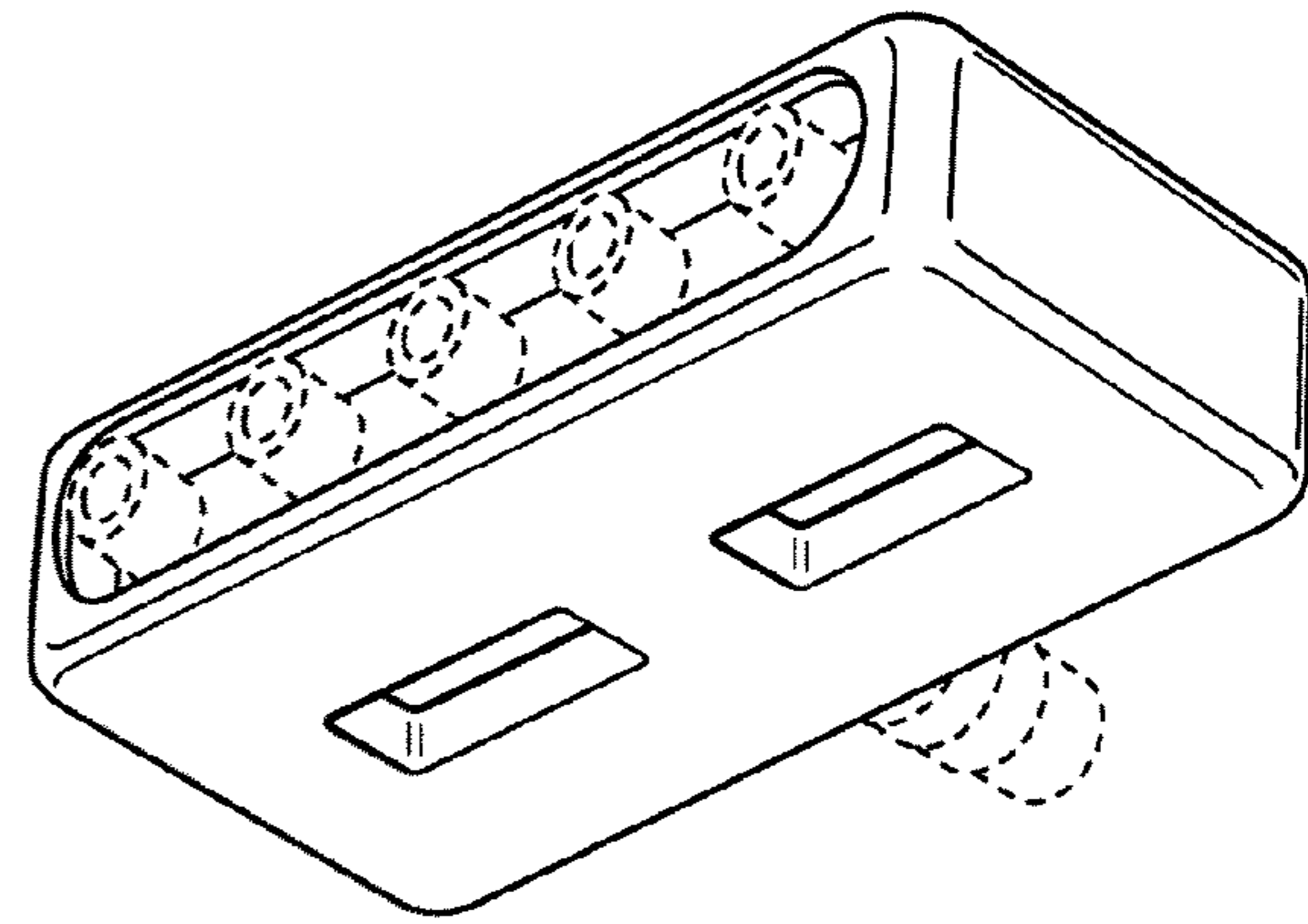


FIG. 2

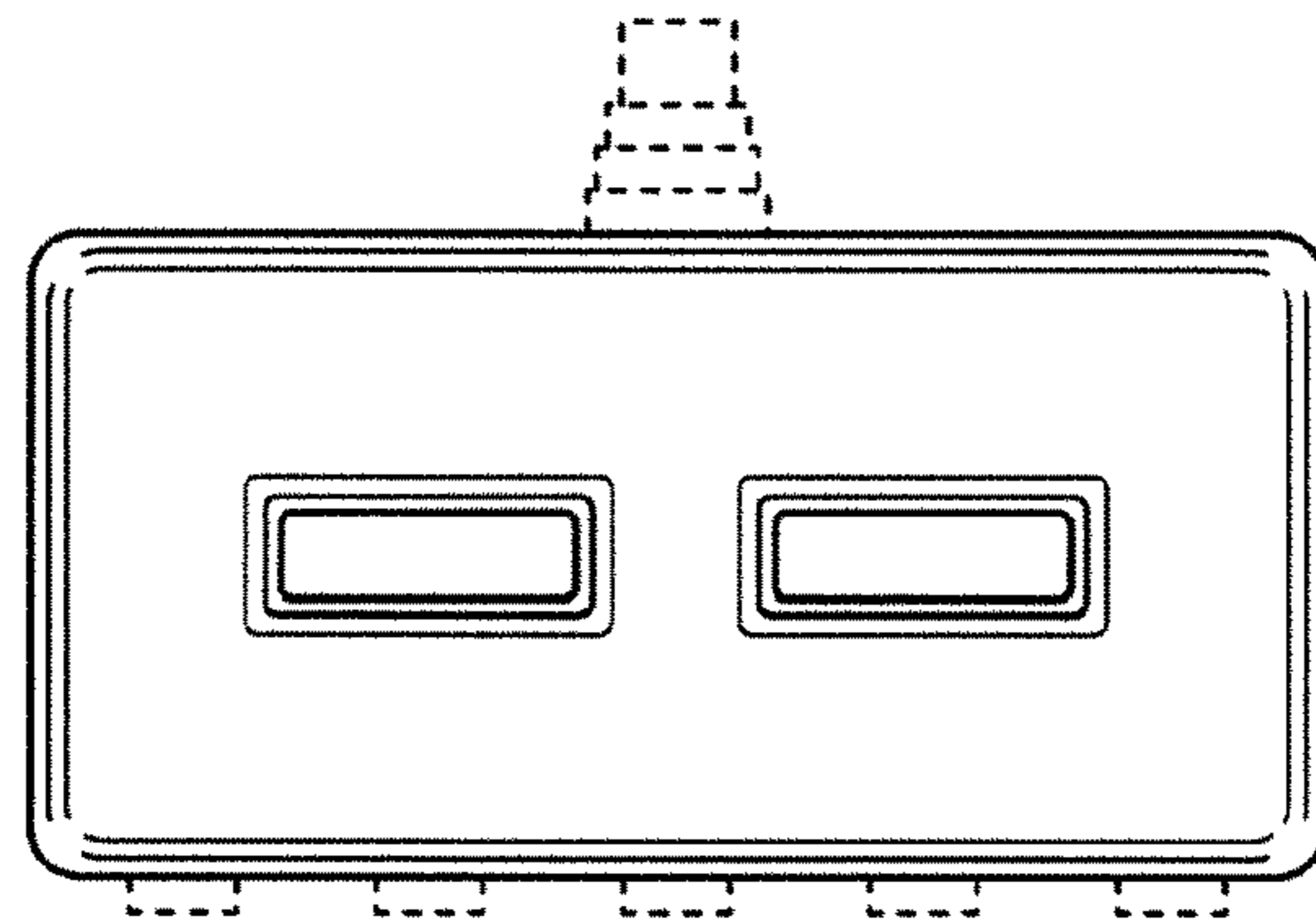


FIG. 3

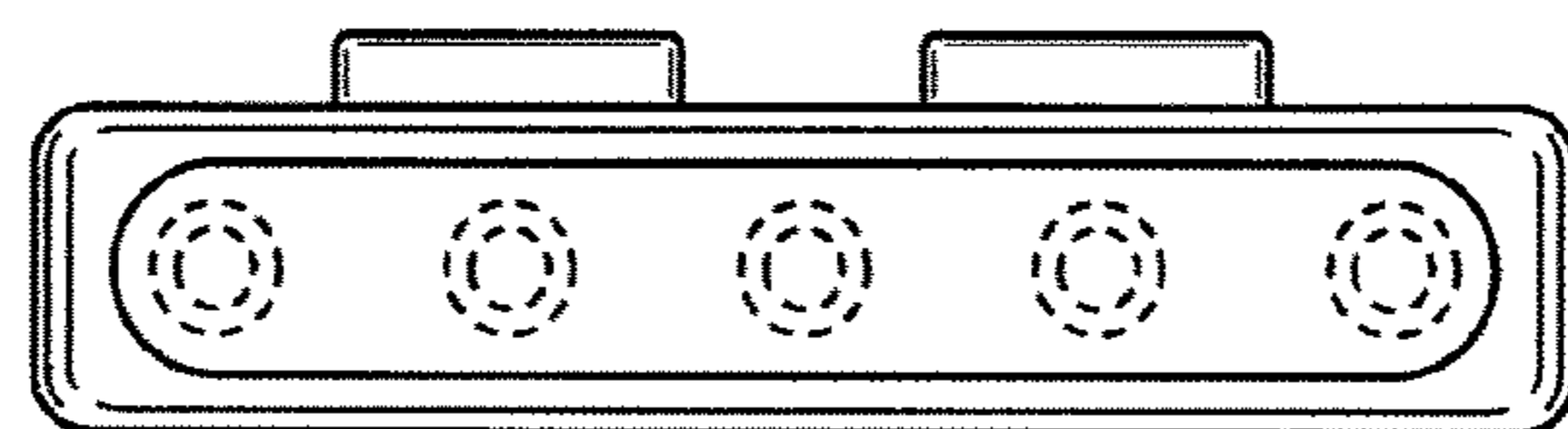


FIG. 4

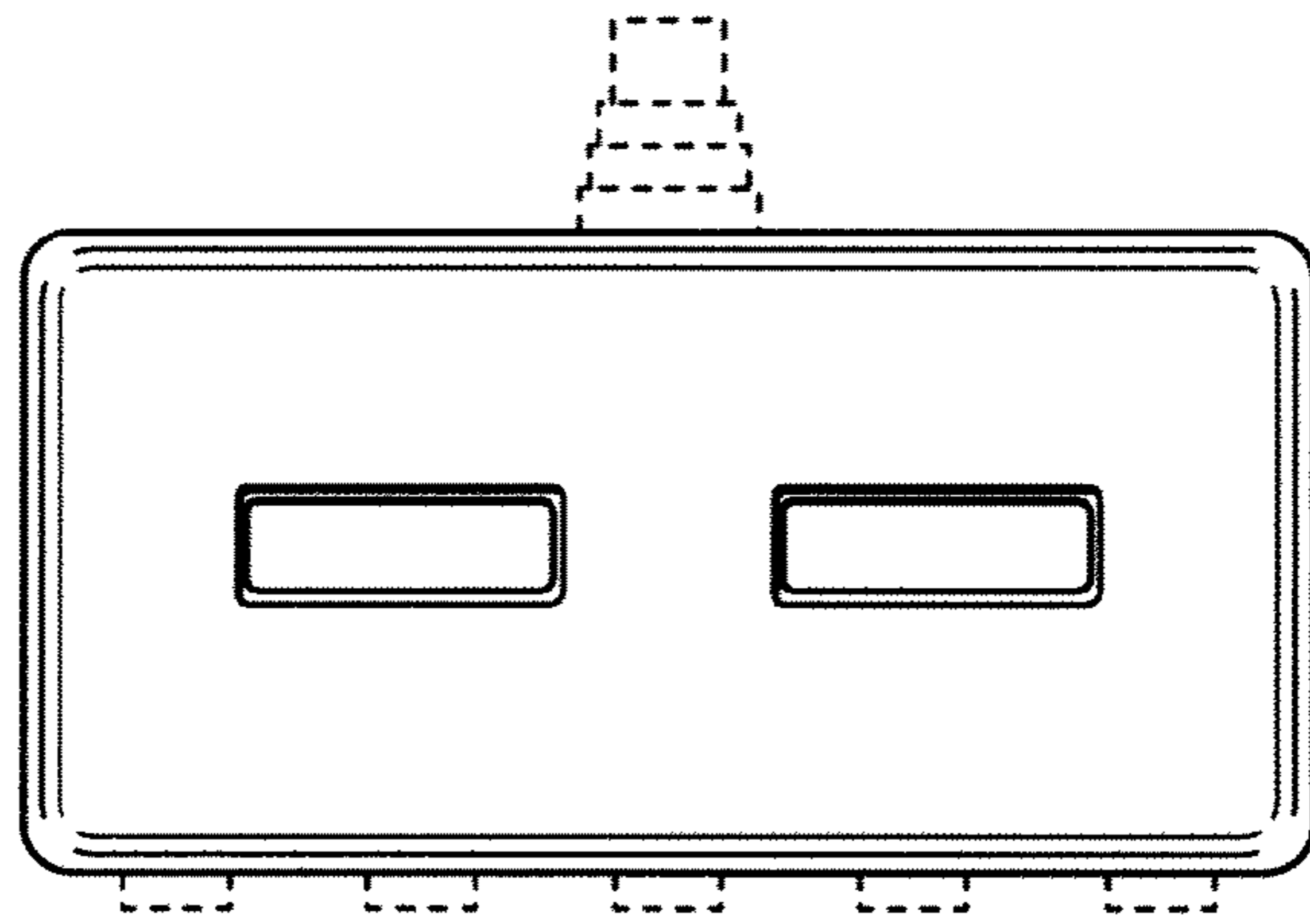


FIG. 5

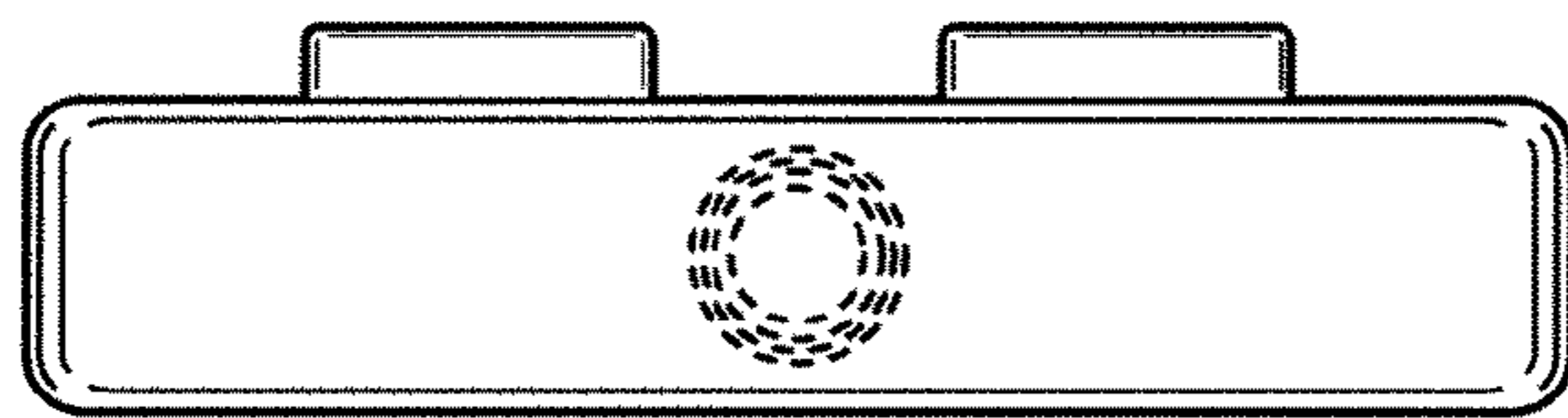


FIG. 6

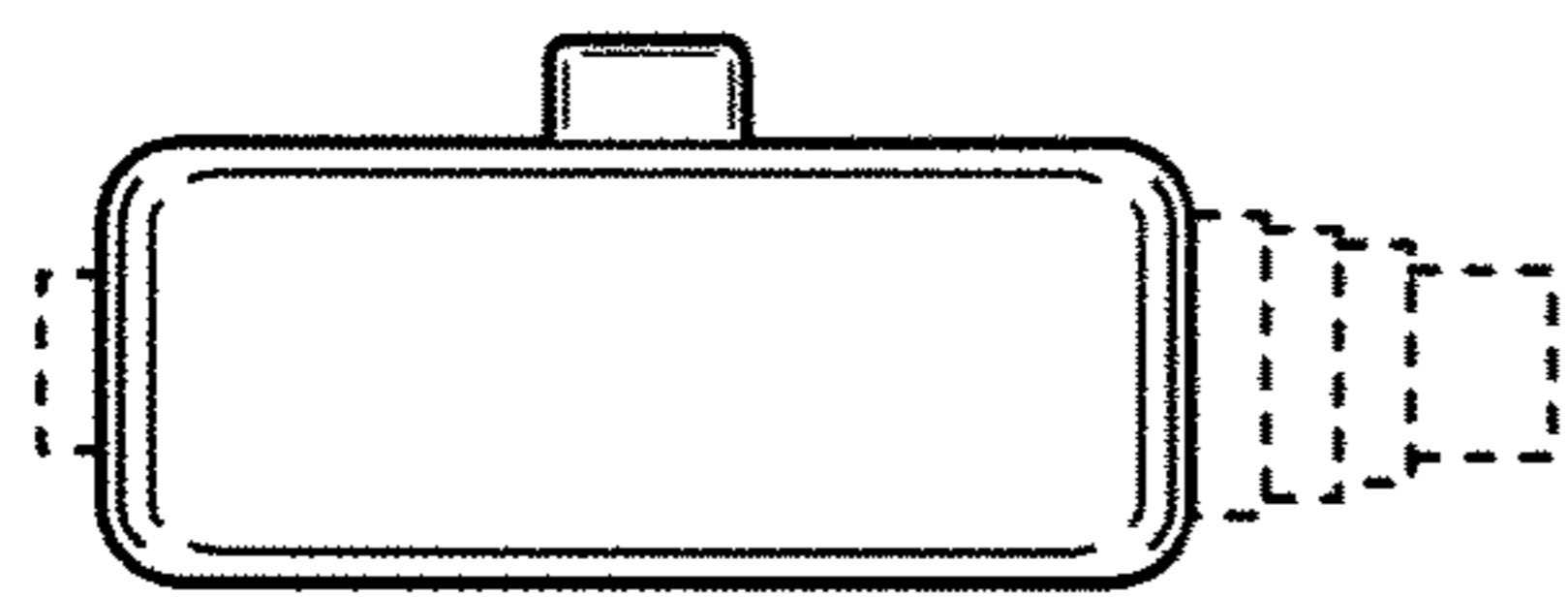


FIG. 7

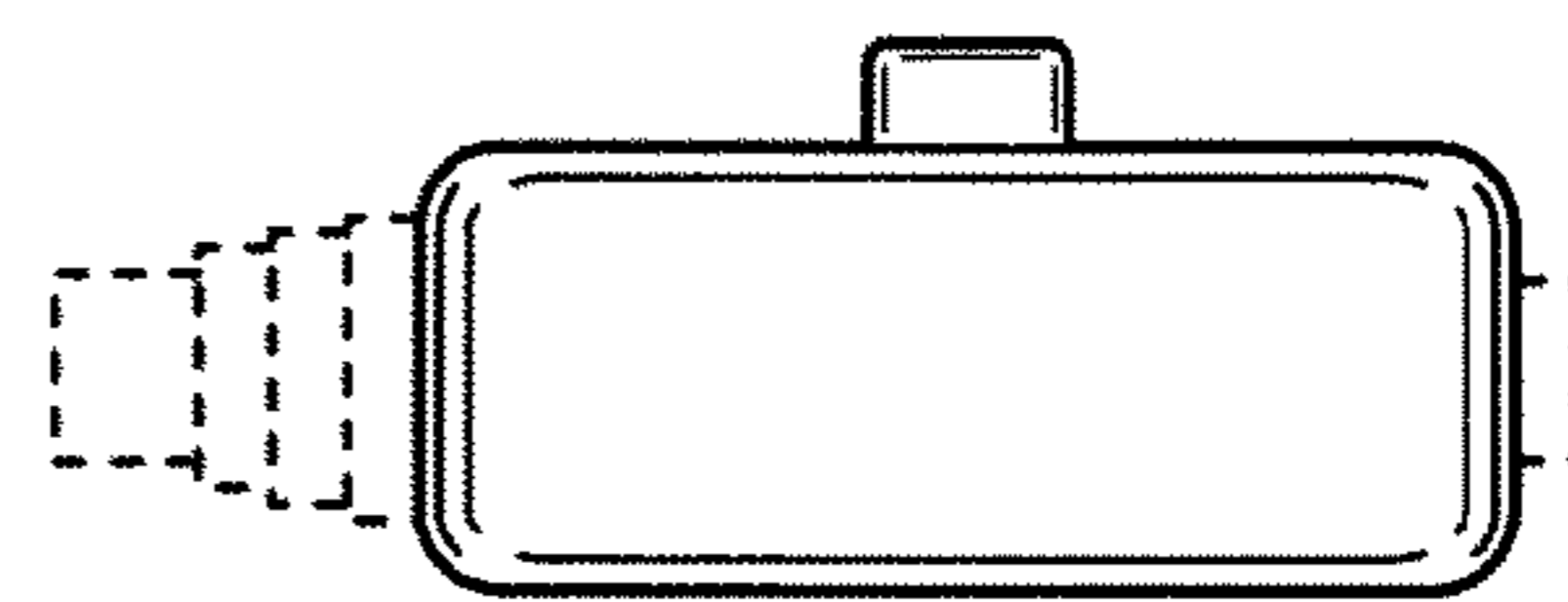


FIG. 8