



US00D579879S

(12) **United States Design Patent**  
**Wegner et al.**

(10) **Patent No.:** **US D579,879 S**  
(45) **Date of Patent:** **\*\* Nov. 4, 2008**

(54) **ELECTRICAL BOX EXTENSION**

(76) Inventors: **Wesley Gene Wegner**, 3486 Robin Hill,  
Thousand Oaks, CA (US) 91360; **Paul**  
**Brett Wegner**, 425 W. Maple Ave., El  
Segundo, CA (US) 90245

(\*\*) Term: **14 Years**

(21) Appl. No.: **29/296,986**

(22) Filed: **Oct. 31, 2007**

**Related U.S. Application Data**

(63) Continuation-in-part of application No. 10/971,921,  
filed on Oct. 21, 2004.

(51) **LOC (8) Cl.** ..... **13-03**

(52) **U.S. Cl.** ..... **D13/152**

(58) **Field of Classification Search** ..... D13/133,  
D13/152, 154, 158, 139.3; 220/3.2, 3.92,  
220/4.03; 174/53, 58, 73

See application file for complete search history.

(56) **References Cited**

**U.S. PATENT DOCUMENTS**

2,875,915 A \* 3/1959 Buckels ..... 220/3.92  
3,651,245 A 3/1972 Moll  
3,955,701 A 5/1976 Fisch

4,634,015 A 1/1987 Taylor  
5,012,043 A 4/1991 Seymour  
D341,353 S \* 11/1993 O ..... D13/152  
5,293,003 A 3/1994 Prairie, Jr.  
5,931,325 A 8/1999 Filipov  
6,649,835 B2 11/2003 Gilleran  
6,820,760 B2 \* 11/2004 Wegner et al. .... 220/4.03  
D539,751 S \* 4/2007 Kiely ..... D13/152  
D556,143 S \* 11/2007 Ni ..... D13/152

\* cited by examiner

*Primary Examiner*—Brian N Vinson

(74) *Attorney, Agent, or Firm*—Michael Blaine Brooks, P.C.;  
Michael Blaine Brooks

(57) **CLAIM**

The ornamental design for an “electrical box extension,” as  
shown and described.

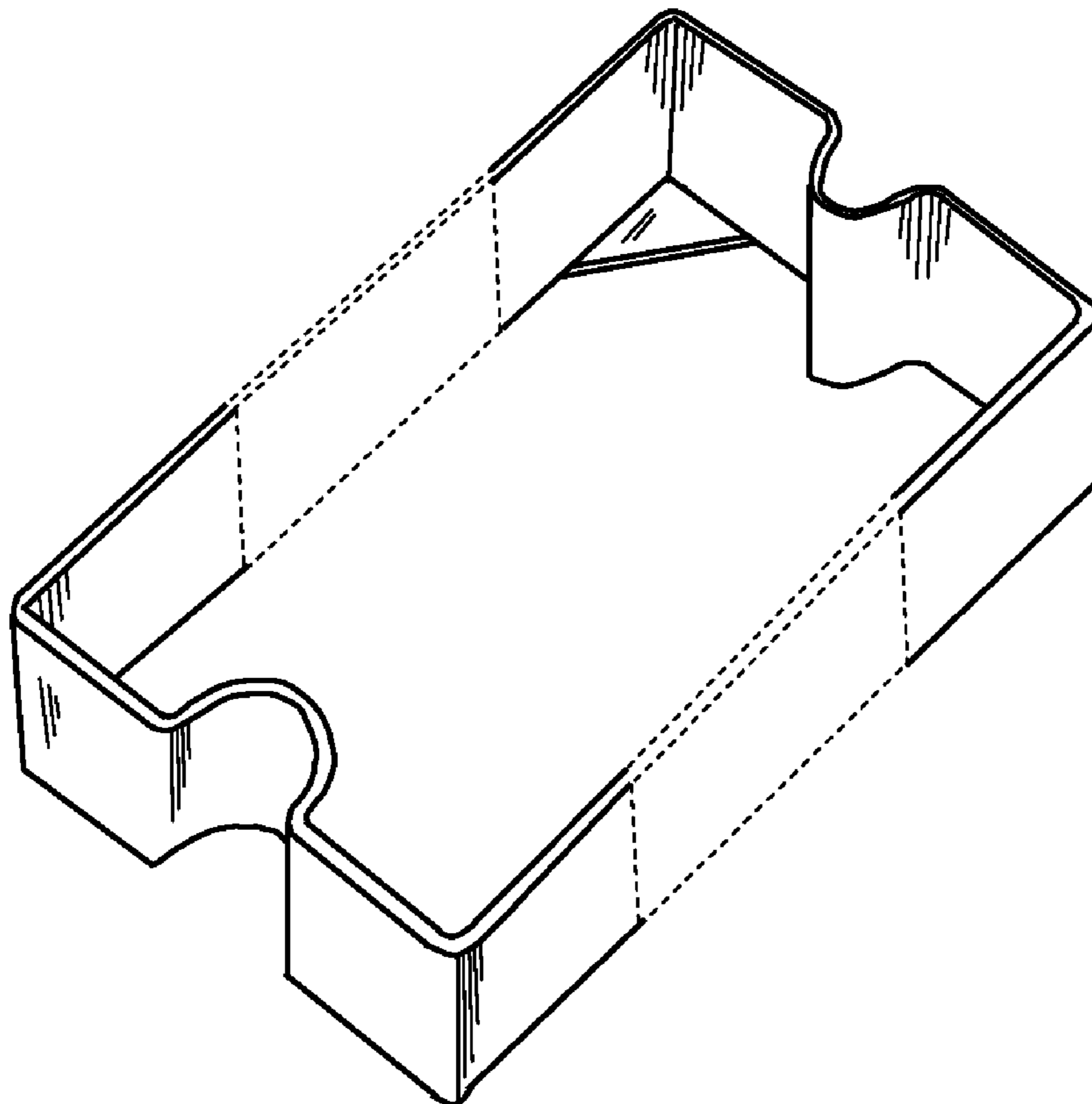
**DESCRIPTION**

FIG. 1 is a top-left-front perspective view of a first embodi-  
ment of an “electrical box extension” showing my new  
design;

FIG. 2 is a front elevational view thereof; the back elevational  
view is a mirror image thereof; and,

FIG. 3 is a left elevational view thereof; the right elevational  
view is a mirror image thereof.

**1 Claim, 1 Drawing Sheet**



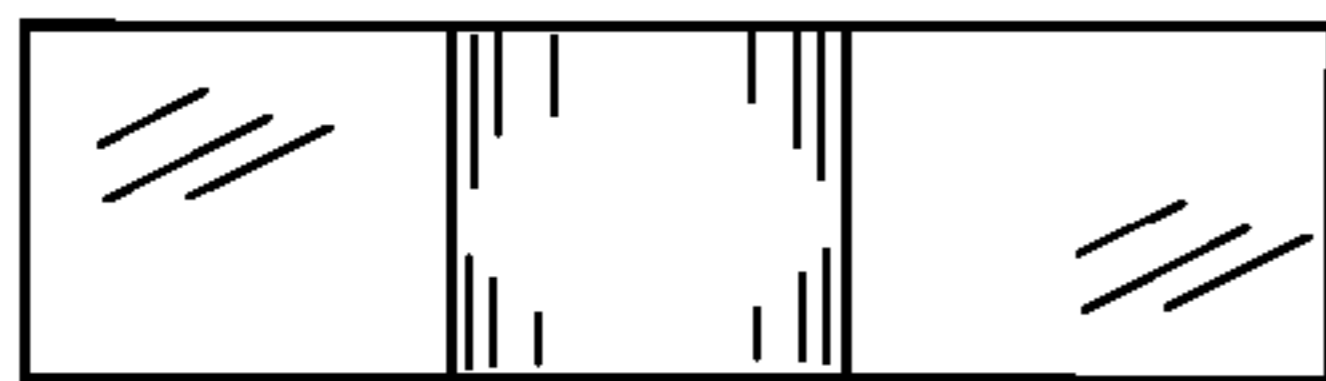
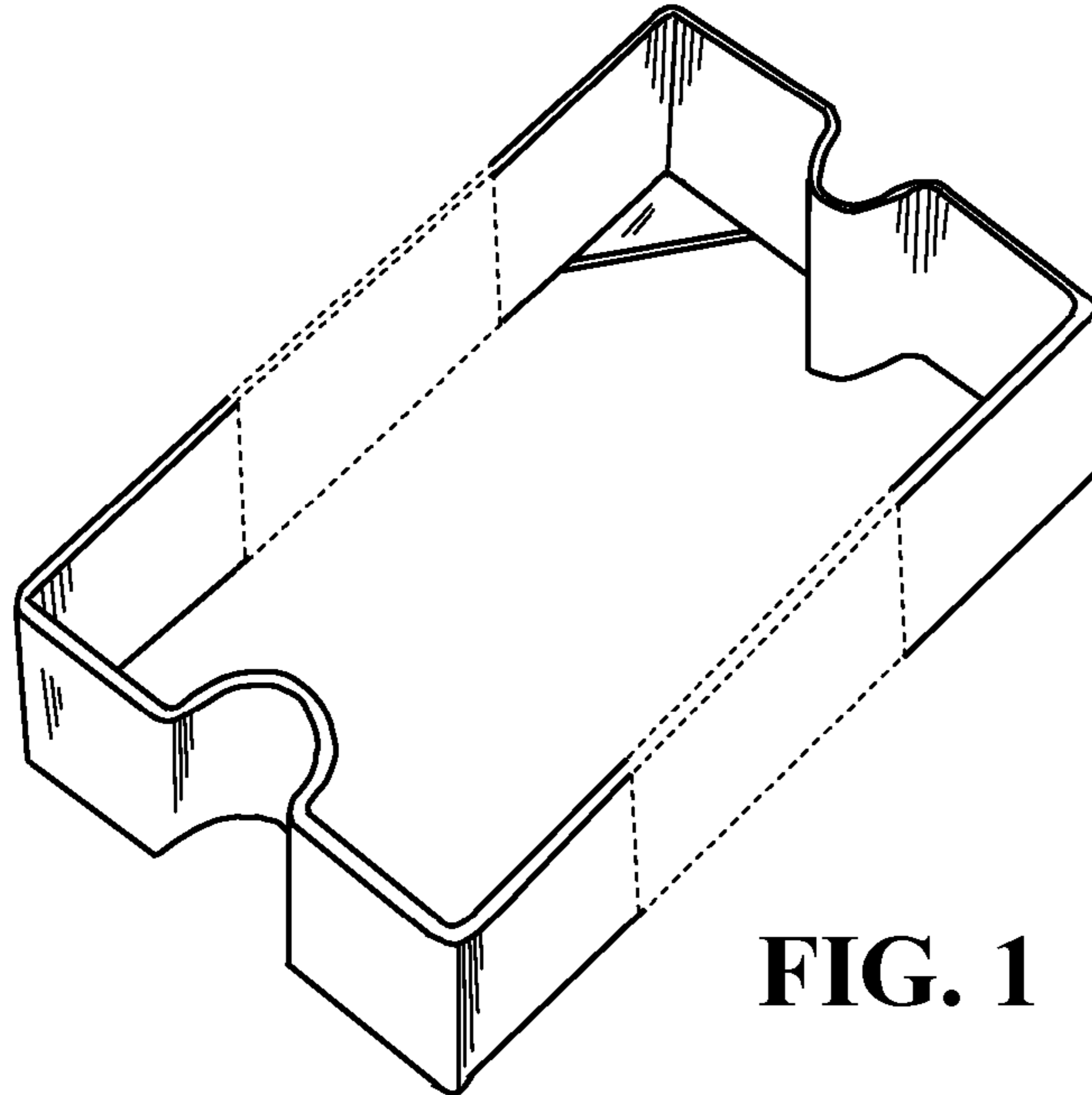


FIG. 2



FIG. 3