



US00D579877S

(12) **United States Design Patent**
Carpenter et al.

(10) **Patent No.:** **US D579,877 S**
(45) **Date of Patent:** **** Nov. 4, 2008**

(54) **MICROCONTROLLER ENCLOSURE HOUSING**

(75) Inventors: **Joel R. Carpenter**, Zimmerman, MN (US); **Cezary Pluska**, Kiel (DE)

(73) Assignee: **Sauer-Danfoss Inc.**, Ames, IA (US)

(**) Term: **14 Years**

(21) Appl. No.: **29/281,833**

(22) Filed: **Jul. 3, 2007**

Related U.S. Application Data

(62) Division of application No. 29/200,217, filed on Feb. 25, 2004, now Pat. No. Des. 553,571.

(51) **LOC (8) Cl.** **13-03**

(52) **U.S. Cl.** **D13/147**

(58) **Field of Classification Search** D13/133, D13/146, 147, 154, 184, 199; 439/135, 180, 439/259, 278, 290, 291, 292, 295, 483, 527, 439/529, 533, 540.1, 569, 752.5, 892, 894
See application file for complete search history.

(56) **References Cited**

U.S. PATENT DOCUMENTS

- D327,880 S 7/1992 Lou
- D330,704 S 11/1992 Wagner
- D331,395 S 12/1992 Lou
- 5,178,556 A * 1/1993 Chen 439/357
- D332,938 S 2/1993 Lambert, II et al.

- D339,116 S 9/1993 Gates et al.
- D367,039 S * 2/1996 Loh D13/147
- 5,716,228 A * 2/1998 Chen 439/358
- D411,827 S * 7/1999 Gilliland et al. D13/147
- D430,542 S * 9/2000 Hoferitza et al. D13/154
- D477,814 S 7/2003 Droulin et al.
- D494,544 S 8/2004 Dulai et al.
- D526,614 S 8/2006 Kajiura
- D553,571 S * 10/2007 Carpenter et al. D13/147

* cited by examiner

Primary Examiner—Daniel D Bui

(57) **CLAIM**

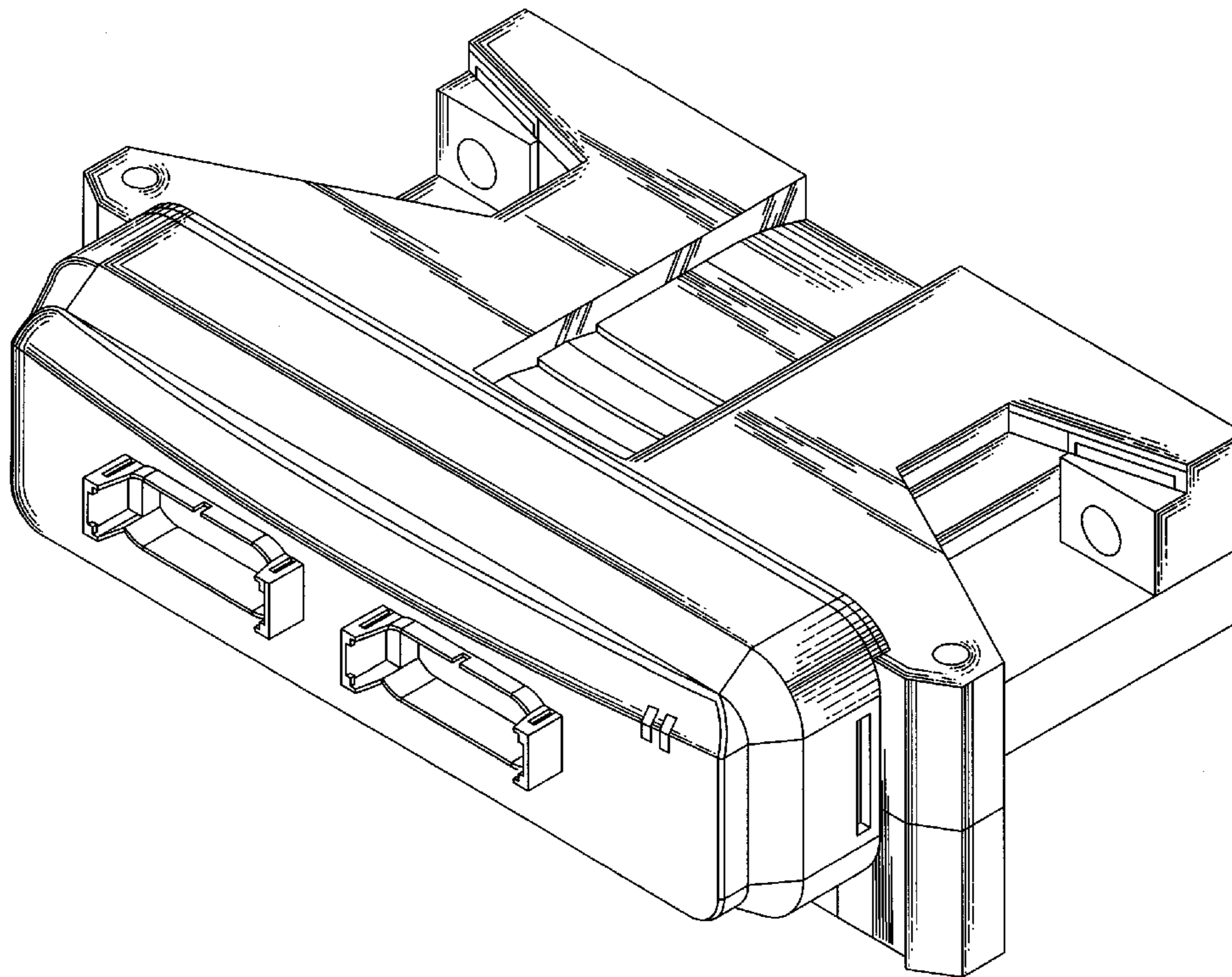
We claim the ornamental design for a microcontroller enclosure housing, as shown and described.

DESCRIPTION

FIG. 1 is a front, top and right side perspective view of a microcontroller enclosure housing showing our new design; FIG. 2 is a front elevation view thereof; FIG. 3 is a right side elevation view thereof; FIG. 4 is a left side elevation view thereof; FIG. 5 is a rear elevation view thereof; FIG. 6 is a top plan view thereof; and, FIG. 7 is a bottom plan view thereof.

The broken line portion of the figure drawings is included to show unclaimed subject matter only and forms no part of the claimed design.

1 Claim, 7 Drawing Sheets



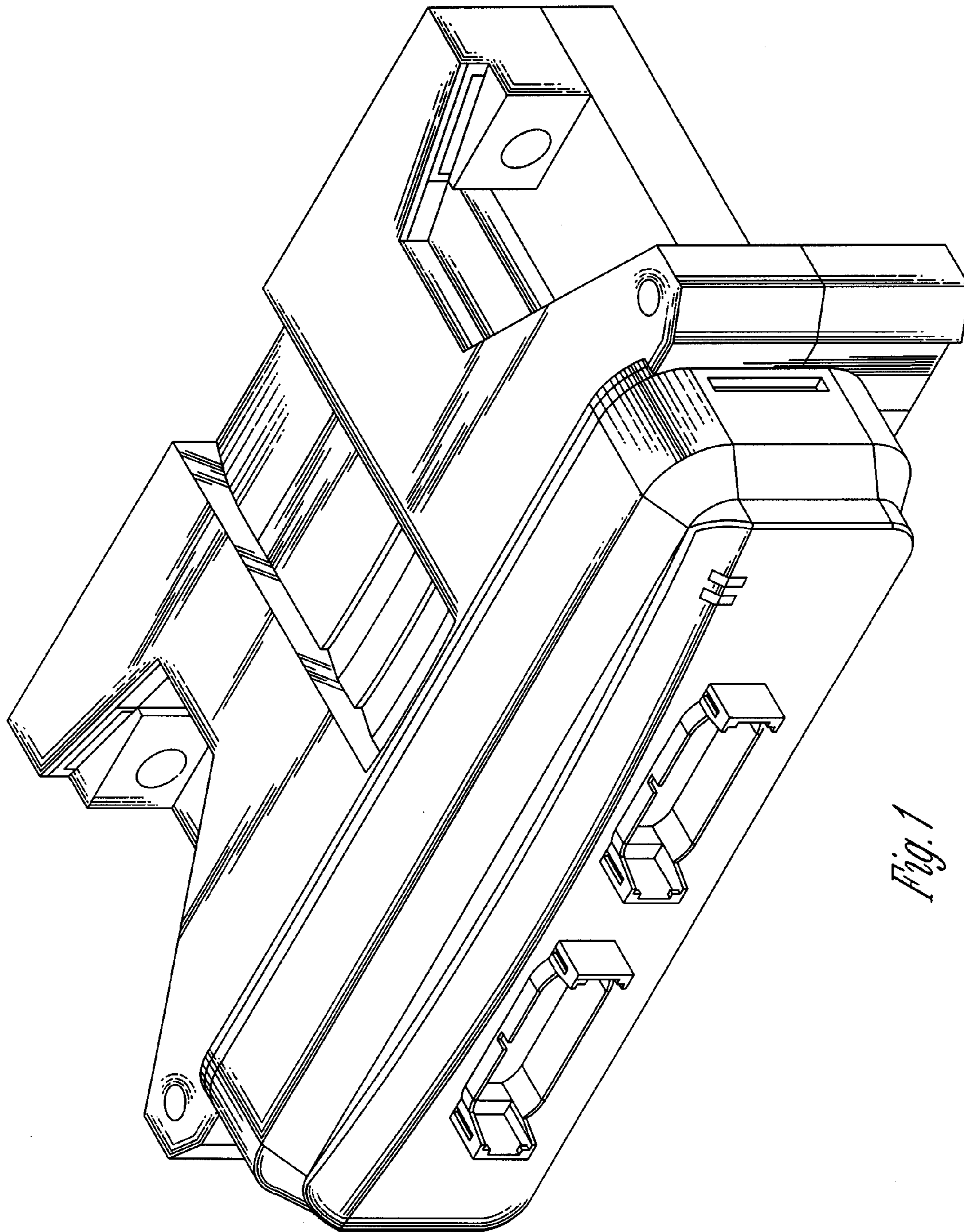


Fig. 1

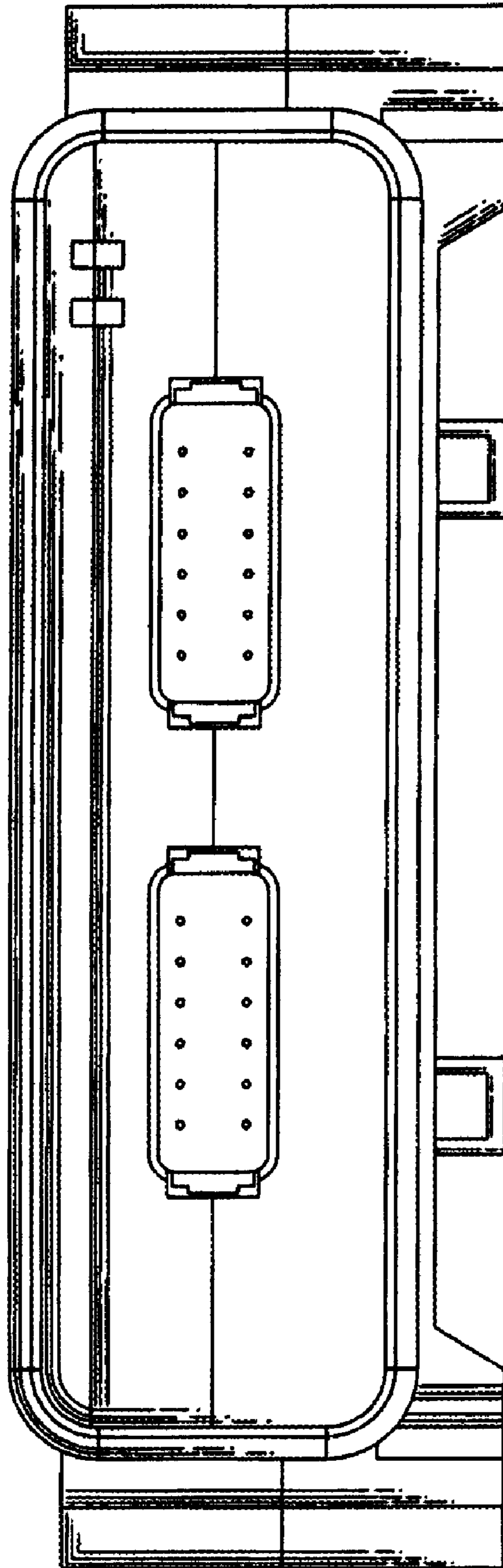


Fig. 2

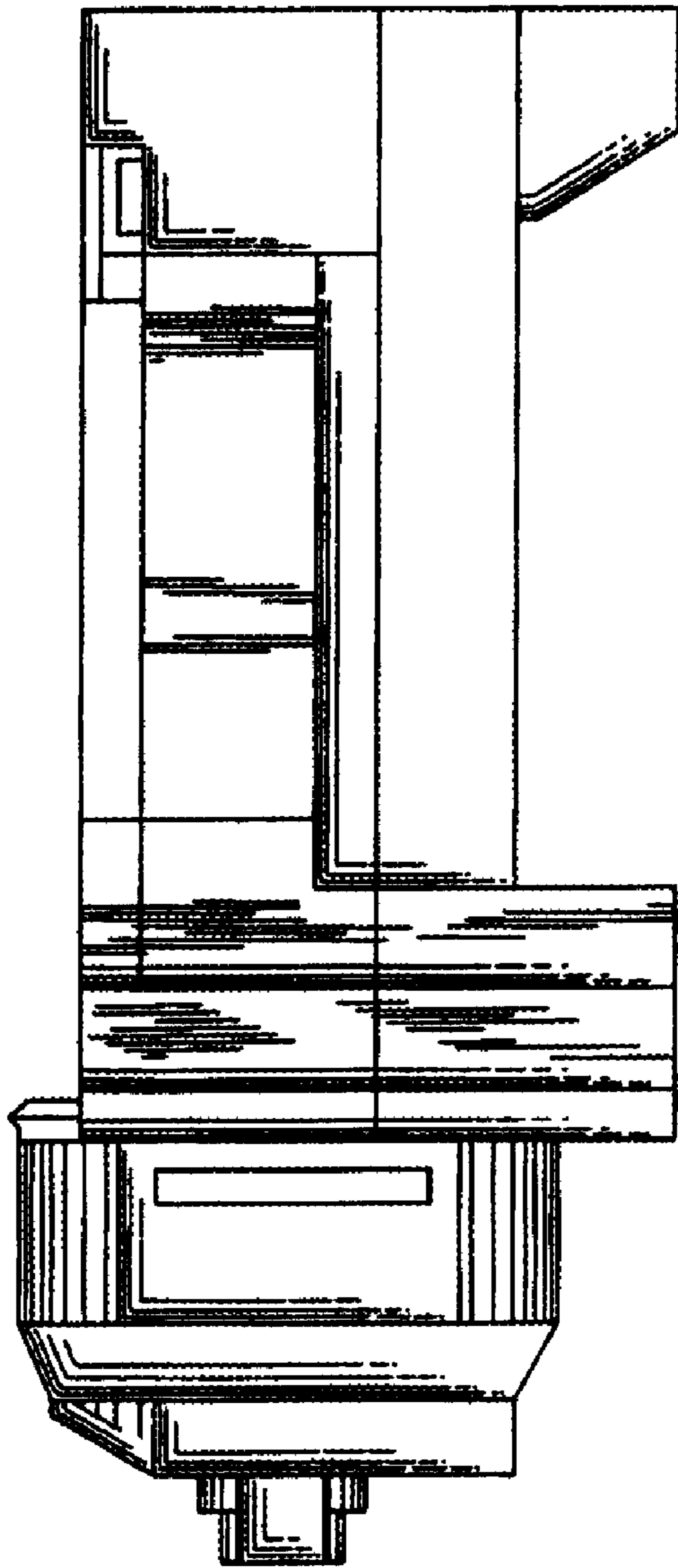


Fig. 3

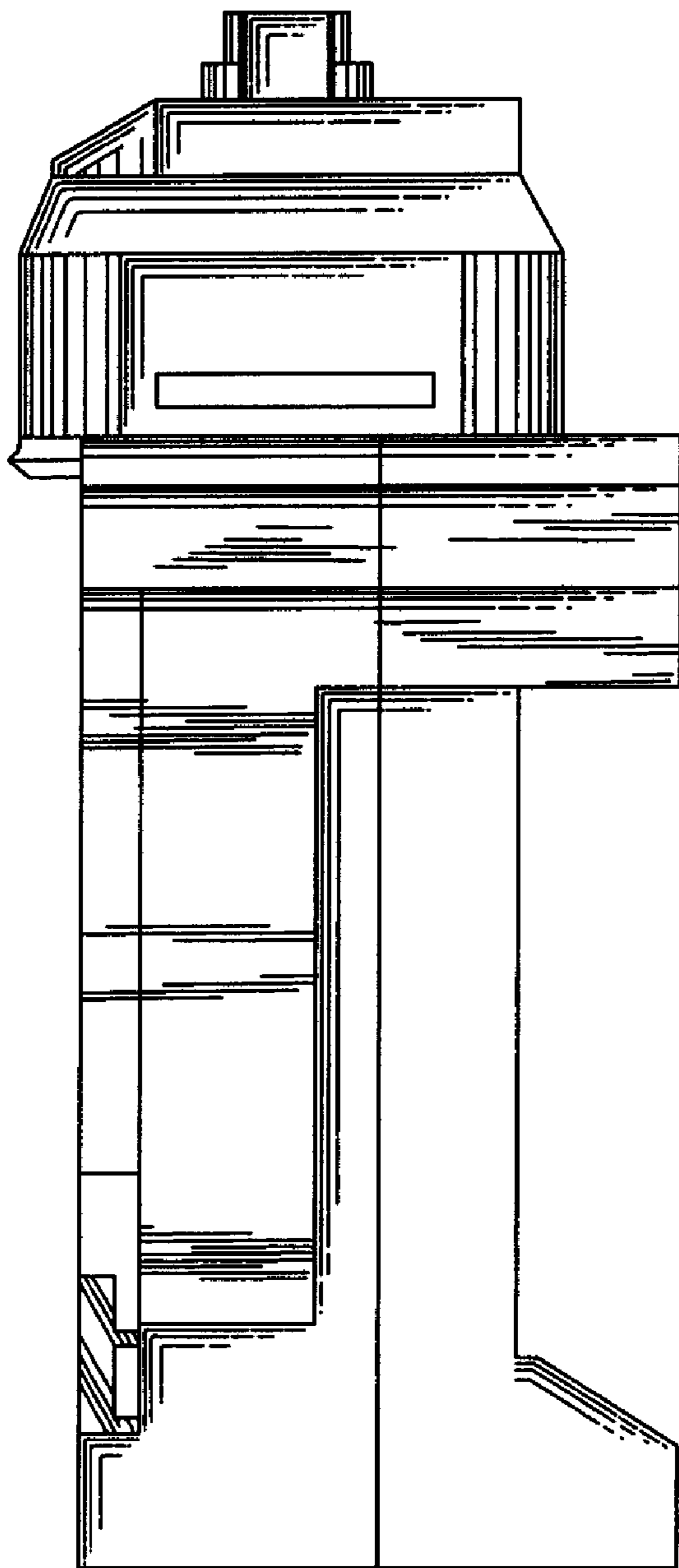


Fig. 4

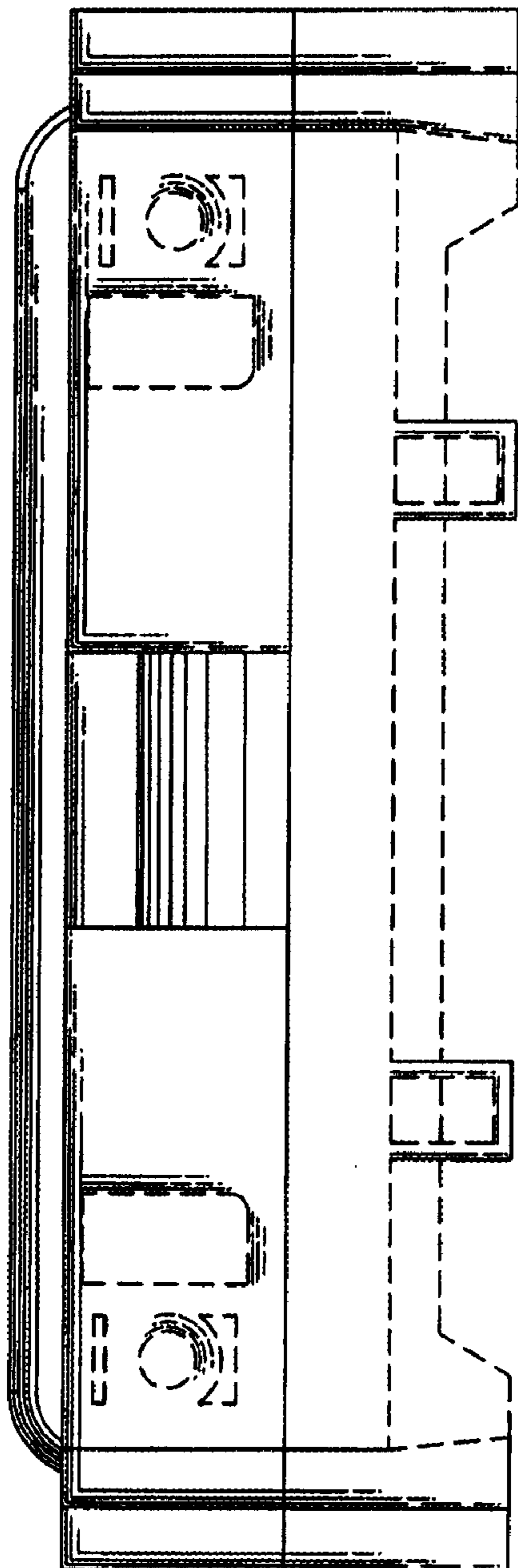


Fig. 5

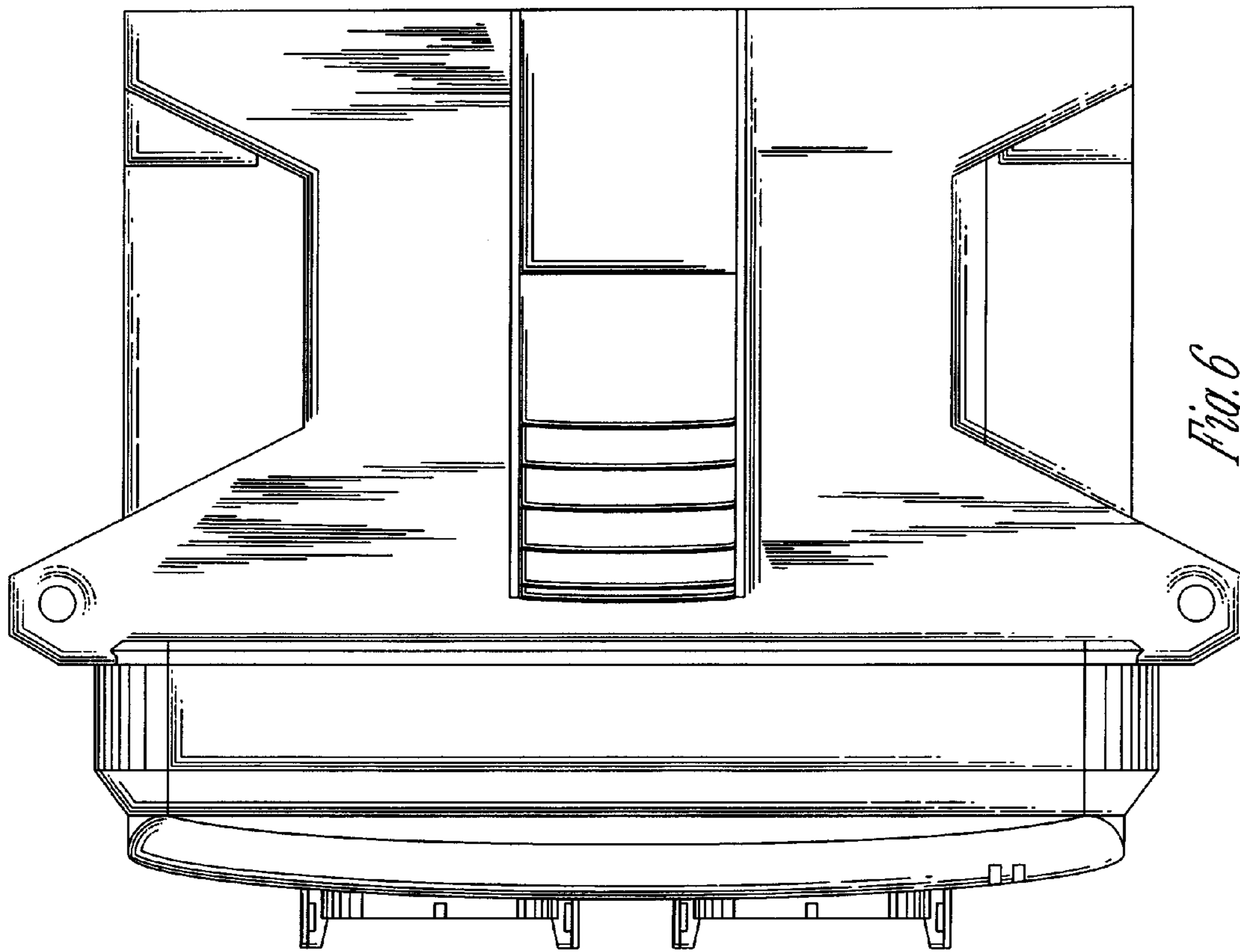


Fig. 6

