



US00D579876S

(12) **United States Design Patent**
Novotney et al.

(10) **Patent No.:** **US D579,876 S**

(45) **Date of Patent:** **** *Nov. 4, 2008**

(54) **CONNECTOR SYSTEM**

(75) Inventors: **Donald J. Novotney**, San Jose, CA (US); **Evans Hankey**, San Francisco, CA (US); **Stephen Zadesky**, San Carlos, CA (US); **Timothy J. Wells**, Santa Clara, CA (US)

(73) Assignee: **Apple Inc.**, Cupertino, CA (US)

(*) Notice: This patent is subject to a terminal disclaimer.

(**) Term: **14 Years**

(21) Appl. No.: **29/255,490**

(22) Filed: **Mar. 7, 2006**

Related U.S. Application Data

(63) Continuation of application No. 29/220,892, filed on Jan. 7, 2005, now Pat. No. Des. 521,936.

(51) **LOC (8) Cl.** **13-03**

(52) **U.S. Cl.** **D13/147**

(58) **Field of Classification Search** D13/133,
D13/146-147, 154, 184, 199; 439/79, 108,
439/289, 607, 610, 638

See application file for complete search history.

(56) **References Cited**

U.S. PATENT DOCUMENTS

4,632,486 A	12/1986	Hasircoglu	339/99
D339,791 S	9/1993	Lucey et al.	D13/147
D380,196 S	6/1997	Aramaki	D13/147
D418,479 S	1/2000	Chiou	D13/147

6,336,827 B1	1/2002	Akama et al.	439/610
D465,459 S	11/2002	Zhu et al.	D13/147
D479,200 S	9/2003	Liu et al.	D13/147
6,758,685 B1	7/2004	Huang et al.	439/79
D500,737 S	1/2005	Shao	D13/147
D502,146 S	2/2005	Lai et al.	D13/147
D503,151 S *	3/2005	Lai et al.	D13/147
D521,935 S *	5/2006	Lai	D13/147
D521,936 S *	5/2006	Novotney et al.	D13/147

* cited by examiner

Primary Examiner—Daniel D Bui

(74) *Attorney, Agent, or Firm*—Sterne, Kessler, Goldstein & Fox P.L.L.C.

(57) **CLAIM**

The ornamental design for a connector system, as shown and described.

DESCRIPTION

FIG. 1 is a first perspective view of a connector system, showing our new design;

FIG. 2 is a second perspective view thereof;

FIG. 3 is a front view thereof;

FIG. 4 is a back view thereof;

FIG. 5 is a top view thereof;

FIG. 6 is a bottom view thereof;

FIG. 7 is a first side view thereof; and,

FIG. 8 is a second side view thereof.

The broken line showing of the environment is for illustrative purposes only and forms no part of the claimed design.

1 Claim, 6 Drawing Sheets

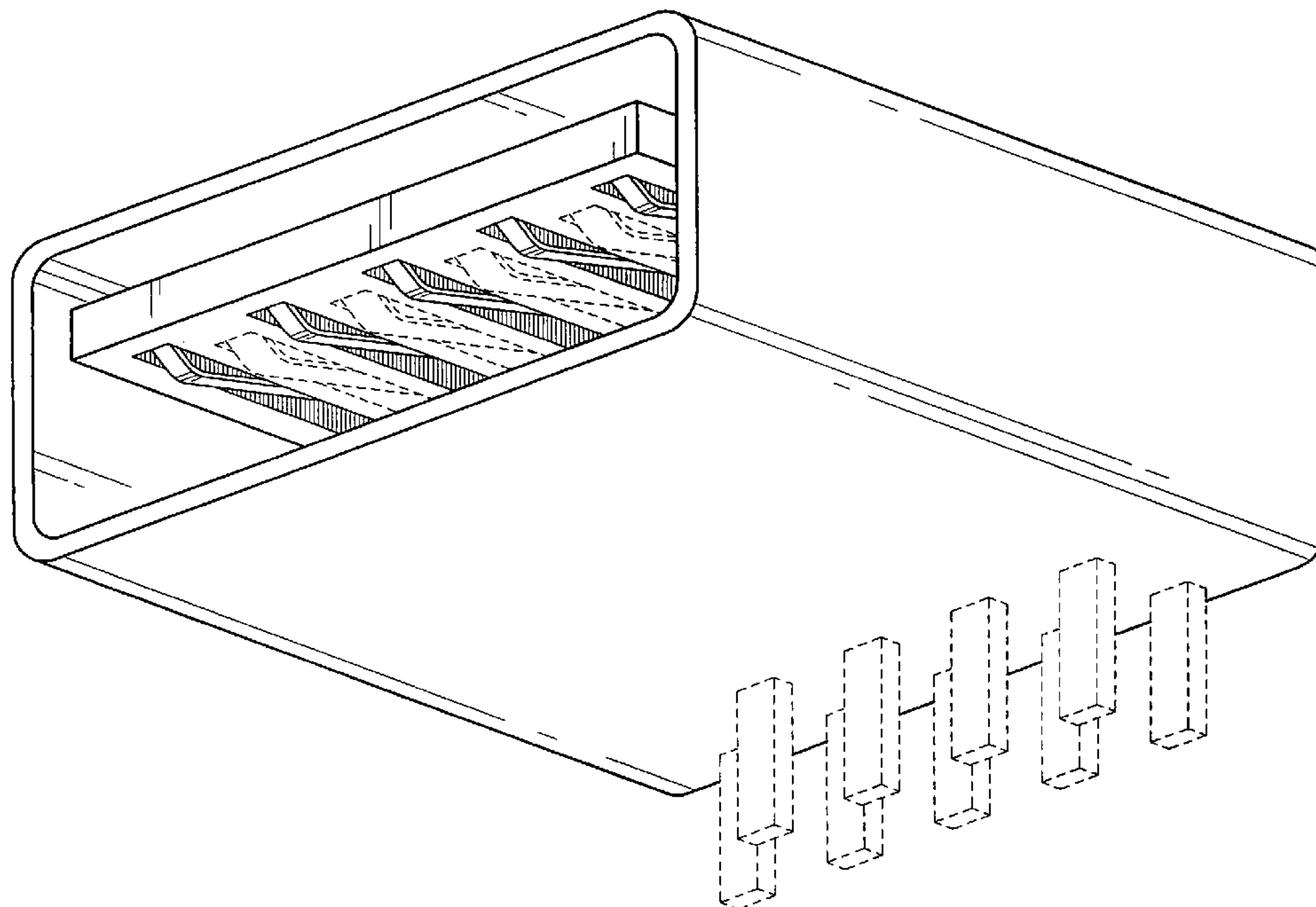


FIG. 1

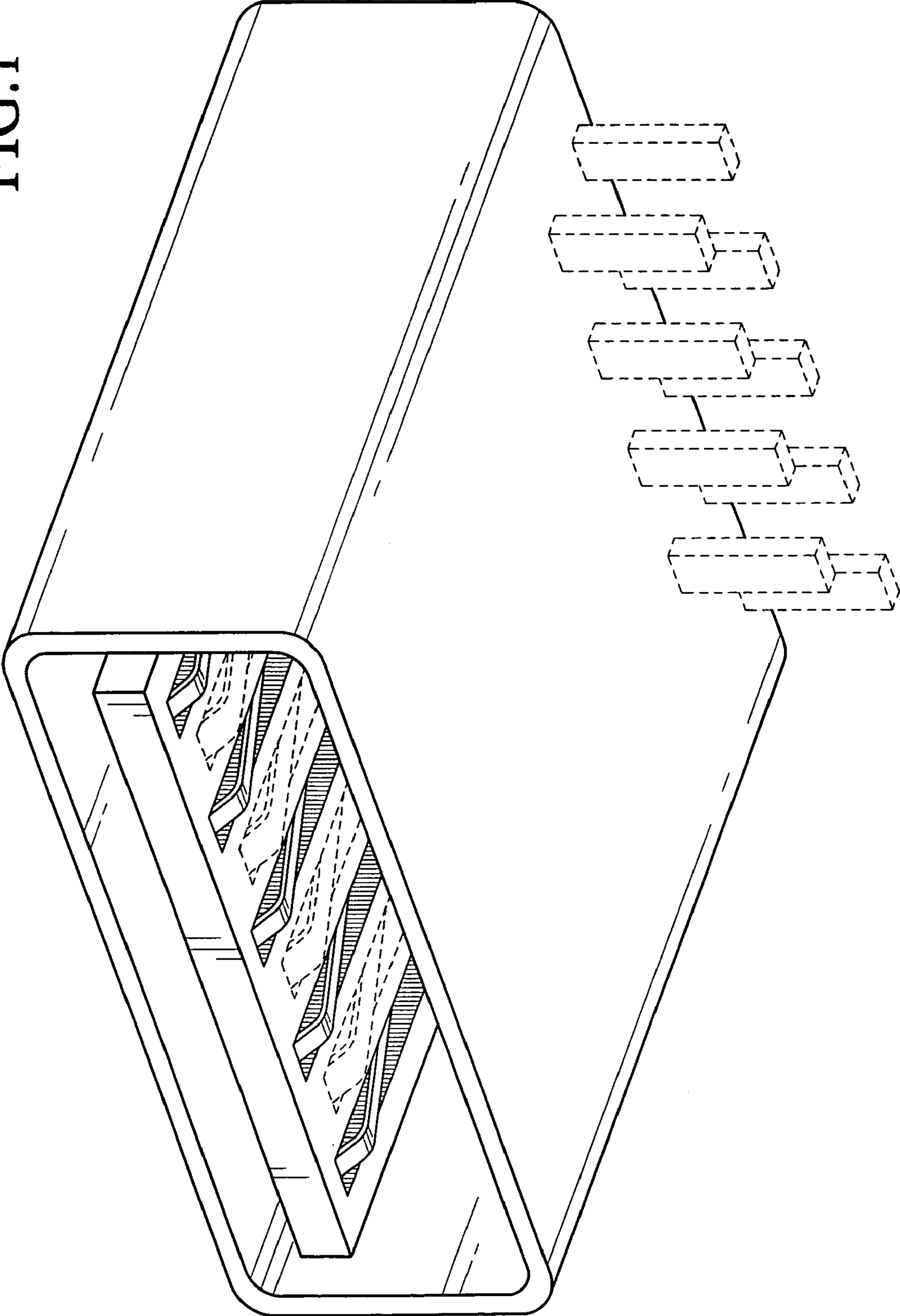
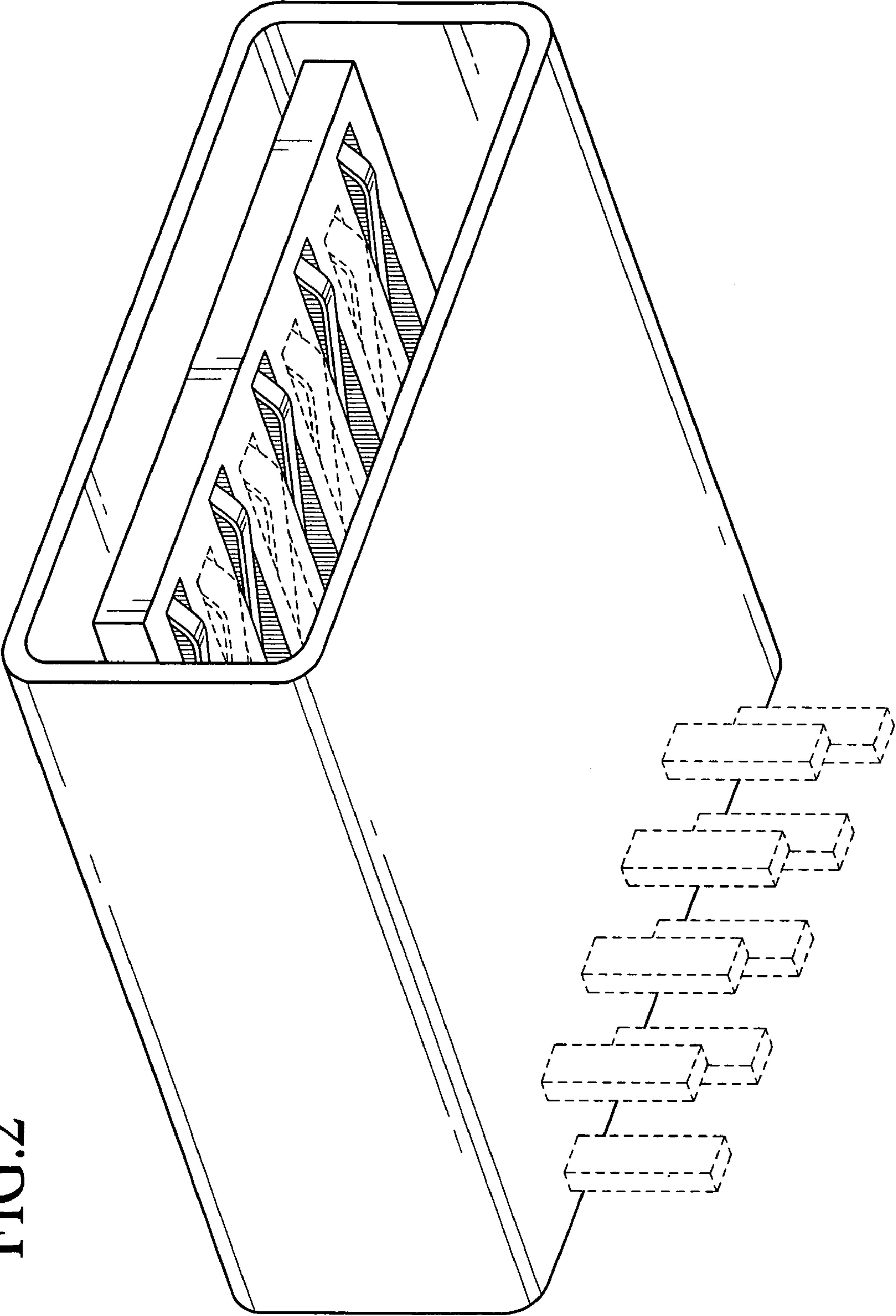


FIG. 2



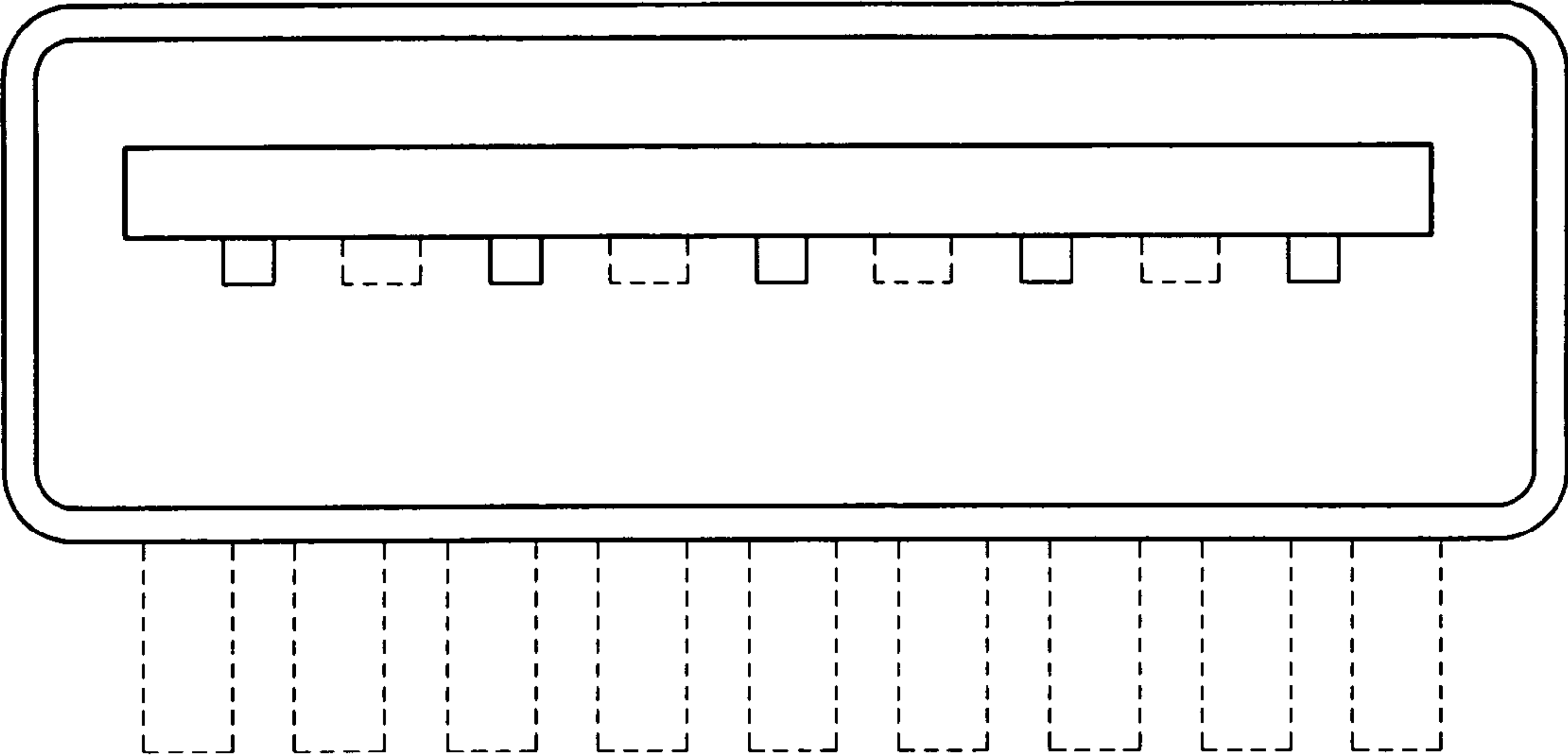


FIG.3

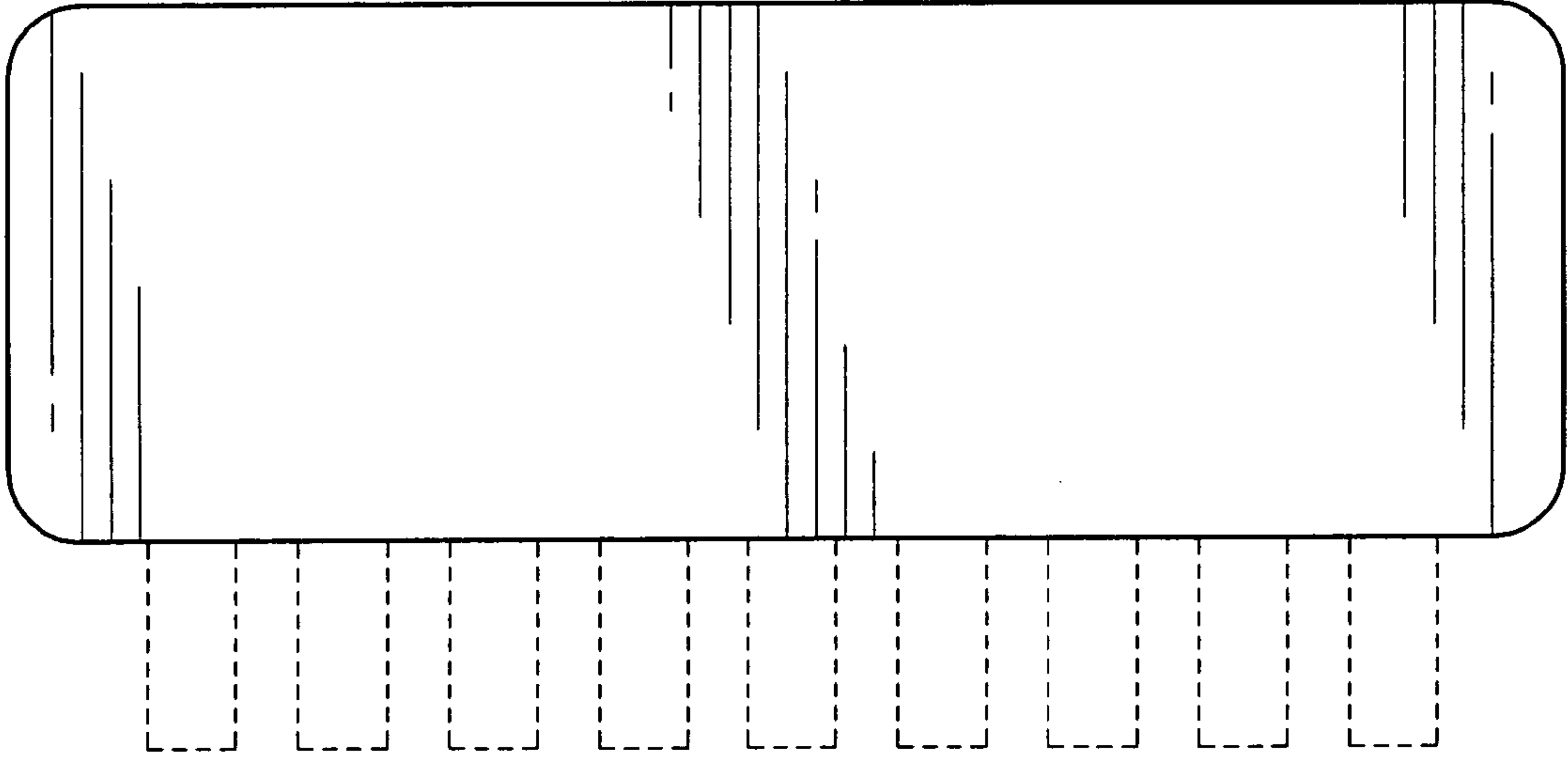


FIG.4

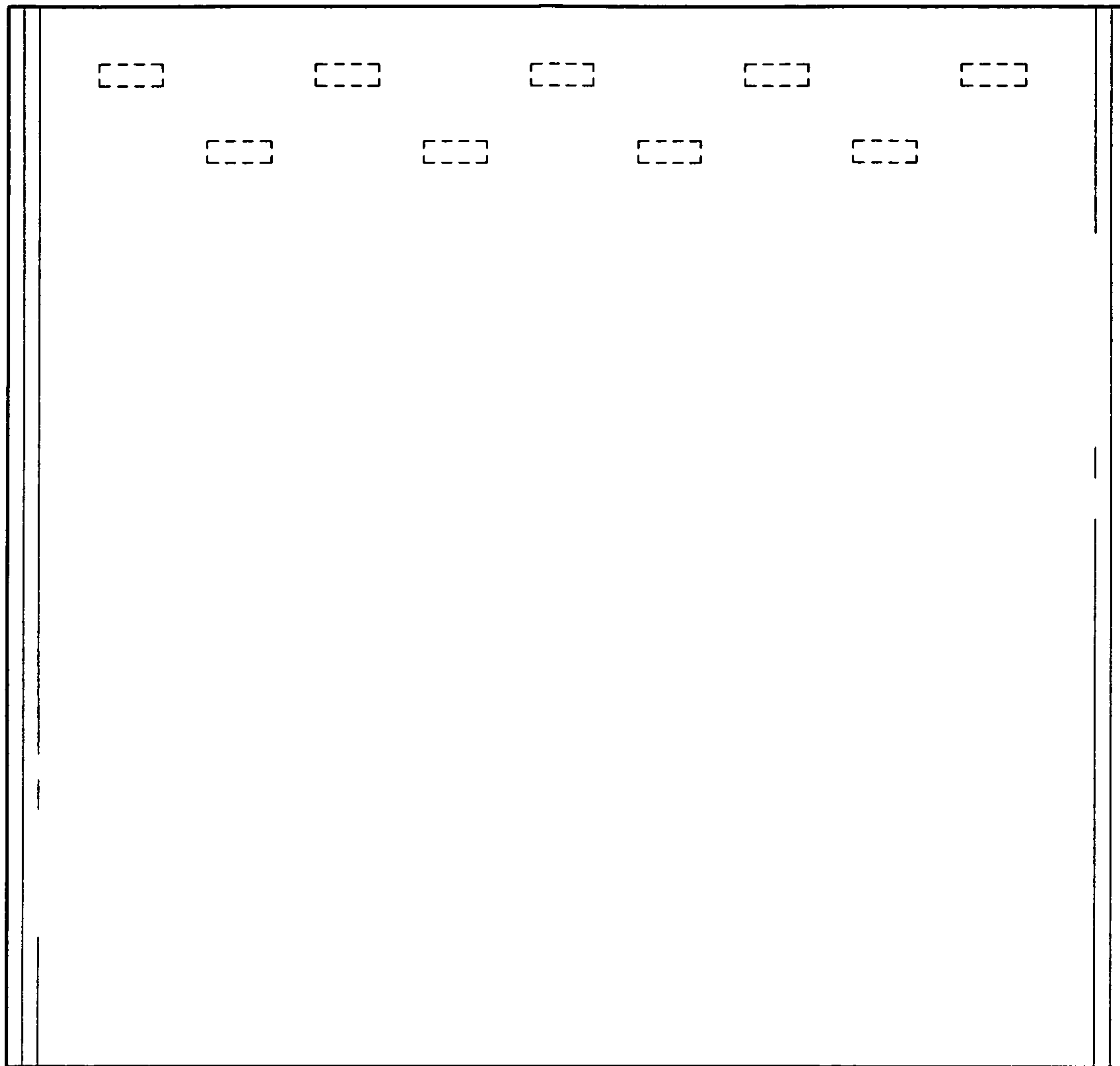


FIG.5

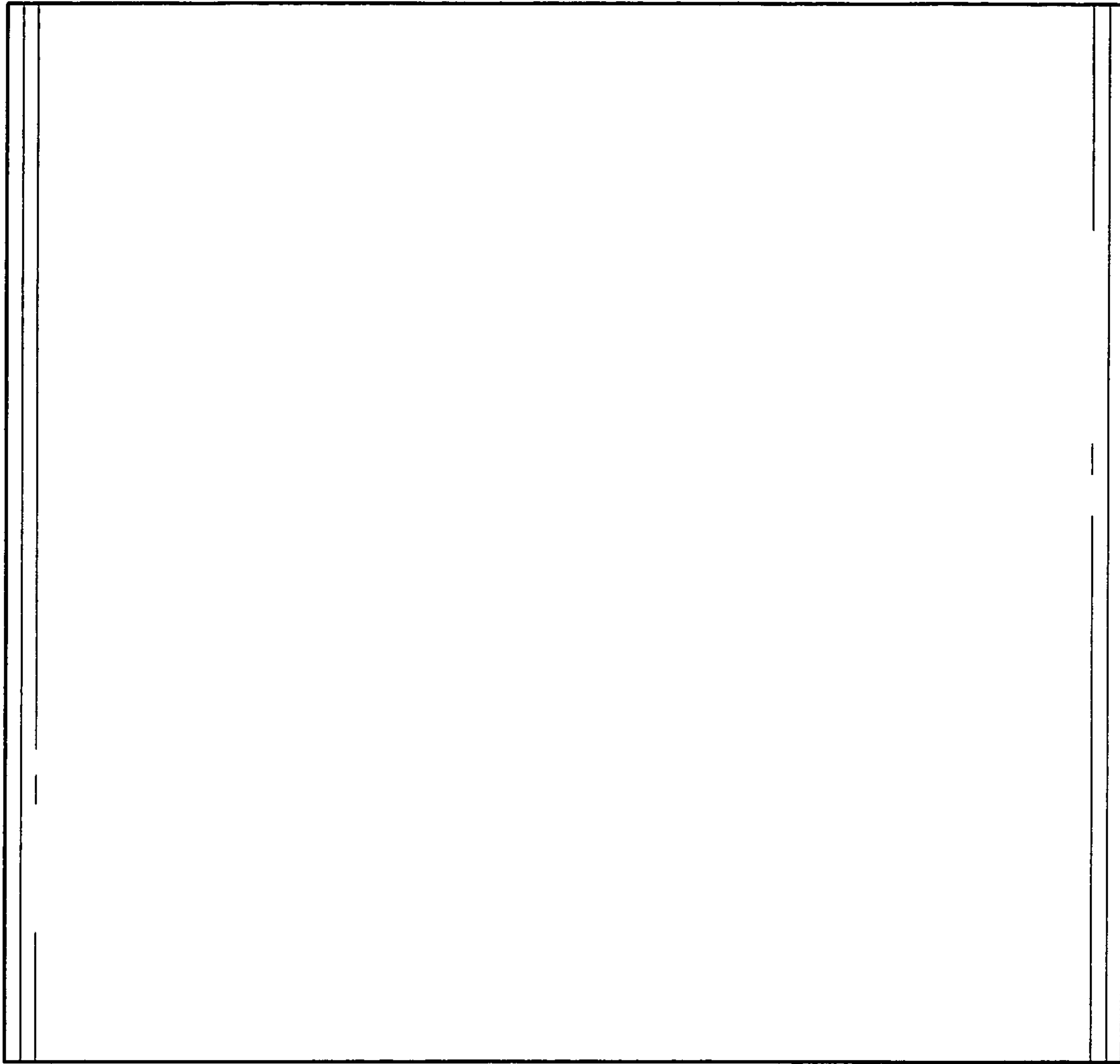


FIG. 6

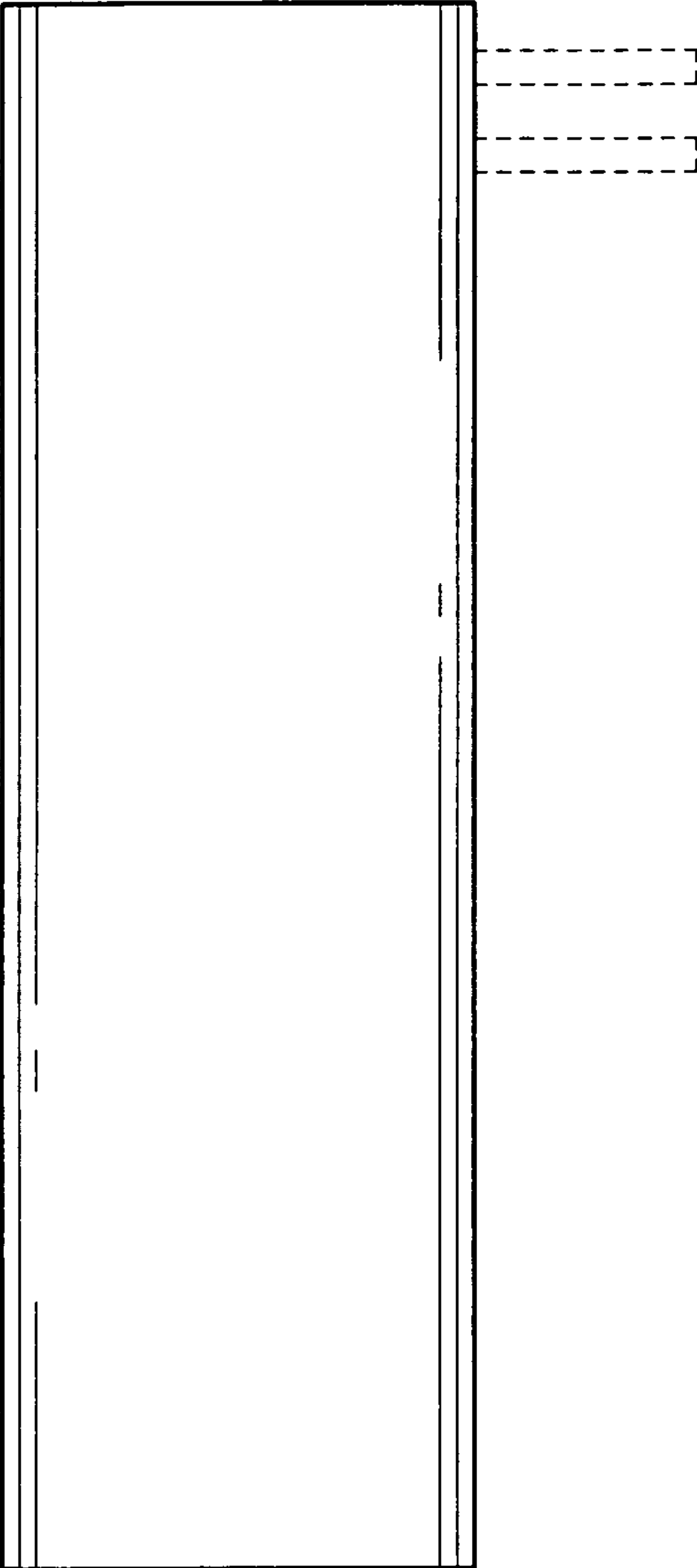


FIG. 7

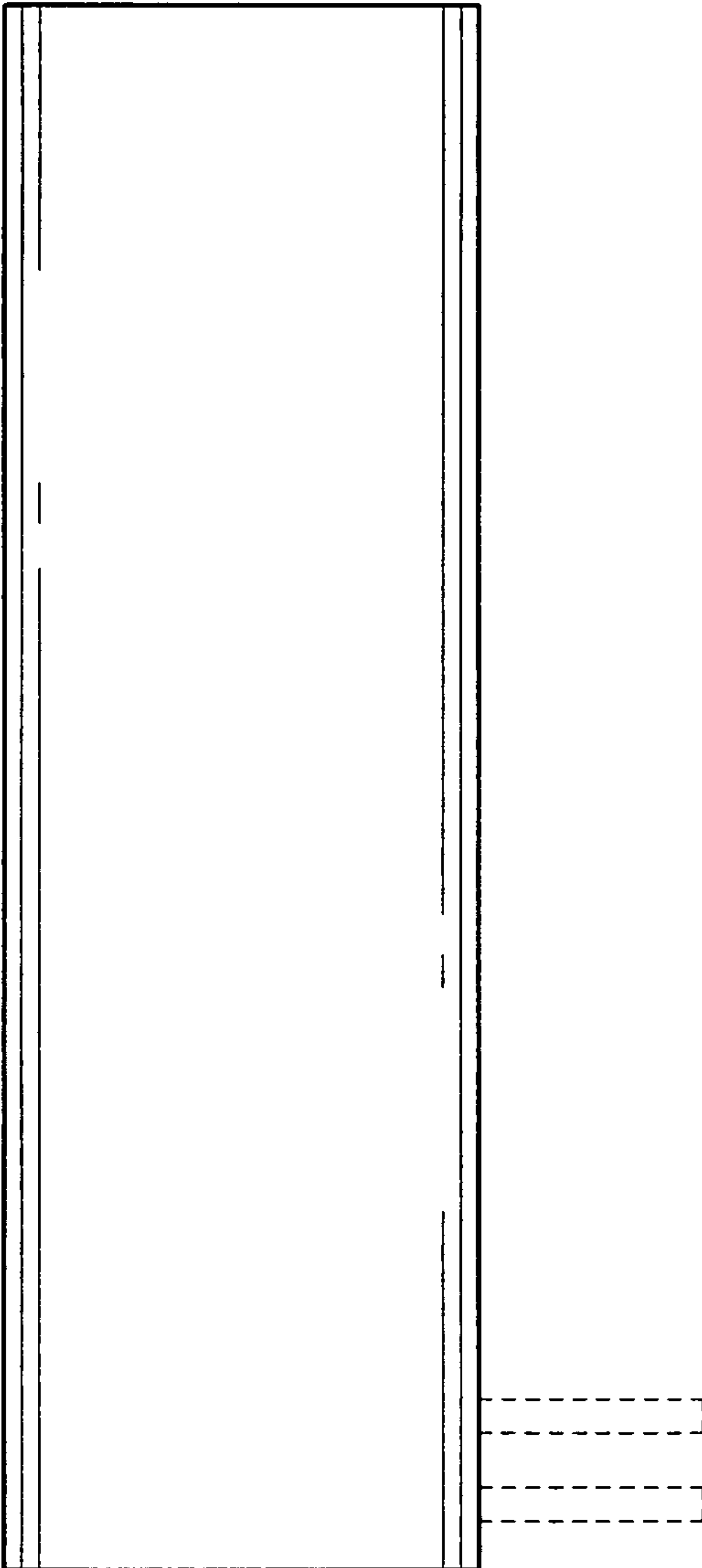


FIG. 8