



US00D579872S

(12) **United States Design Patent**  
**Gershfeld**

(10) **Patent No.:** **US D579,872 S**  
(45) **Date of Patent:** **\*\* Nov. 4, 2008**

(54) **INTERCONNECT ENCLOSURE FOR  
COMPUTER AND AUDIO VISUAL  
EQUIPMENT MOUNTABLE UNDER A TABLE  
TOP**

(76) Inventor: **Jack Gershfeld**, 615 Del Rio Way,  
Fullerton, CA (US) 92835

(\*\*) Term: **14 Years**

(21) Appl. No.: **29/298,877**

(22) Filed: **Dec. 14, 2007**

(51) **LOC (8) Cl.** ..... **13-03**

(52) **U.S. Cl.** ..... **D13/139.4**

(58) **Field of Classification Search** ..... D13/139.1,  
D13/139.4, 139.6–139.8, 162, 164, 184, 199;  
D14/217, 218, 240; D8/349, 354, 380, 381;  
361/641, 644, 654, 658, 673; 174/480, 482,  
174/486, 490, 50, 520, 536, 61, 63; 439/131,  
439/135, 650–654, 708, 722; 248/674, 200,  
248/205.1, 205.6, 207, 220.21, 309.1, 311.2

See application file for complete search history.

(56) **References Cited**

**U.S. PATENT DOCUMENTS**

3,386,606	A *	6/1968	Pastrick	.....	220/3.94
D244,748	S *	6/1977	Canterbury	.....	D8/380
D291,315	S *	8/1987	Belford et al.	.....	D8/373
5,272,279	A *	12/1993	Filshie	.....	174/50
D352,505	S *	11/1994	Pullman et al.	.....	D14/140.4
D364,796	S *	12/1995	Yates	.....	D8/354
D394,377	S *	5/1998	Najewski et al.	.....	D8/354
5,779,499	A *	7/1998	Sette et al.	.....	439/540.1
6,114,624	A *	9/2000	Ghafourian et al.	.....	174/50
D442,143	S *	5/2001	Gershfeld	.....	D13/139.4
D477,280	S *	7/2003	Gershfeld	.....	D13/139.4
6,605,776	B1 *	8/2003	Laukhuf	.....	174/500

(Continued)

*Primary Examiner*—Jennifer Rivard

*Assistant Examiner*—Rosemary K Tarcza

(74) *Attorney, Agent, or Firm*—Vladimir Khiterer

(57) **CLAIM**

The ornamental design for an interconnect enclosure for computer and audio visual equipment mountable under a table top, as shown and described.

**DESCRIPTION**

FIG. 1 is a perspective view of an interconnect enclosure for computer and audio visual equipment mountable under a table top according to the first embodiment of the invention. The broken lines are to illustrate an environment only and form no part of the claimed design.

FIG. 2 is a front elevational view thereof. The broken lines are to illustrate an environment only and form no part of the claimed design.

FIG. 3 is a right side elevational view thereof. The broken lines are to illustrate an environment only and form no part of the claimed design.

The appearance of the bottom forms no part of the claimed design.

FIG. 4 is a perspective view of an interconnect enclosure for computer and audio visual equipment mountable under a table top according to the second embodiment of the invention. The broken lines are to illustrate an environment only and form no part of the claimed design.

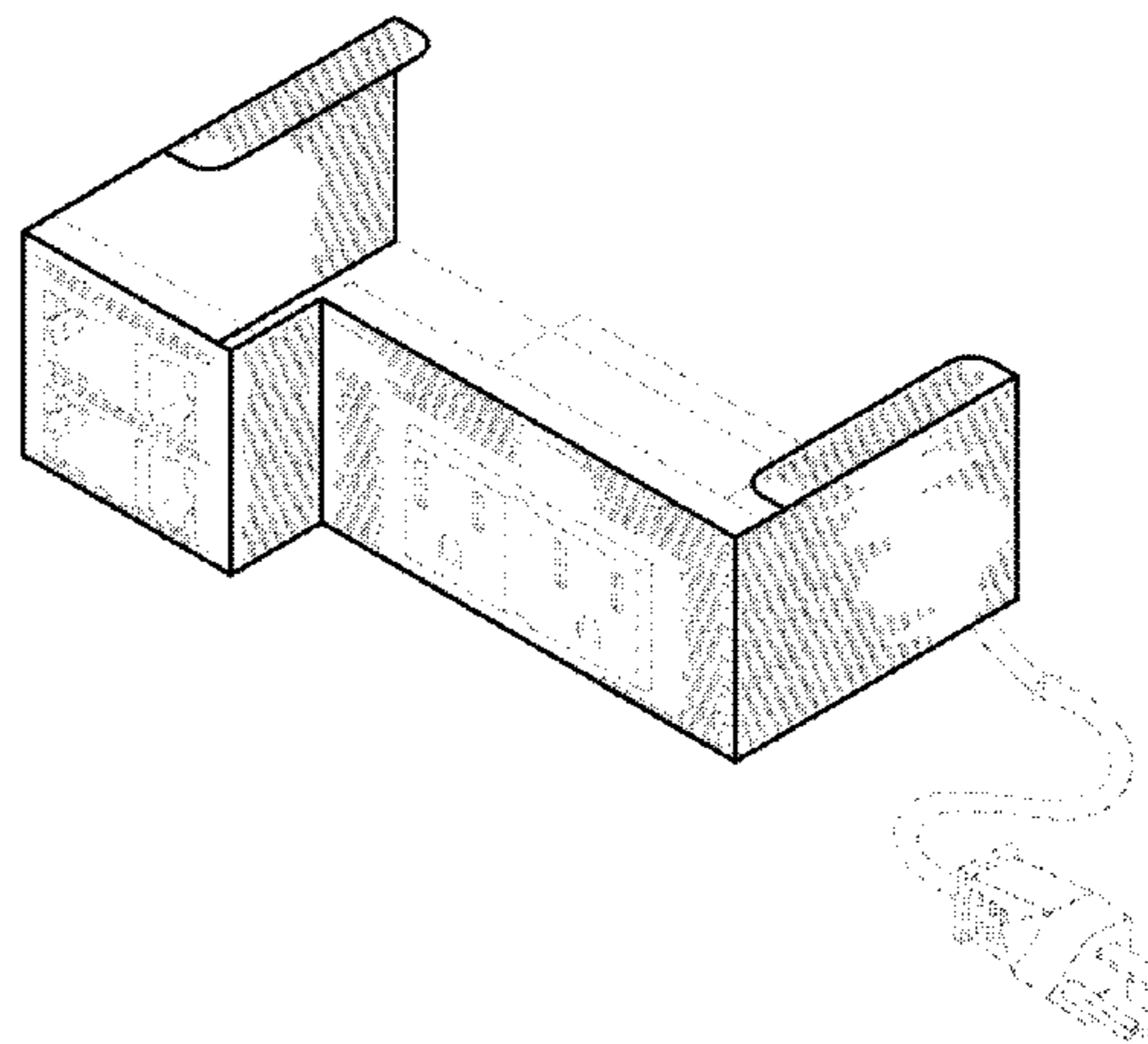
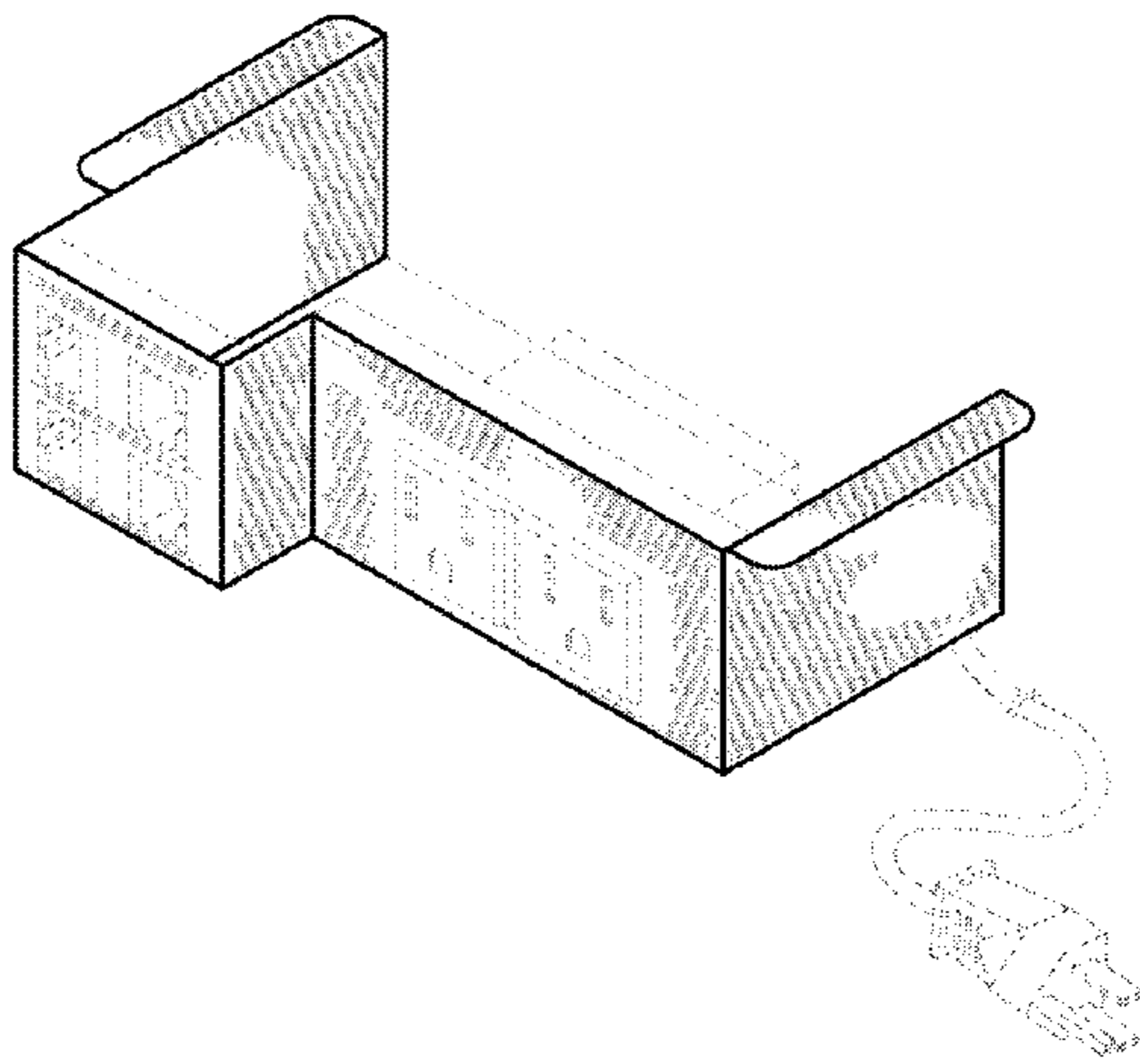
FIG. 5 is a front elevational view thereof. The broken lines are to illustrate an environment only and form no part of the claimed design; and,

FIG. 6 is a right side elevational view thereof. The broken lines are to illustrate an environment only and form no part of the claimed design.

The appearance of the bottom forms no part of the claimed design.

The surfaces or portions of the article not shown in the drawings or described in the specification form no part of the claimed design.

**1 Claim, 6 Drawing Sheets**



# US D579,872 S

Page 2

---

## U.S. PATENT DOCUMENTS

6,640,270	B1 *	10/2003	Wang	.....	710/69	7,273,982	B1 *	9/2007	Lalancette	.....	174/58
D492,187	S *	6/2004	Mottini	.....	D8/354	D563,392	S *	3/2008	Corsini et al.	.....	D14/217
6,894,222	B2 *	5/2005	Lalancette et al.	.....	174/58	2002/0179316	A1 *	12/2002	Freedman	.....	174/50
D513,171	S *	12/2005	Richardson	.....	D8/394	2003/0116685	A1 *	6/2003	Jensen	.....	248/200
D513,969	S *	1/2006	Schurr et al.	.....	D8/380	2004/0231876	A1 *	11/2004	Zhang	.....	174/50
7,091,413	B2 *	8/2006	Mukougawa	.....	174/50	2007/0074887	A1 *	4/2007	Drane	.....	174/50

\* cited by examiner

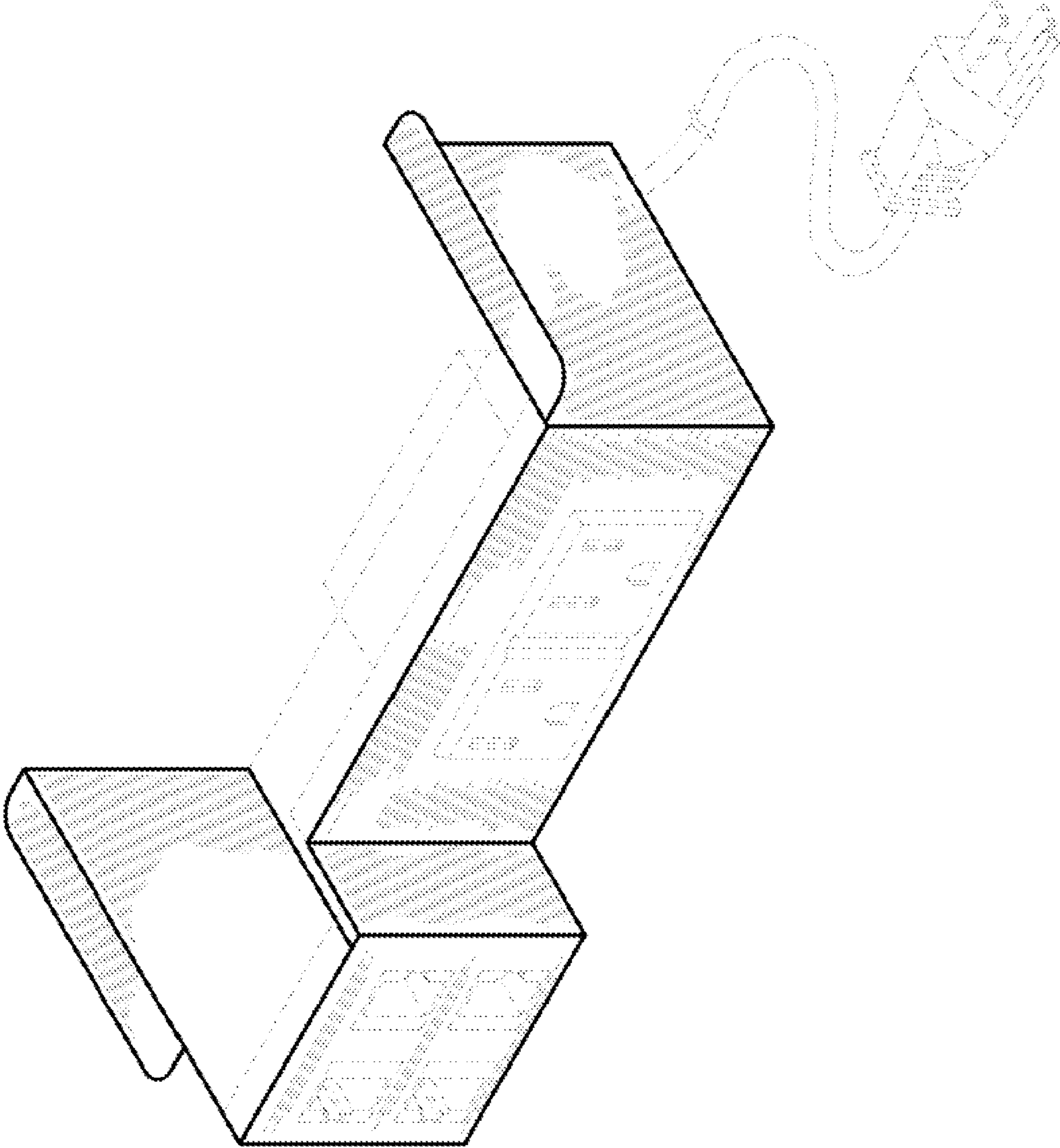


FIG.1

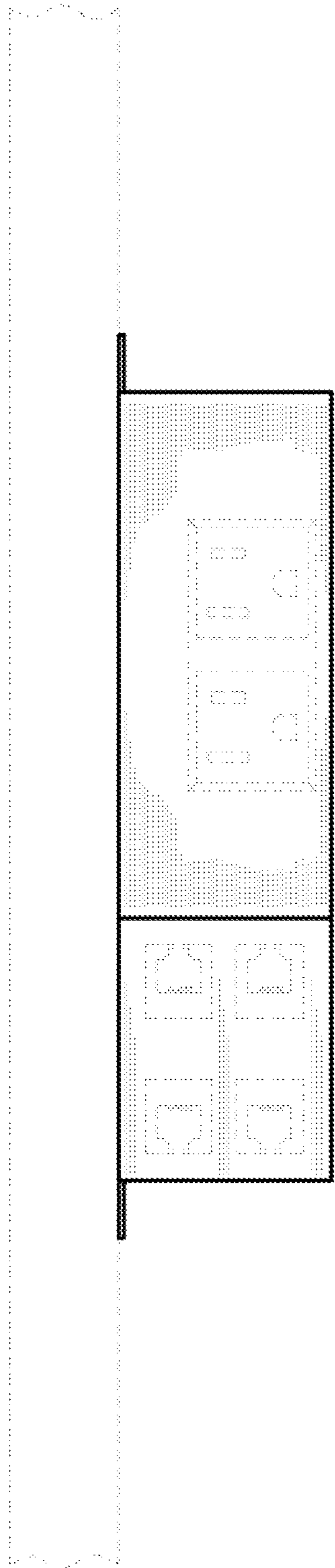


FIG.2

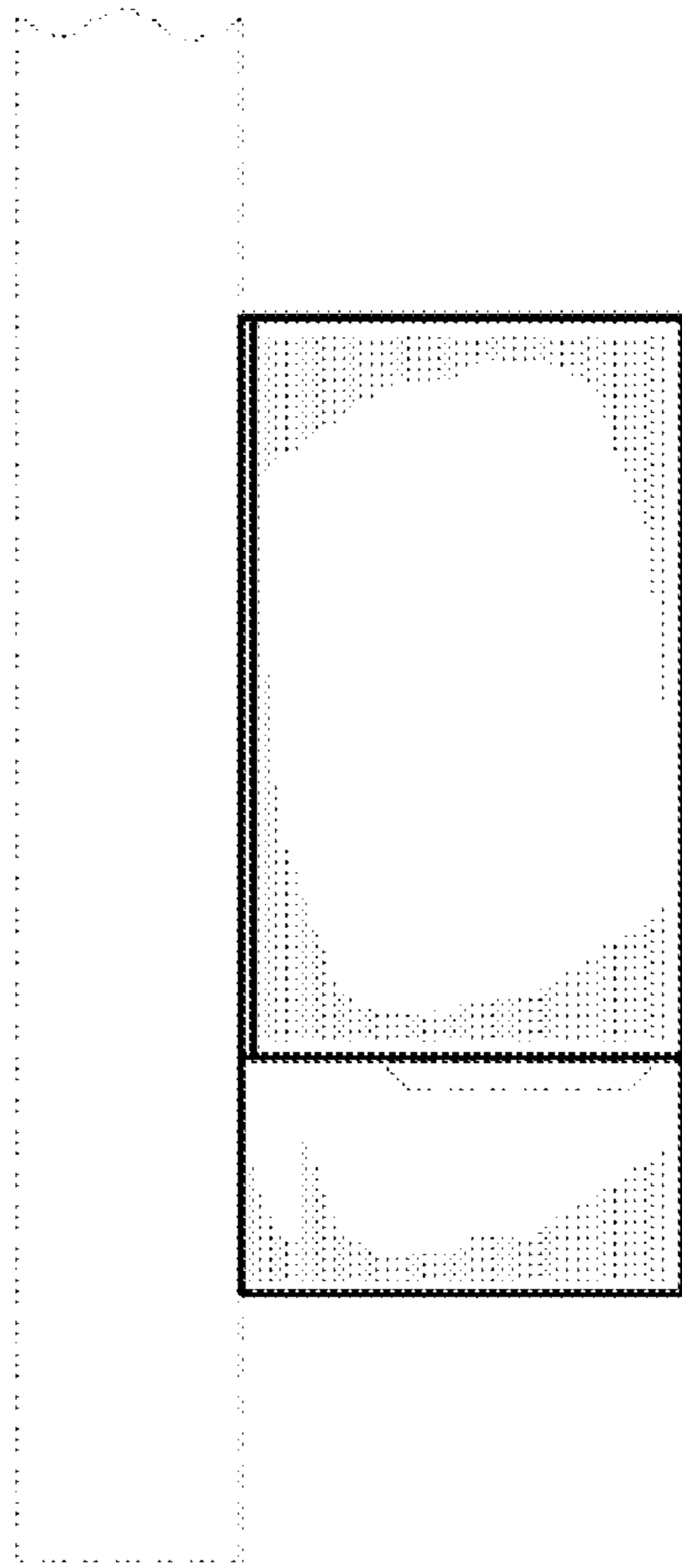


FIG. 3



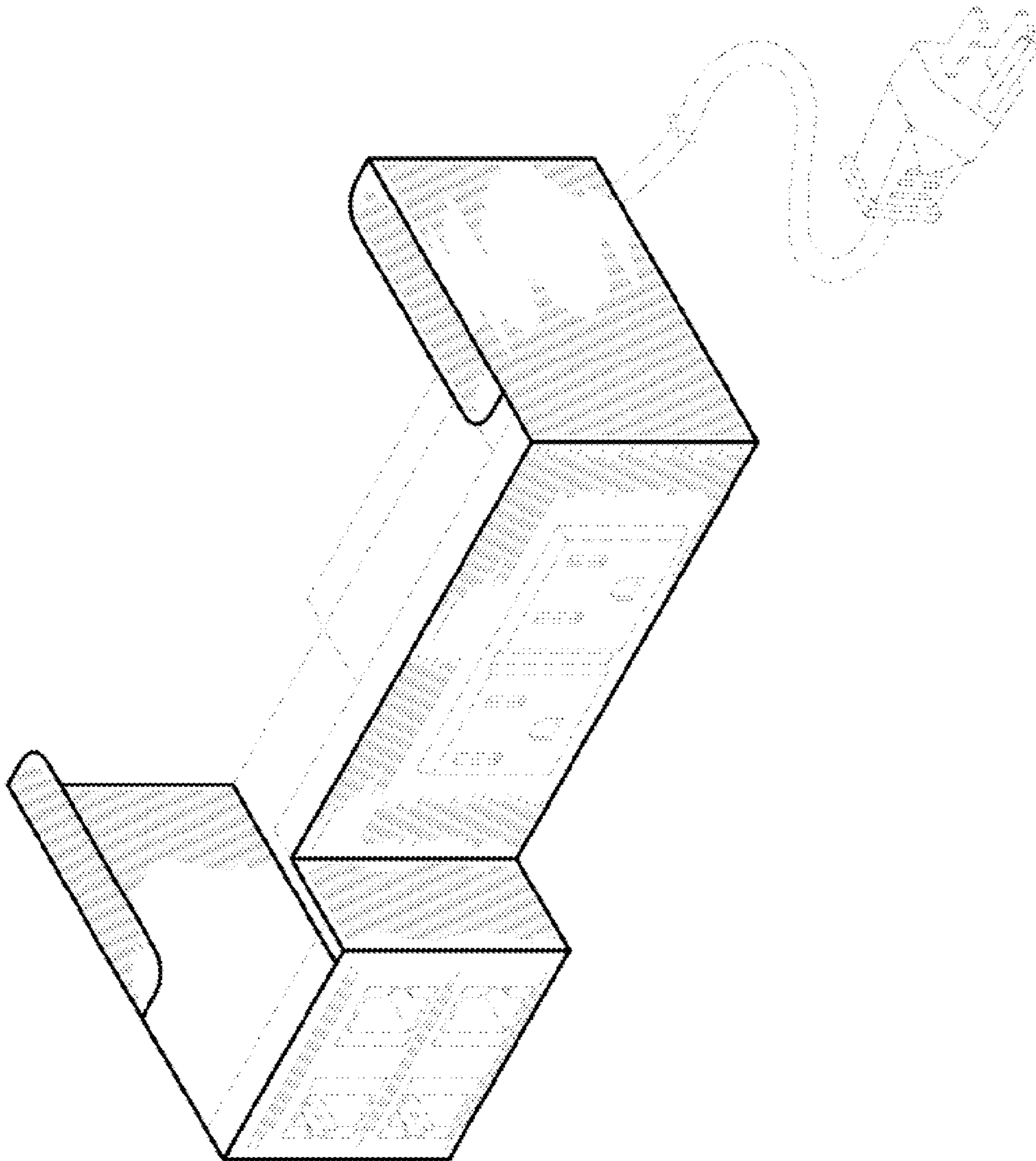


FIG.4

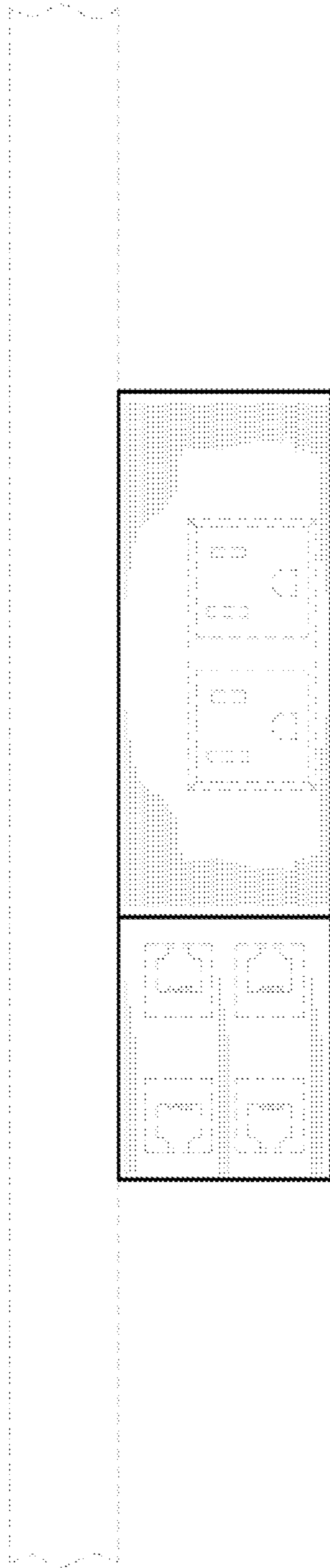


FIG.5

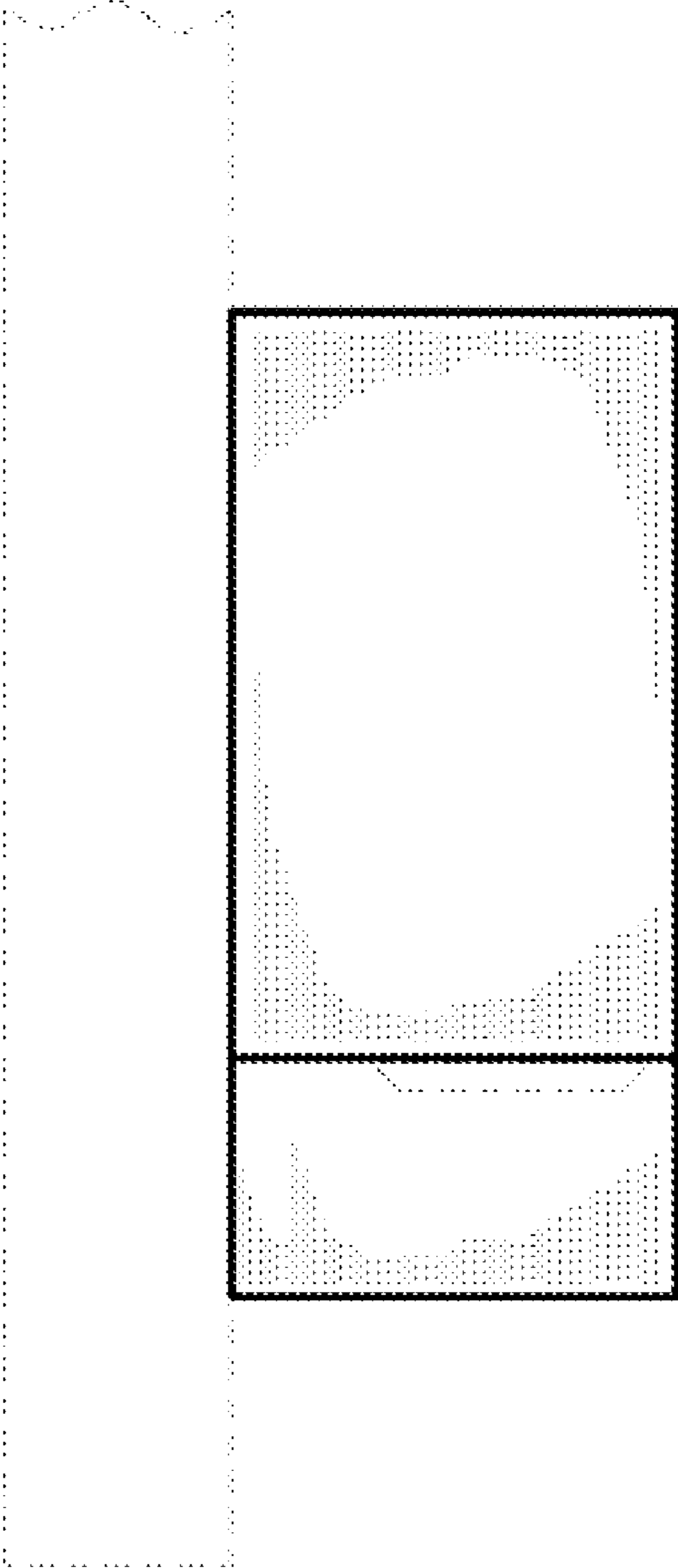


FIG. 6