



US00D579871S

(12) **United States Design Patent**
Hsiau

(10) **Patent No.:** **US D579,871 S**
(45) **Date of Patent:** **** Nov. 4, 2008**

(54) **ADAPTER**
(75) Inventor: **Yung-Li Hsiau**, Taipei (TW)
(73) Assignee: **D-Link Corporation**, Taipei (TW)
(**) Term: **14 Years**
(21) Appl. No.: **29/257,855**
(22) Filed: **Apr. 12, 2006**

D477,603 S * 7/2003 Chen D14/433
D478,086 S * 8/2003 Chuang D14/433
D514,096 S * 1/2006 Storti et al. D14/240
D523,854 S * 6/2006 Rinna et al. D14/358
D560,165 S * 1/2008 Matityahu et al. D13/133

* cited by examiner

Primary Examiner—Daniel D Bui
Assistant Examiner—Thomas J Johannes
(74) *Attorney, Agent, or Firm*—Bacon & Thomass, PLLC

(51) **LOC (8) Cl.** **13-03**
(52) **U.S. Cl.** **D13/133**
(58) **Field of Classification Search** D13/133,
D13/147, 154, 162, 164, 184, 199; D14/140,
D14/217, 240, 256, 299, 356, 432; 439/344,
439/535–536, 540.1, 638, 650, 676
See application file for complete search history.

(57) **CLAIM**

The ornamental design for an adapter, as shown.

DESCRIPTION

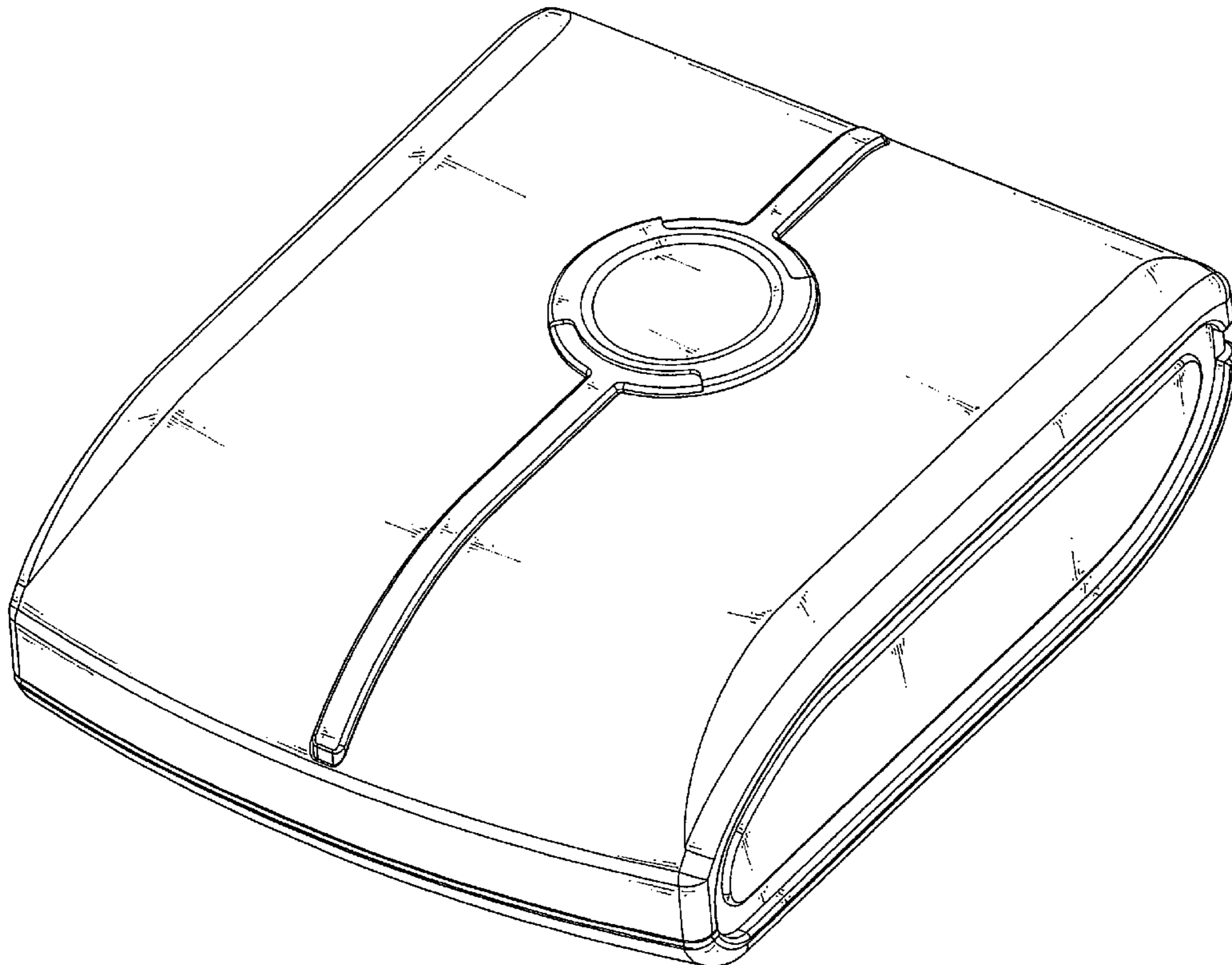
FIG. 1 is a perspective view of an adapter showing my new design;
FIG. 2 is a front elevational view thereof;
FIG. 3 is a rear elevational view thereof;
FIG. 4 is a left side elevational view thereof;
FIG. 5 is a right side elevational view thereof;
FIG. 6 is a top plan view thereof; and,
FIG. 7 is a bottom plan view thereof.

(56) **References Cited**

U.S. PATENT DOCUMENTS

D314,746 S * 2/1991 Benjamin et al. D13/133
D368,265 S * 3/1996 Fan D14/256
D425,021 S * 5/2000 Ko D13/123
D434,374 S * 11/2000 Ko D13/123
D436,919 S * 1/2001 Wakefield et al. D13/110
D470,839 S * 2/2003 Tuhkanen D14/240
D470,848 S * 2/2003 Morooka D14/433

1 Claim, 6 Drawing Sheets



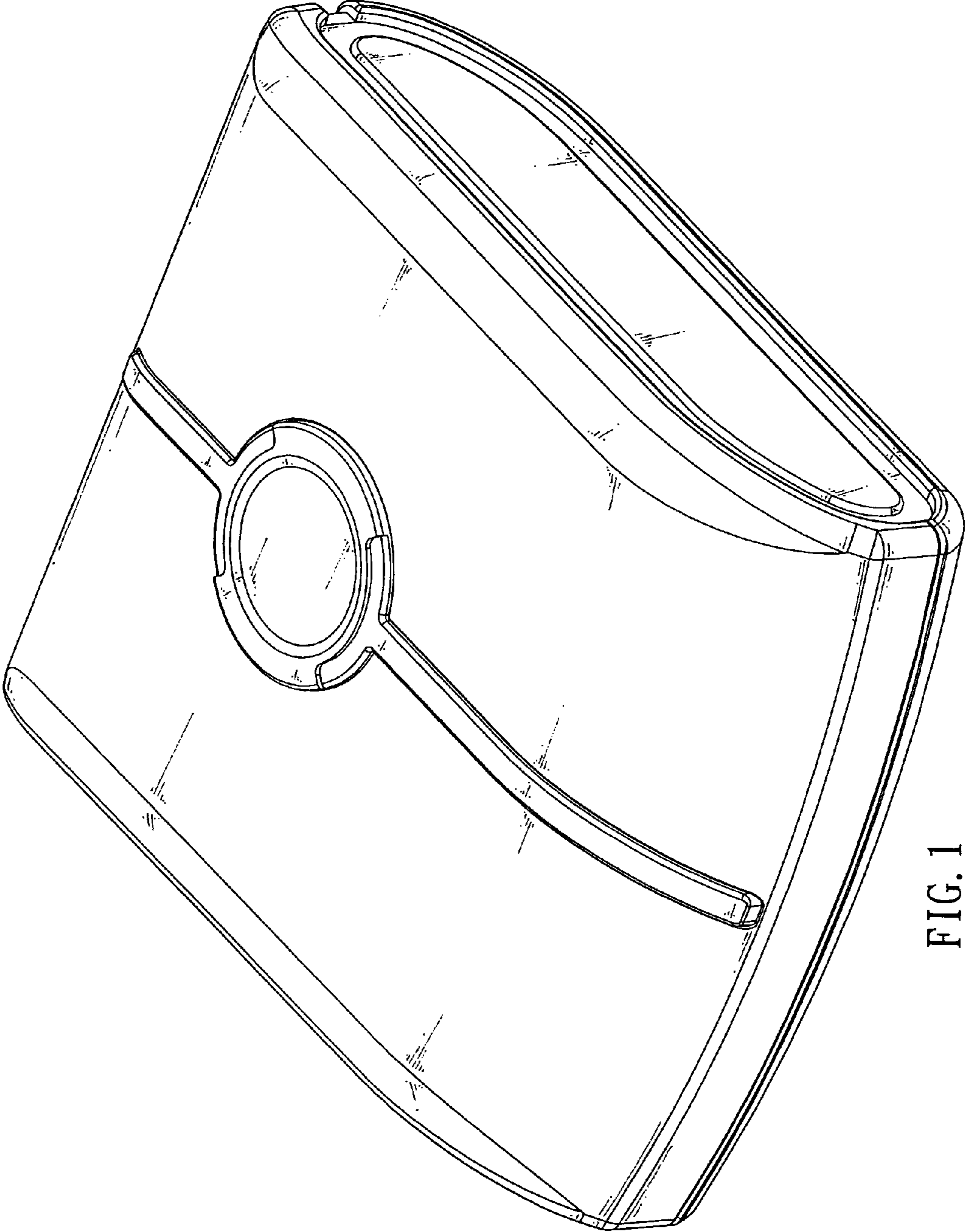


FIG. 1

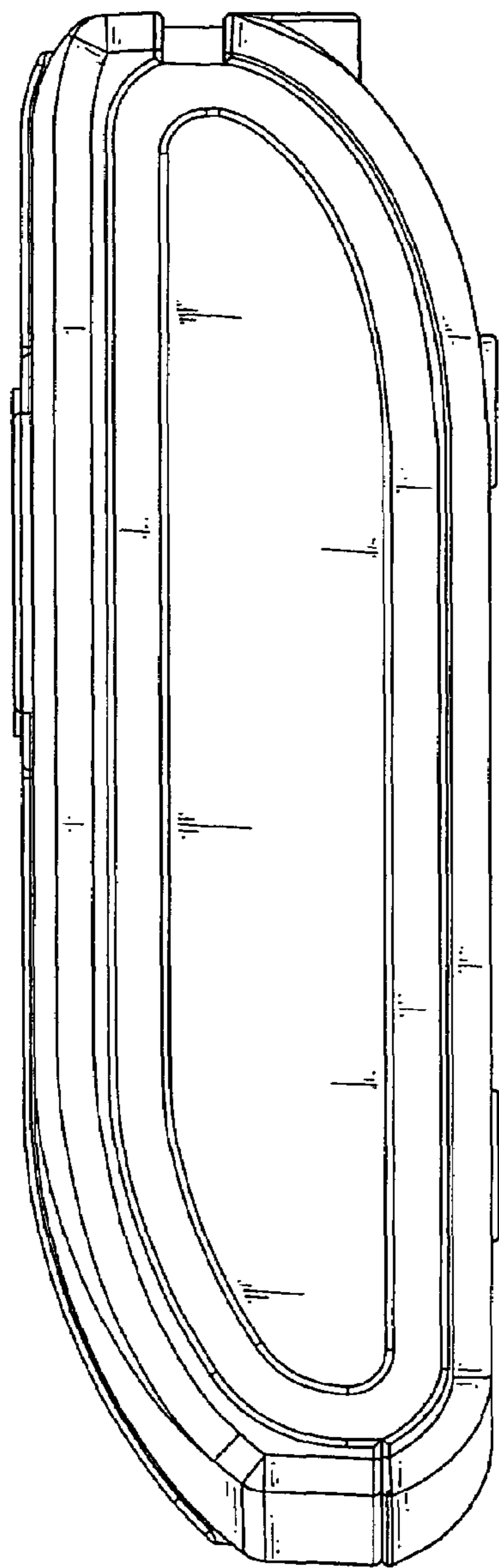


FIG. 2

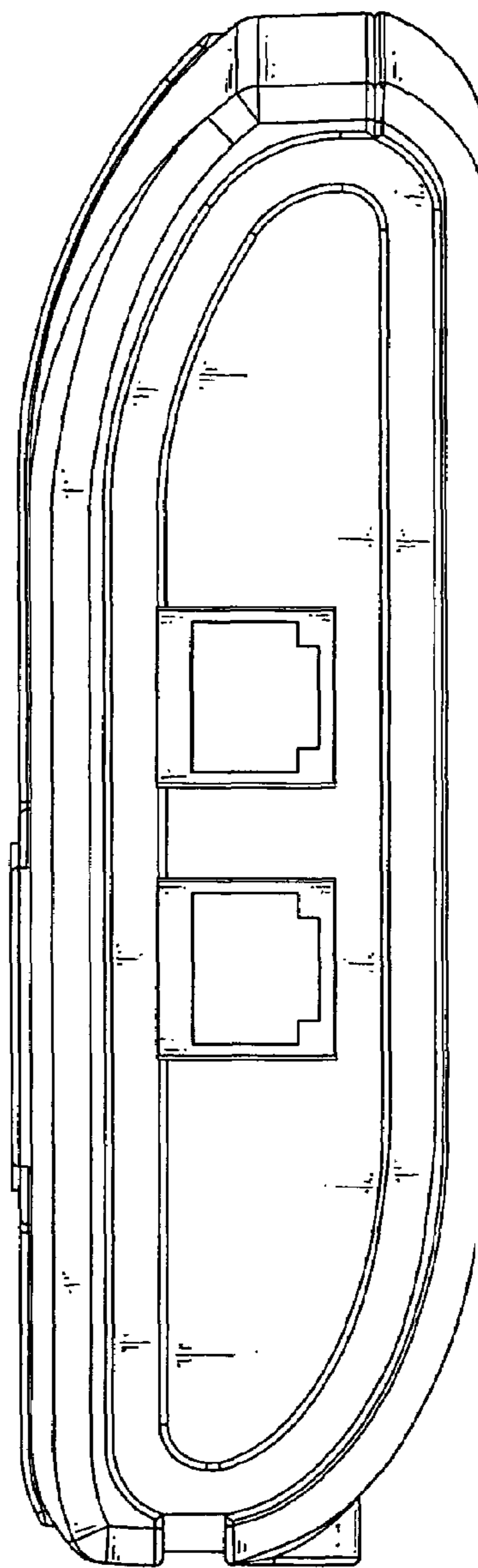


FIG. 3

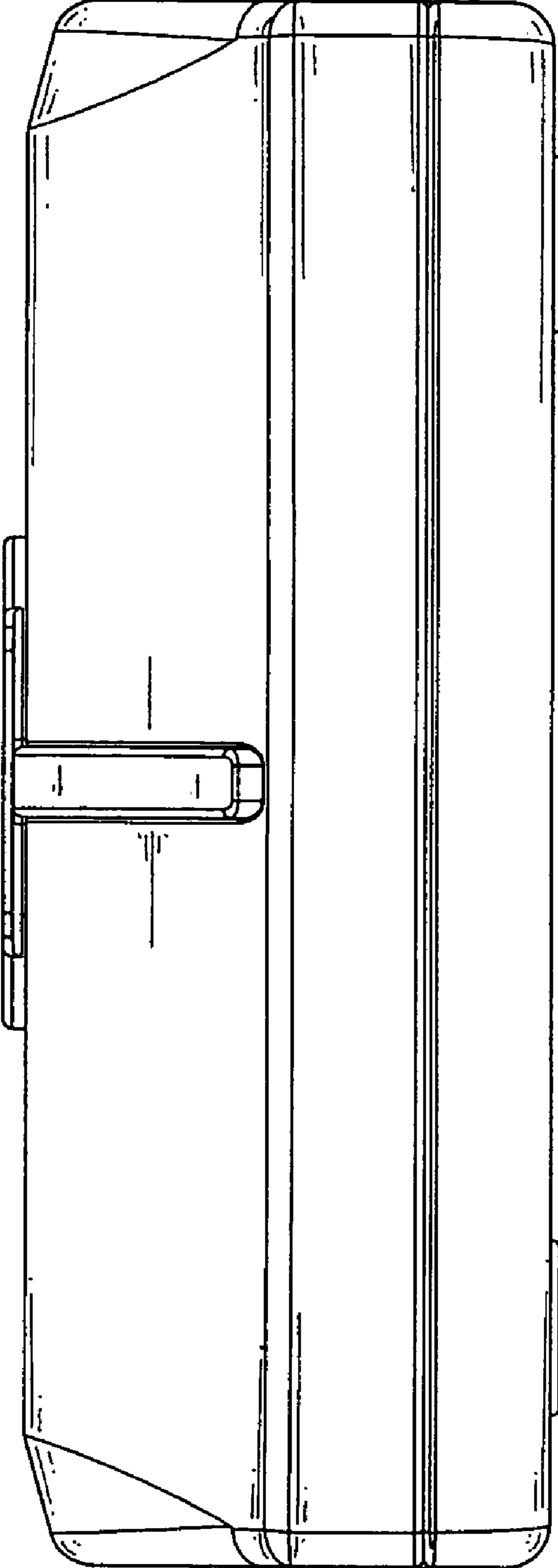


FIG. 4

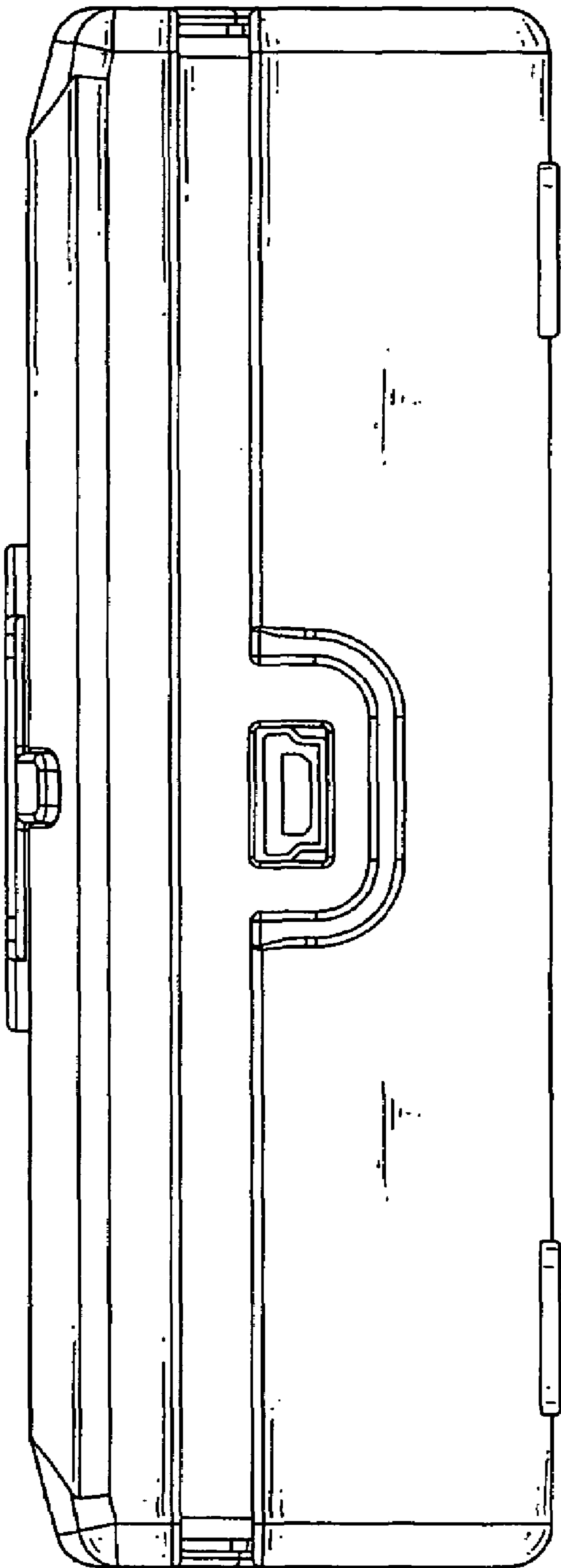


FIG. 5

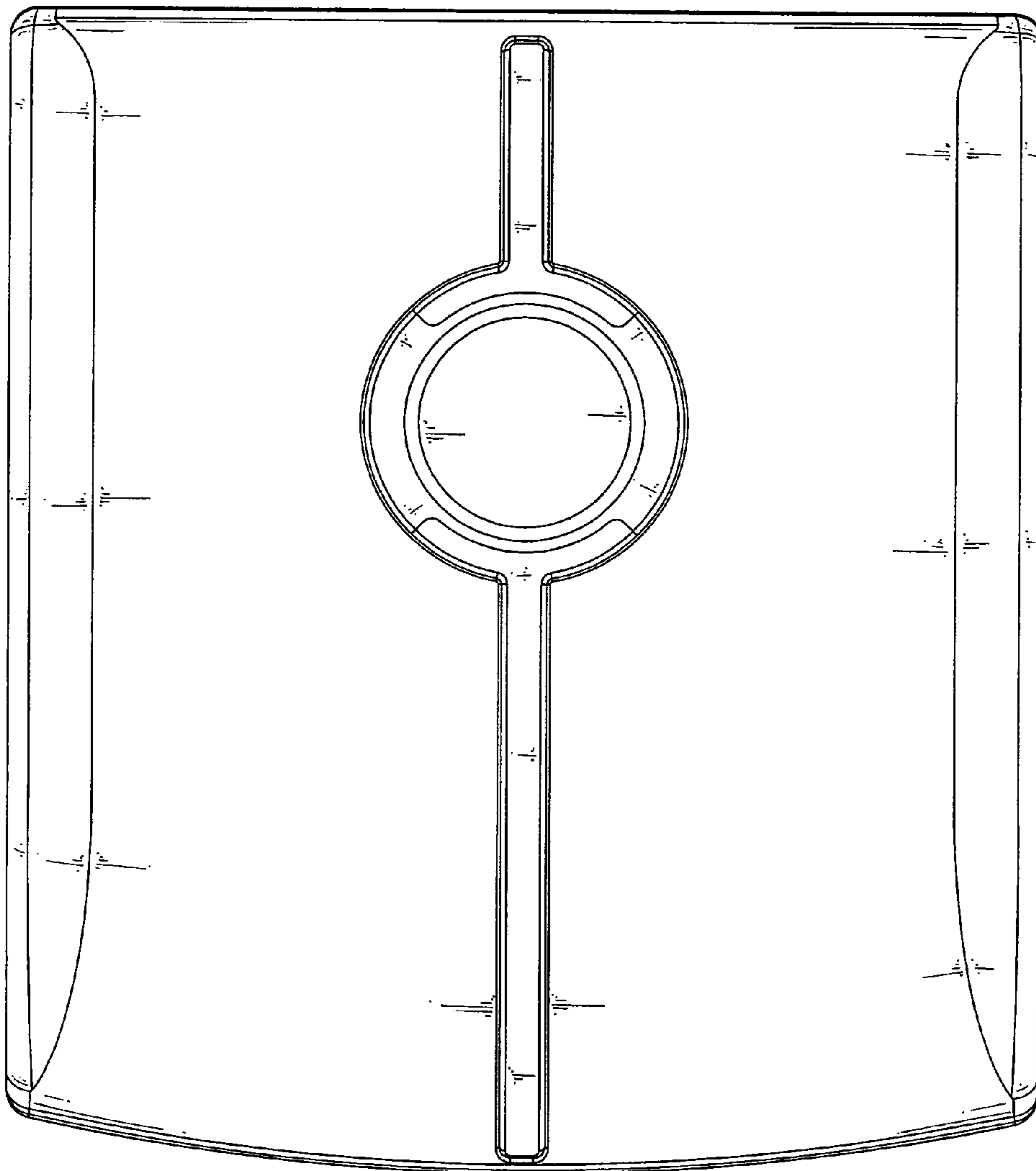


FIG. 6

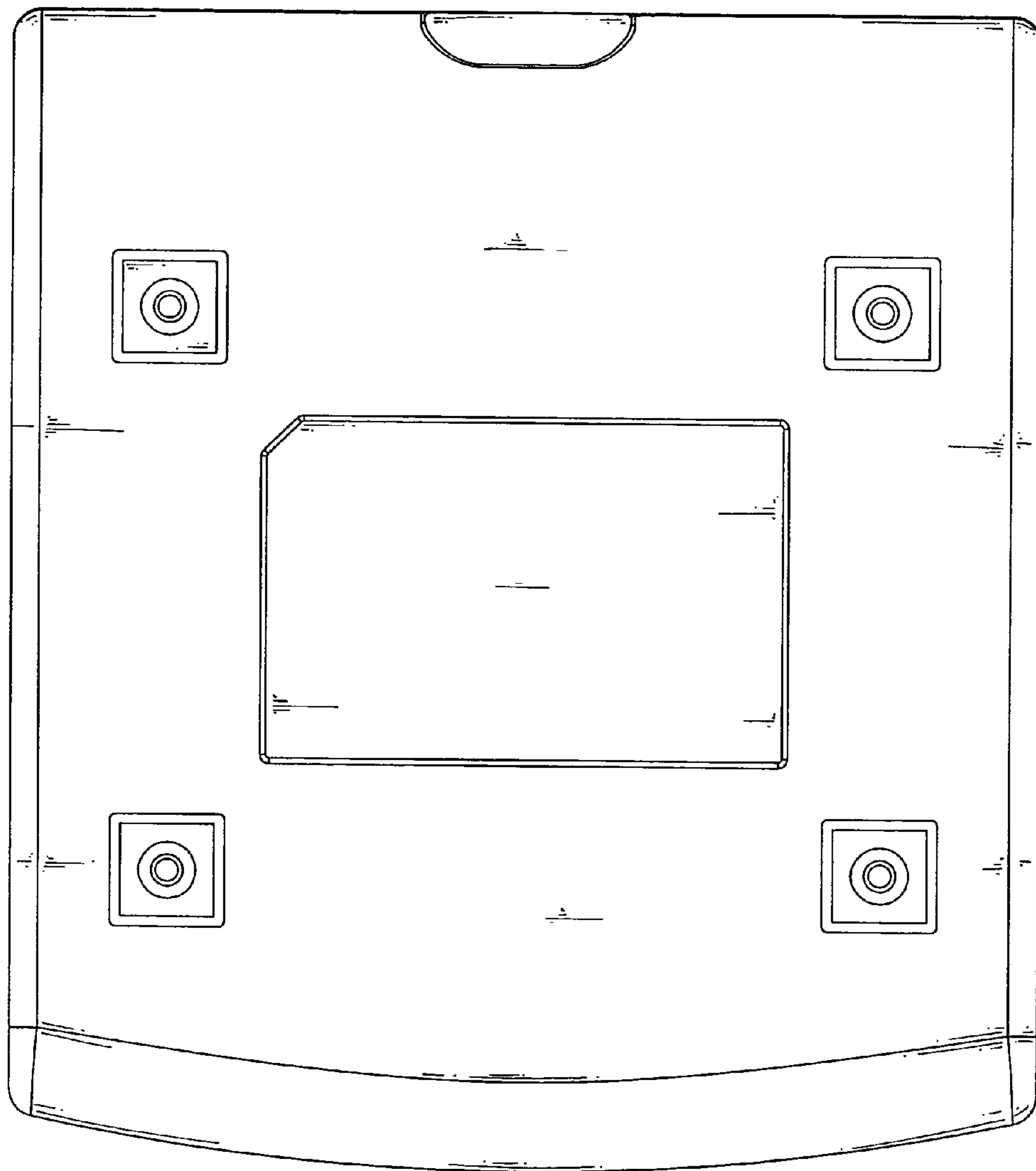


FIG. 7