



US00D579869S

(12) **United States Design Patent**
Lau et al.

(10) **Patent No.:** **US D579,869 S**
(45) **Date of Patent:** **** Nov. 4, 2008**

(54) **ELECTRIC MOTOR**

D325,560 S * 4/1992 Baines D13/112
D397,992 S * 9/1998 Shimomura et al. D13/112
D511,138 S * 11/2005 Kwan D13/112

(75) Inventors: **James Ching Sik Lau**, Hong Kong (CN); **Changlin Jin**, Shenzhen (CN); **Duncan Yiu Lung Wong**, Hong Kong (CN)

* cited by examiner

Primary Examiner—Prabhakar Deshmukh
Assistant Examiner—Derrick Holland

(73) Assignee: **Johnson Electric S.A.**, La Chaux-de-Fonds (CH)

(74) *Attorney, Agent, or Firm*—Birch, Stewart, Kolasch & Birch, LLP

(**) Term: **14 Years**

(57) **CLAIM**

(21) Appl. No.: **29/287,719**

The ornamental design for an electric motor, as shown and described.

(22) Filed: **Sep. 12, 2007**

DESCRIPTION

(51) **LOC (8) Cl.** **13-01**

(52) **U.S. Cl.** **D13/112**

(58) **Field of Classification Search** D13/112,
D13/113, 114, 122, 184, 199; D15/1, 5;
29/596, 598; 310/40 MM, 40 R, 85, 88,
310/89; 322/16, 39

FIG. 1 is a front elevational view showing our new design of an electric motor;

FIG. 2 is a rear elevational view thereof;

FIG. 3 is a top plan view thereof;

FIG. 4 is a bottom plan view thereof;

FIG. 5 is a left side elevational view thereof;

FIG. 6 is a right side elevational view thereof; and,

FIG. 7 is a perspective view thereof.

See application file for complete search history.

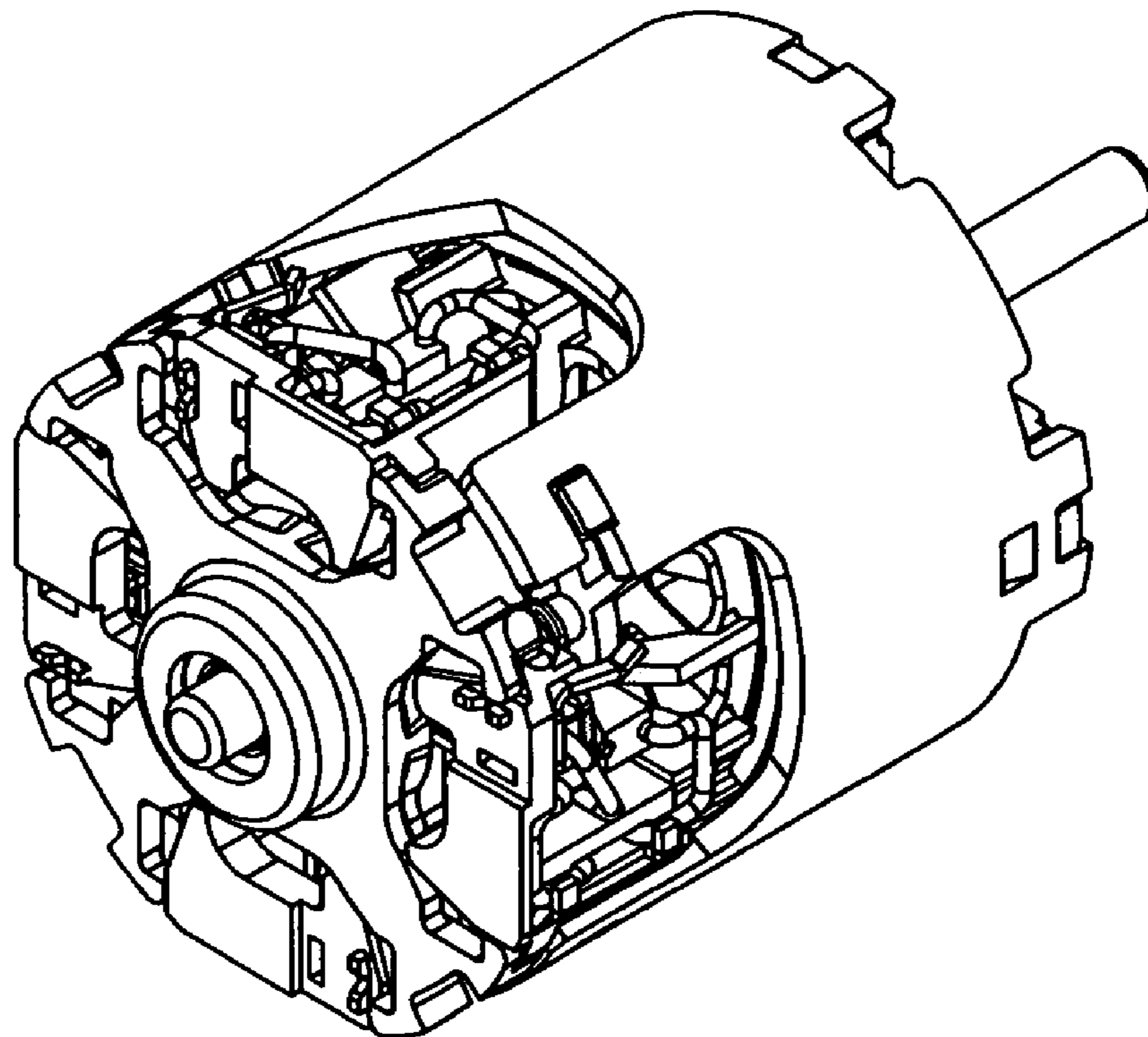
The entire area shown in broken lines beyond the cross like element in FIG. 6 illustrates the portions of the design that form no part of the claimed invention.

(56) **References Cited**

U.S. PATENT DOCUMENTS

D205,662 S * 9/1966 Bluemink D13/112
D245,498 S * 8/1977 Andreas D13/112
D245,499 S * 8/1977 Andreas D13/112
4,244,098 A * 1/1981 Barcus 29/596
D297,426 S * 8/1988 Mabuchi D13/112
D304,169 S * 10/1989 Hoshino et al. D13/112

1 Claim, 4 Drawing Sheets



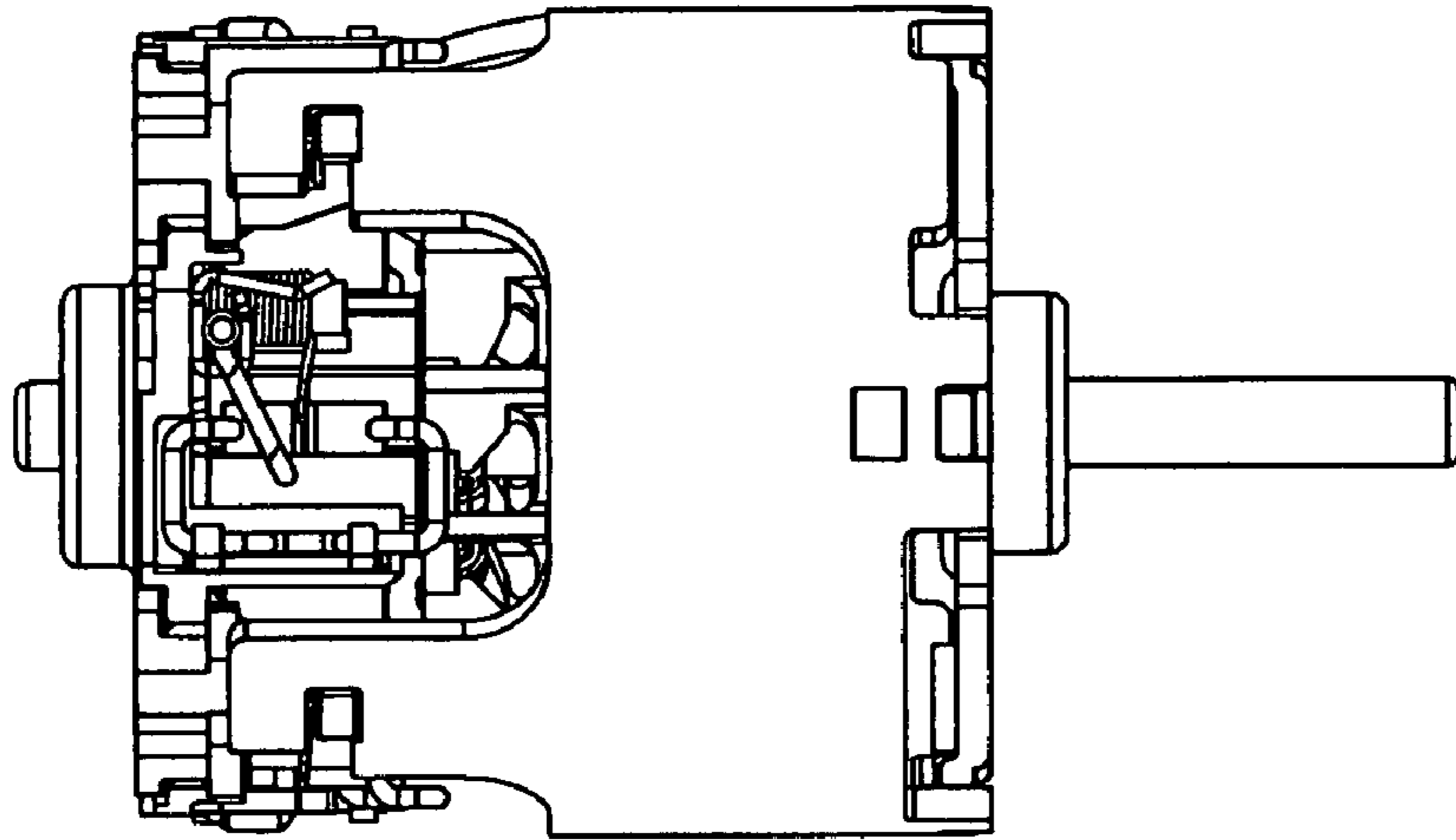


FIG. 1

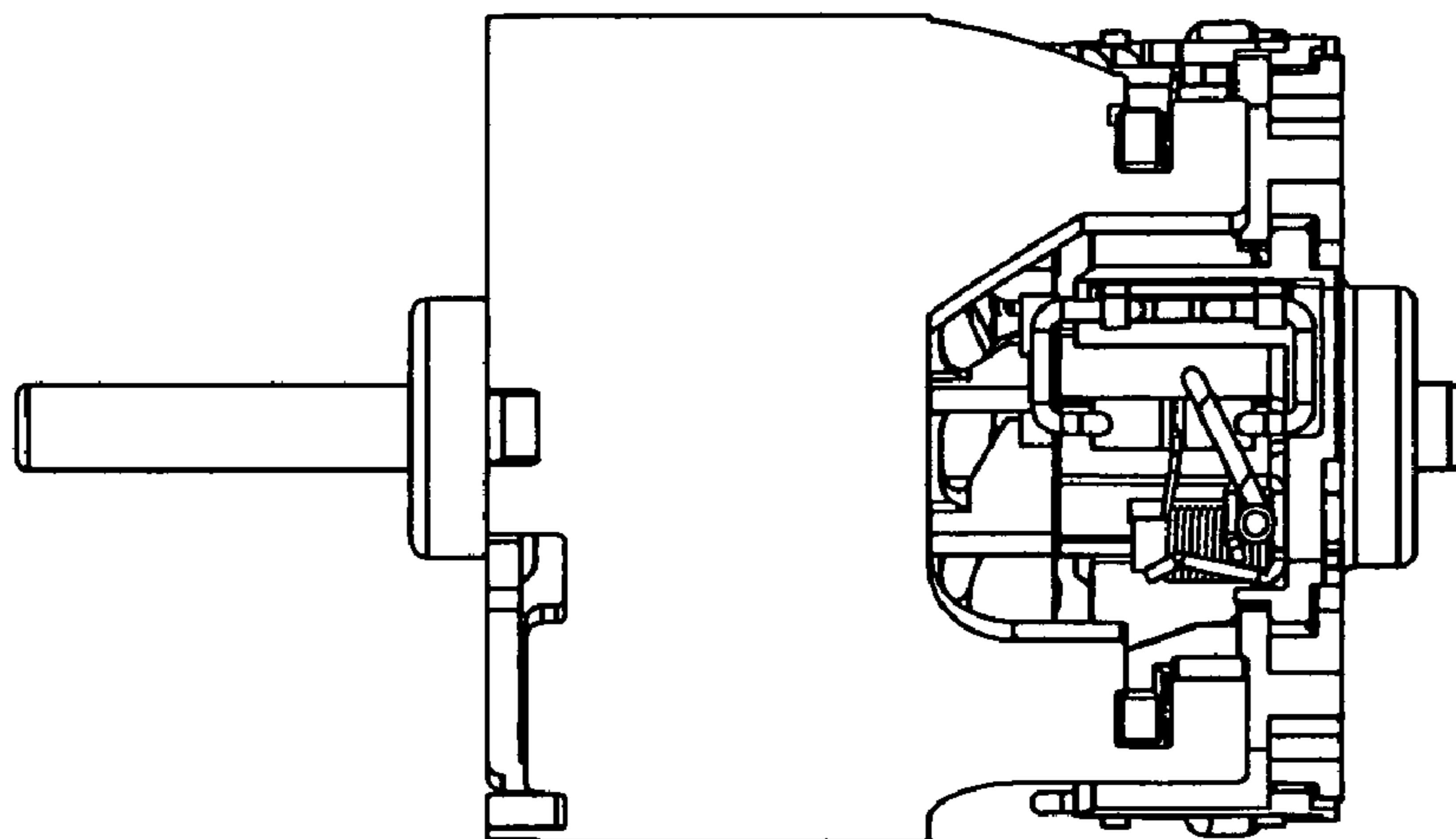


FIG. 2

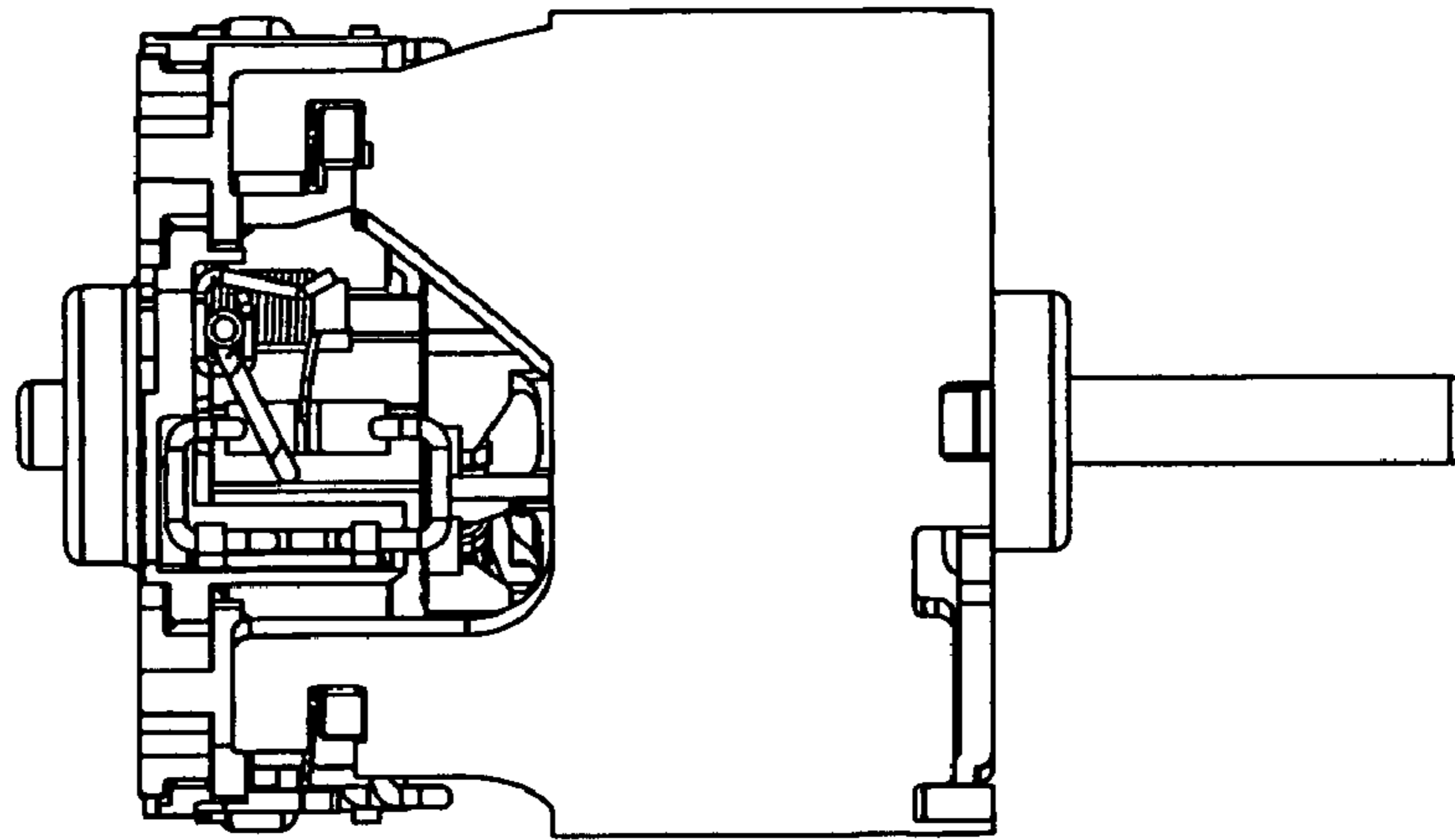


FIG. 3

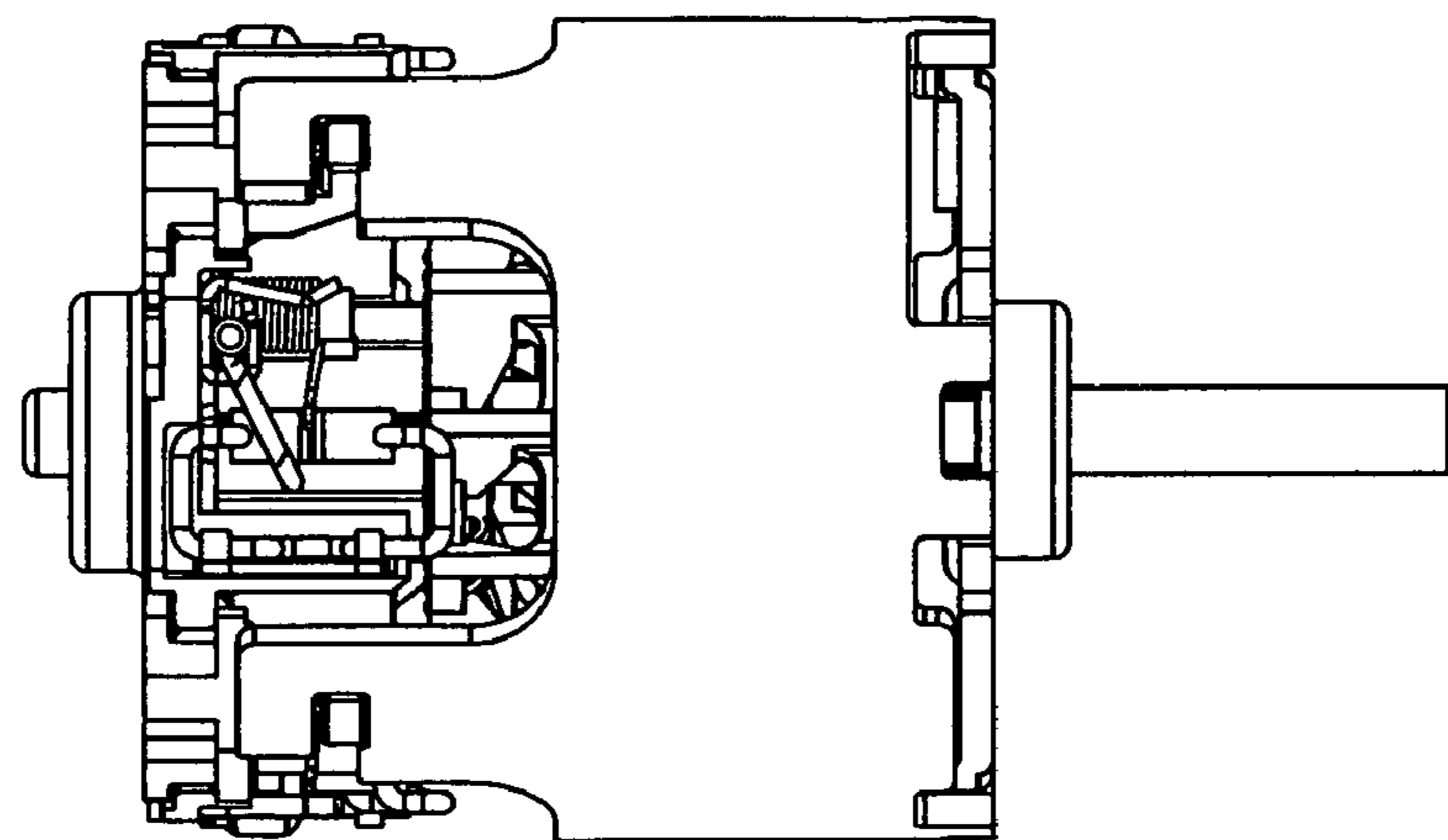


FIG. 4

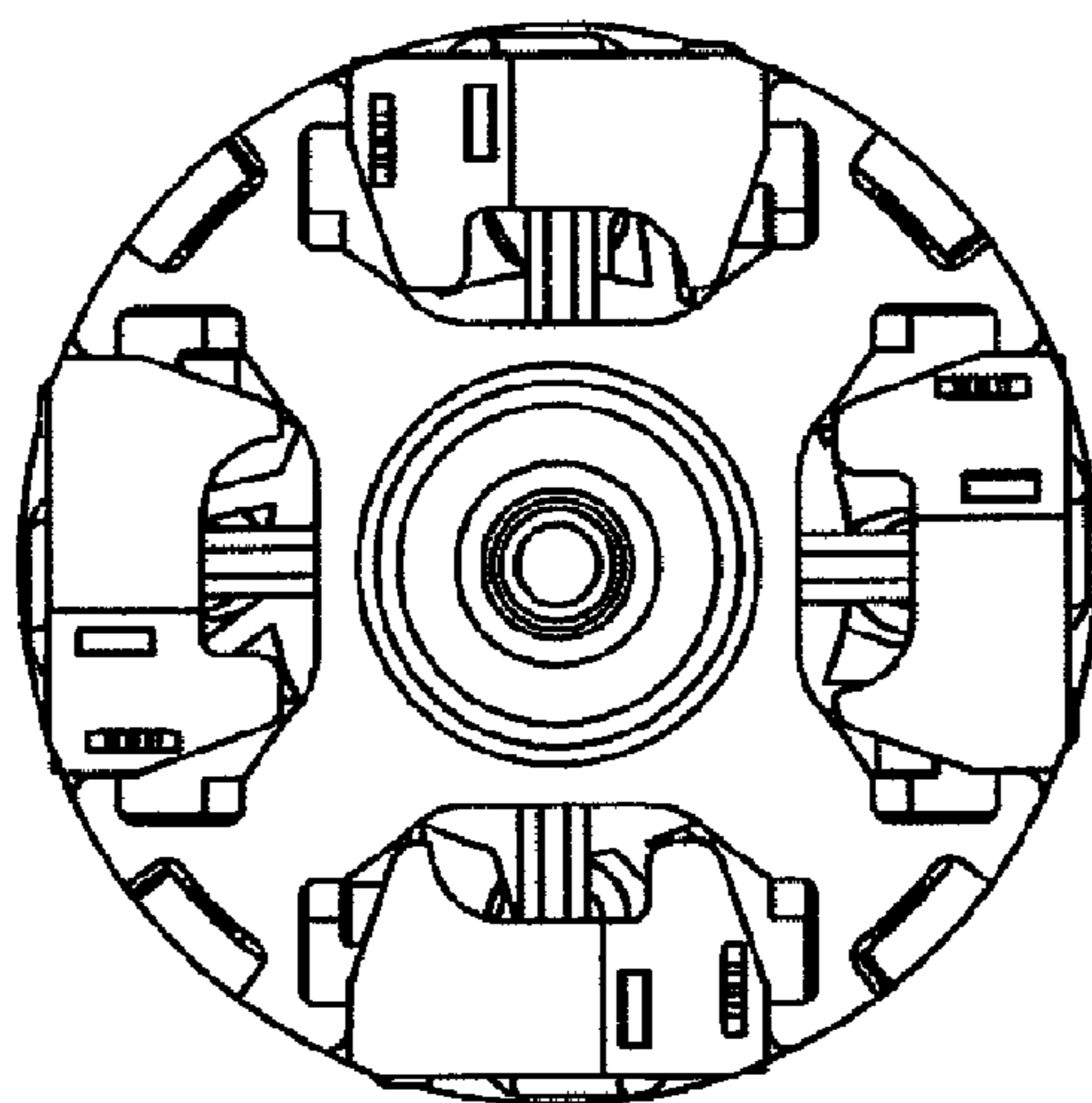


FIG. 5

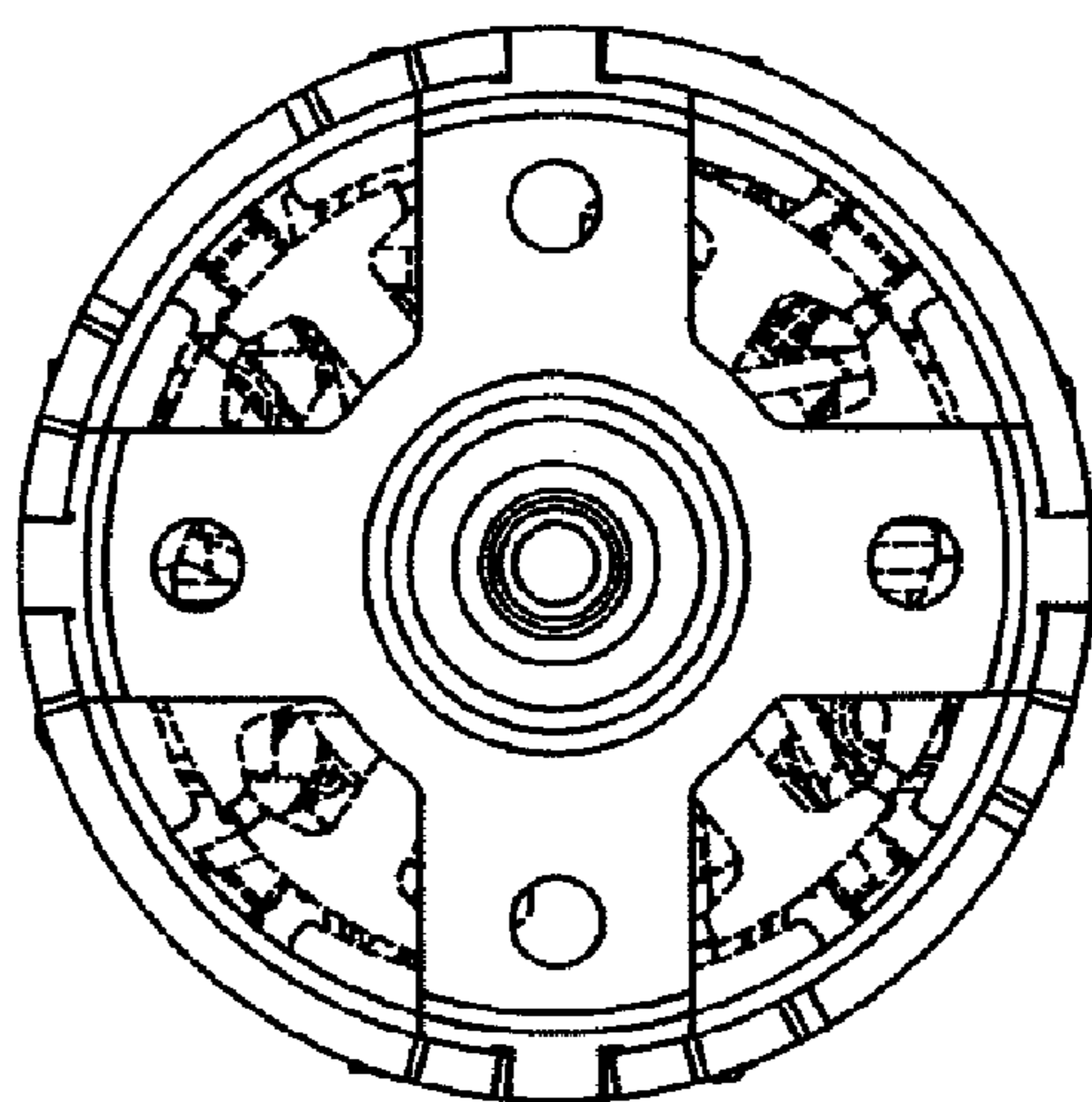


FIG. 6

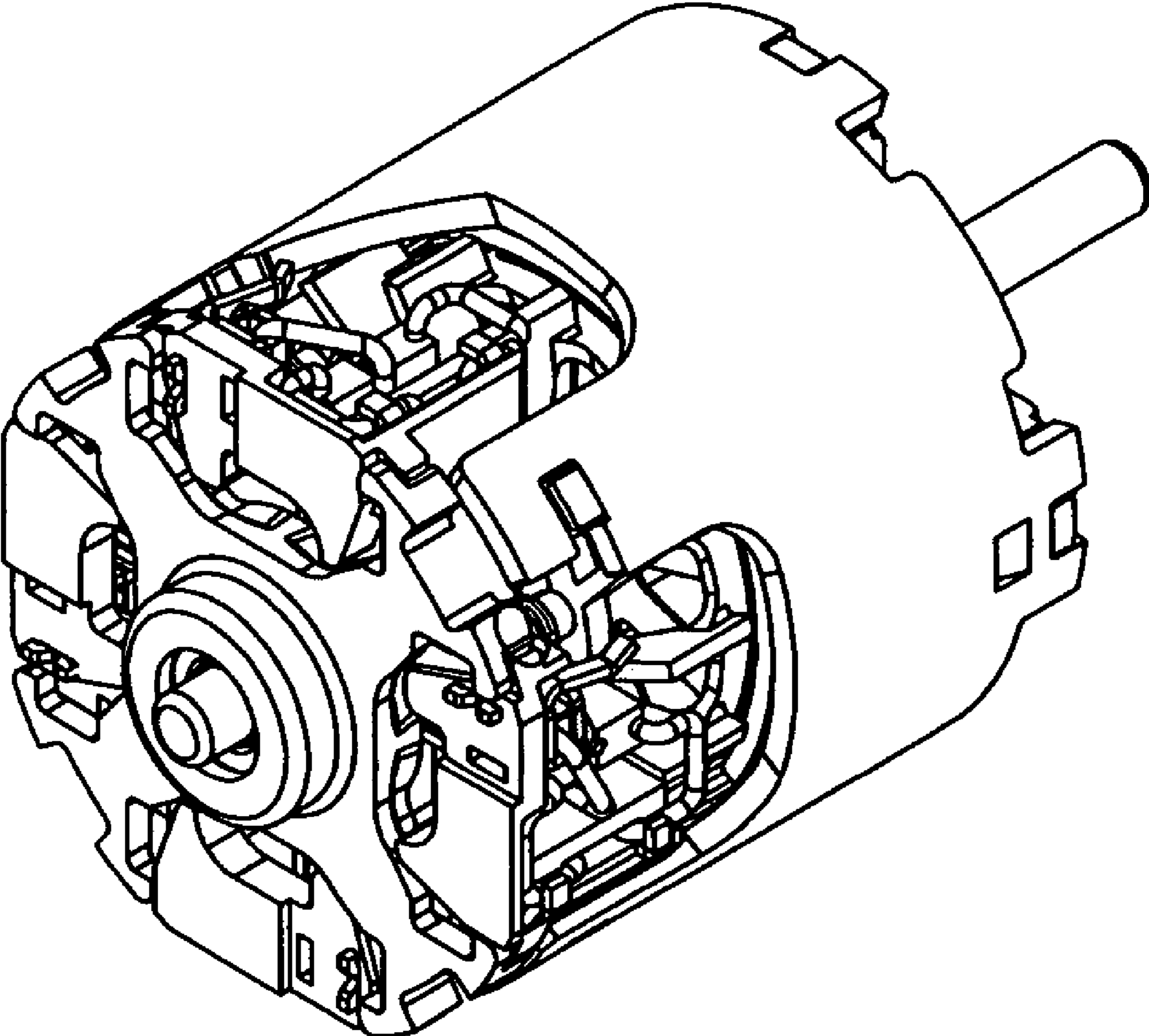


FIG. 7