



US00D579868S

(12) **United States Design Patent**  
**Harrison**

(10) **Patent No.:** **US D579,868 S**

(45) **Date of Patent:** **\*\* Nov. 4, 2008**

(54) **BATTERY**

(75) Inventor: **Ryan Harrison**, Anderson, SC (US)

(73) Assignee: **Eastway Fair Company Ltd.**, Tortola (VG)

(\*\*) Term: **14 Years**

(21) Appl. No.: **29/305,871**

(22) Filed: **Mar. 28, 2008**

(51) **LOC (8) Cl.** ..... **13-02**

(52) **U.S. Cl.** ..... **D13/103; D13/119**

(58) **Field of Classification Search** ..... D13/102–106,  
D13/110, 118–120, 184; 429/96–100, 163,  
429/176

See application file for complete search history.

(56) **References Cited**

**U.S. PATENT DOCUMENTS**

D321,338 S *	11/1991	Sakamoto et al. ....	D13/103
D323,642 S *	2/1992	Liao .....	D13/119
D342,479 S *	12/1993	Kimata .....	D13/103
D368,067 S *	3/1996	Okumura .....	D13/103
D384,639 S *	10/1997	Kawakami et al. ....	D13/103
D397,991 S *	9/1998	Kawakami et al. ....	D13/103
D412,485 S *	8/1999	Kato et al. ....	D13/103
D417,648 S *	12/1999	Clowers et al. ....	D13/103
D474,445 S *	5/2003	Matsuoka et al. ....	D13/103
D504,394 S *	4/2005	Cheung et al. ....	D13/103

D528,975 S *	9/2006	Chi et al. ....	D13/103
D544,436 S *	6/2007	Kawahara et al. ....	D13/103
D547,264 S *	7/2007	Kondo .....	D13/103

\* cited by examiner

*Primary Examiner*—Melanie H Tung

*Assistant Examiner*—Rosemary K Tarcza

(74) *Attorney, Agent, or Firm*—Brinks Hofer Gilson & Lione

(57) **CLAIM**

We claim the ornamental design for a battery, as shown and described.

**DESCRIPTION**

FIG. 1 is a perspective view of a battery of the present invention.

FIG. 2 is a left side view of the battery of FIG. 1.

FIG. 3 is a front side view of the battery of FIG. 1.

FIG. 4 is a rear side view of the battery of FIG. 1.

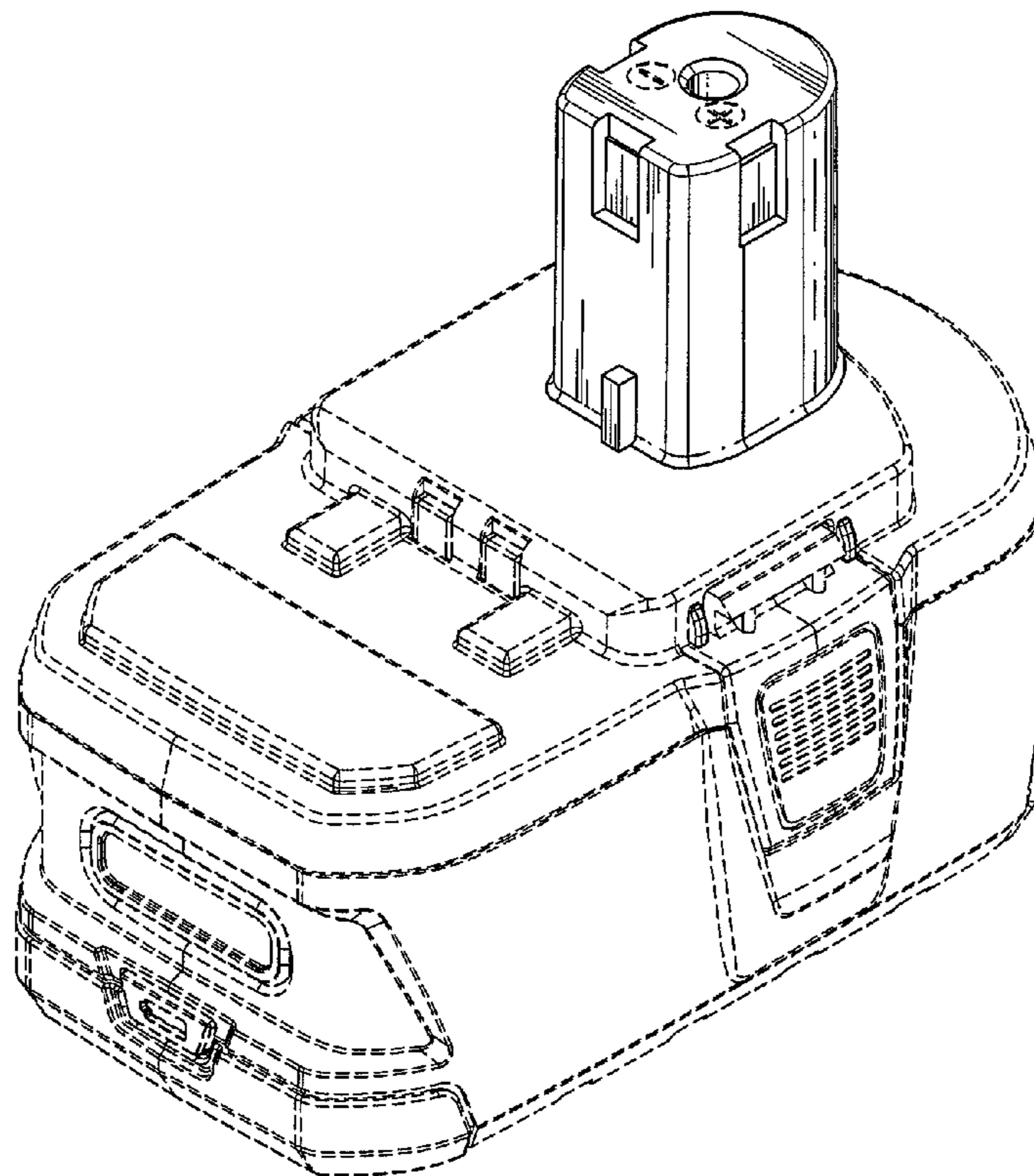
FIG. 5 is a right side view of the battery of FIG. 1.

FIG. 6 is a top view of the battery of FIG. 1; and,

FIG. 7 is a bottom view of the battery of FIG. 1.

The ornamental design which is claimed is shown in solid lines in the drawings. Any broken lines in the drawings are for illustrative purposes only and form no part of the claimed design.

**1 Claim, 7 Drawing Sheets**



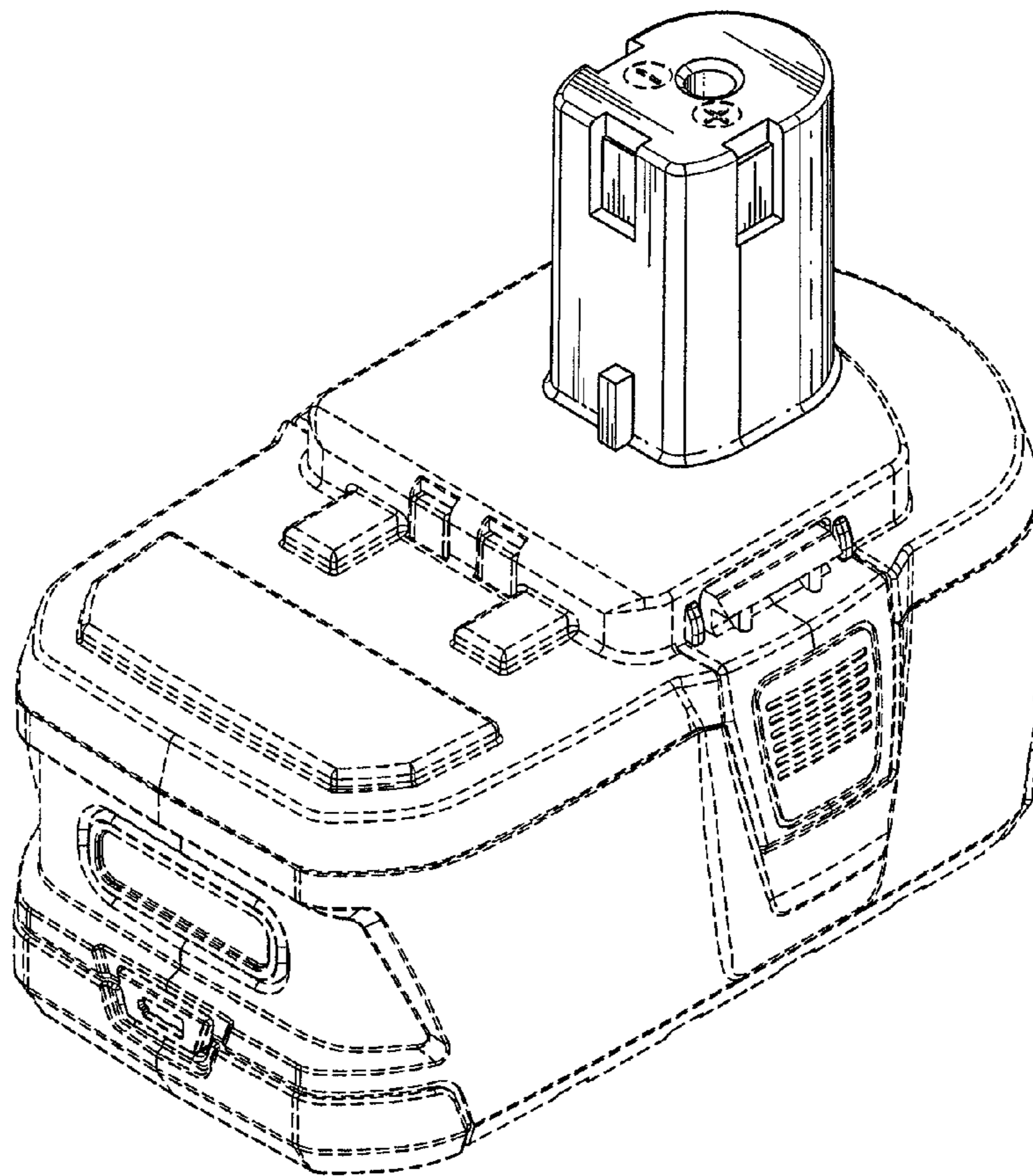


FIG. 1

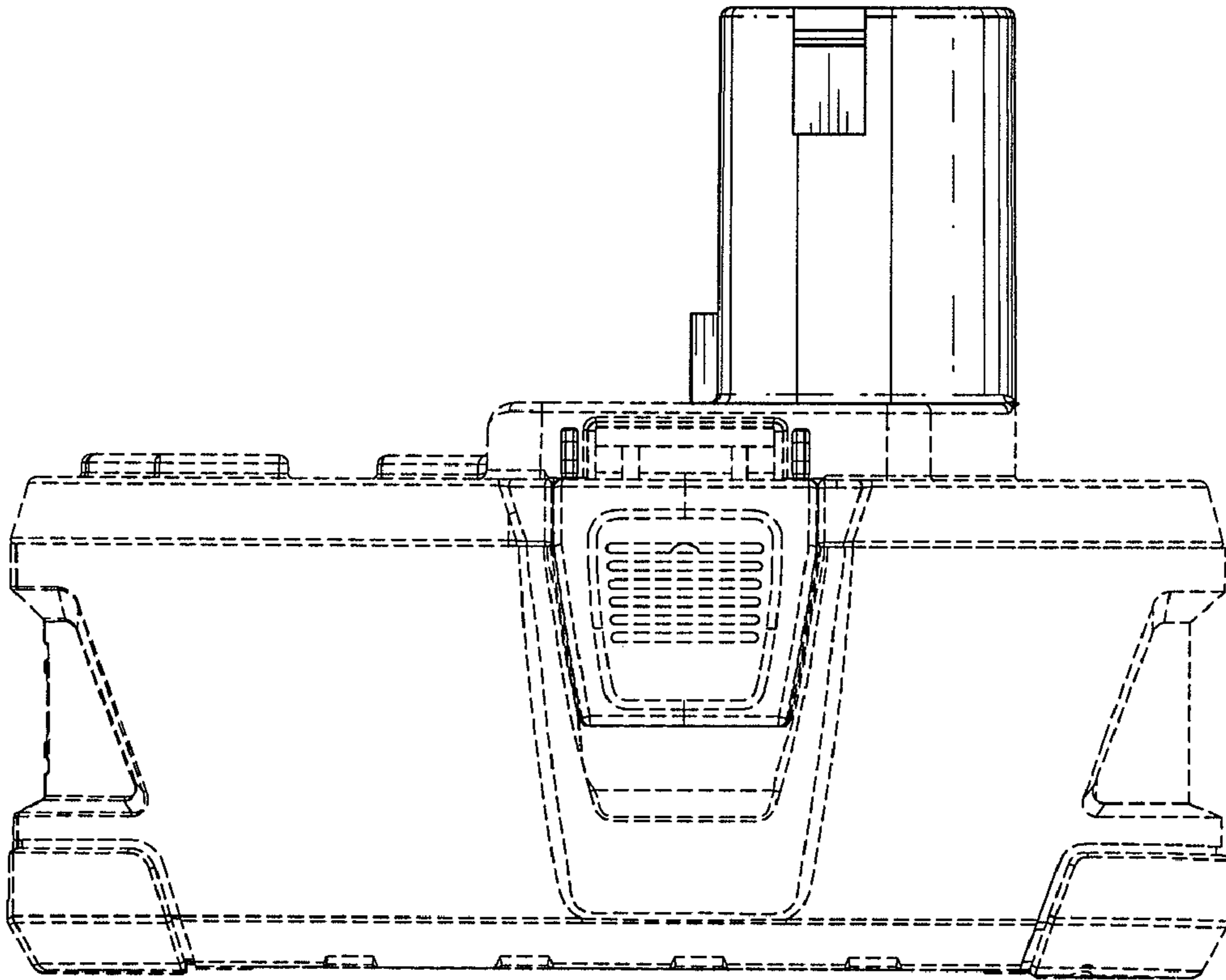


FIG. 2

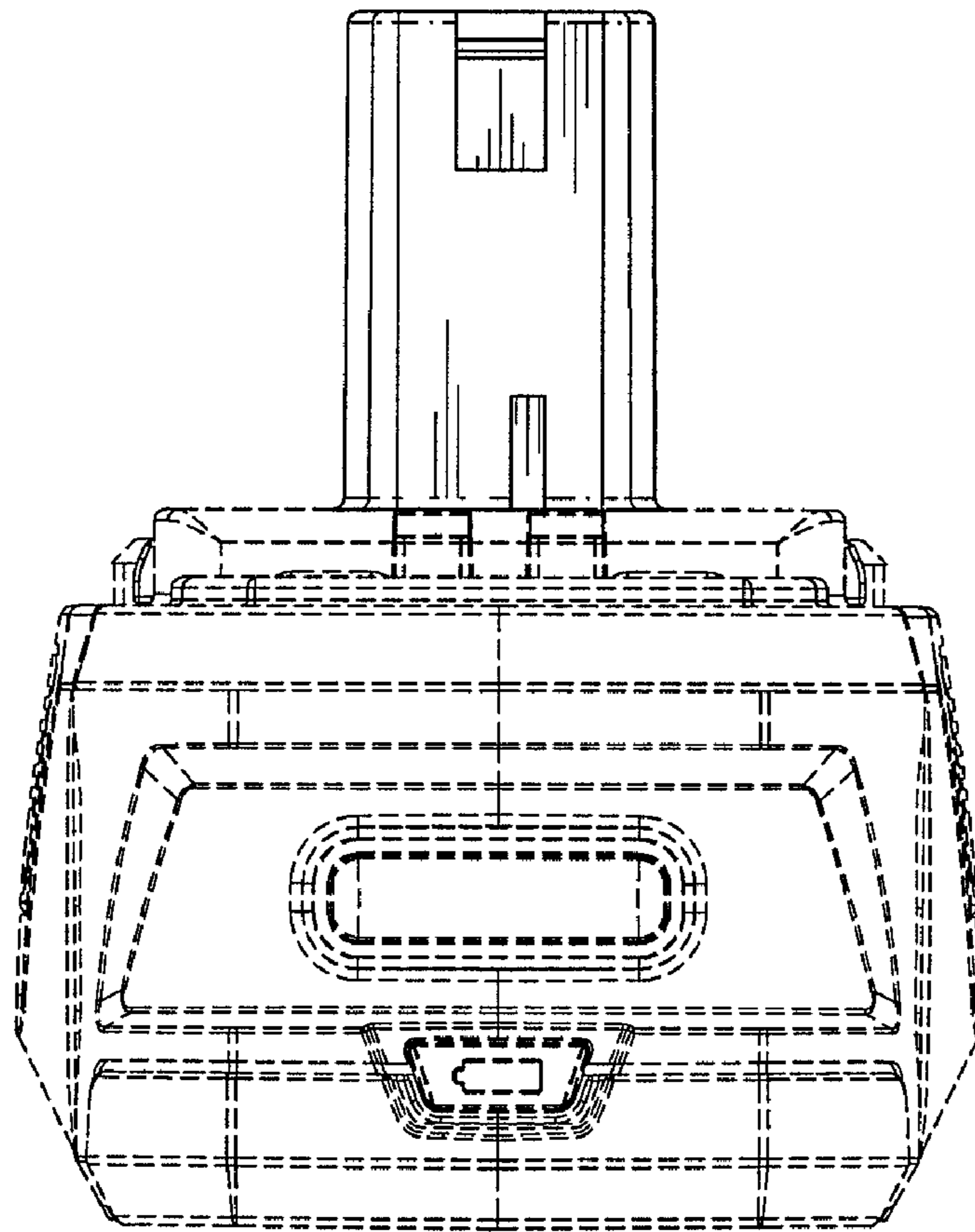


FIG. 3

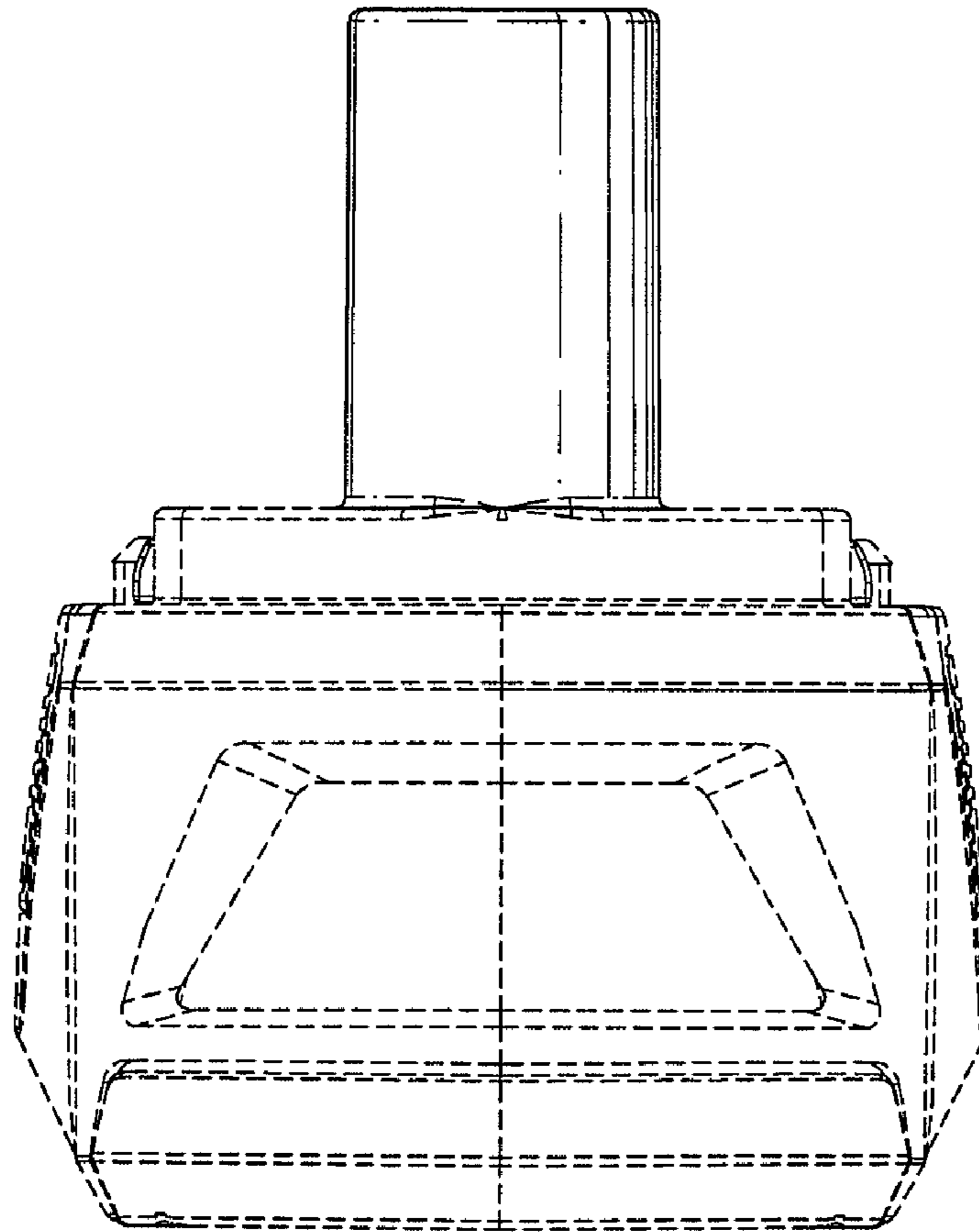


FIG. 4

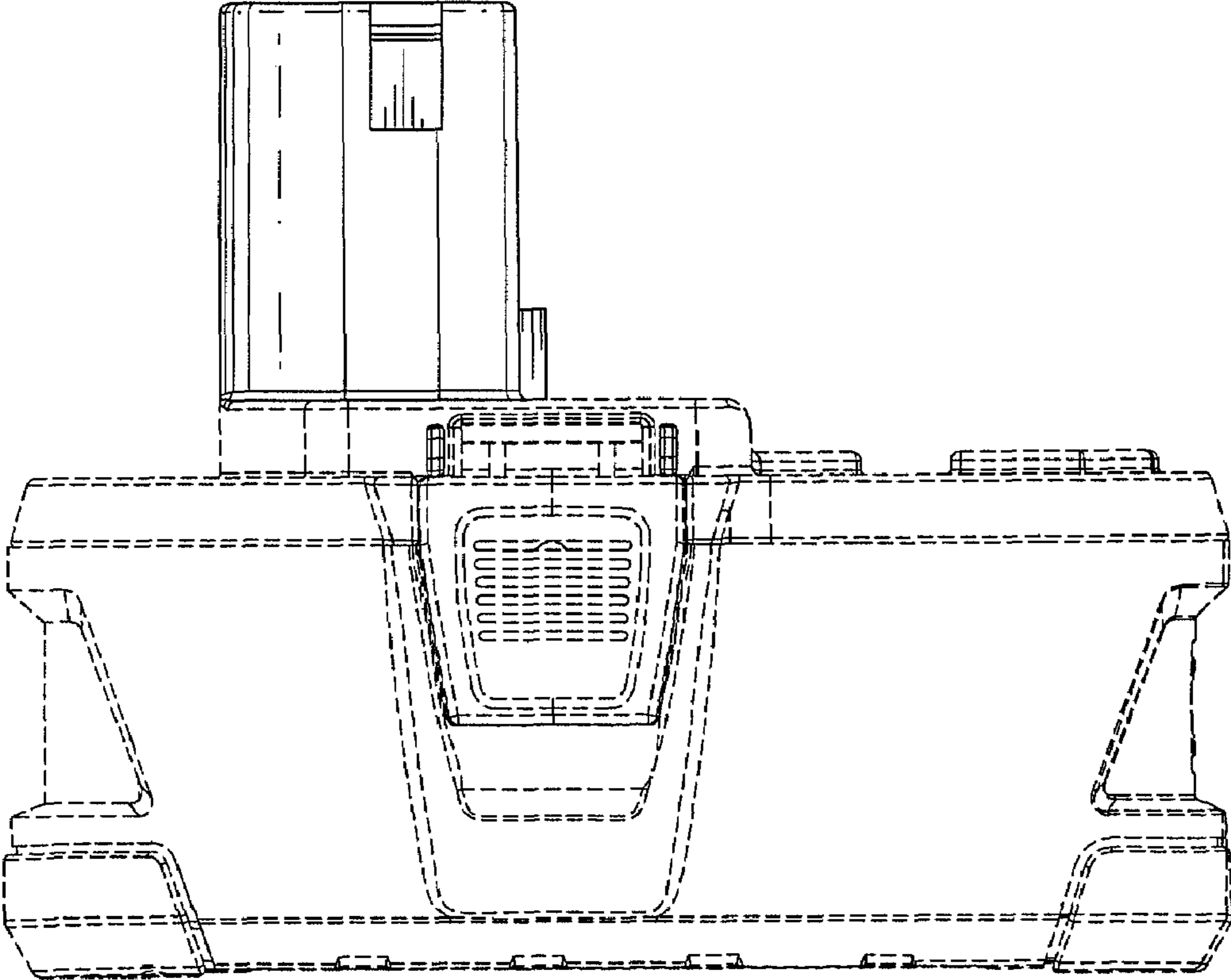


FIG. 5

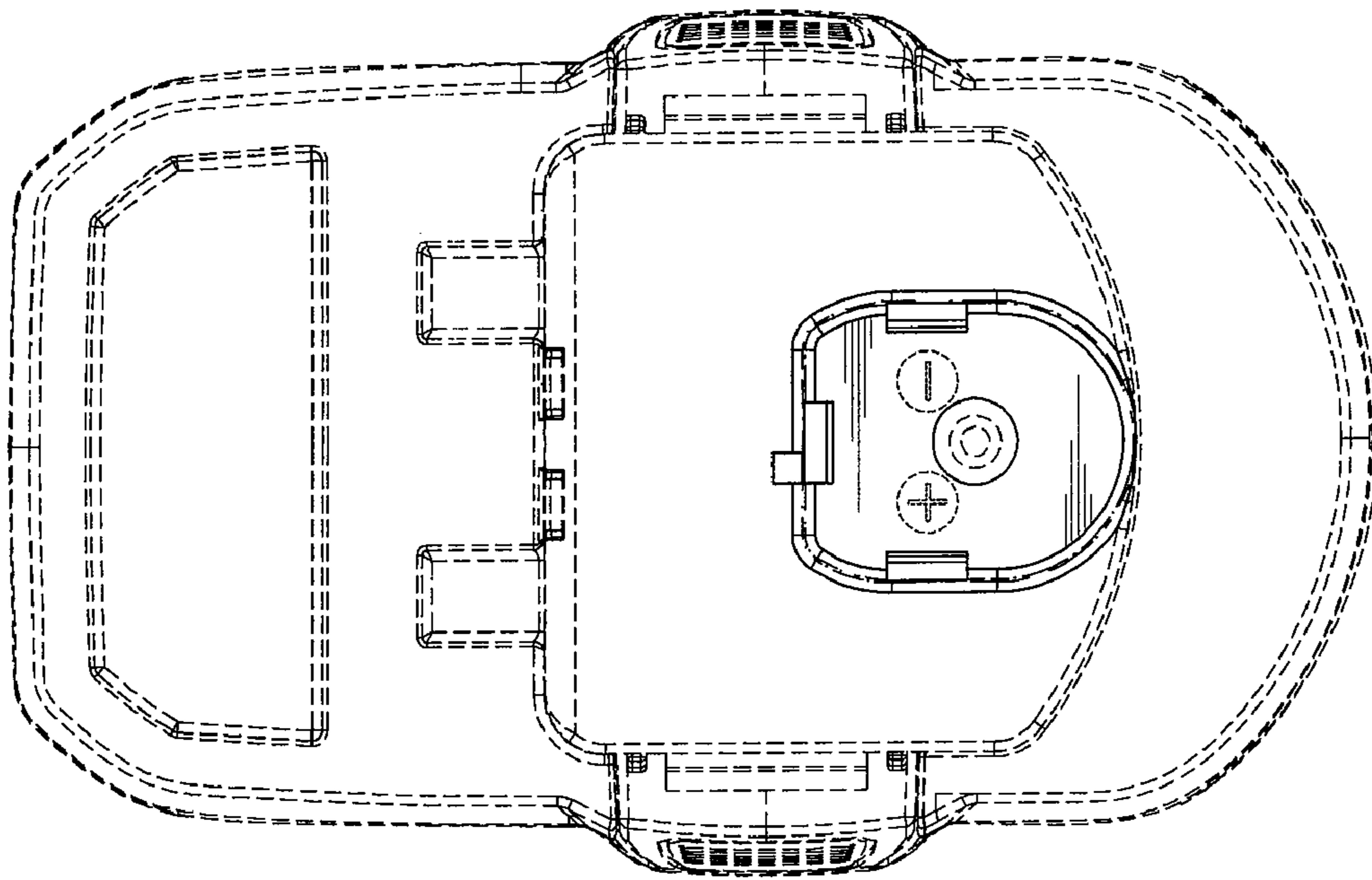


FIG. 6

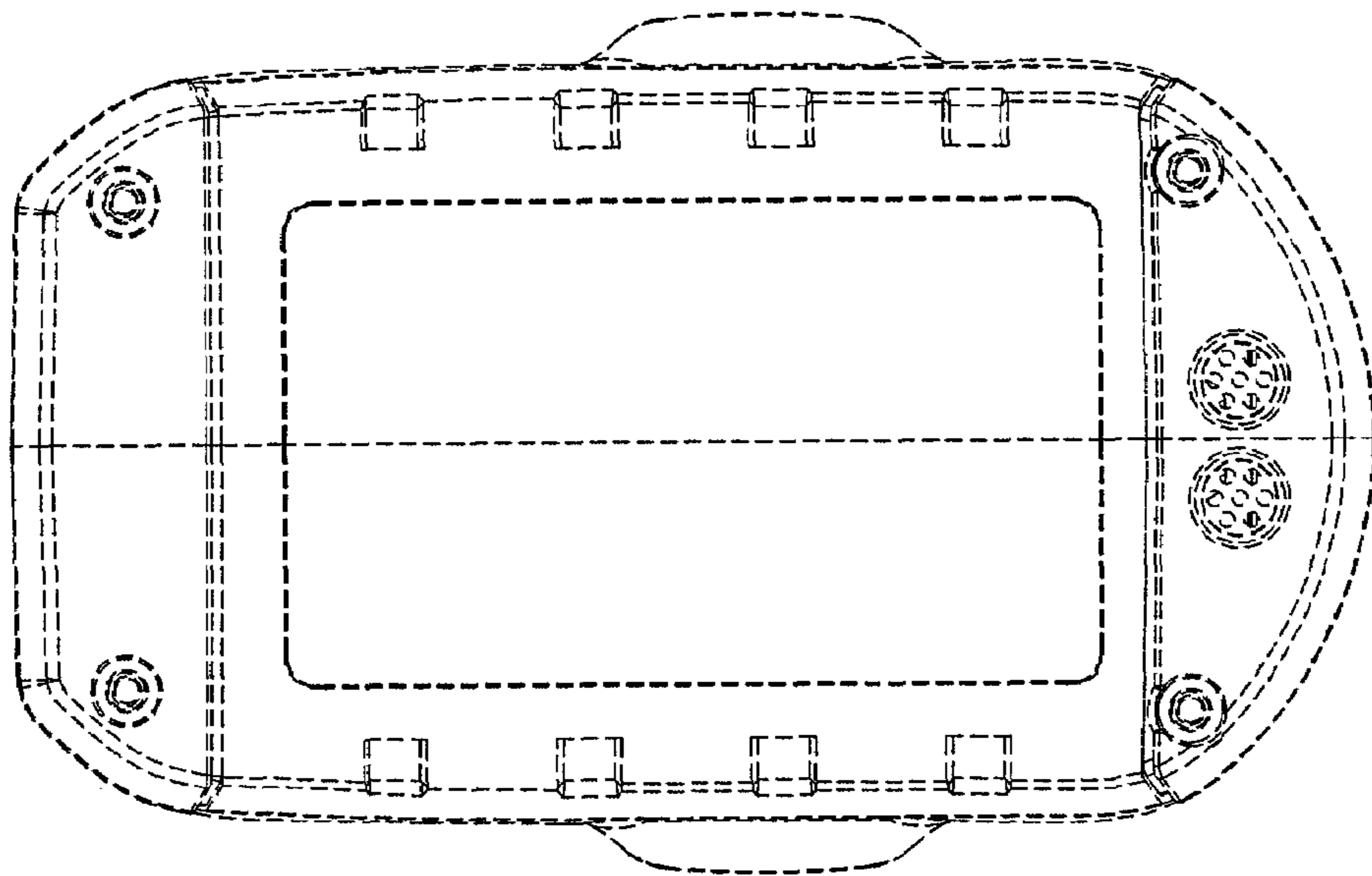


FIG. 7



UNITED STATES PATENT AND TRADEMARK OFFICE  
Certificate

Patent No. D. 579,868 S

Patented: November 4, 2008

On petition requesting issuance of a certificate for correction of inventorship pursuant to 35 U.S.C. 256, it has been found that the above identified patent, through error and without any deceptive intent, improperly sets forth the inventorship.

Accordingly, it is hereby certified that the correct inventorship of this patent is: David M. Smith, Simpsonville, SC (US).

Signed and Sealed this Eighteenth Day of September 2012.

PHILIP S. HYDER  
*Supervisory Patent Examiner*  
Art Unit 2917  
Technology Center 2900