



US00D579867S

(12) **United States Design Patent**
Behr et al.

(10) **Patent No.:** **US D579,867 S**
(45) **Date of Patent:** **** Nov. 4, 2008**

(54) **TIRE**

(75) Inventors: **Ulrich Behr**, Hannover (DE); **Peter Bogenschuetz**, Wedemark (DE); **Stefan Rittweger**, Hannover (DE)

(73) Assignee: **Continental AG**, Hannover (DE)

(**) Term: **14 Years**

(21) Appl. No.: **29/287,497**

(22) Filed: **Aug. 15, 2007**

(30) **Foreign Application Priority Data**

Feb. 16, 2007 (EM) 000671292

(51) **LOC (8) Cl.** **12-15**

(52) **U.S. Cl.** **D12/605**

(58) **Field of Classification Search** D12/500-501,
D12/544, 579, 600, 605; 152/523-524, DIG. 12,
152/555

See application file for complete search history.

(56) **References Cited**

U.S. PATENT DOCUMENTS

D543,499 S * 5/2007 Shondel D12/605

D550,150 S * 9/2007 Shondel et al. D12/605
D552,535 S * 10/2007 Smith D12/605
D565,502 S * 4/2008 Miyazaki D12/605
D569,337 S * 5/2008 Iwabuchi D12/605

* cited by examiner

Primary Examiner—Stacia Cadmus

Assistant Examiner—J. Scott

(74) *Attorney, Agent, or Firm*—Greenblum & Bernstein, P.L.C.

(57) **CLAIM**

I claim the ornamental design for a tire, as shown and described.

DESCRIPTION

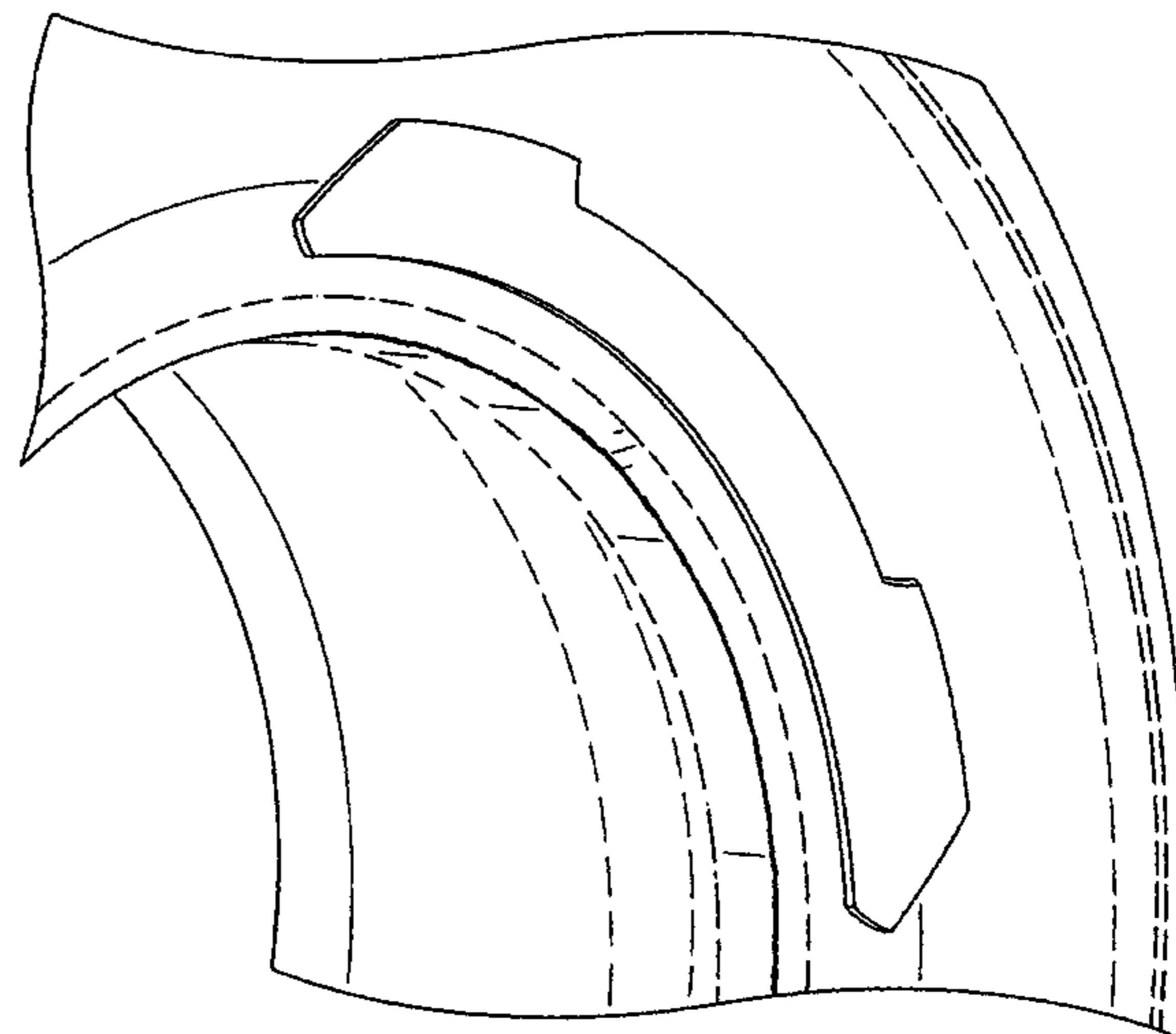
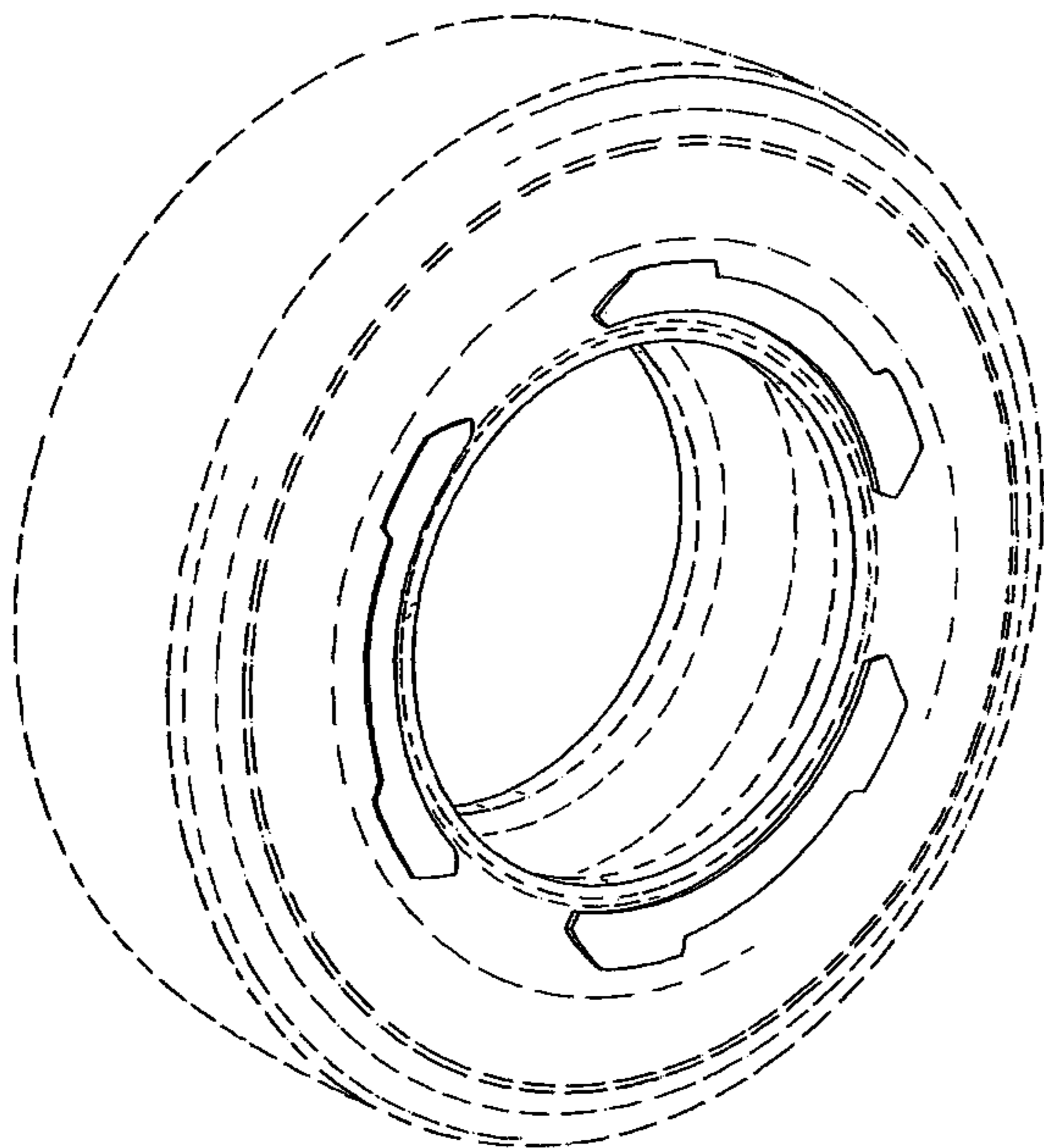
FIG. 1 is a front perspective view of tire according to an embodiment of the design;

FIG. 2 is a front view of the tire depicted in FIG. 1; and,

FIG. 3 is an enlarged partial front perspective view of the tire depicted in FIG. 1.

Any surfaces of the design not shown, including interior surfaces, and/or features shown in broken lines form no part of the claimed invention.

1 Claim, 3 Drawing Sheets



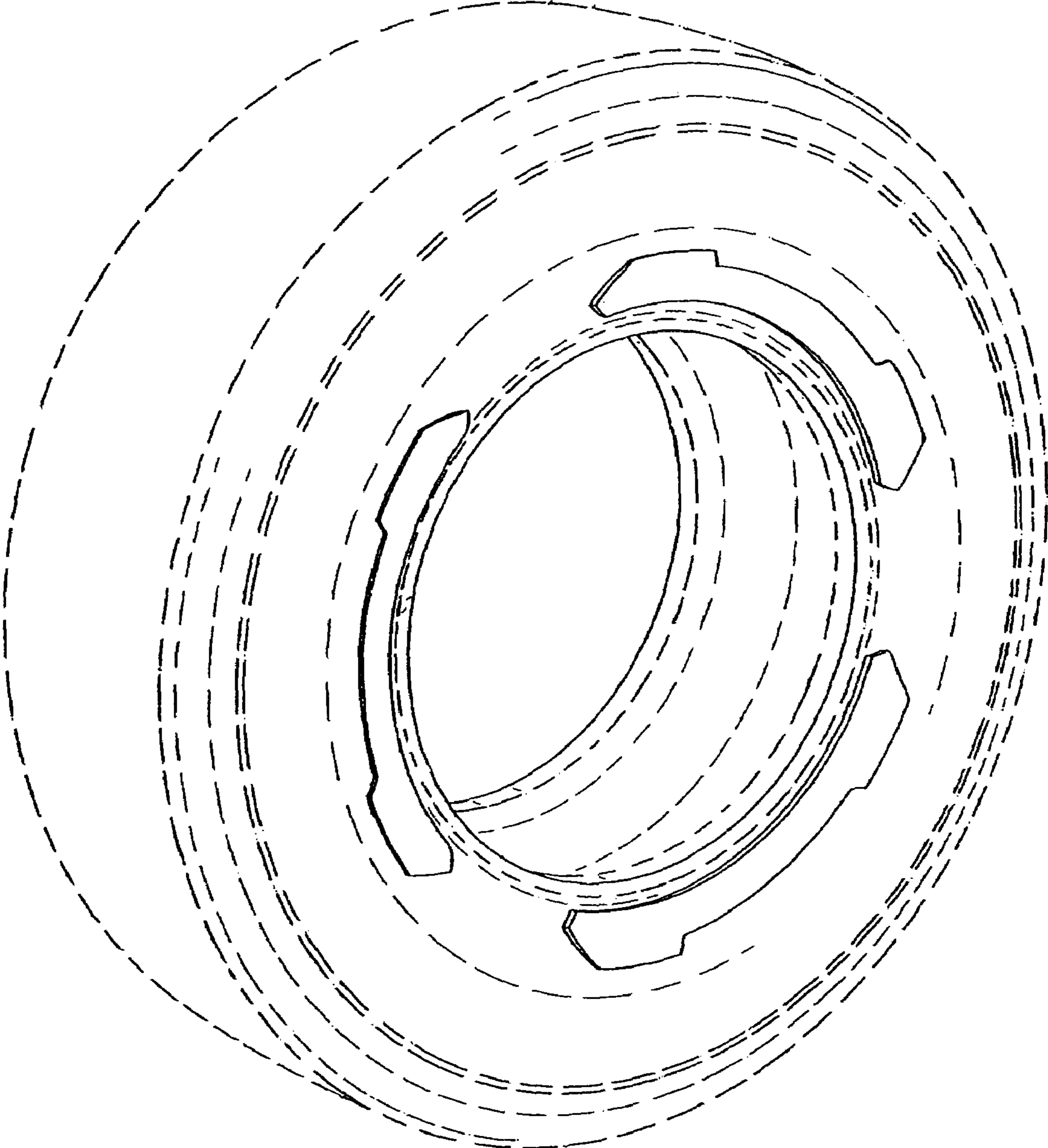


FIG. 1

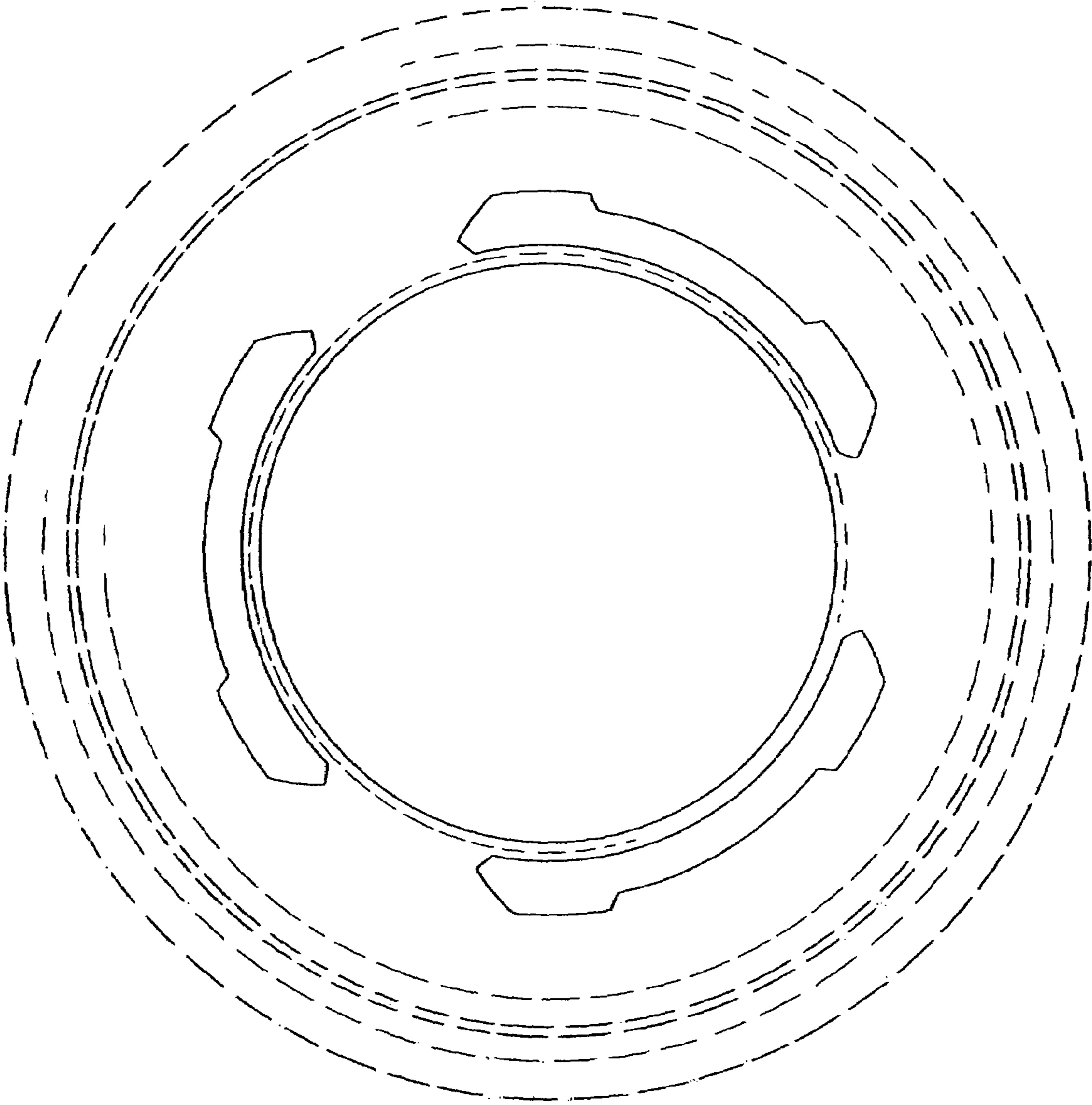


FIG. 2

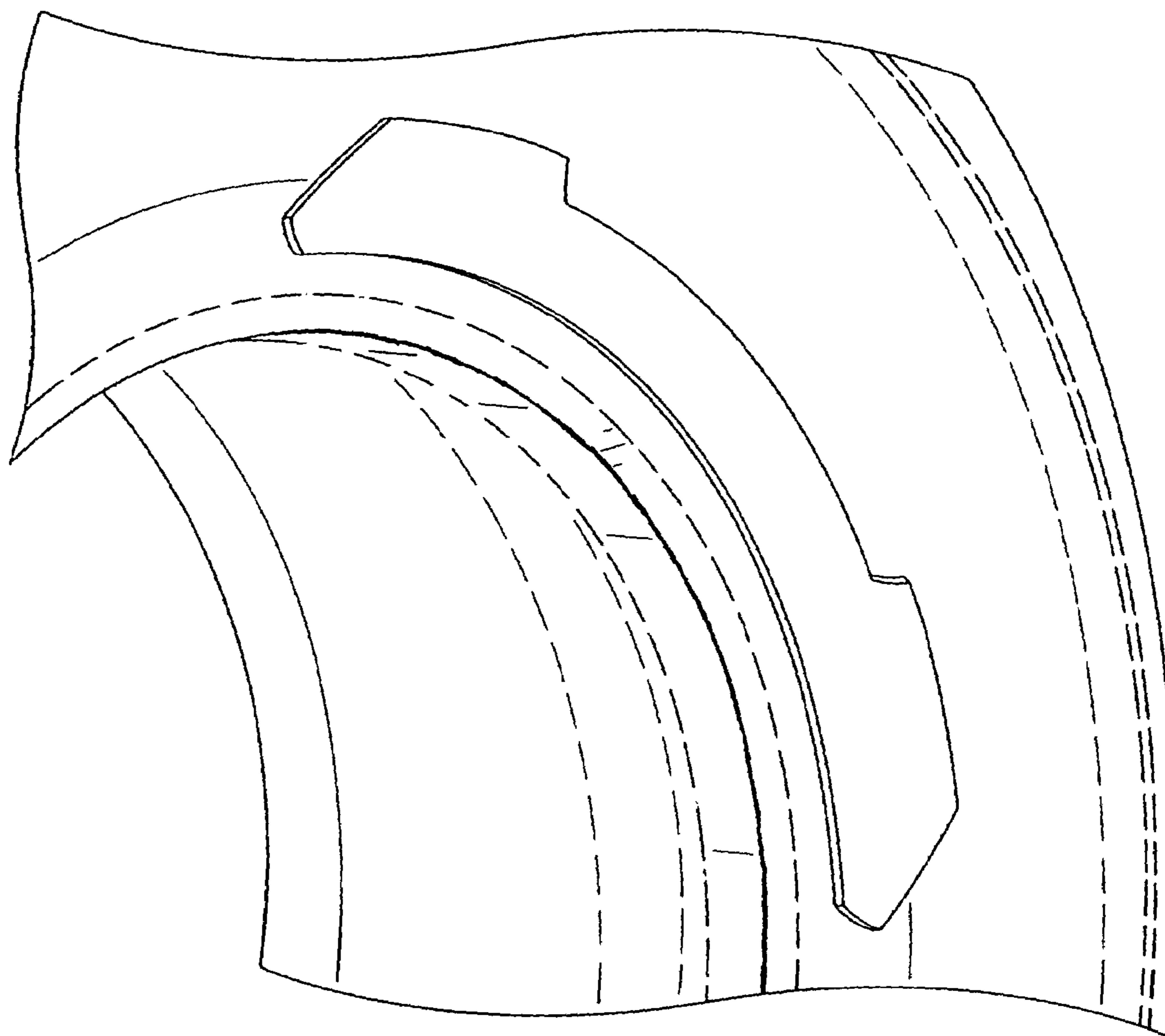


FIG. 3