



US00D579855S

(12) **United States Design Patent**
Fontaine et al.

(10) **Patent No.:** **US D579,855 S**
(45) **Date of Patent:** **** Nov. 4, 2008**

(54) **TIRE**
(75) Inventors: **Sebastien Willy Fontaine**, Burden (LU);
Jerome Marcel Germain Delu,
Walferdange (LU); **Gilles Bonnet**,
Niederfeulen (LU); **Michel Marguerite**
Walther Ghislain Constant, Bastogne
(BE)

(73) Assignee: **The Goodyear Tire & Rubber**
Company, Akron, OH (US)

(**) Term: **14 Years**

(21) Appl. No.: **29/303,227**

(22) Filed: **Feb. 4, 2008**

(51) **LOC (8) Cl.** **12-15**
(52) **U.S. Cl.** **D12/521**
(58) **Field of Classification Search** D12/505-509,
D12/515-524, 526-532; 152/209.1, 209.8-209.13,
152/209.25, 209.28, 455
See application file for complete search history.

(56) **References Cited**

U.S. PATENT DOCUMENTS

D432,956 S	*	10/2000	Ricquet	D12/521
D432,957 S	*	10/2000	Ricquet	D12/521
D490,045 S		5/2004	Delu et al.	D12/519
D490,046 S	*	5/2004	Fukunaga	D12/521
D490,047 S		5/2004	Heinen et al.	D12/524
D490,048 S		5/2004	Heinen et al.	D12/524
D490,049 S		5/2004	Heinen et al.	D12/524
D502,441 S	*	3/2005	Lo	D12/521
D512,013 S		11/2005	Delu et al.	D12/521
D515,021 S		2/2006	Delu et al.	D12/524
D522,442 S		6/2006	Shirouzu	D12/515
D524,231 S		7/2006	Marazzi et al.	D12/521
D524,232 S		7/2006	Heinen et al.	D12/521
D524,233 S		7/2006	Marazzi et al.	D12/521
D524,235 S		7/2006	Marazzi et al.	D12/523

D524,236 S		7/2006	Marazzi et al.	D12/524
D525,186 S	*	7/2006	Martin	D12/521
D531,108 S		10/2006	Marazzi et al.	D12/523
D533,133 S		12/2006	Heinen et al.	D12/590
D545,756 S	*	7/2007	Feider et al.	D12/521
D551,156 S	*	9/2007	Shinohara et al.	D12/521
D558,128 S	*	12/2007	Delu et al.	D12/521
D560,595 S	*	1/2008	Bindner et al.	D12/521

* cited by examiner

Primary Examiner—Stacia Cadmus

(74) *Attorney, Agent, or Firm*—Richard B. O’Planick

(57) **CLAIM**

The ornamental design for a tire, as shown and described.

DESCRIPTION

FIG. 1 is a perspective view of a tire showing our new design, it being understood that the pattern repeats uniformly throughout the circumference of the tread;

FIG. 2 is a front elevational view thereof;

FIG. 3 is a right side elevational view thereof;

FIG. 4 is a left side elevational view thereof;

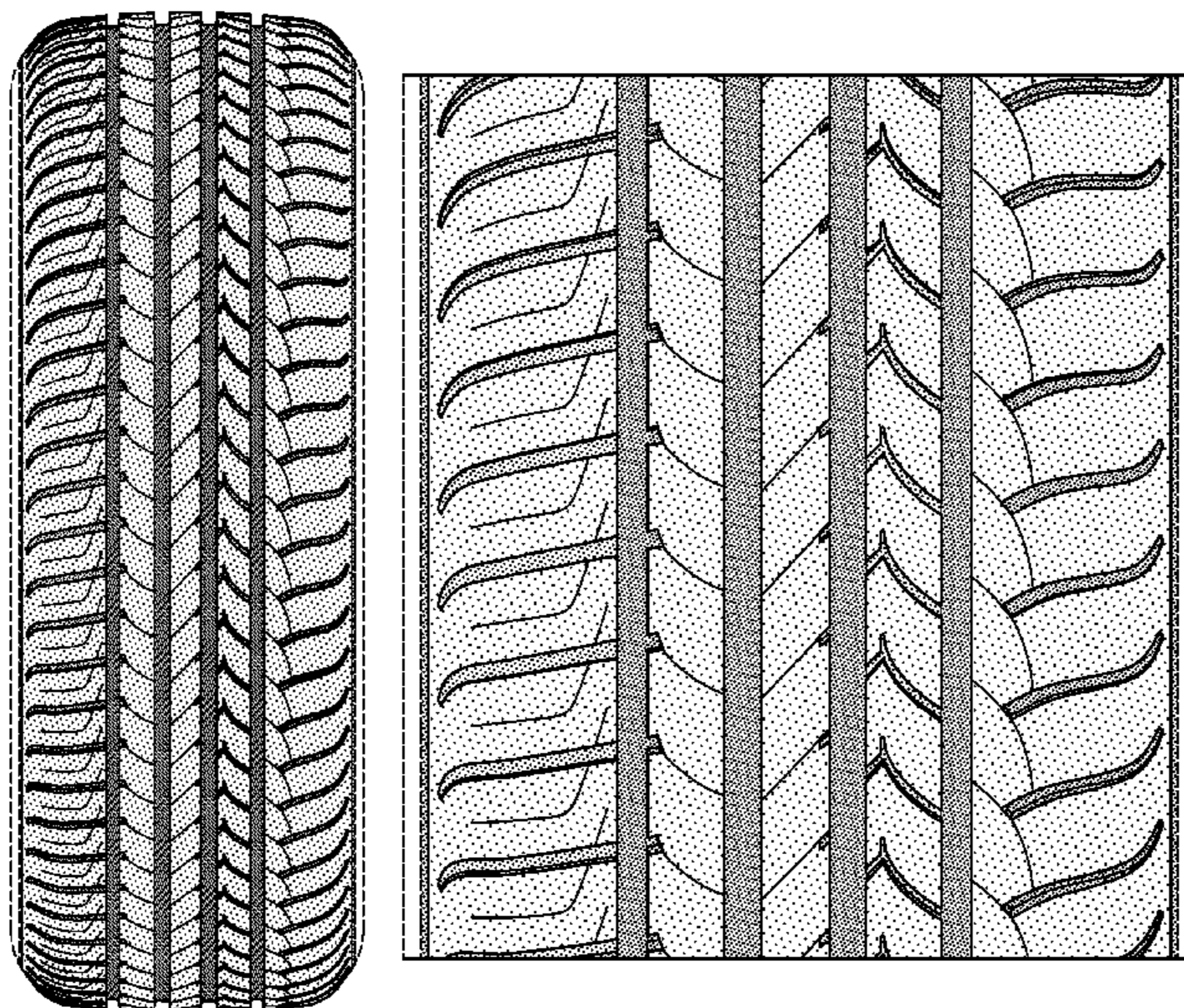
FIG. 5 is an enlarged fragmentary front elevational view thereof;

FIG. 6 is a perspective view of a second embodiment of a tire showing our new design, it being understood that the pattern repeats uniformly throughout the circumference of the tread; and,

FIG. 7 is a front elevational view of a second embodiment, it being understood that an enlarged fragmentary view thereof would be substantially identical to that shown in FIG. 4, with the exception of the inclusion of the sidewall in solid lines.

In the drawings the broken lines defining the sidewall, inner bead and the peripheral boundary between the tire tread and the sidewall in FIGS. 1 through 4 are for illustrative purposes only and form no part of the claimed design.

1 Claim, 7 Drawing Sheets



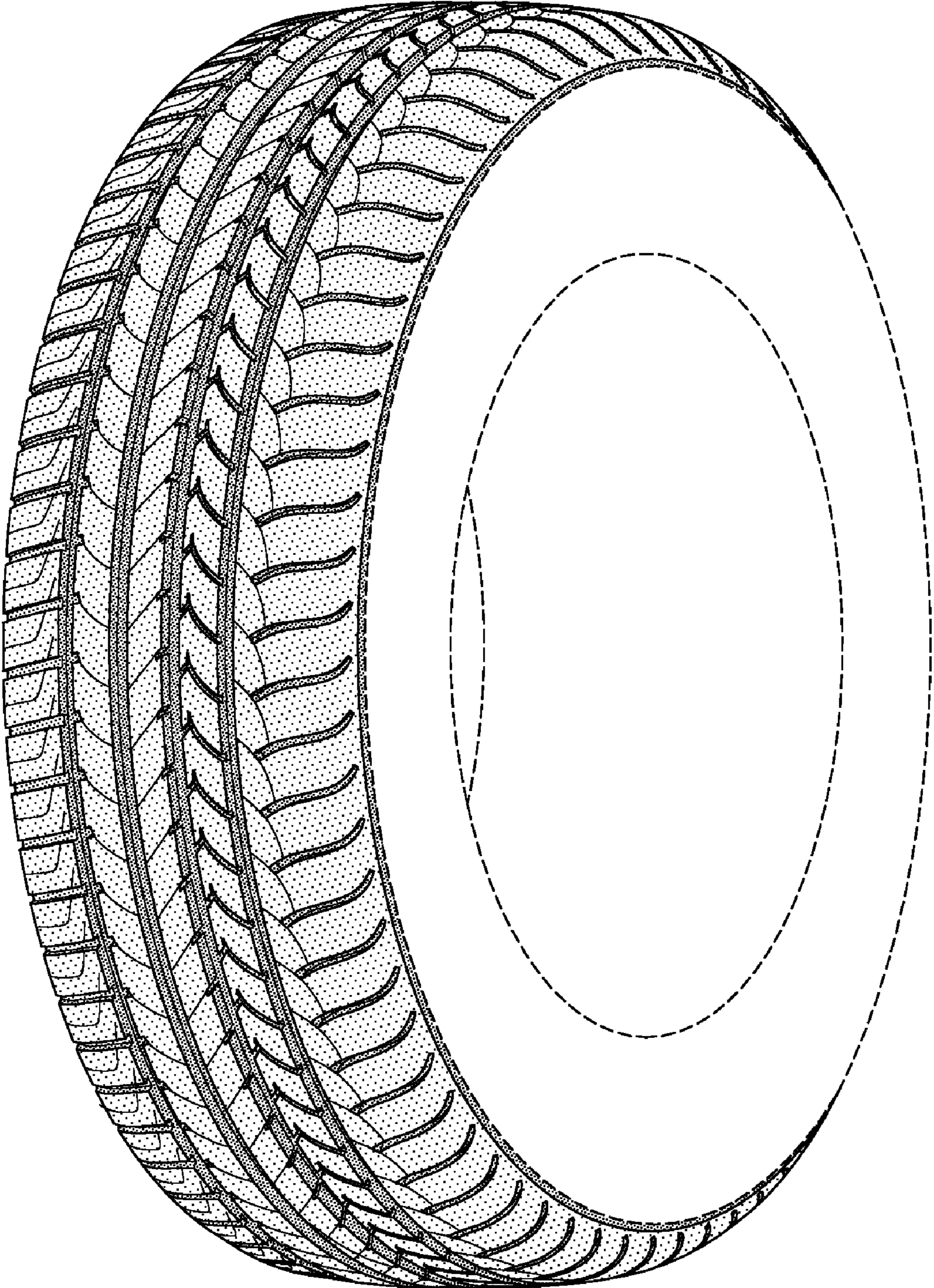


FIG-1

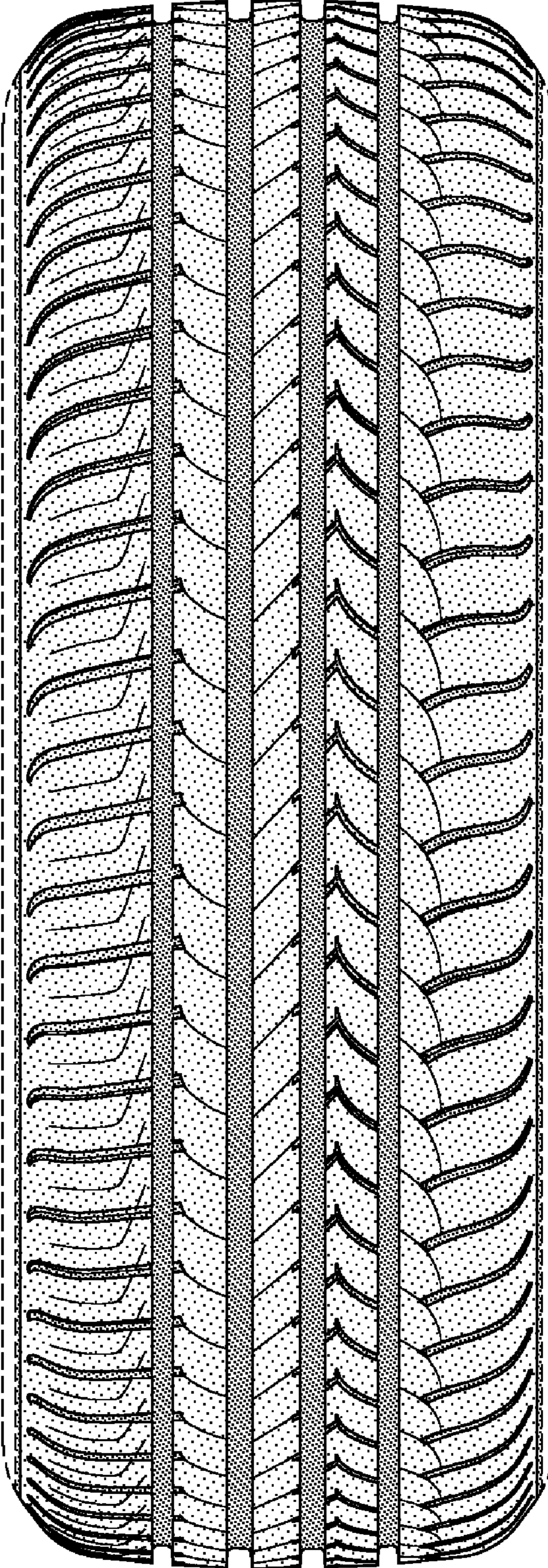


FIG-2

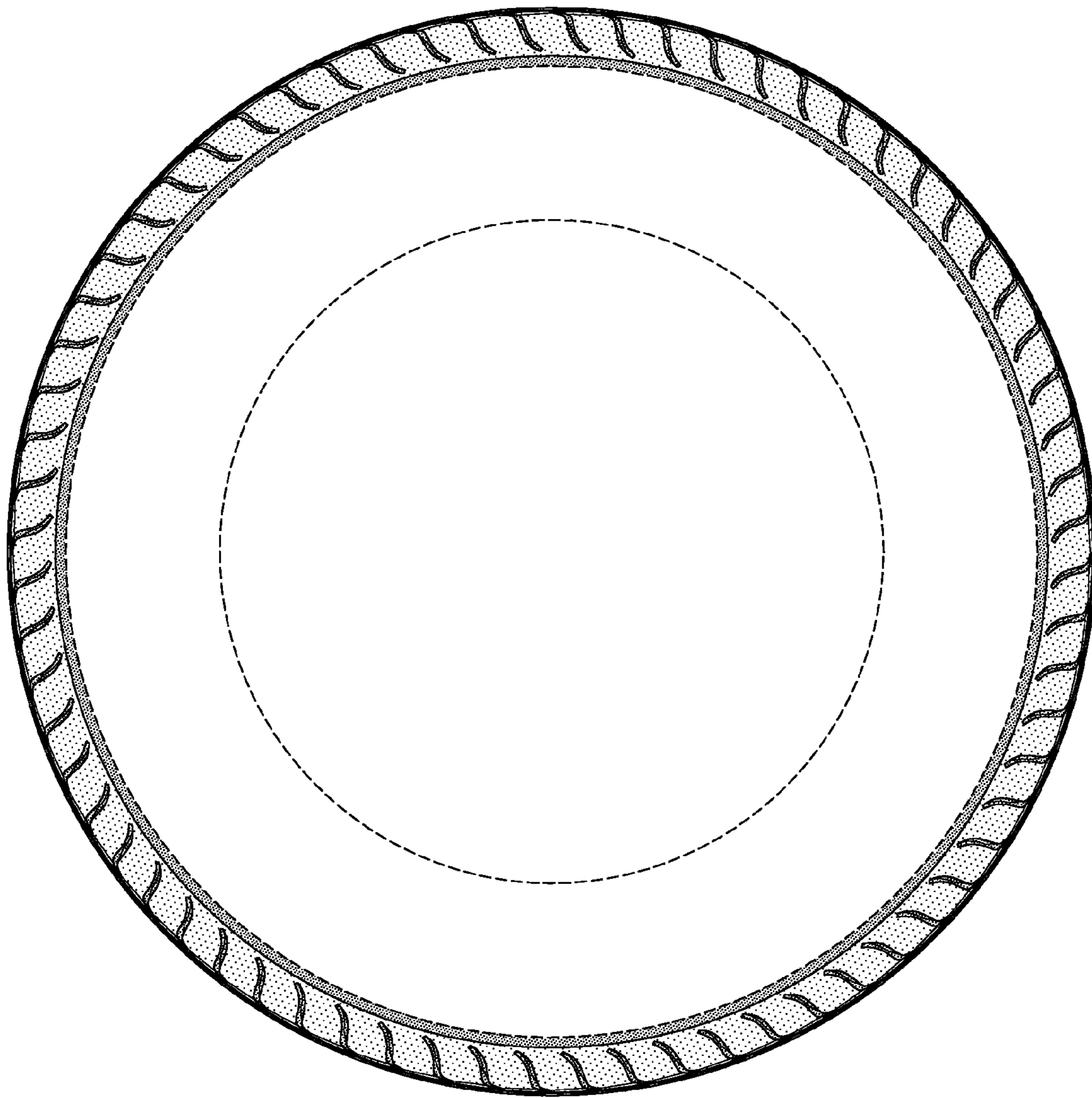


FIG-3

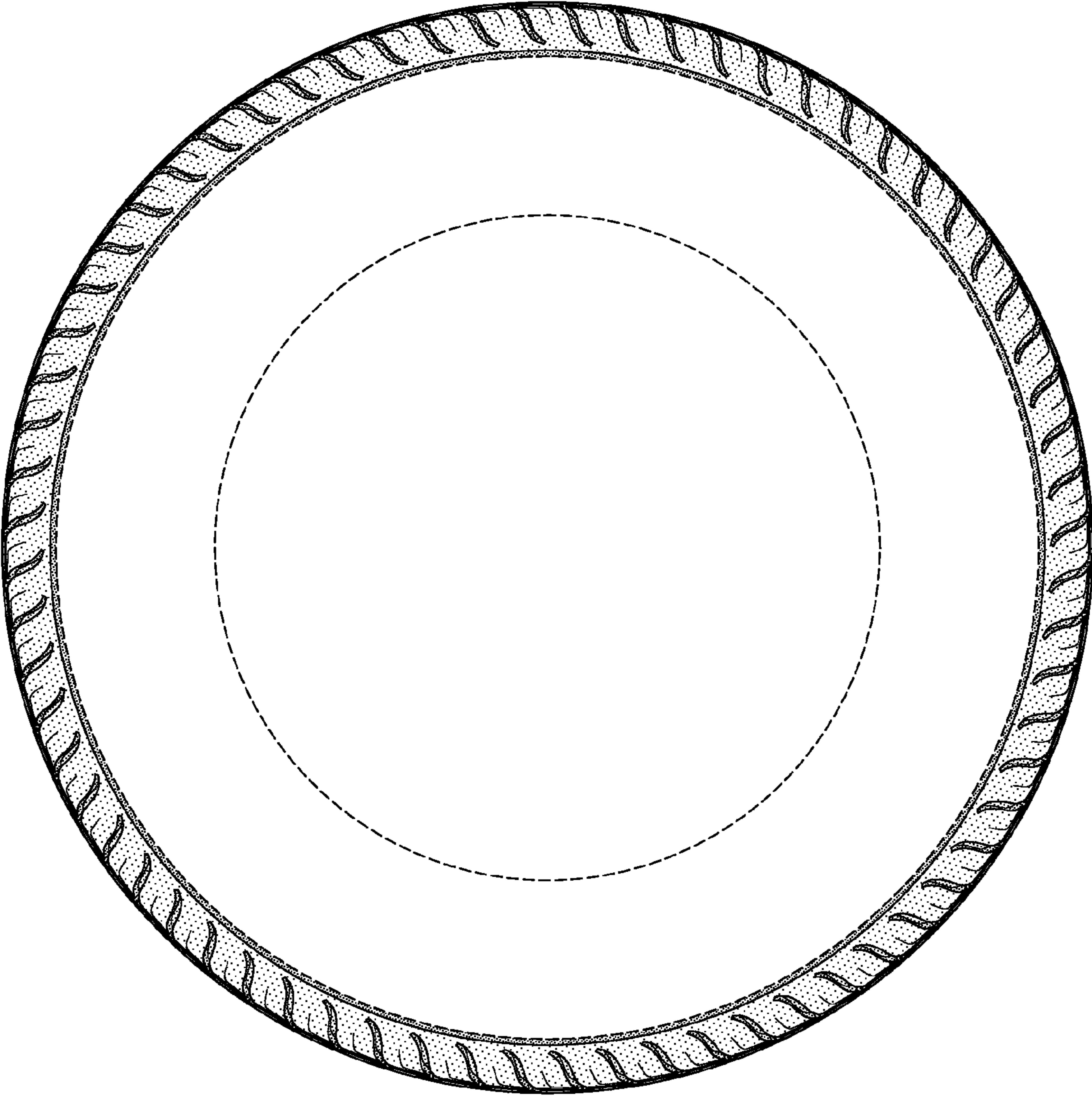


FIG-4

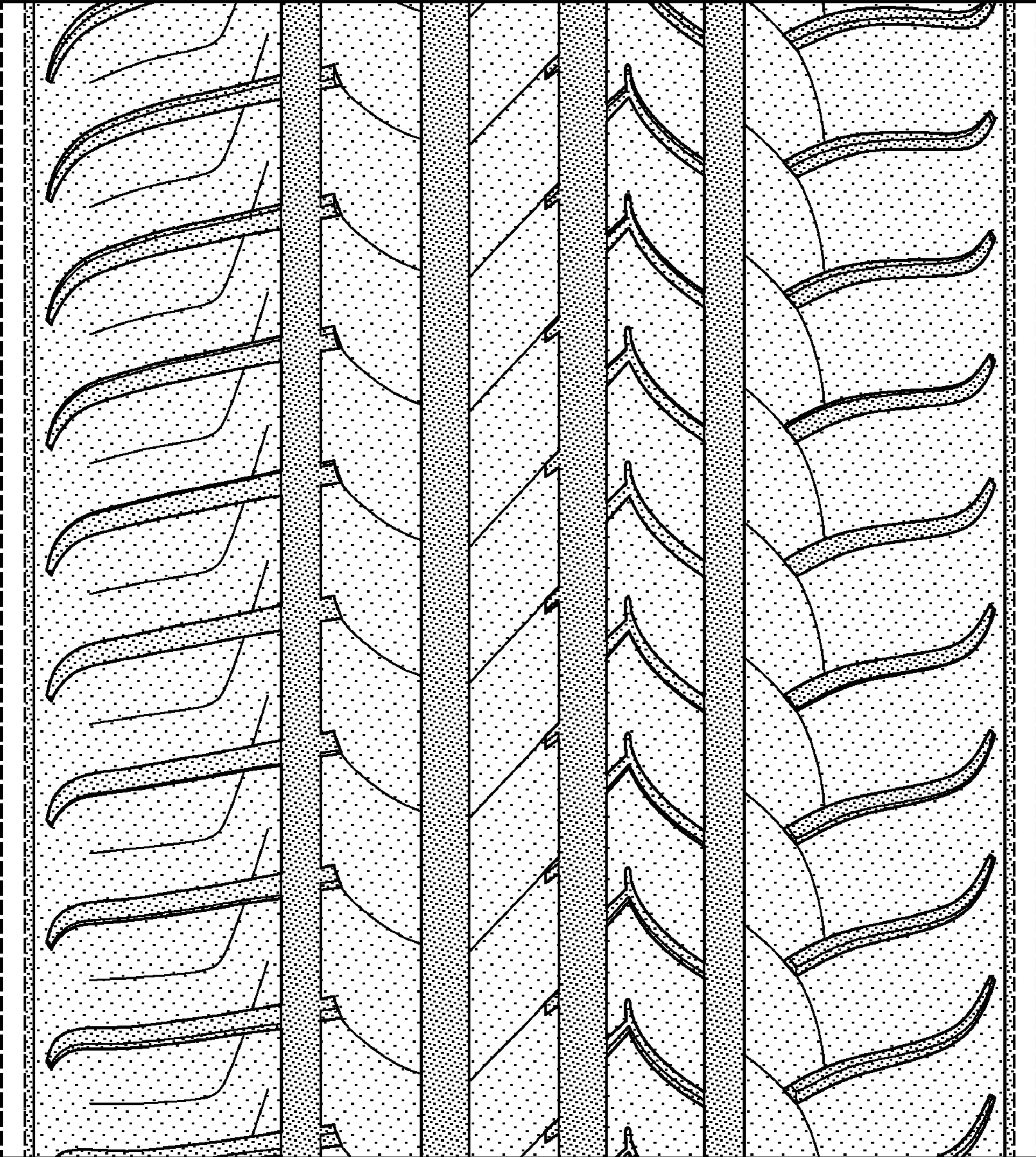


FIG-5

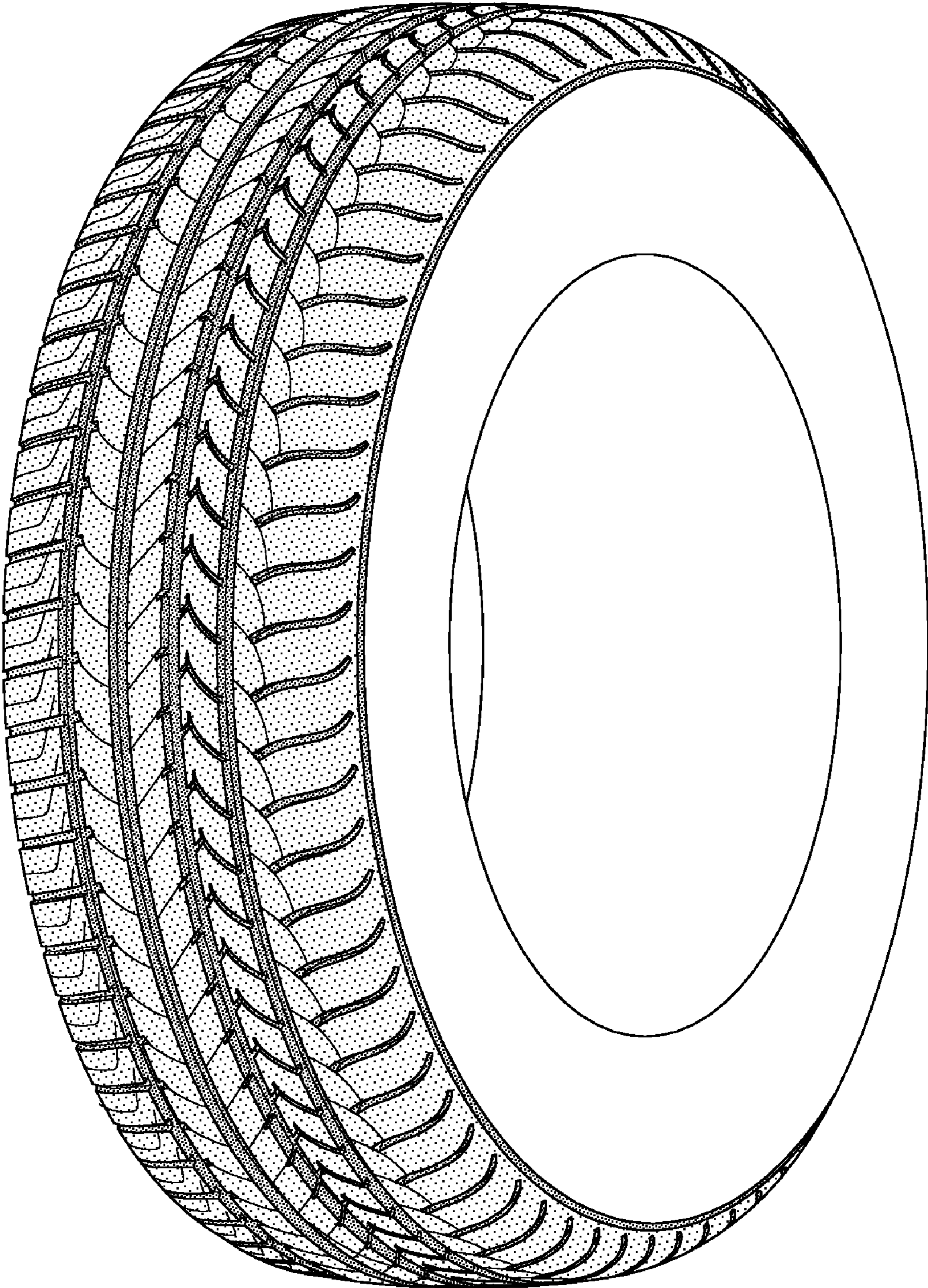


FIG-6

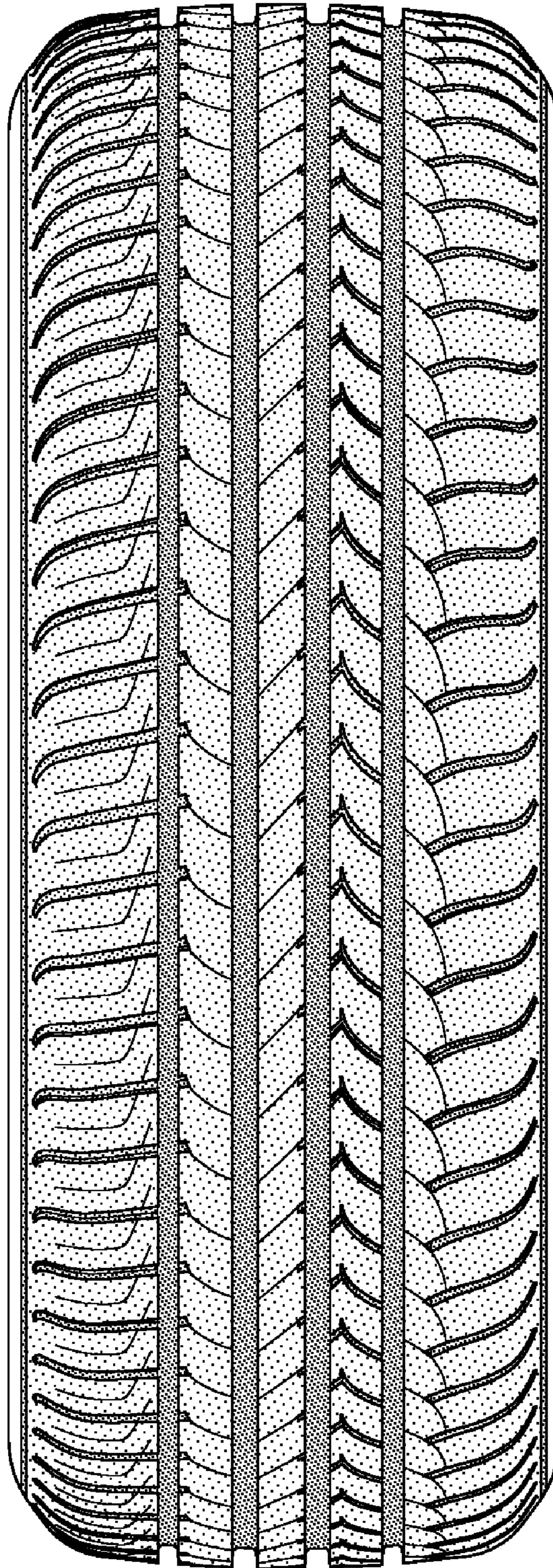


FIG-7