



US00D579849S

(12) **United States Design Patent**
Garrastacho et al.

(10) **Patent No.:** **US D579,849 S**
(45) **Date of Patent:** **** Nov. 4, 2008**

(54) **WINDSHIELD WIPER**

(75) Inventors: **Eddie Garrastacho**, Miami, FL (US);
Saied Hussaini, Miami, FL (US); **Marc Iacovelli**, Miami, FL (US)

(73) Assignee: **Rally Manufacturing, Inc.**, Miami, FL (US)

(**) Term: **14 Years**

(21) Appl. No.: **29/304,693**

(22) Filed: **Mar. 6, 2008**

(51) **LOC (8) Cl.** **12-06**

(52) **U.S. Cl.** **D12/219**

(58) **Field of Classification Search** D12/219-220;
15/246, 247, 250.001, 250.41, 250.4, 250.361,
15/250.19, 250.48, 250.03, 250.31-250.33,
15/250.351, 250.38, 250.201, 250.451-458,
15/250.04, 250.07, 250.44

See application file for complete search history.

(56) **References Cited**

U.S. PATENT DOCUMENTS

D380,435 S *	7/1997	Chen	D12/219
6,192,546 B1 *	2/2001	Kotlarski	15/250.43
6,295,690 B1 *	10/2001	Merkel et al.	15/250.201
6,523,218 B1 *	2/2003	Kotlarski	15/250.201
6,836,927 B2 *	1/2005	De Block et al.	15/250.43
6,978,512 B2 *	12/2005	Dietrich et al.	15/250.43
7,228,588 B2 *	6/2007	Kraemer et al.	15/250.201
2002/0000018 A1 *	1/2002	Kotlarski et al.	15/250.201
2002/0133894 A1 *	9/2002	Dietrich et al.	15/250.43
2007/0289082 A1 *	12/2007	Herinckx et al.	15/250.361

* cited by examiner

Primary Examiner—Robert M. Spear

Assistant Examiner—Katrina A Kile

(74) *Attorney, Agent, or Firm*—Berenato, White & Stavish

(57) **CLAIM**

The ornamental design for a windshield wiper, as shown and described.

DESCRIPTION

FIG. 1 is a front elevational perspective view of the windshield wiper of FIG. 1.

FIG. 2 is a front View of the windshield wiper according to the present invention.

FIG. 3 is a rear view of the windshield wiper of FIG. 1.

FIG. 4 is a left side view of the windshield wiper of FIG. 1.

FIG. 5 is a right side view of the windshield wiper of FIG. 1.

FIG. 6 is a top view of the windshield wiper of FIG. 1.

FIG. 7 is a bottom view of the windshield wiper of FIG. 1.

FIG. 8 is a section view taken along lines 8—8 of FIG. 2.

FIG. 9 is a section view taken along lines 9—9 of FIG. 2.

FIG. 10 is an isolated front View of the center frame portion of the windshield wiper of FIG. 1.

FIG. 11 is a rear view of the center frame portion of the windshield wiper of FIG. 1.

FIG. 12 is a left side view of the center frame portion of the windshield wiper of FIG. 1.

FIG. 13 is a right side view of the center frame portion of the windshield wiper of FIG. 1.

FIG. 14 is a top view of the center frame portion of the windshield wiper of FIG. 1; and,

FIG. 15 is a bottom view of the center frame portion of the windshield wiper of FIG. 1.

1 Claim, 4 Drawing Sheets

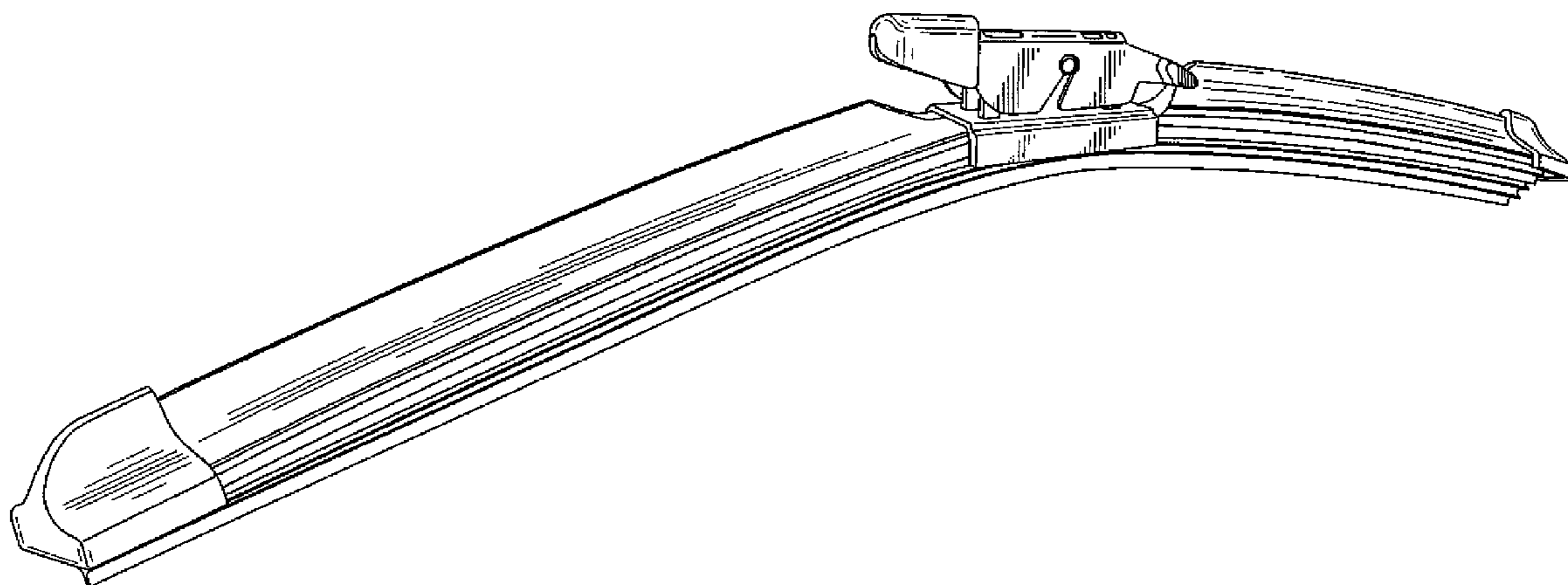


Fig. 1

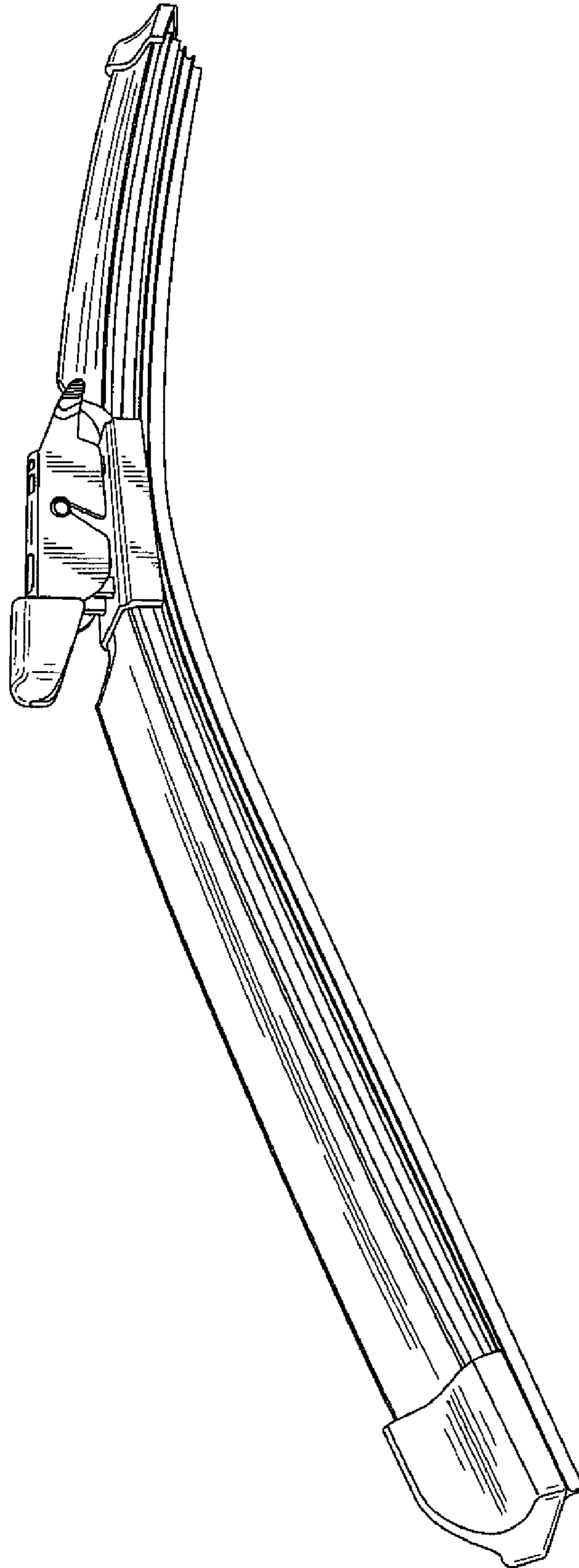


Fig. 2

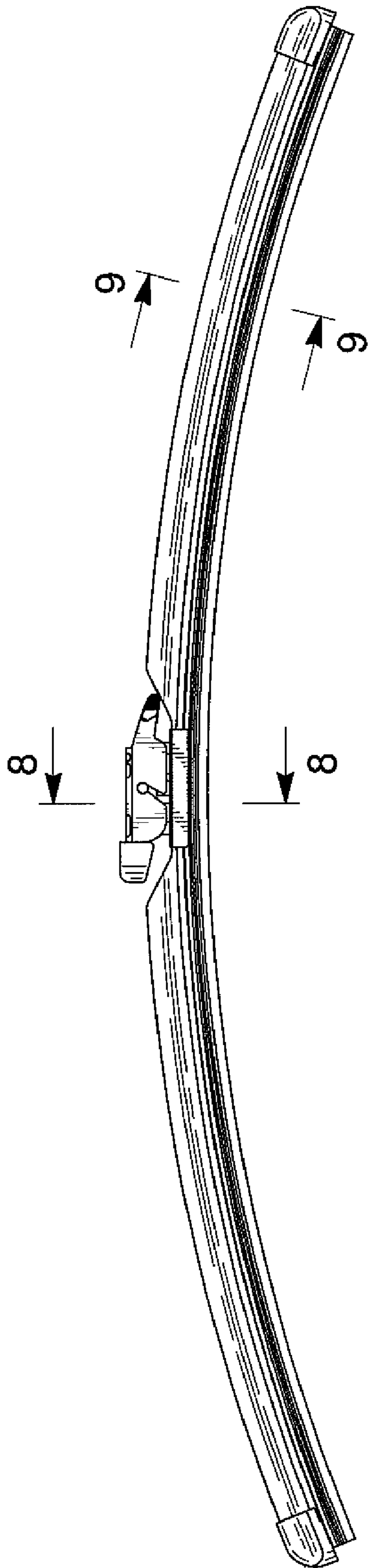


Fig. 3

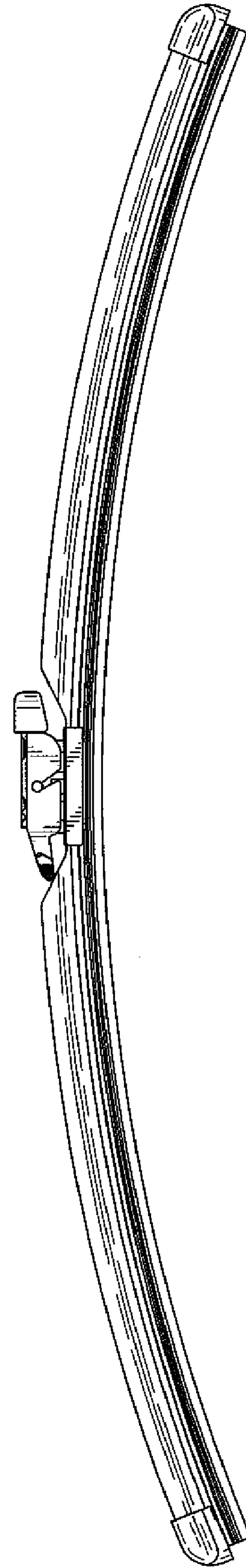


Fig. 4

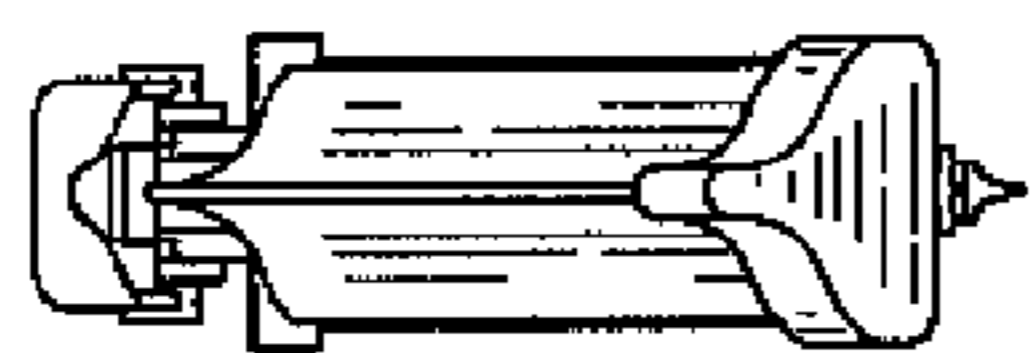


Fig. 5

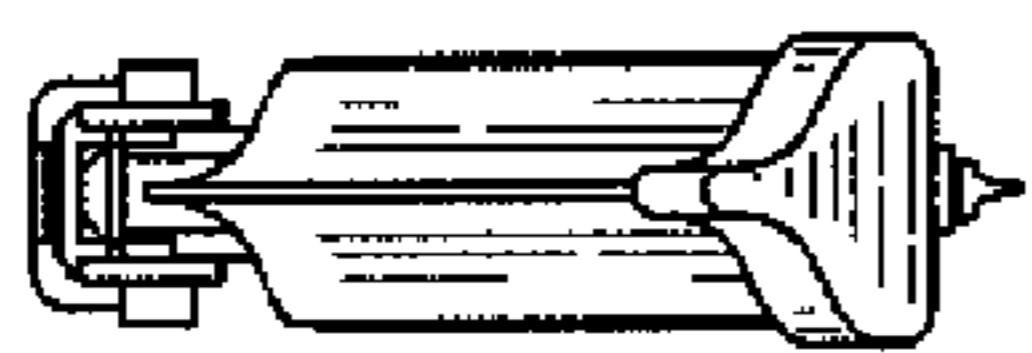


Fig. 6

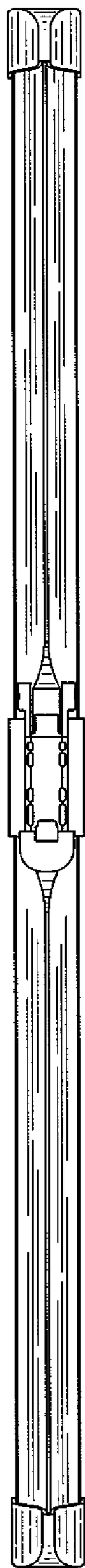


Fig. 7

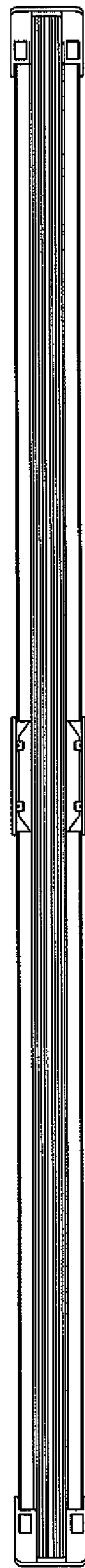


Fig. 8

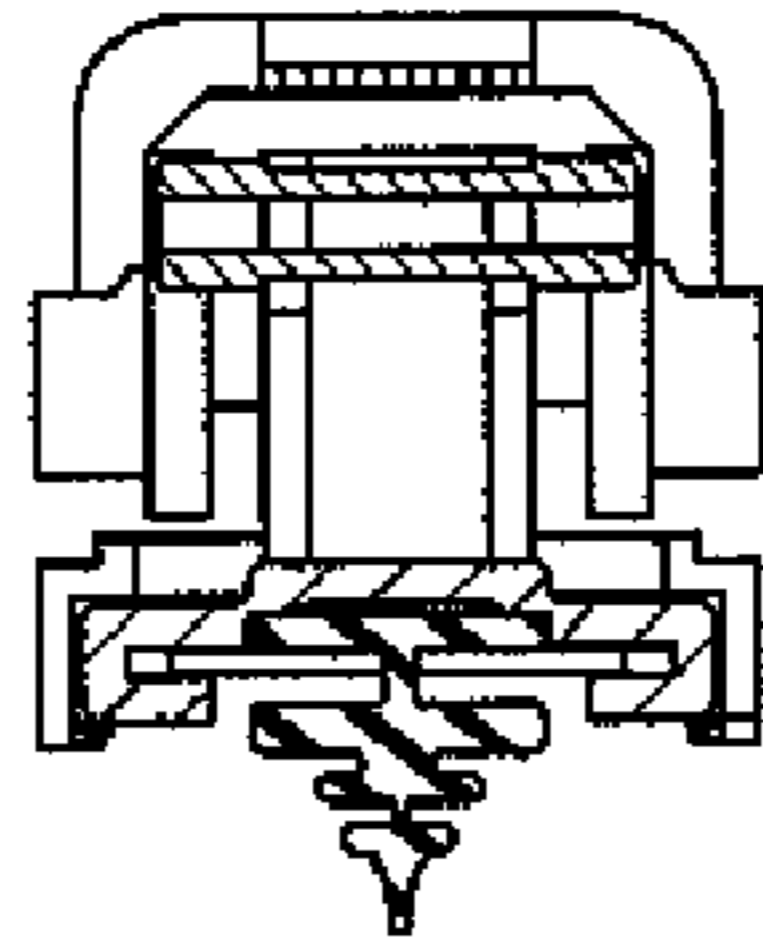


Fig. 9



Fig. 10



Fig. 11



Fig. 12

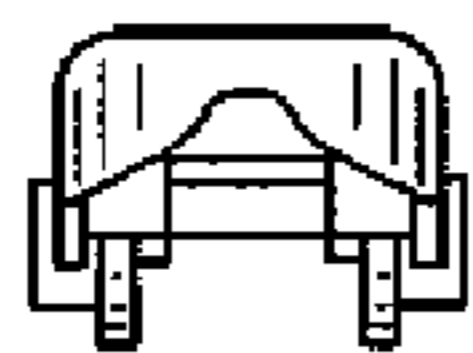


Fig. 13

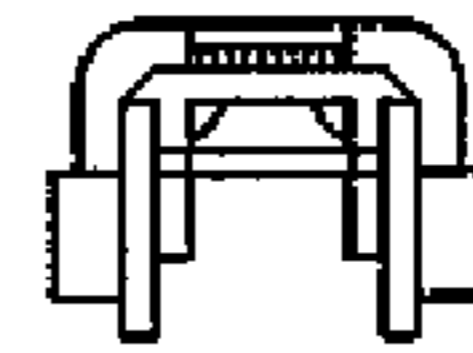


Fig. 14

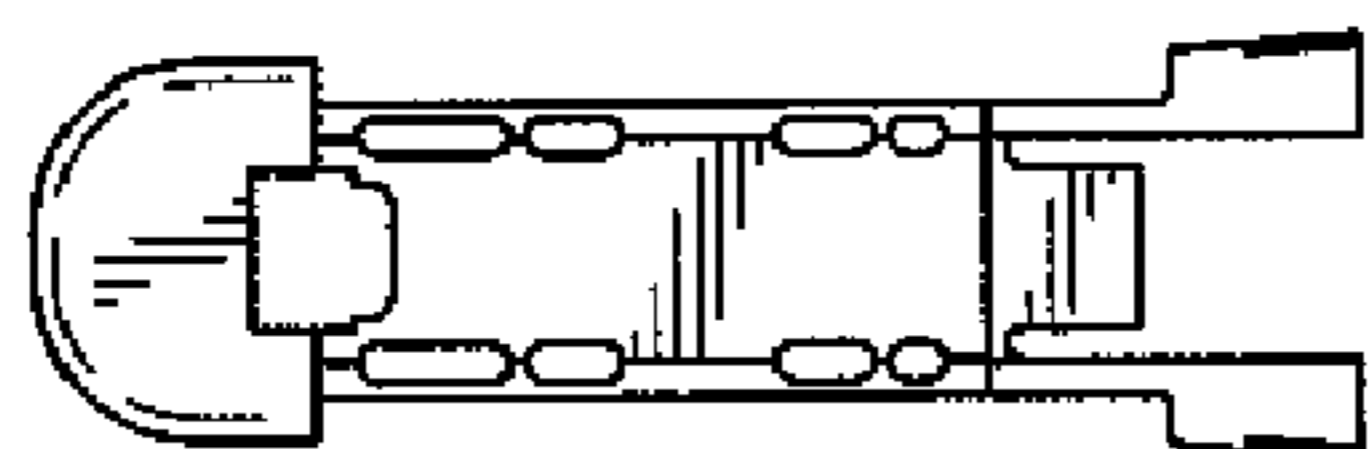


Fig. 15

