



US00D579847S

(12) **United States Design Patent**  
**Hieke**

(10) **Patent No.:** **US D579,847 S**  
(45) **Date of Patent:** **\*\* Nov. 4, 2008**

(54) **FRONT FACE OF A VEHICLE WHEEL**

(75) Inventor: **Claus Hieke**, Sindelfingen (DE)

(73) Assignee: **Daimler AG**, Stuttgart (DE)

(\*\*) Term: **14 Years**

(21) Appl. No.: **29/287,594**

(22) Filed: **Aug. 27, 2007**

(30) **Foreign Application Priority Data**

Feb. 28, 2007 (EM) ..... 000677760-0001

(51) **LOC (8) Cl.** ..... **12-16**

(52) **U.S. Cl.** ..... **D12/211**

(58) **Field of Classification Search** ..... D12/204-213;  
301/37.101, 64.101, 65, 64.201  
See application file for complete search history.

(56) **References Cited**

**U.S. PATENT DOCUMENTS**

|              |         |                 |       |         |
|--------------|---------|-----------------|-------|---------|
| D392,237 S * | 3/1998  | Kelley          | ..... | D12/209 |
| D410,618 S * | 6/1999  | Hussaini et al. | ..... | D12/211 |
| D480,676 S * | 10/2003 | Bhambra         | ..... | D12/211 |
| D481,664 S * | 11/2003 | Vian            | ..... | D12/211 |
| D486,110 S * | 2/2004  | Elmitt          | ..... | D12/211 |
| D496,623 S * | 9/2004  | Elmitt          | ..... | D12/211 |

|              |        |         |       |         |
|--------------|--------|---------|-------|---------|
| D507,225 S * | 7/2005 | Velazco | ..... | D12/211 |
| D522,431 S * | 6/2006 | Hieke   | ..... | D12/209 |
| D522,947 S * | 6/2006 | Hieke   | ..... | D12/209 |
| D535,934 S * | 1/2007 | Scheu   | ..... | D12/211 |
| D537,027 S * | 2/2007 | Hieke   | ..... | D12/211 |
| D546,266 S * | 7/2007 | Young   | ..... | D12/211 |
| D567,739 S * | 4/2008 | Kim     | ..... | D12/211 |

\* cited by examiner

*Primary Examiner*—Stacia Cadmus

(74) *Attorney, Agent, or Firm*—Crowell & Moring LLP

(57) **CLAIM**

The ornamental design for a front face of a vehicle wheel, as shown and described.

**DESCRIPTION**

FIG. 1 is a front view of a first embodiment of a front face of a vehicle wheel according to my novel design; and

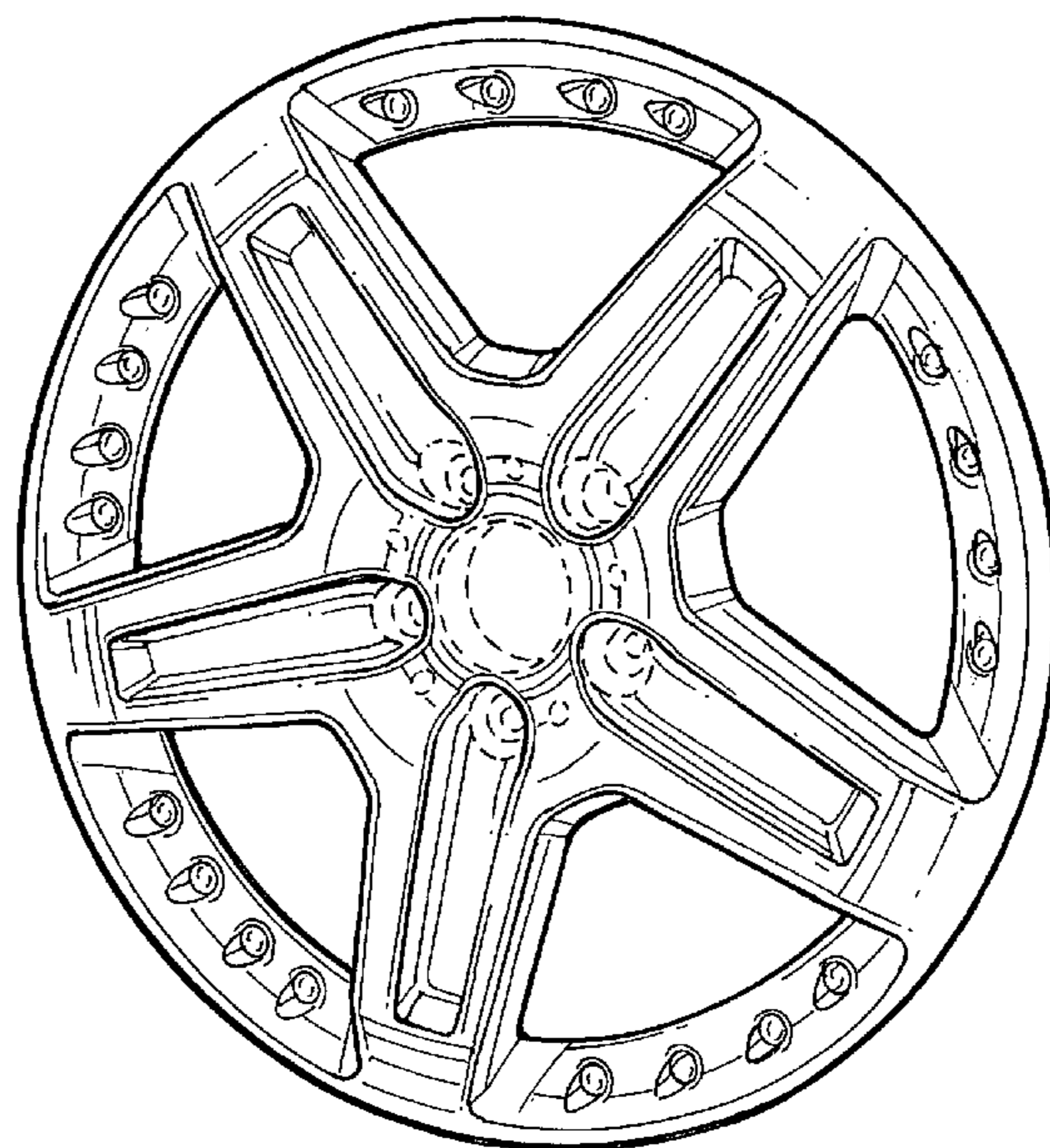
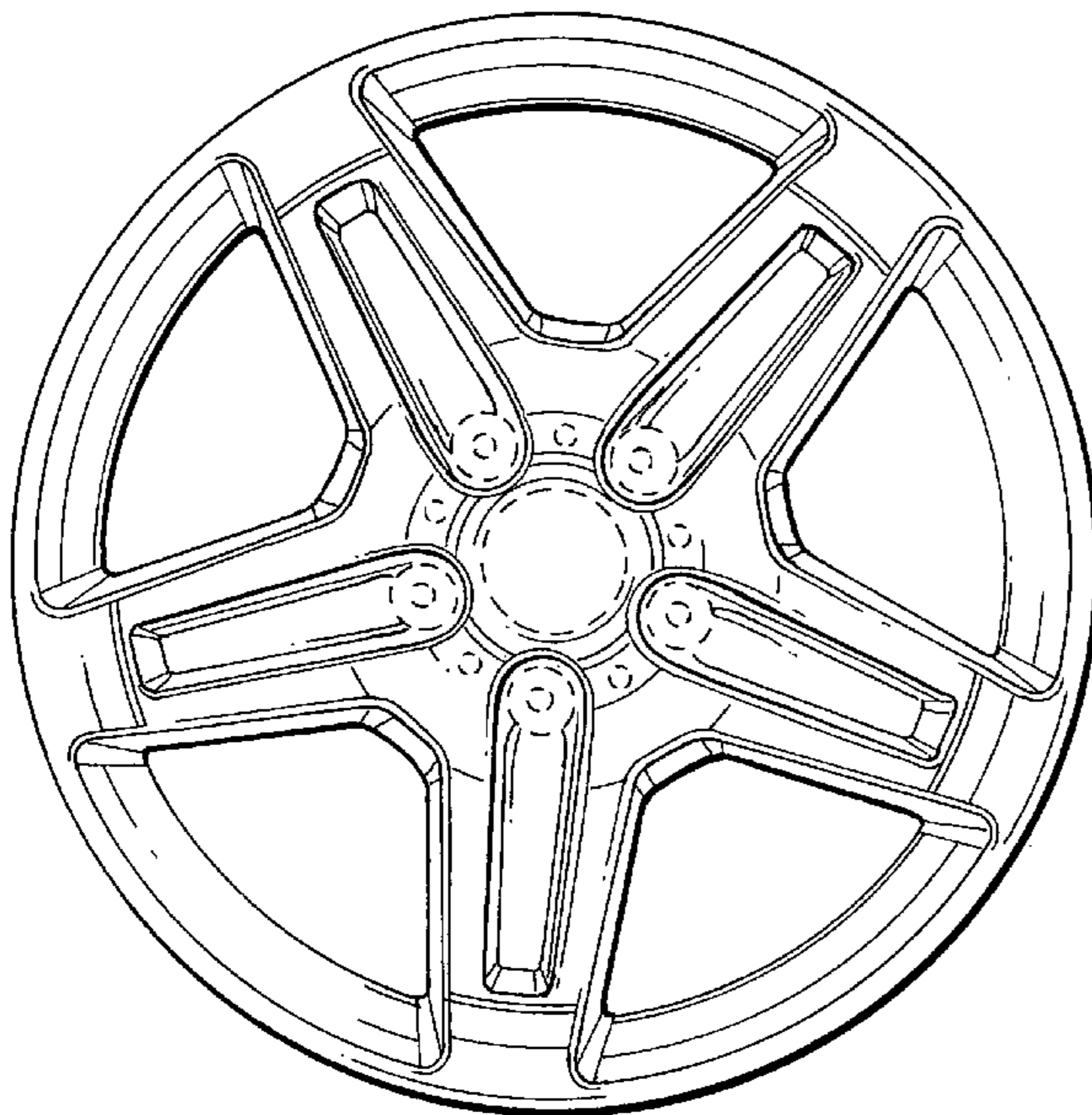
FIG. 2 is a perspective view thereof.

FIG. 3 is a front view of a second embodiment of the front face of a vehicle wheel according to my novel design; and,

FIG. 4 is a perspective view thereof.

The broken lines are for illustrative purposes only and form no part of the claimed design.

**1 Claim, 2 Drawing Sheets**



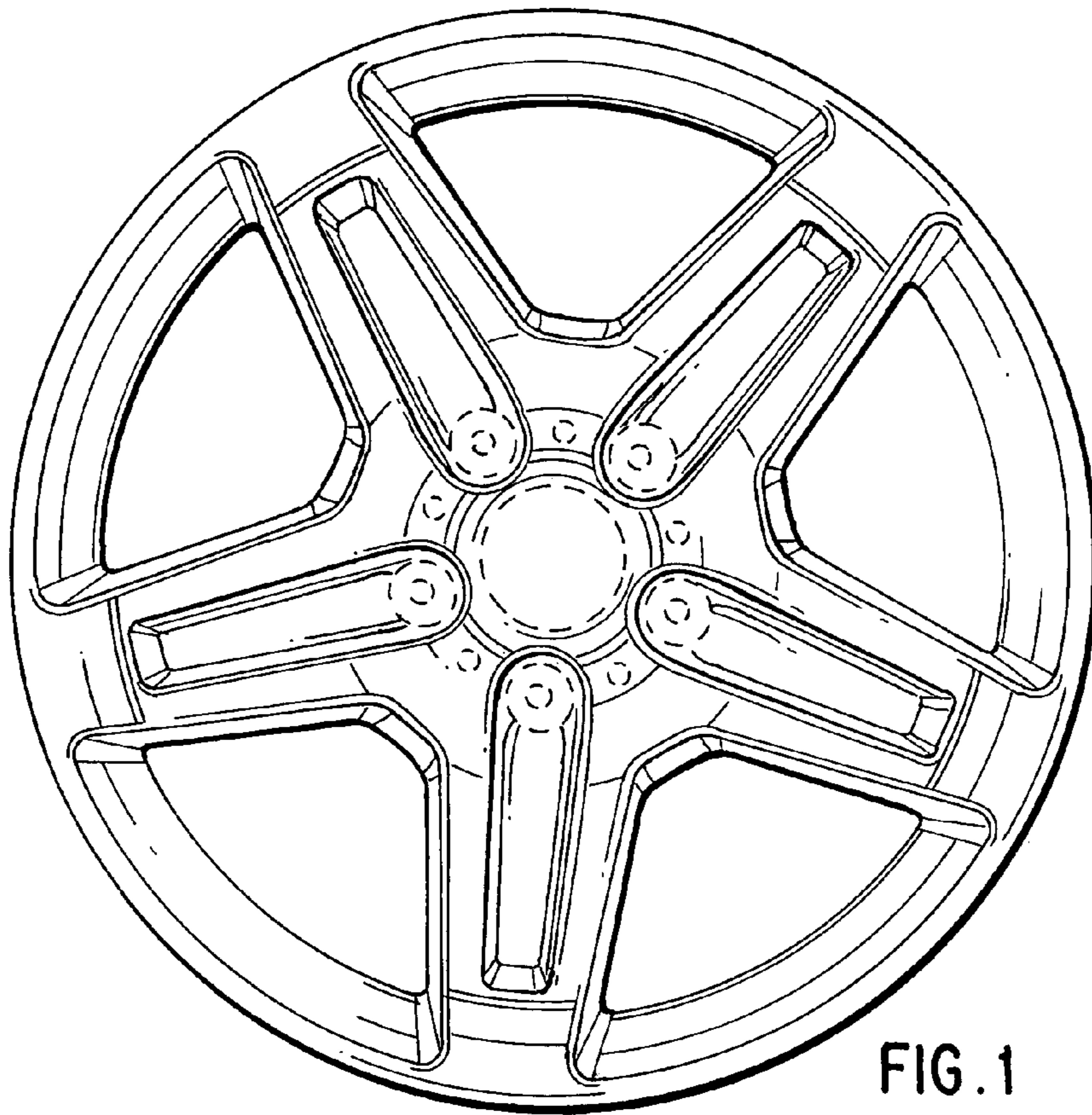


FIG. 1

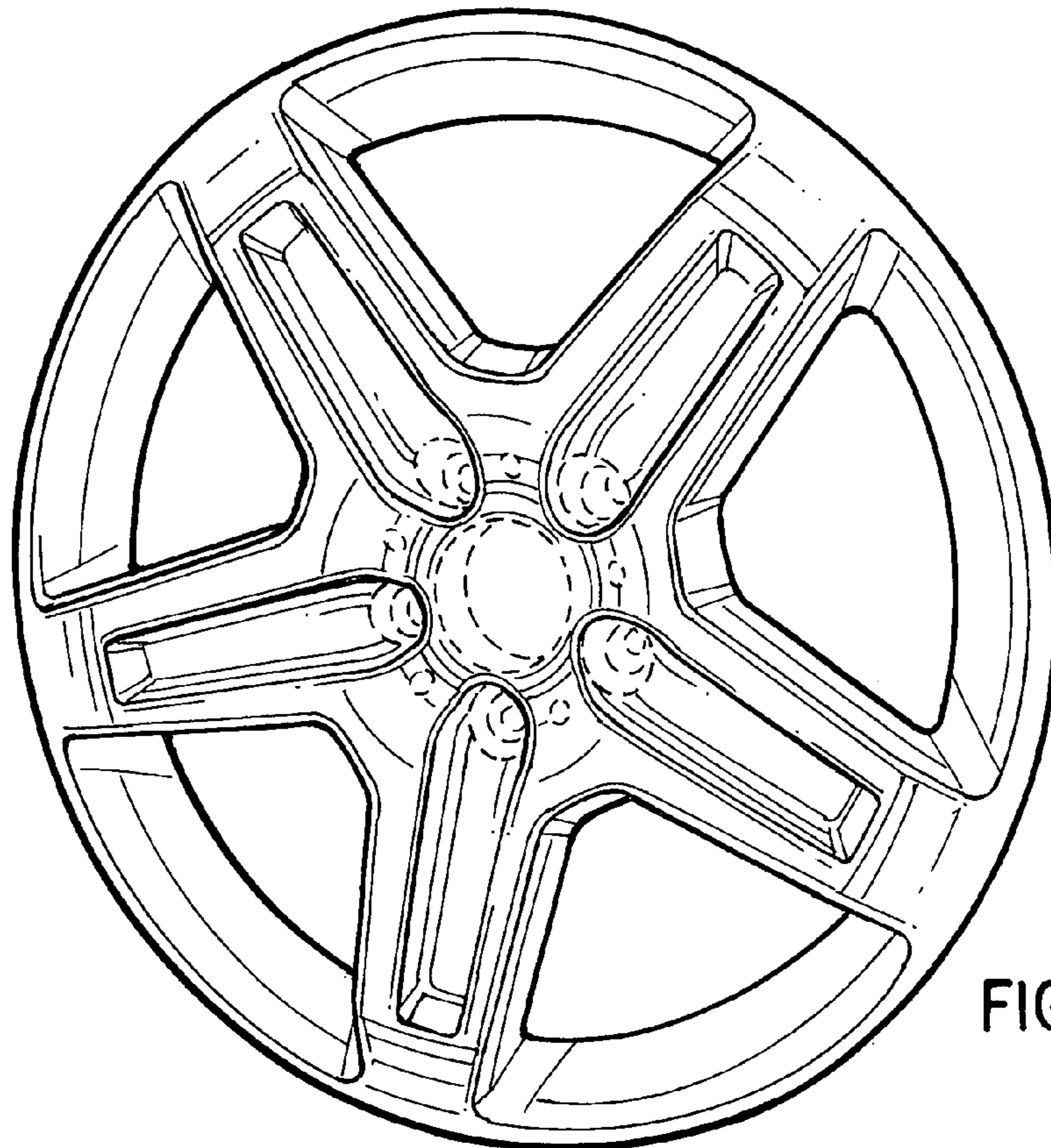


FIG. 2



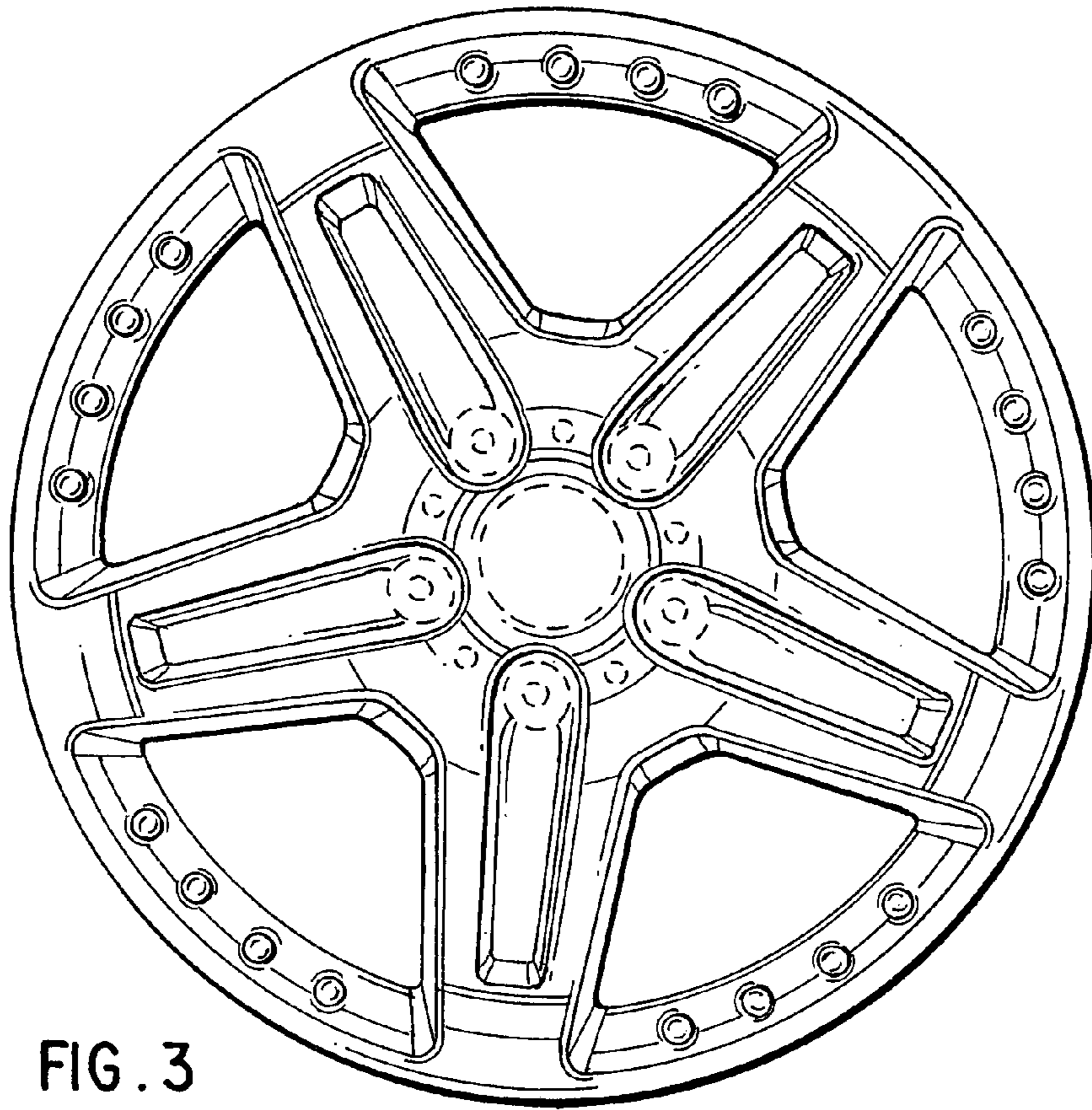


FIG. 3

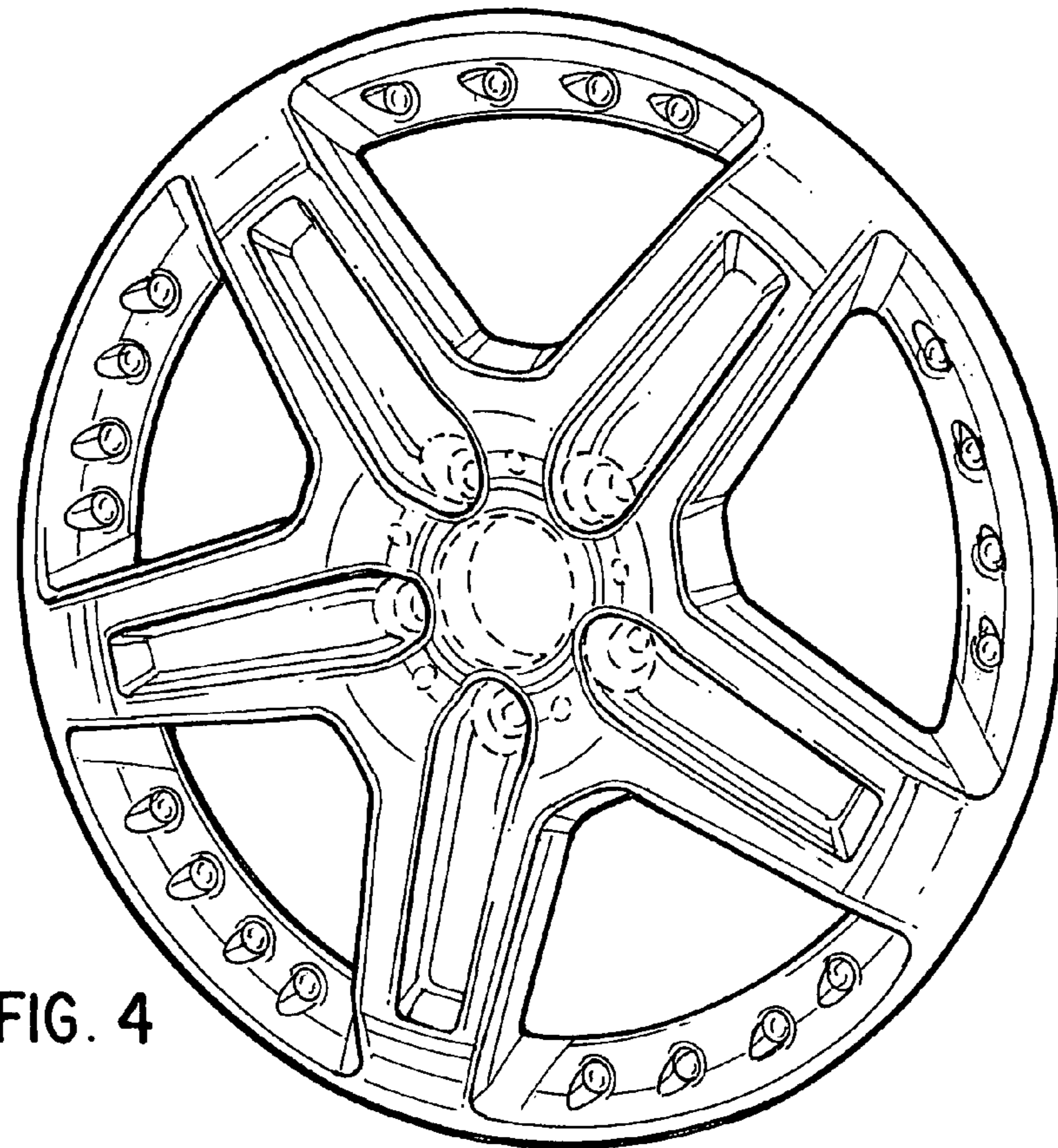


FIG. 4