



US00D579843S

(12) **United States Design Patent**
Beigel et al.

(10) **Patent No.:** **US D579,843 S**
(45) **Date of Patent:** **** Nov. 4, 2008**

(54) **CHASSIS SKIRT SYSTEM OF A TRUCK VEHICLE**

(75) Inventors: **David J. Beigel**, Payne, OH (US);
Robert K. Crook, Jr., Fort Wayne, IN (US);
Manjeet Singh Kohli, Dearborn, MI (US);
Christopher L. Koonce, Albion, IN (US);
Marcey K. Collins, Fort Wayne, IN (US);
Jami L. Smith, Lake Orion, MI (US);
L. David Allendorph, Fort Wayne, IN (US);
Steven A. Oliver, Decatur, IN (US)

(73) Assignee: **International Truck Intellectual Property Company, LLC**, Warrenville, IL (US)

(**) Term: **14 Years**

(21) Appl. No.: **29/295,015**

(22) Filed: **Sep. 20, 2007**

(51) **LOC (8) Cl.** **12-16**

(52) **U.S. Cl.** **D12/196**

(58) **Field of Classification Search** D12/400,
D12/340, 161, 159, 120, 118, 114; 280/11.225,
280/86.752; 188/315, 316, 298, 274, 281,
188/286, 297; 293/134; 267/195; 279/2.01,
279/2.17

See application file for complete search history.

(56) **References Cited**

U.S. PATENT DOCUMENTS

2,431,524 A * 11/1947 Lindsay et al. 296/204

4,514,008 A * 4/1985 Watanabe et al. 296/204
5,611,593 A * 3/1997 Fukagawa et al. 296/204
D433,365 S 11/2000 Beigel
D502,134 S * 2/2005 Chan D12/196
D522,944 S * 6/2006 Beigel et al. D12/196
D522,945 S * 6/2006 Beigel et al. D12/196
7,163,258 B2 1/2007 Dyer, II et al.
7,243,984 B2 * 7/2007 Sugihara et al. 296/193.07
2006/0197361 A1 * 9/2006 Ito et al. 296/193.07

* cited by examiner

Primary Examiner—Louis S Zarfaz

Assistant Examiner—Michael A Pratt

(74) *Attorney, Agent, or Firm*—Jeffrey P. Calfa; Gerald W. Askew

(57) **CLAIM**

The ornamental design for a chassis skirt system of a truck vehicle, as shown and described.

DESCRIPTION

FIG. 1 is a right, front perspective view of of a chassis skirt system of a truck vehicle showing our new design;

FIG. 2 is a right view thereof;

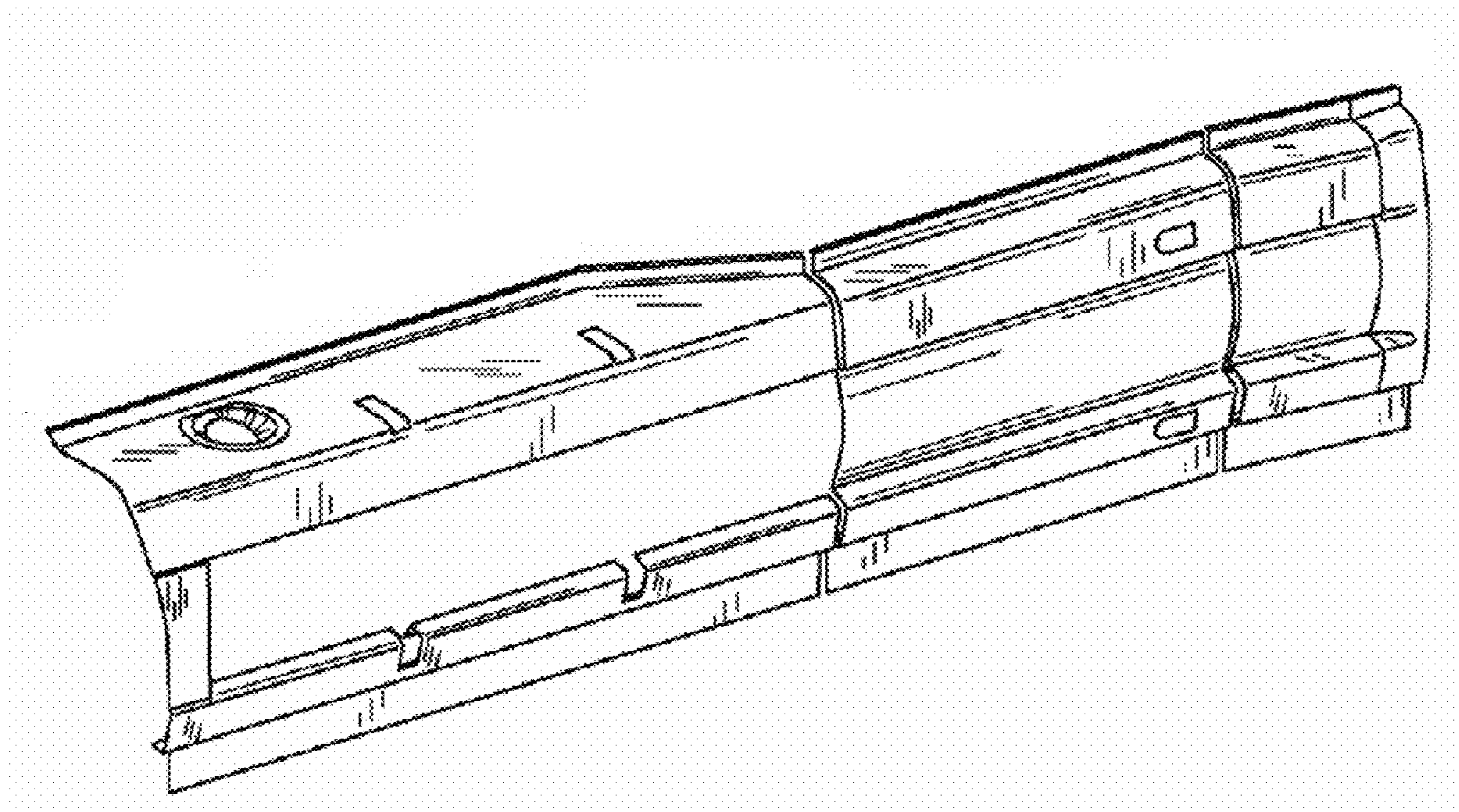
FIG. 3 is a left view thereof;

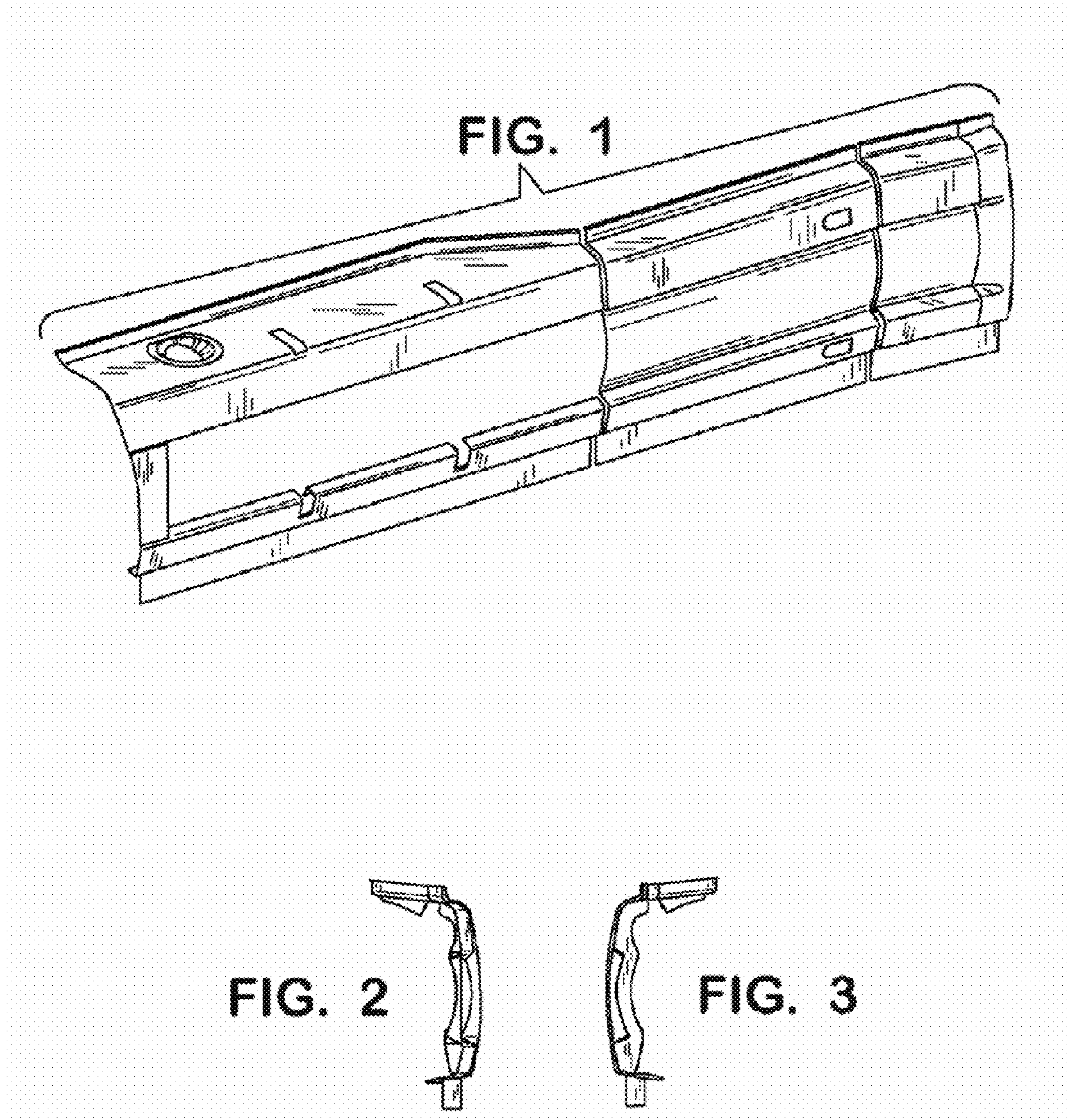
FIG. 4 is a top view thereof;

FIG. 5 is a front view thereof; and,

FIG. 6 is a bottom view thereof.

1 Claim, 2 Drawing Sheets





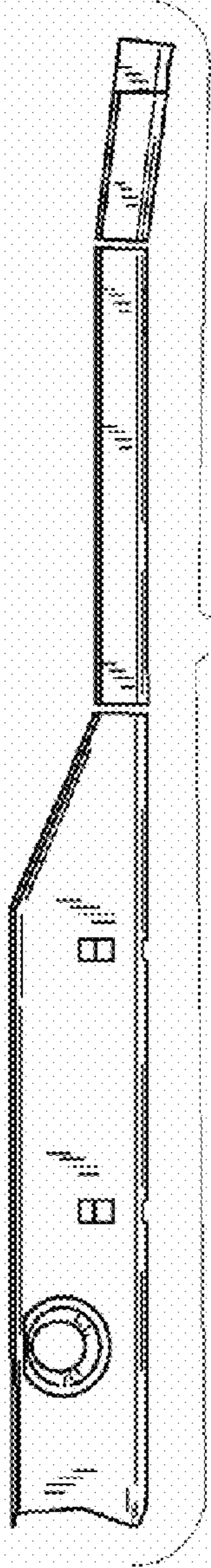


FIG. 4

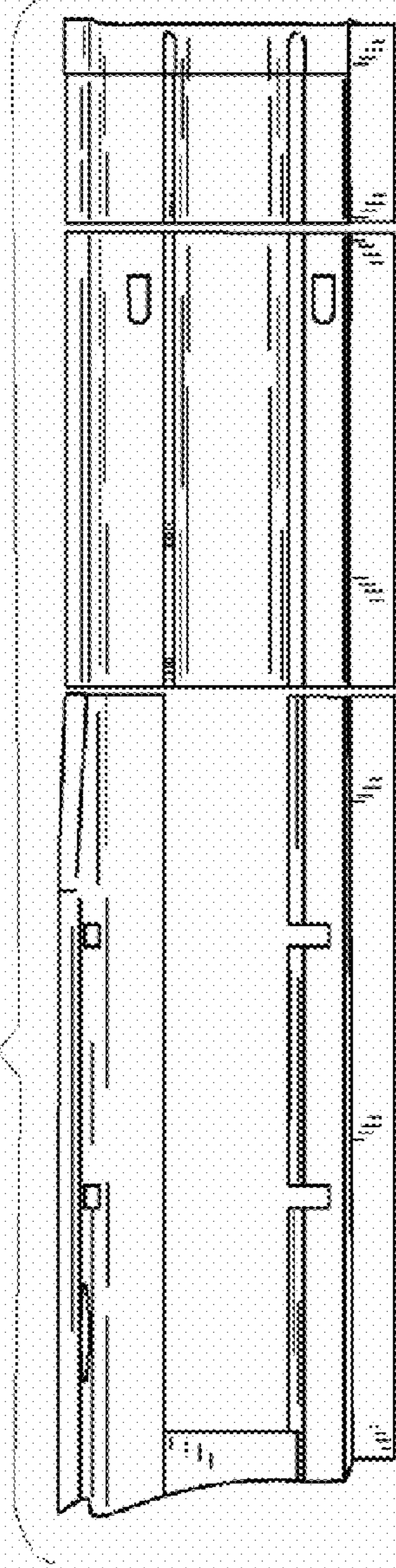


FIG. 5

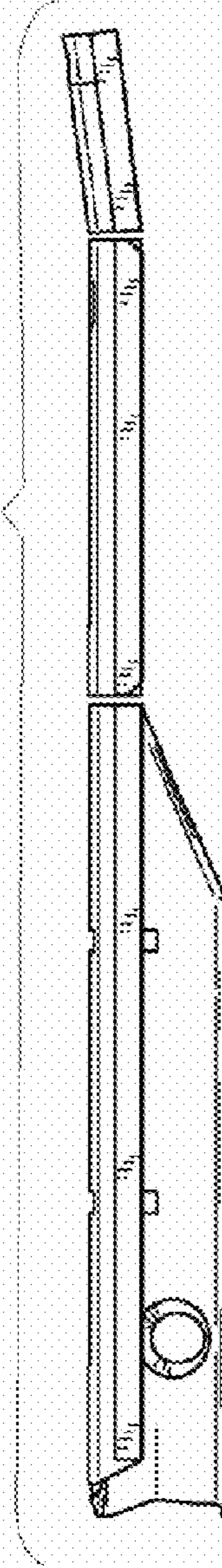


FIG. 6