



US00D579842S

(12) **United States Design Patent**
Ren

(10) **Patent No.:** **US D579,842 S**
(45) **Date of Patent:** **** Nov. 4, 2008**

(54) **MUFFLER COVER**

(75) Inventor: **Ying Xi Ren**, Jinhua Zhejiang (CN)

(73) Assignee: **Sycamore SCS, LLC**, Louisville, KY
(US)

(**) Term: **14 Years**

(21) Appl. No.: **29/296,662**

(22) Filed: **Oct. 25, 2007**

(51) **LOC (8) Cl.** **12-16**

(52) **U.S. Cl.** **D12/194**

(58) **Field of Classification Search** D12/86,
D12/90, 91, 92, 167, 169, 170, 196, 194,
D12/206, 209; 280/152.1, 152.2, 152.3,
280/160.1, 304.3, 770, 848, 852; 29/890.08;
293/105, 113, 115; 296/180.1, 180.2, 77.1,
296/78.1, 85; 60/313, 323; D23/393; D15/5;
454/69, 71, 81; 181/227, 228, 247, 248,
181/249, 250, 251, 264, 282; 180/225, 229,
180/296, 309, 89.2, 219; D9/424, 425, 427,
D9/432, 433, 445; D5/1, 2, 3; 42/2, 8, 16,
42/26, 42.02, 42.03, 76.01; D22/103, 108,
D22/100, 101, 105

See application file for complete search history.

(56) **References Cited**

U.S. PATENT DOCUMENTS

D149,608 S * 5/1948 Bently D15/89
D211,914 S * 8/1968 Roberts D15/8
D231,132 S * 4/1974 Seastrom D15/7

D244,020 S * 4/1977 Hanson et al. D15/148
D252,576 S * 8/1979 Frey D15/148
D261,890 S * 11/1981 Caspersen D15/82
D263,793 S * 4/1982 Magee D9/433
D274,623 S * 7/1984 LaPolice et al. D15/78
D284,577 S * 7/1986 DuBose D15/28
D294,936 S * 3/1988 Brill D12/194
5,121,810 A 6/1992 Araki
6,758,169 B2 7/2004 Suzuki et al.
D509,733 S * 9/2005 Jongens D9/430
D531,642 S 11/2006 Maeda et al.

* cited by examiner

Primary Examiner—Louis S Zarfaz

Assistant Examiner—Michael A Pratt

(74) *Attorney, Agent, or Firm*—Turner Padgett Graham &
Laney

(57) **CLAIM**

The ornamental design for a muffler cover, as shown and described.

DESCRIPTION

FIG. 1 is a first perspective view of the muffler cover, from a higher perspective, depicting the front and right side.

FIG. 2 is a second perspective view of the muffler cover, from a lower perspective, depicting the back and left side.

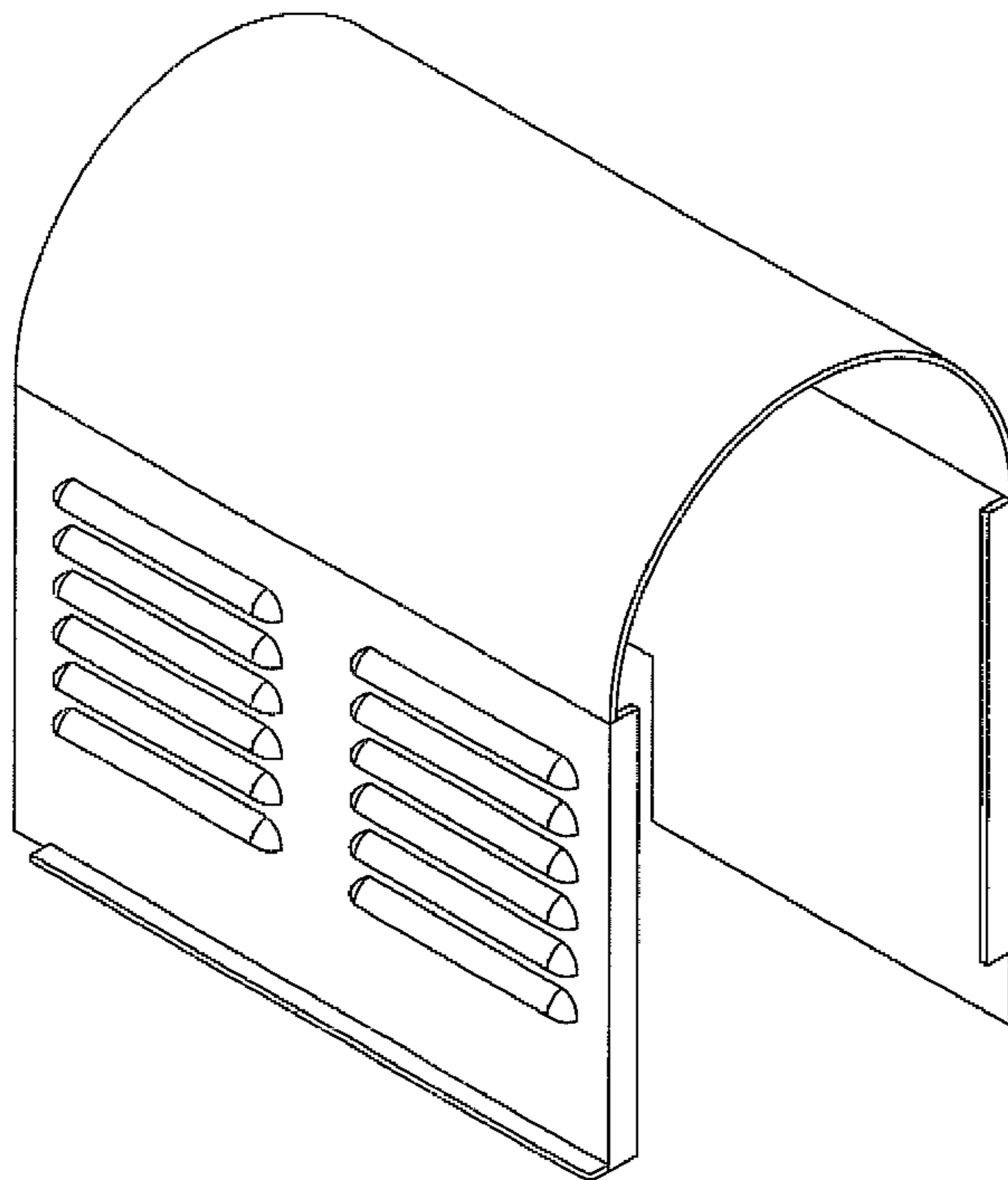
FIG. 3 is front elevation view of the muffler cover;

FIG. 4 is a right side elevation view of the muffler cover;

FIG. 5 is rear elevation view of the muffler cover; and,

FIG. 6 left side elevation view of the muffler cover.

1 Claim, 6 Drawing Sheets



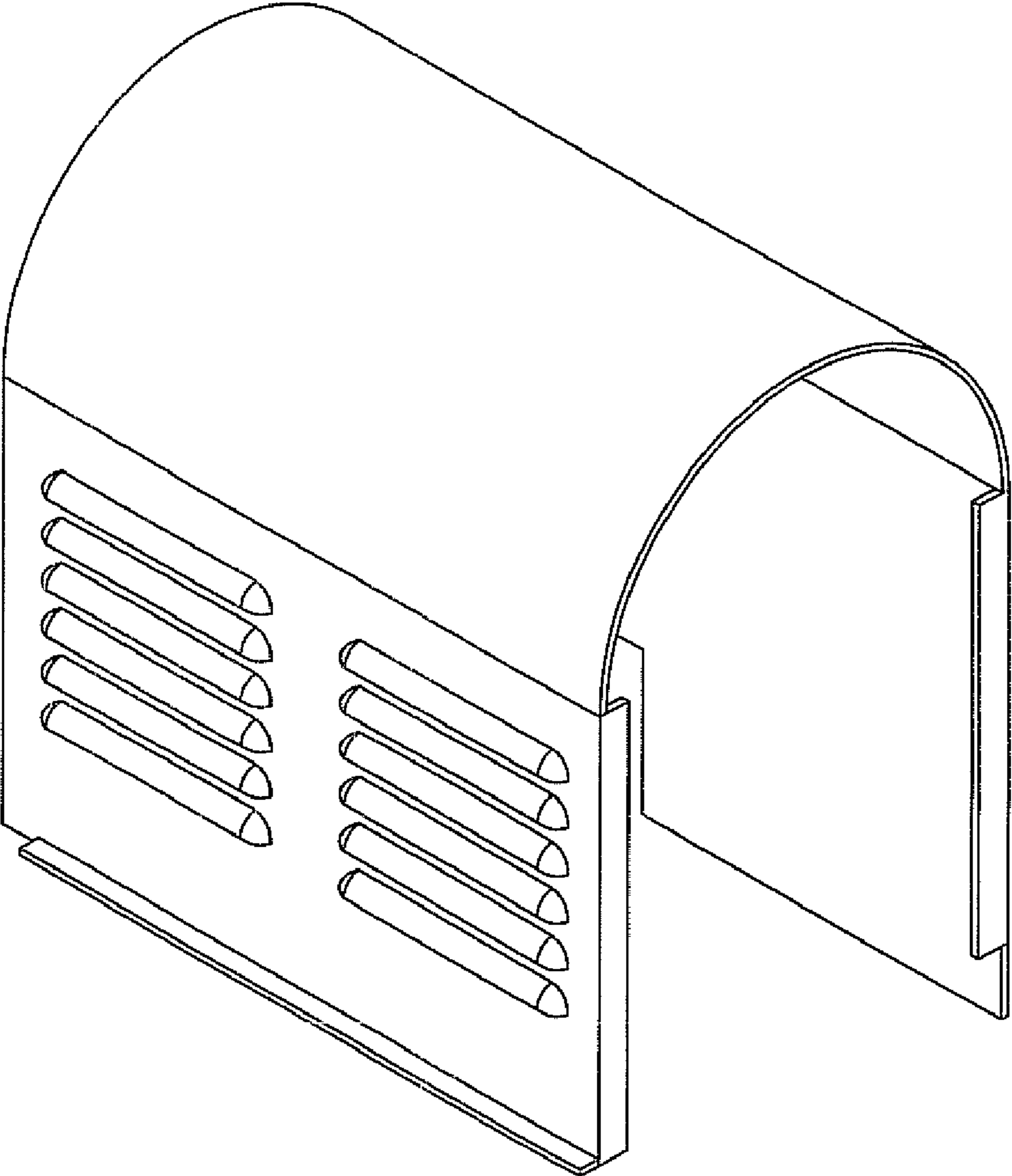


FIG. 1

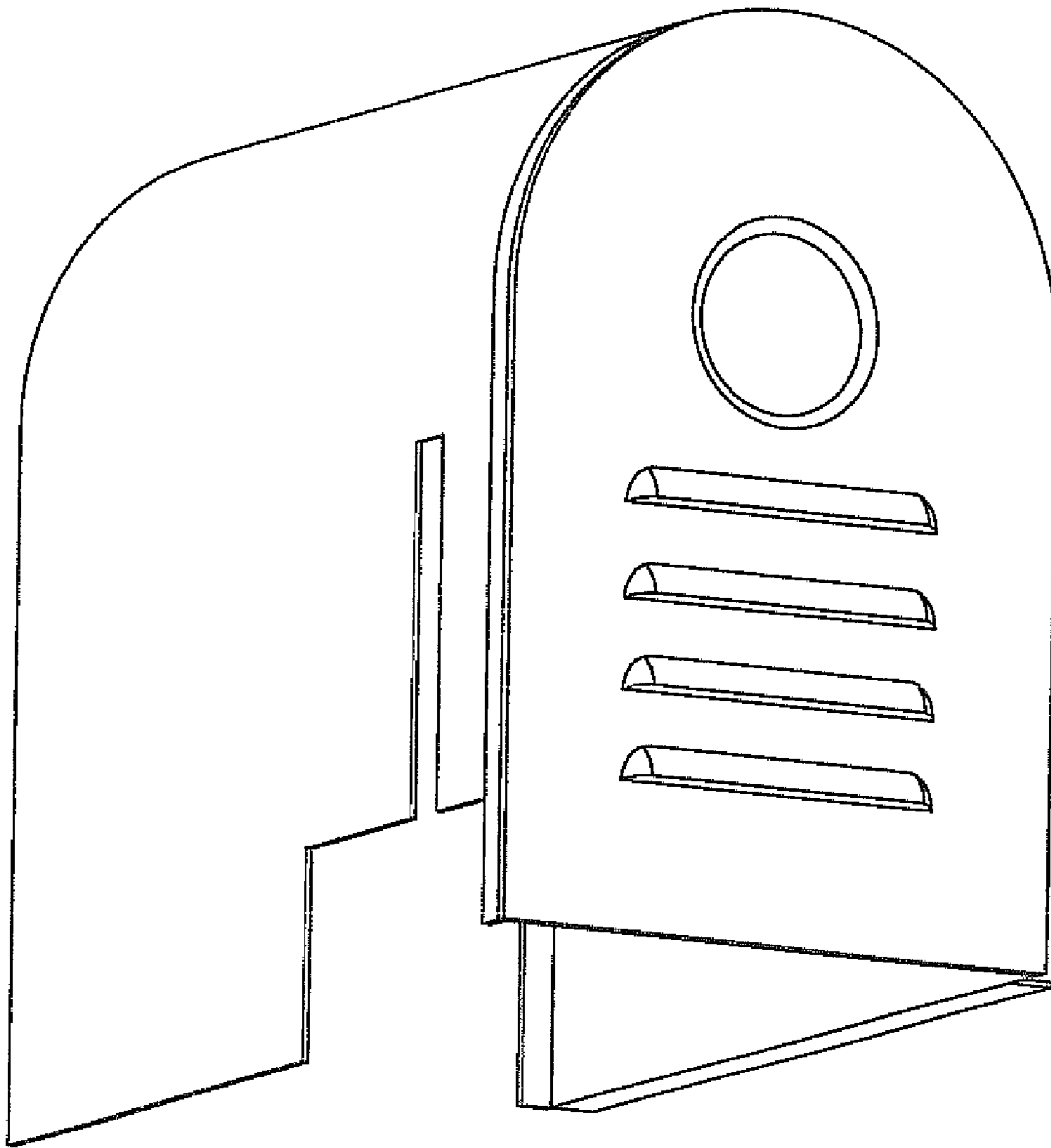


FIG.2

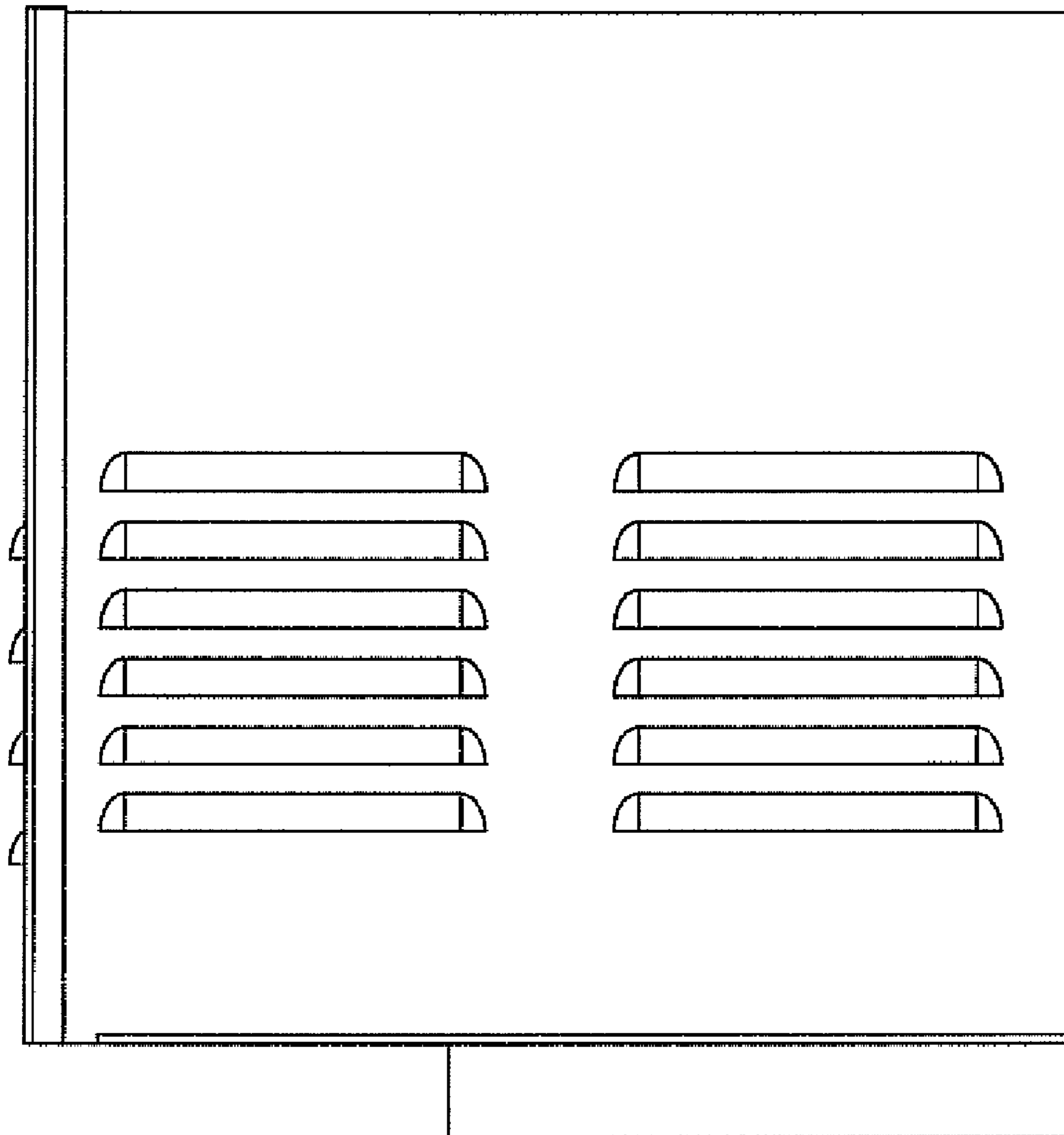


FIG. 3

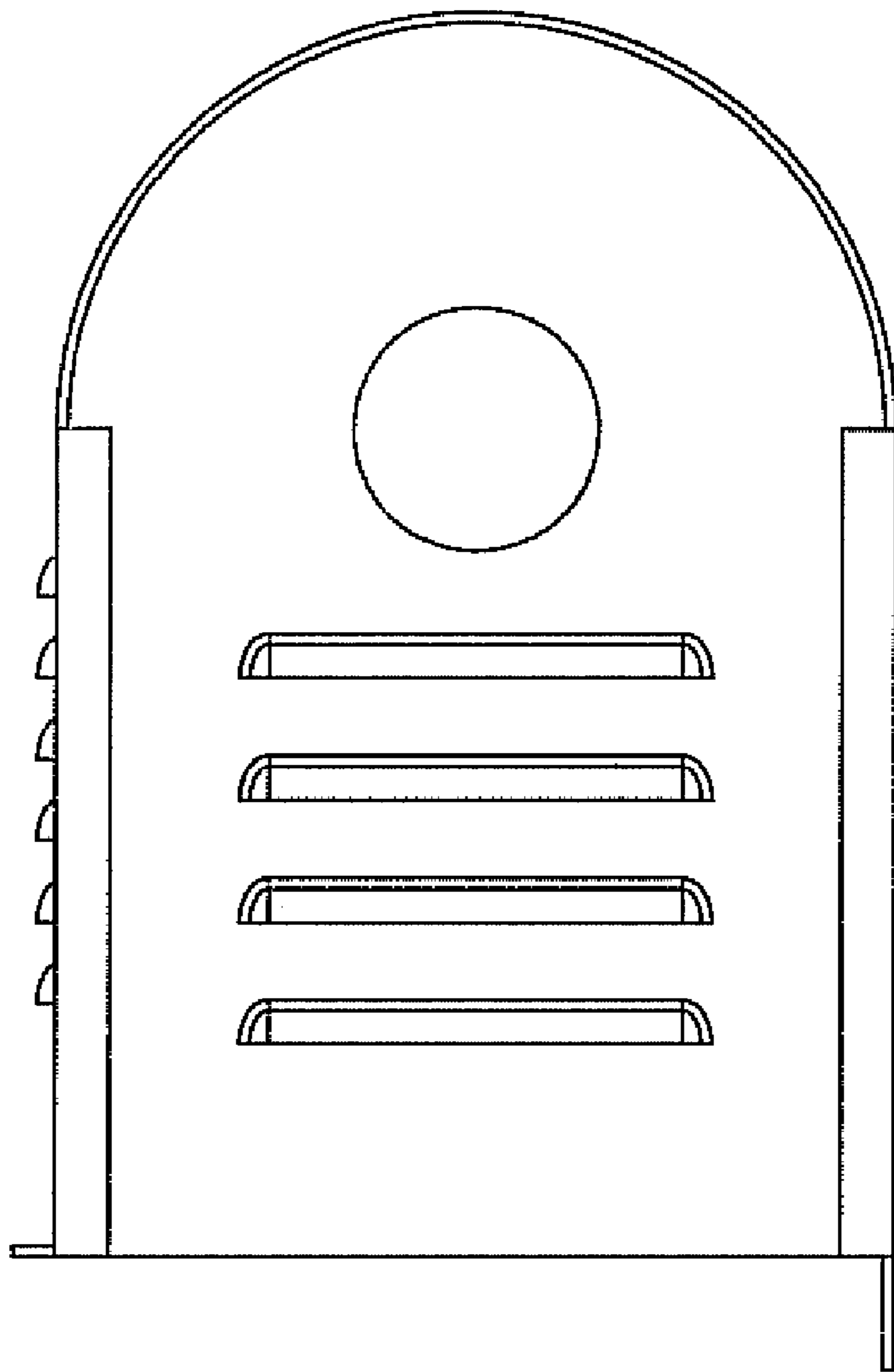


FIG.4

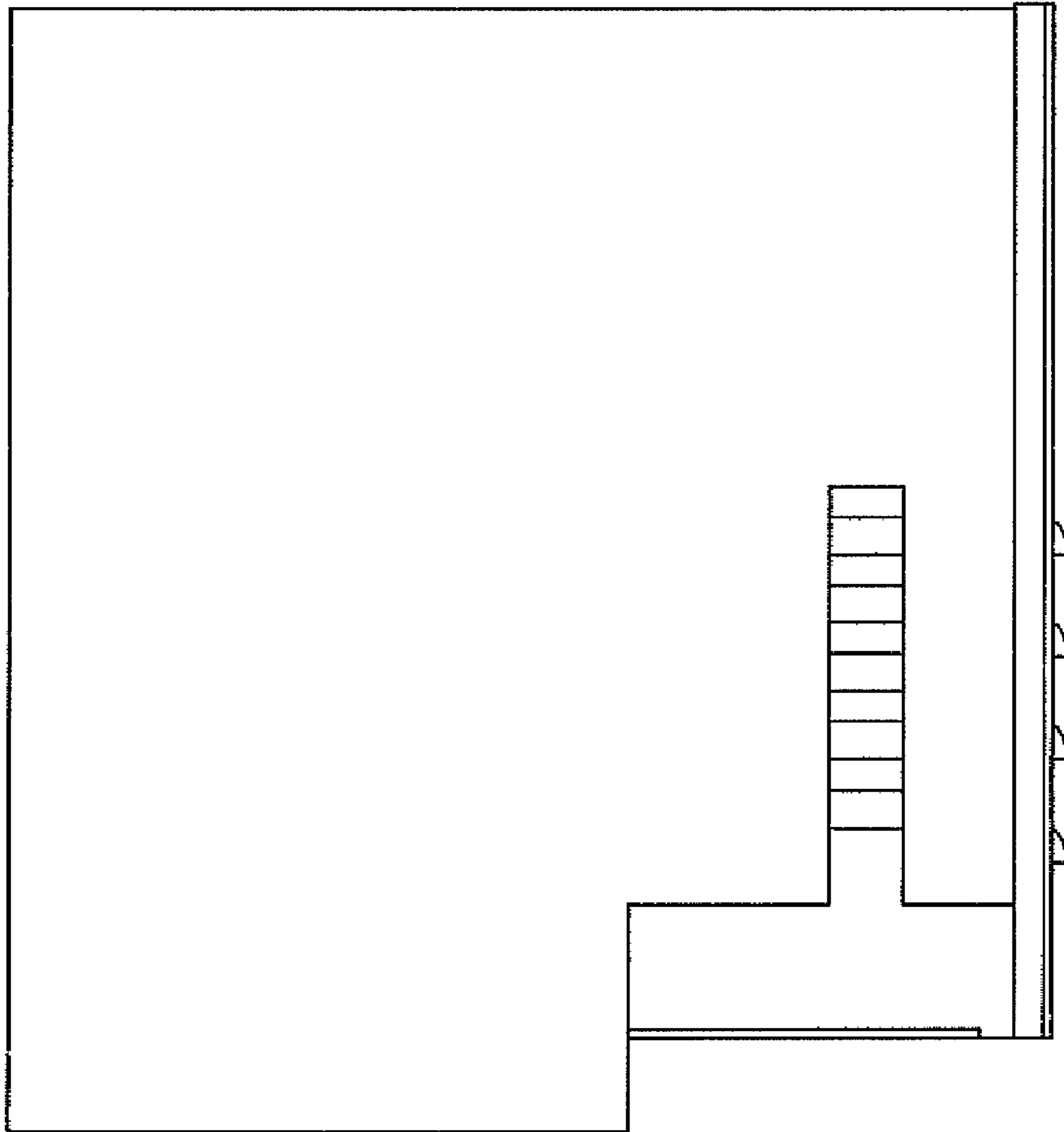


FIG. 5

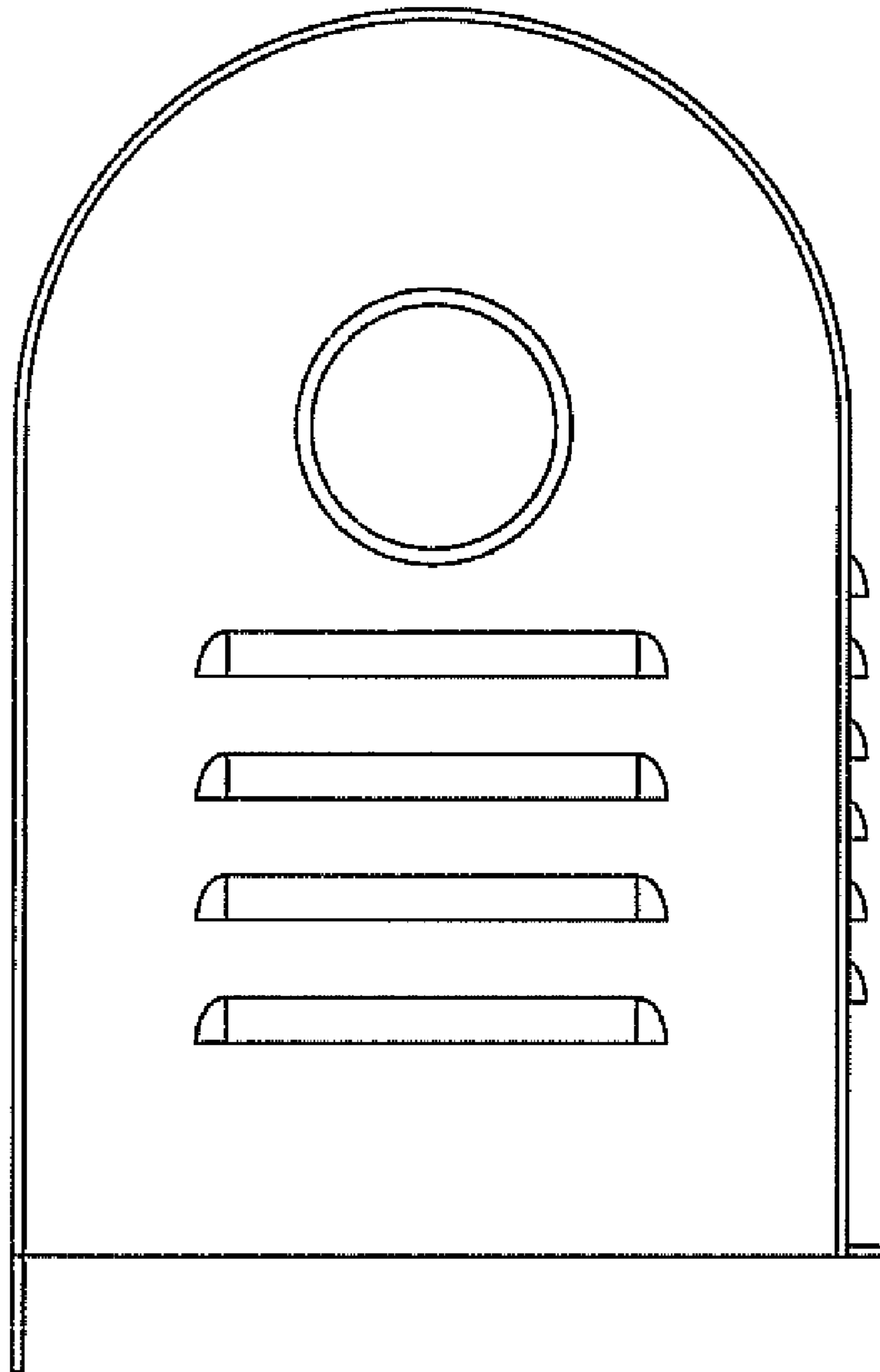


FIG. 6