



US00D579841S

(12) **United States Design Patent**
Wagner

(10) **Patent No.:** **US D579,841 S**

(45) **Date of Patent:** **** Nov. 4, 2008**

(54) **EXHAUST COLLECTOR**

D435,498 S * 12/2000 Bassani D12/194
6,463,641 B2 * 10/2002 Bassani 181/227

(76) Inventor: **Dane Wagner**, 6310 A St., Anchorage,
AK (US) 99518-1821

* cited by examiner

(**) Term: **14 Years**

Primary Examiner—Louis S Zarfaz

Assistant Examiner—Michael A Pratt

(21) Appl. No.: **29/291,465**

(74) *Attorney, Agent, or Firm*—Michael J Travella

(22) Filed: **Aug. 30, 2007**

(57) **CLAIM**

(51) **LOC (8) Cl.** **12-16**

The ornamental design for an exhaust collector, as shown and described.

(52) **U.S. Cl.** **D12/194**

(58) **Field of Classification Search** D12/86,
D12/90, 91, 92, 167, 169, 170, 196, 194,
D12/206, 209; 280/152.1, 152.2, 152.3,
280/160.1, 304.3, 770, 848, 852; 29/890.08;
293/105, 113, 115; 296/180.1, 180.2, 77.1,
296/78.1, 85; 60/313, 323; D23/393; D15/5;
454/69, 71, 81; 181/227, 228, 247, 248,
181/249, 250, 251, 264, 282; 180/225, 229,
180/296, 309, 89.2, 219

DESCRIPTION

See application file for complete search history.

FIG. 1 is a perspective view of my new design for an exhaust collector;

FIG. 2 is a front view thereof;

FIG. 3 is a left side elevation view thereof;

FIG. 4 is a bottom plan view thereof;

FIG. 5 is a rear elevation thereof;

FIG. 6 is a front view thereof with a tube sheet in place; and,

FIG. 7 is an environmental view of the exhaust collector with exhaust pipe.

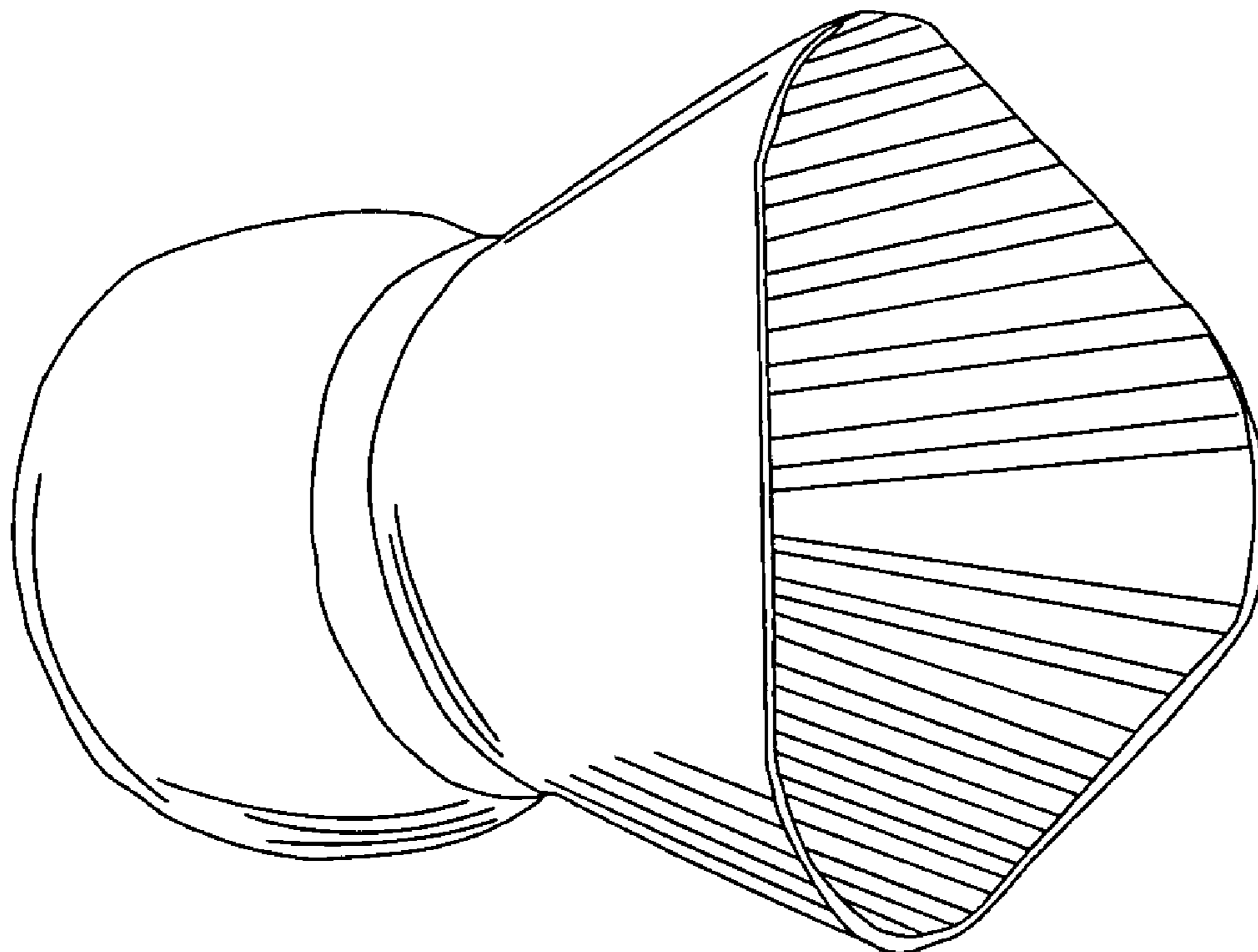
The dashed lines showing the tube sheet and exhaust pipes in FIGS. 6 and 7 are for illustrative purposes only and form no part of the claimed design.

(56) **References Cited**

U.S. PATENT DOCUMENTS

2,925,874 A * 2/1960 Norrie 180/296
3,788,417 A * 1/1974 Willis 180/309
4,537,280 A * 8/1985 Roberts 181/243
D368,247 S * 3/1996 Jones D12/194
D406,593 S * 3/1999 Bittle D15/5

1 Claim, 7 Drawing Sheets



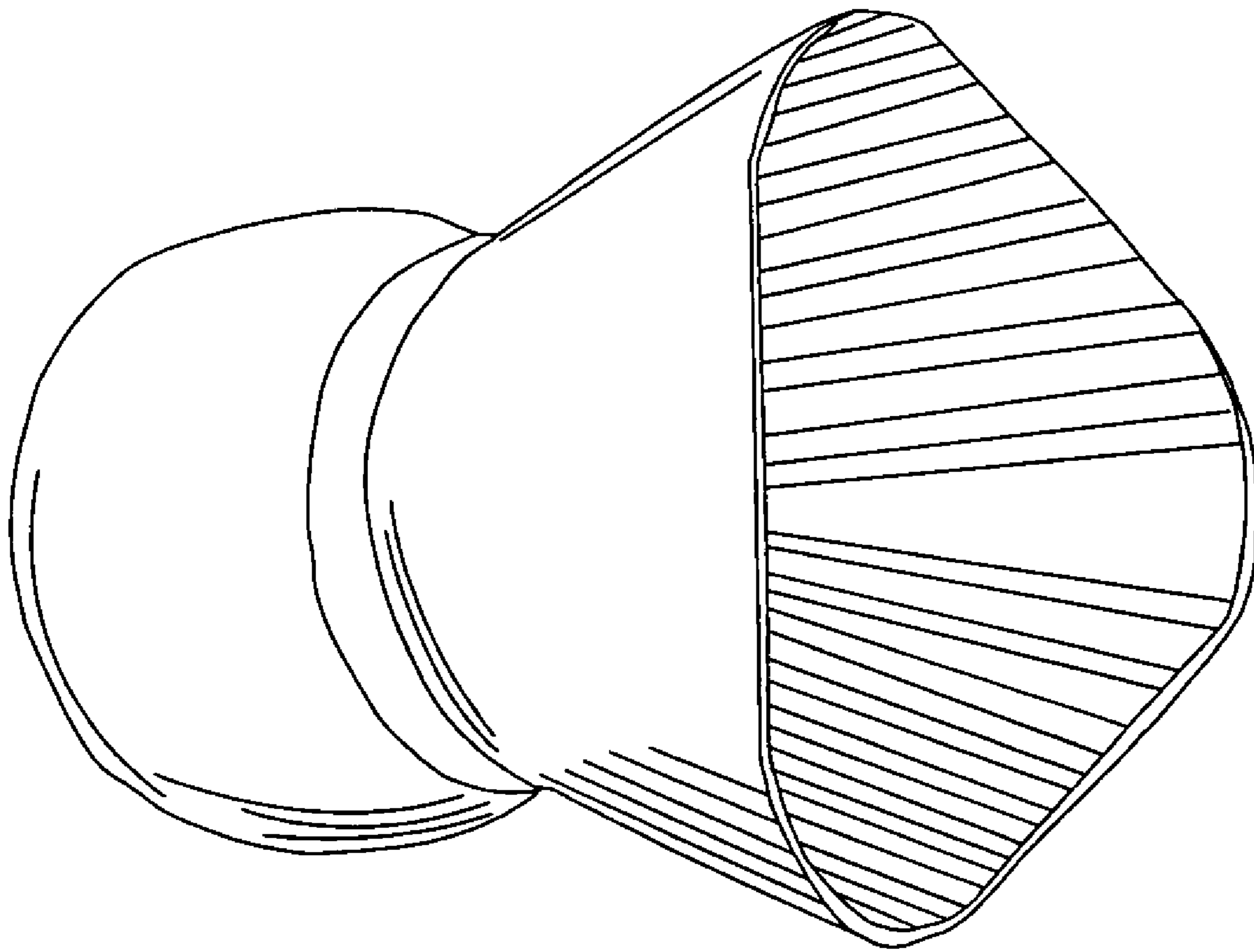


Figure 1

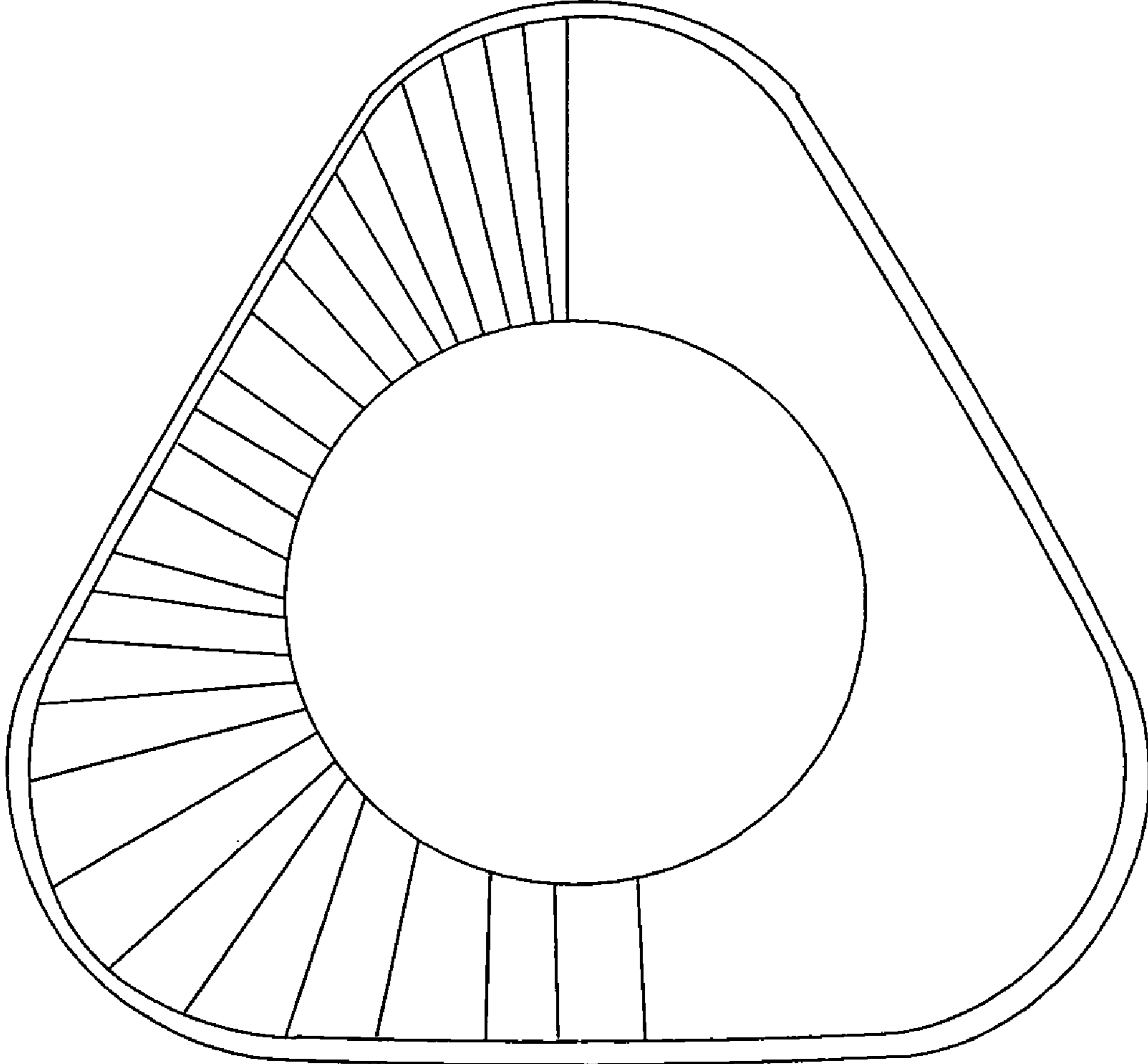


Figure 2

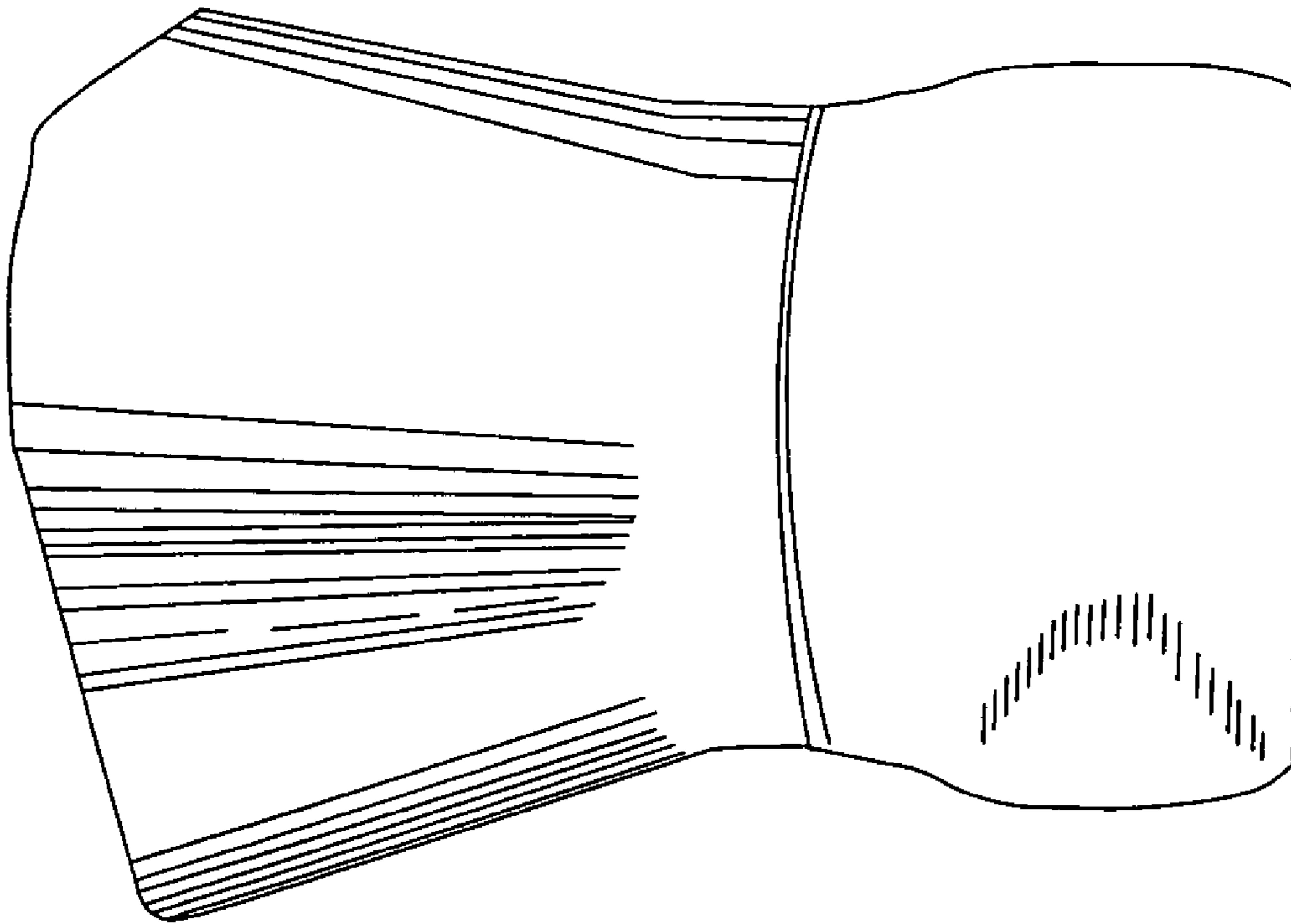


Figure 3

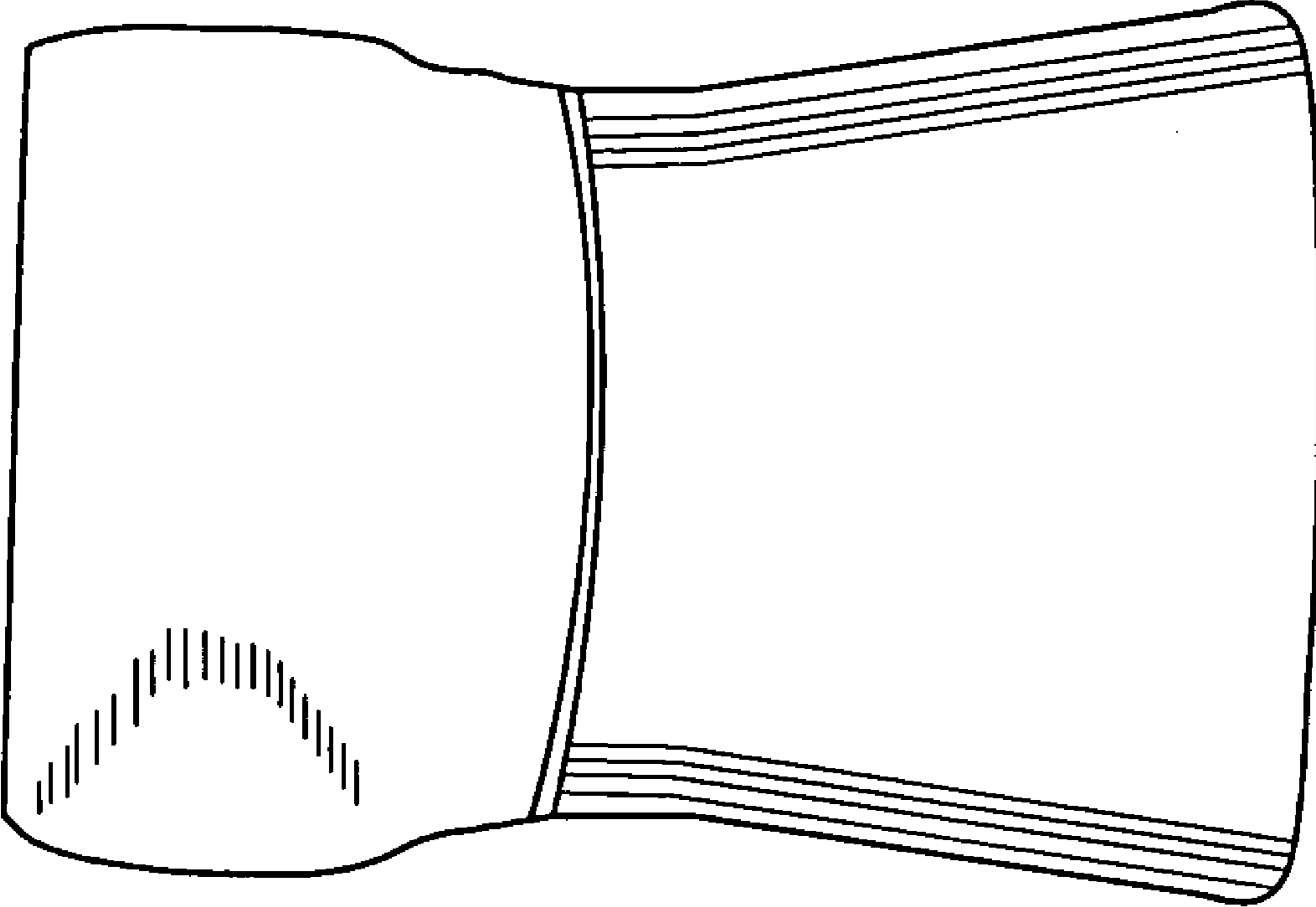


Figure 4

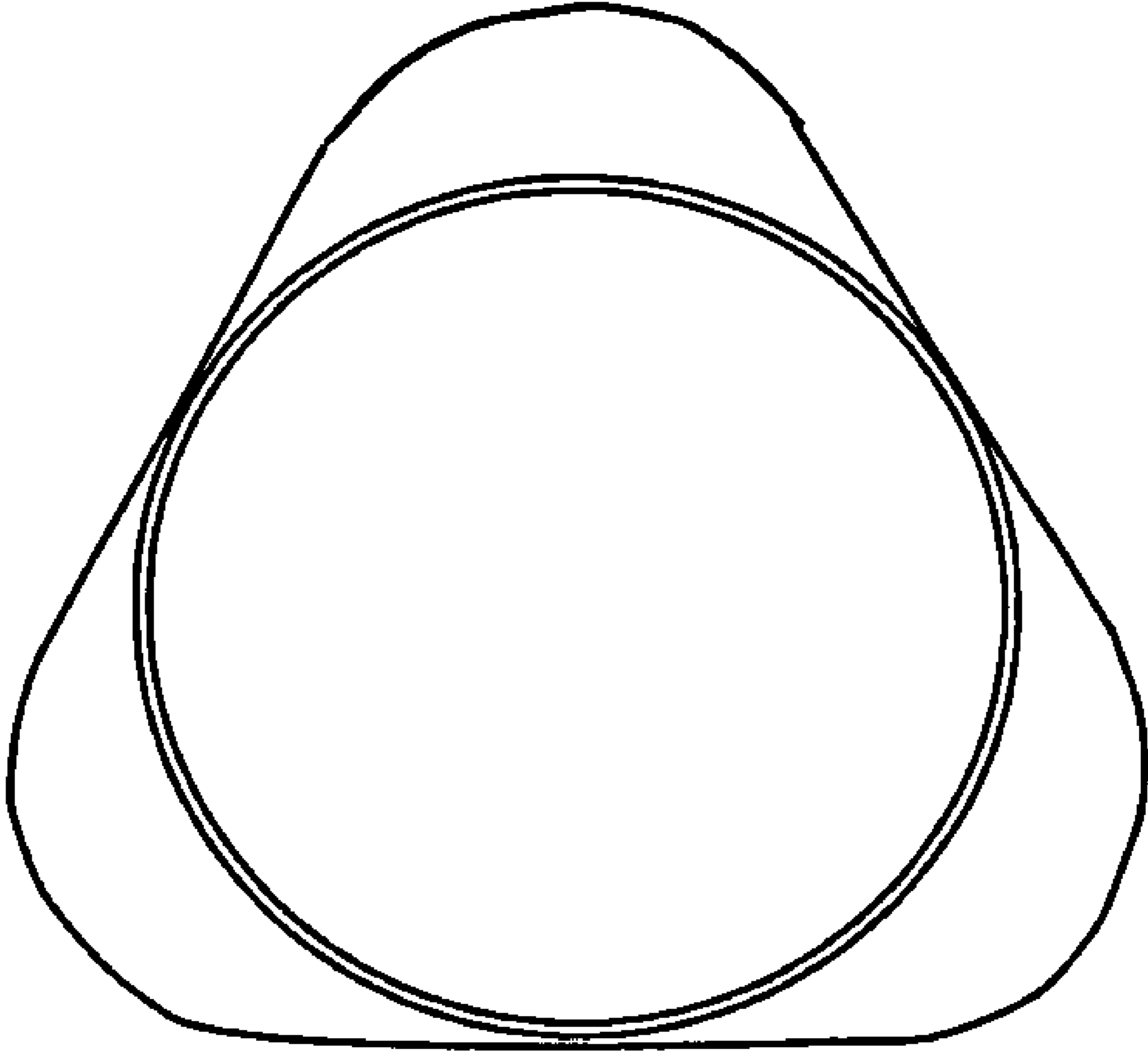


Figure 5

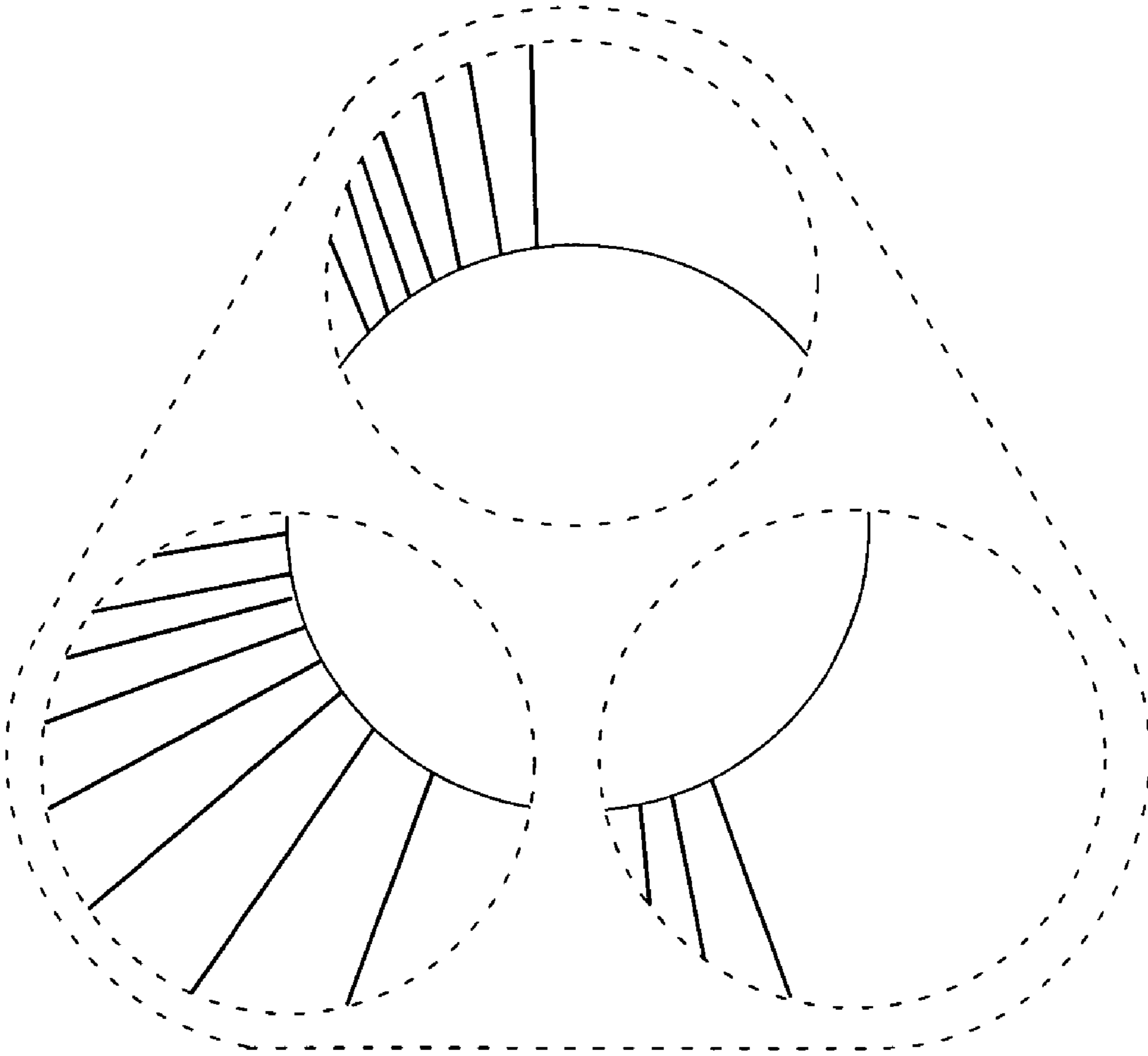


Figure 6

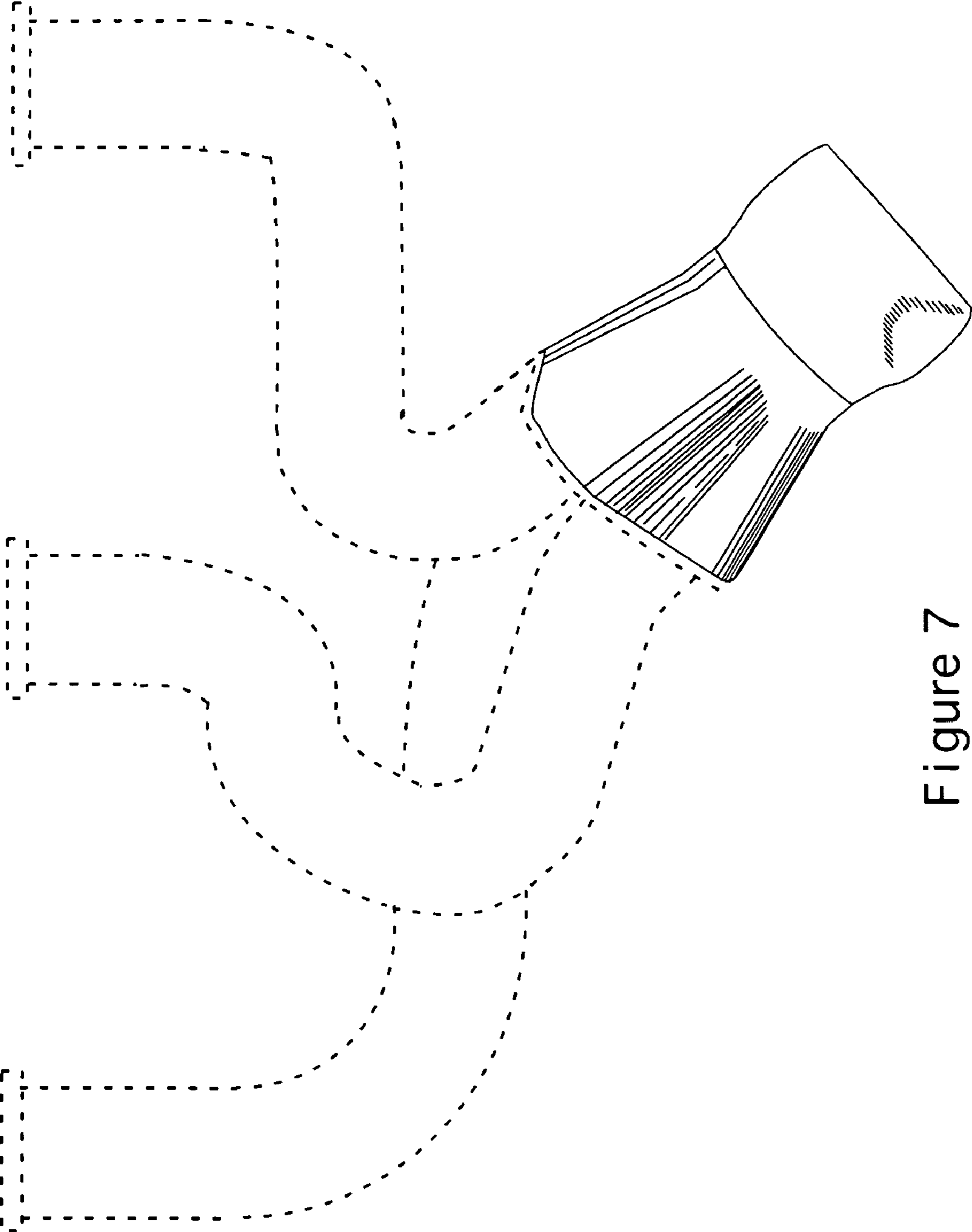


Figure 7