



US00D579839S

(12) **United States Design Patent**
Gale et al.

(10) **Patent No.:** **US D579,839 S**
(45) **Date of Patent:** **** Nov. 4, 2008**

(54) **VEHICLE SIDE MIRROR**

(75) Inventors: **Jeffrey C Gale**, Rochester, MI (US);
Timothy W Anness, Rochester Hills, MI (US)

(73) Assignee: **Chrysler LLC**, Auburn Hills, MI (US)

(**) Term: **14 Years**

(21) Appl. No.: **29/296,215**

(22) Filed: **Oct. 16, 2007**

Related U.S. Application Data

(63) Continuation-in-part of application No. 29/249,265, filed on Sep. 29, 2006, now Pat. No. Des. 564,411.

(51) **LOC (8) Cl.** **12-16**

(52) **U.S. Cl.** **D12/187**

(58) **Field of Classification Search** D12/187-199,
D12/96; D6/300, 309; 359/838, 841, 843,
359/844, 868, 871, 872, 877, 604, 881, 514,
359/866; 248/475.1, 479-483

See application file for complete search history.

(56) **References Cited**

U.S. PATENT DOCUMENTS

5,268,795 A * 12/1993 Usami 359/841

D478,853 S * 8/2003 Boyer D12/187
D489,657 S * 5/2004 Metros et al. D12/187
7,070,287 B2 * 7/2006 Foote et al. 359/841
2004/0218272 A1 * 11/2004 Boddy 359/512

* cited by examiner

Primary Examiner—Robert M. Spear

Assistant Examiner—Katrina A Kile

(74) *Attorney, Agent, or Firm*—Ralph E. Smith

(57) **CLAIM**

The ornamental design for a vehicle side mirror, as shown and described.

DESCRIPTION

FIG. 1 is a front perspective view of a vehicle side mirror showing our new design;

FIG. 2 is a rear perspective view thereof;

FIG. 3 is a front view thereof;

FIG. 4 is a rear view thereof;

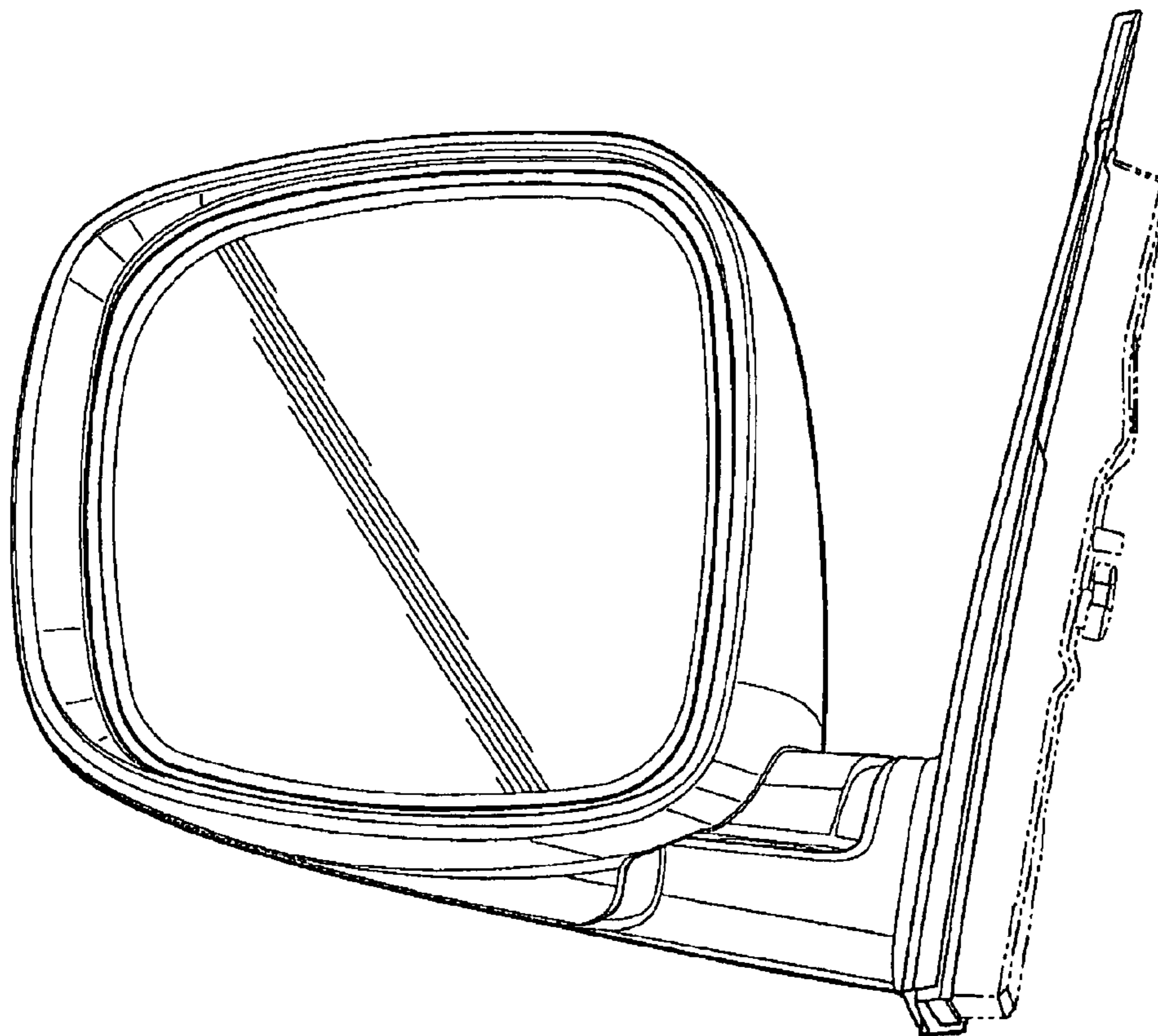
FIG. 5 is a right side view thereof;

FIG. 6 is a top plan view thereof; and,

FIG. 7 is a bottom plan view thereof.

In the drawings, the broken lines depict the area of attachment to an automobile and form no part of the claimed design.

1 Claim, 7 Drawing Sheets



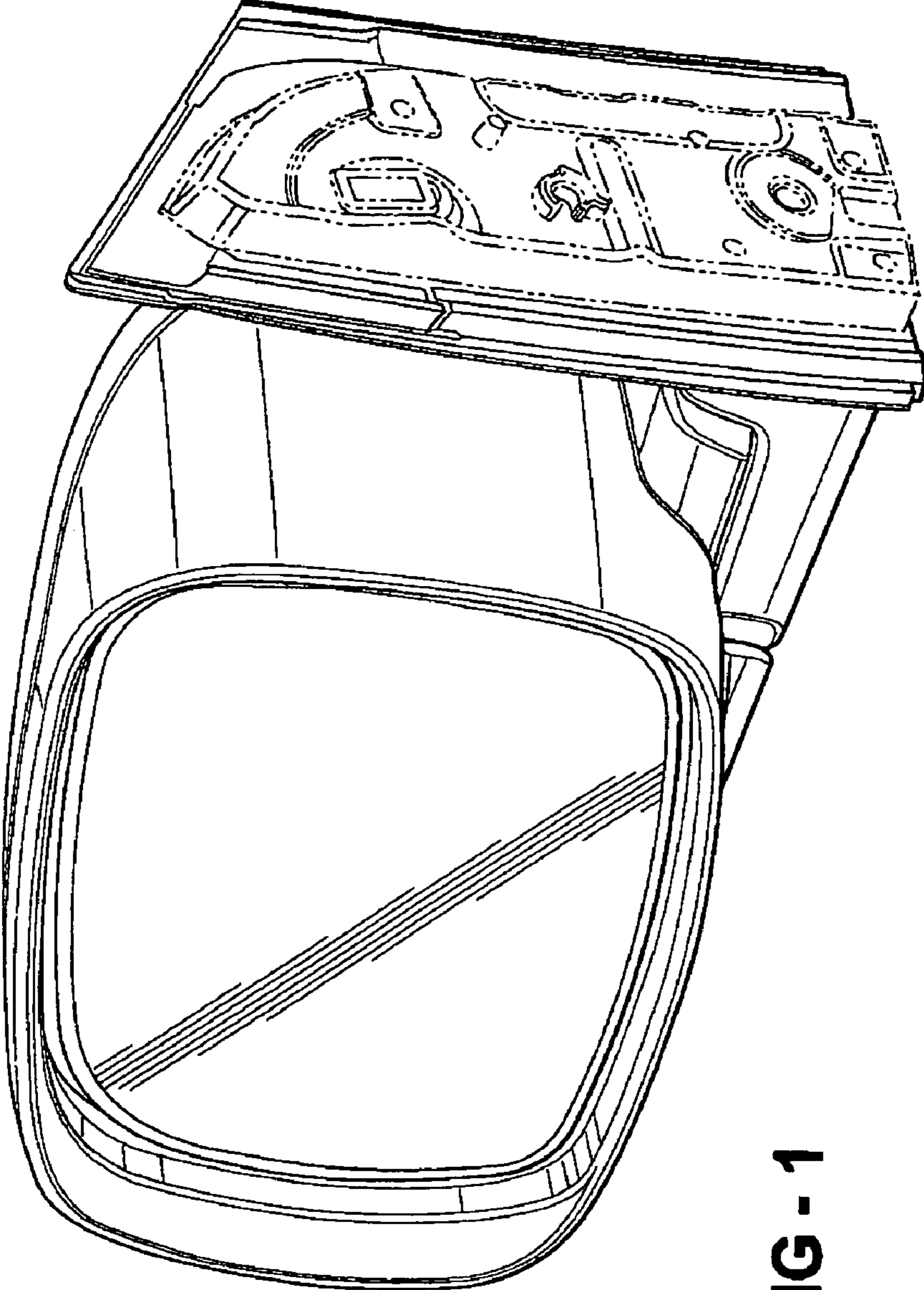
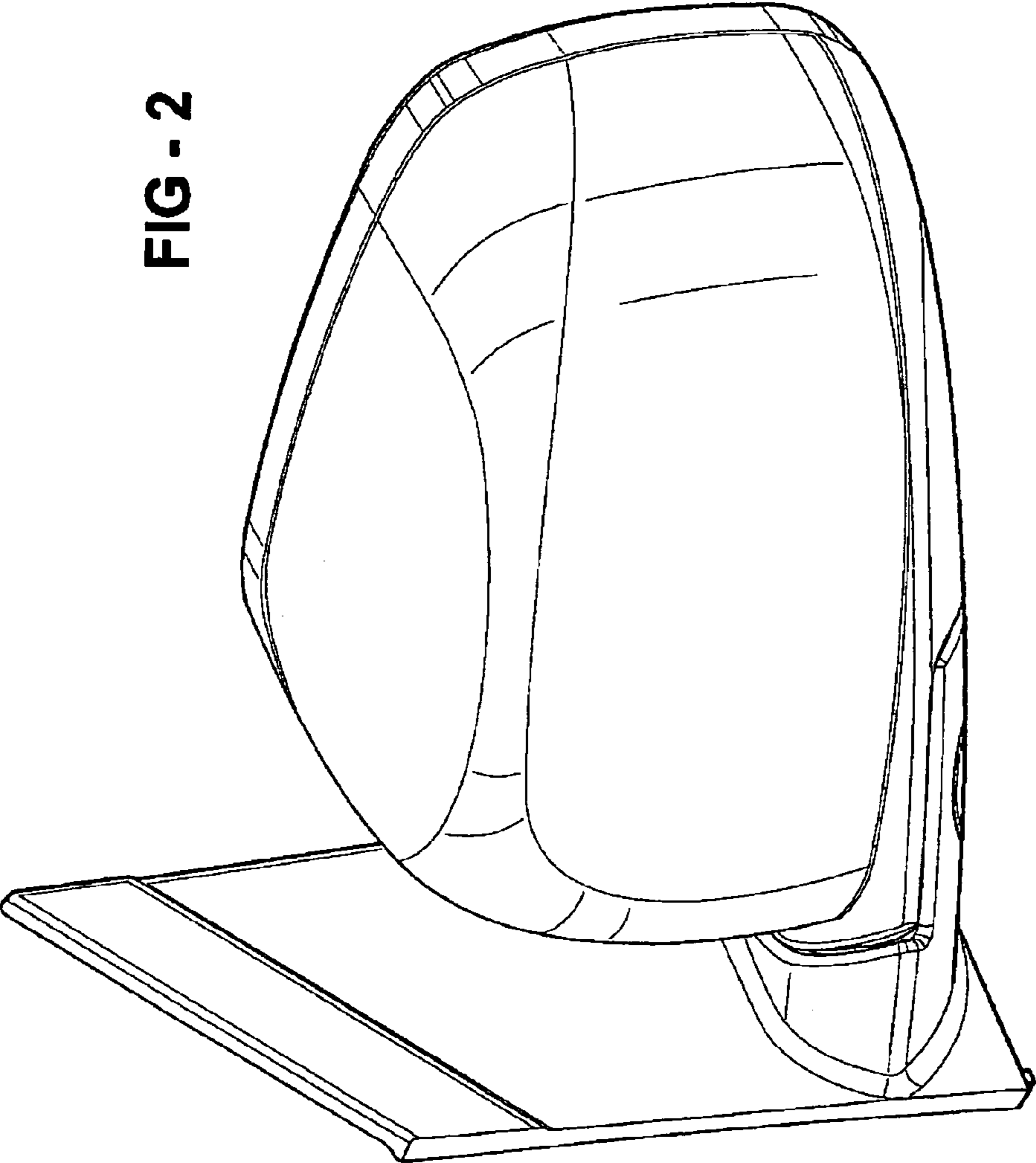


FIG - 1

FIG - 2



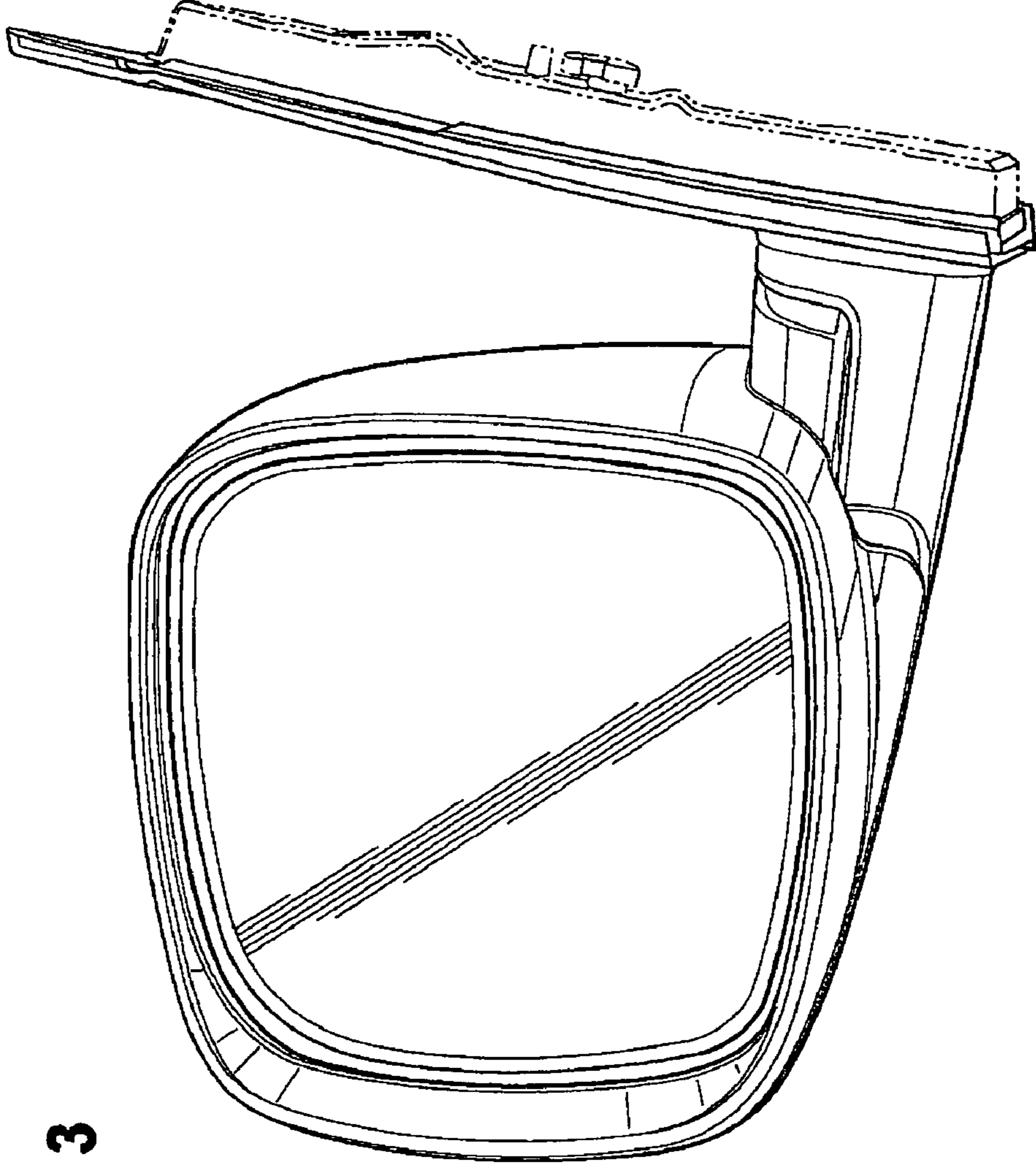
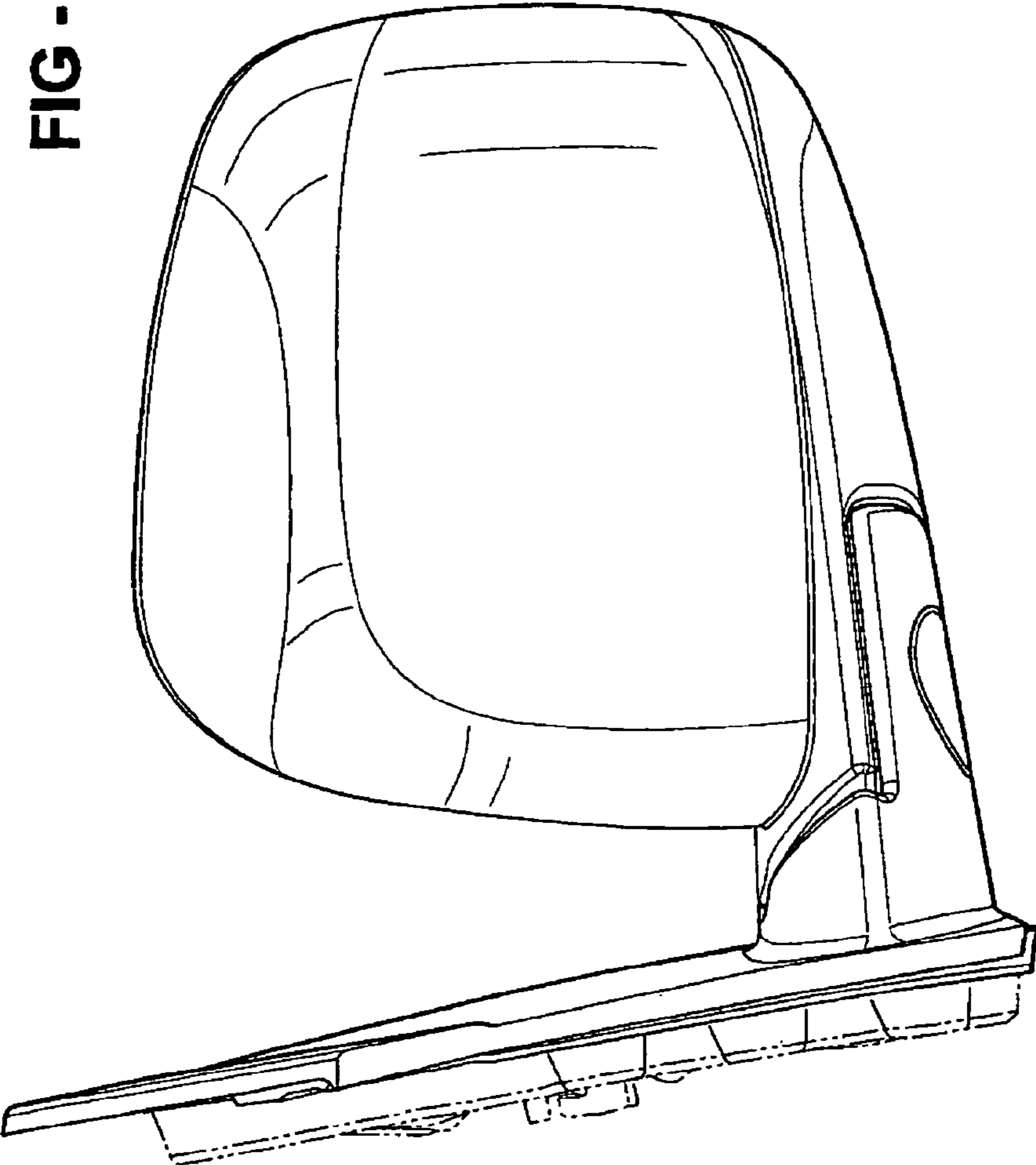


FIG - 3

FIG - 4



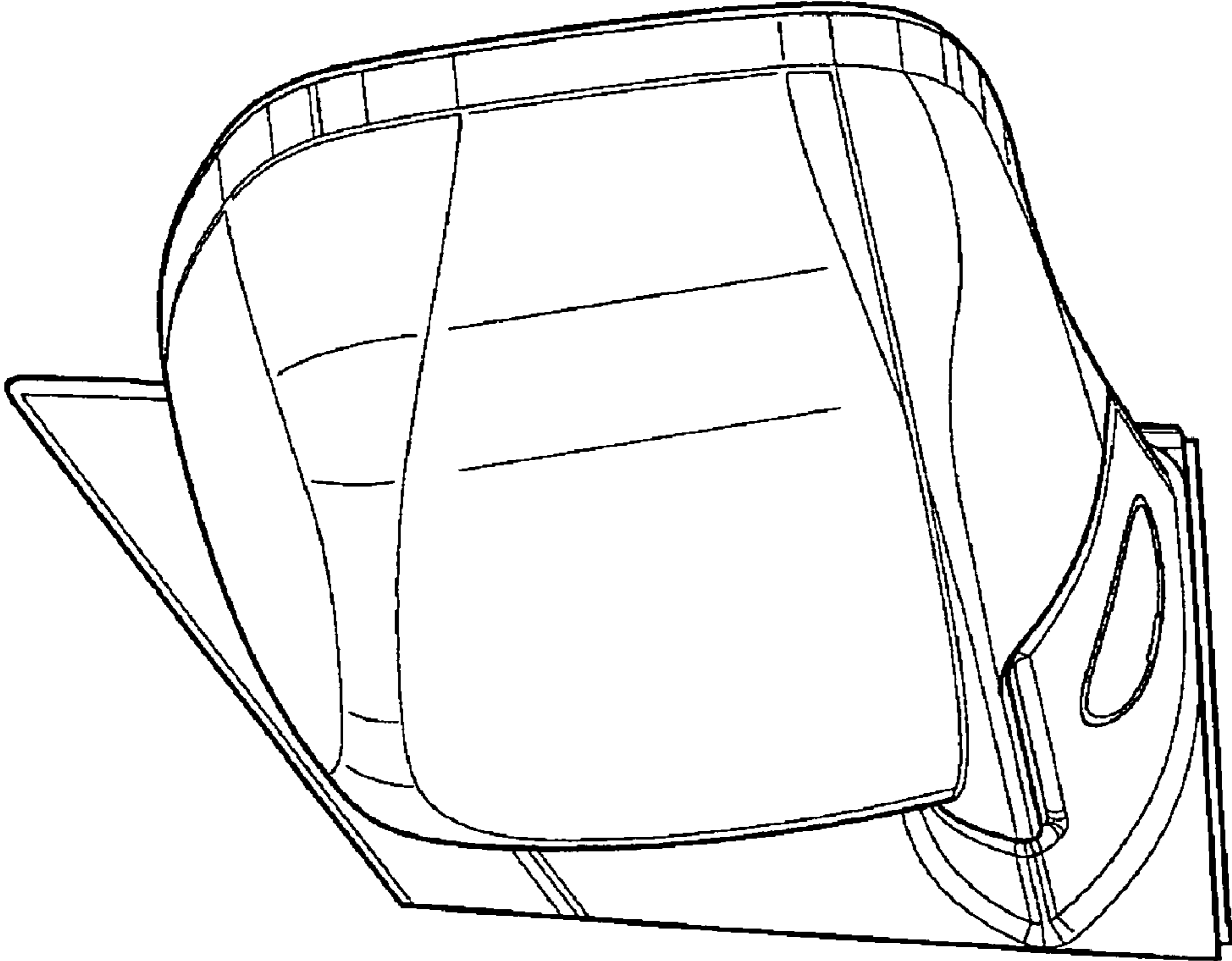


FIG - 5

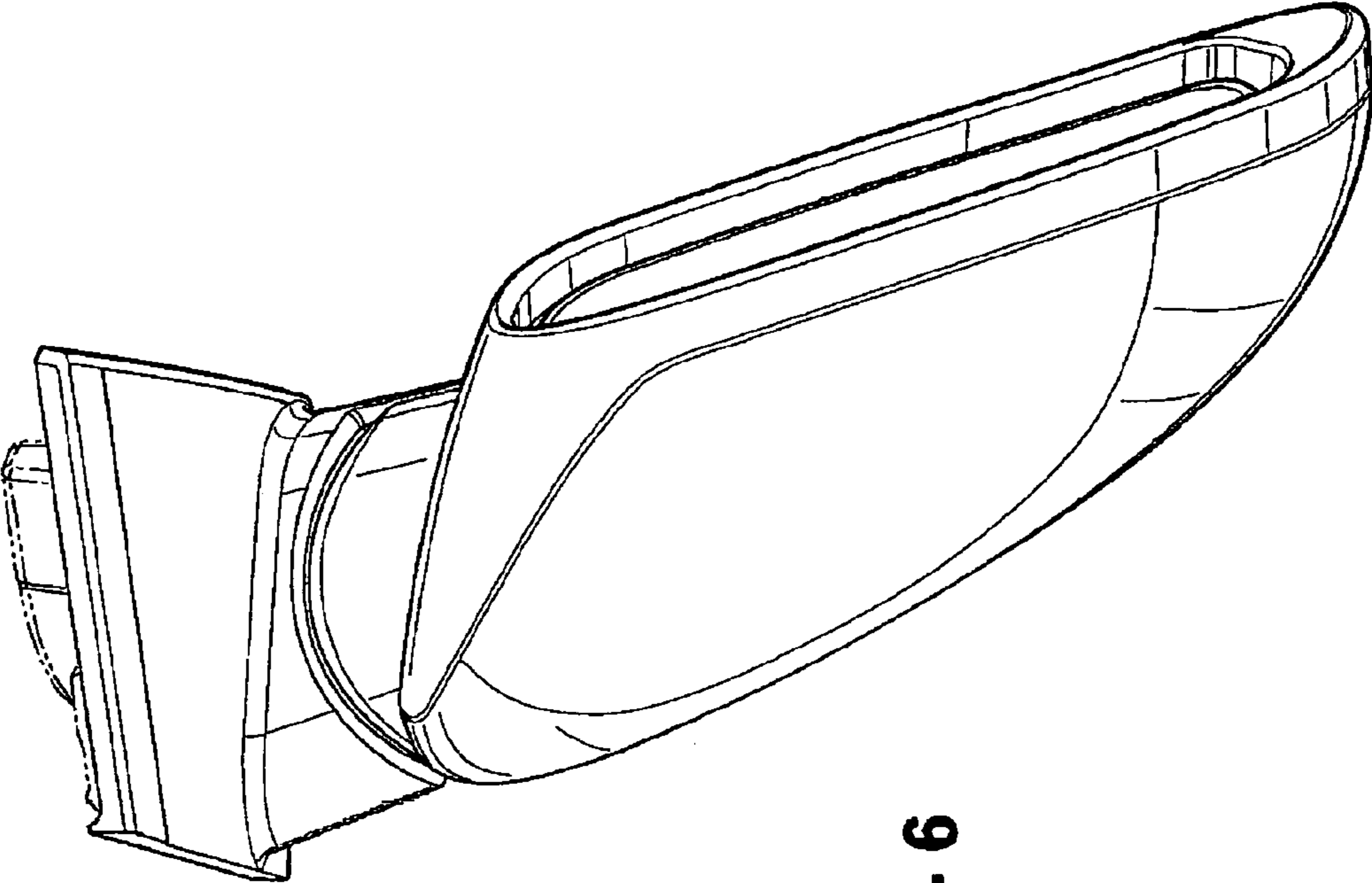


FIG - 6

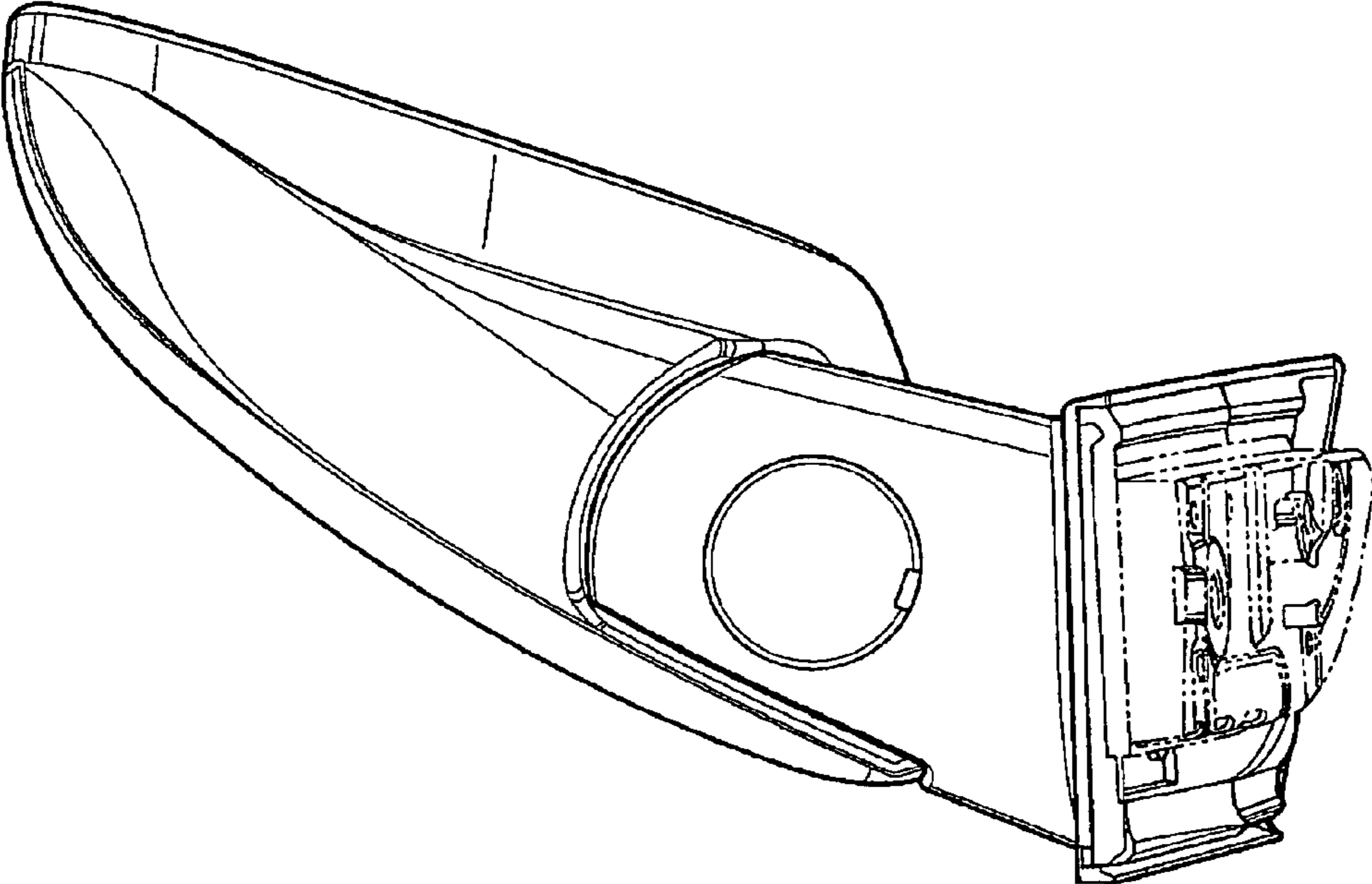


FIG - 7