



US00D579835S

(12) **United States Design Patent**  
**Vanaria**

(10) **Patent No.:** **US D579,835 S**

(45) **Date of Patent:** **\*\* Nov. 4, 2008**

(54) **MUD GUARD**

(76) **Inventor:** **Donald J. Vanaria**, 6 Butts Rock Rd.,  
Little Compton, RI (US) 02837

(\*\*) **Term:** **14 Years**

(21) **Appl. No.:** **29/289,924**

(22) **Filed:** **Aug. 7, 2007**

(51) **LOC (8) Cl.** ..... **12-16**

(52) **U.S. Cl.** ..... **D12/184; D12/181; D12/196;**  
**D12/185**

(58) **Field of Classification Search** ..... **D12/184,**  
**D12/181, 400, 185, 190, 173, 96, 97; D9/419,**  
**D9/424, 433, 432; D25/57, 118; 180/89.12,**  
**180/89.13, 89.67; 220/495.03; 229/122.31;**  
**296/184.1; 293/128; 280/848, 152.1, 849,**  
**280/851**

See application file for complete search history.

(56) **References Cited**

**U.S. PATENT DOCUMENTS**

D109,121	S	*	4/1938	Barofsky	.....	D12/184
2,832,609	A	*	4/1958	Buckenhizer	.....	280/848
3,384,388	A	*	5/1968	Kobrehel et al.	.....	280/848
3,584,898	A	*	6/1971	Pearson et al.	.....	280/848
4,062,580	A	*	12/1977	West	.....	293/128
D304,819	S	*	11/1989	Chapman et al.	.....	D12/181
D320,590	S	*	10/1991	Dunn	.....	D12/186
D321,160	S	*	10/1991	Kingsley	.....	D12/184
5,139,285	A	*	8/1992	Lasinski	.....	280/849
D340,022	S	*	10/1993	Lawrence	.....	D12/184
D345,333	S	*	3/1994	Roman	.....	D12/184
D346,577	S	*	5/1994	Roman	.....	D12/184
D382,844	S	*	8/1997	Norwood et al.	.....	D12/184
D389,110	S	*	1/1998	Stanesic	.....	D12/181

D405,038	S	*	2/1999	LeBlanc	.....	D12/184
D407,360	S	*	3/1999	Hellhake et al.	.....	D12/185
D408,006	S	*	4/1999	Webb	.....	D12/401
D455,371	S	*	4/2002	Brassington	.....	D12/97
D472,193	S	*	3/2003	Sinkwitz	.....	D12/196
D474,429	S	*	5/2003	Weber et al.	.....	D12/184
D485,220	S	*	1/2004	Pevytoe et al.	.....	D12/181
D519,427	S	*	4/2006	Haddock	.....	D12/186
D548,660	S	*	8/2007	Jenkins	.....	D12/196
D562,201	S	*	2/2008	Gresens et al.	.....	D12/184

\* cited by examiner

*Primary Examiner*—Philip Hyder

*Assistant Examiner*—Cynthia Underwood

(74) *Attorney, Agent, or Firm*—Salter & Michaelson

(57) **CLAIM**

The ornamental design for a mud guard, as shown and described.

**DESCRIPTION**

FIG. 1 is a perspective view of a mud guard showing my new design;

FIG. 2 is a top plan view thereof;

FIG. 3 is a bottom plan view thereof;

FIG. 4 is a left side elevational view thereof;

FIG. 5 is a right side elevational view thereof;

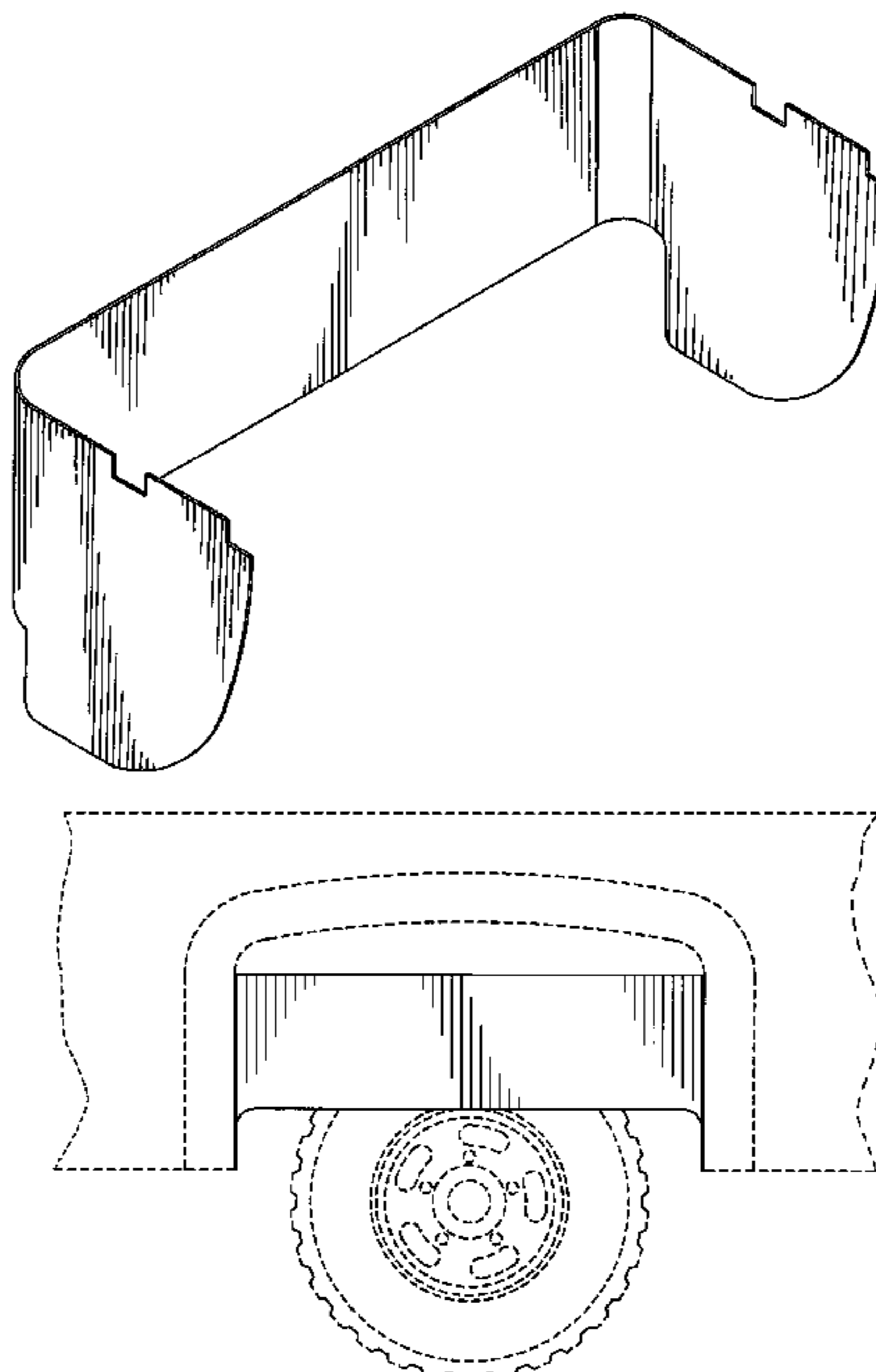
FIG. 6 is a front elevational view thereof;

FIG. 7 is a rear elevational view thereof; and,

FIG. 8 is a front view thereof illustrative of the use of the mud guard.

The portions shown in broken lines are included to show environment and form no part of the claimed design.

**1 Claim, 5 Drawing Sheets**



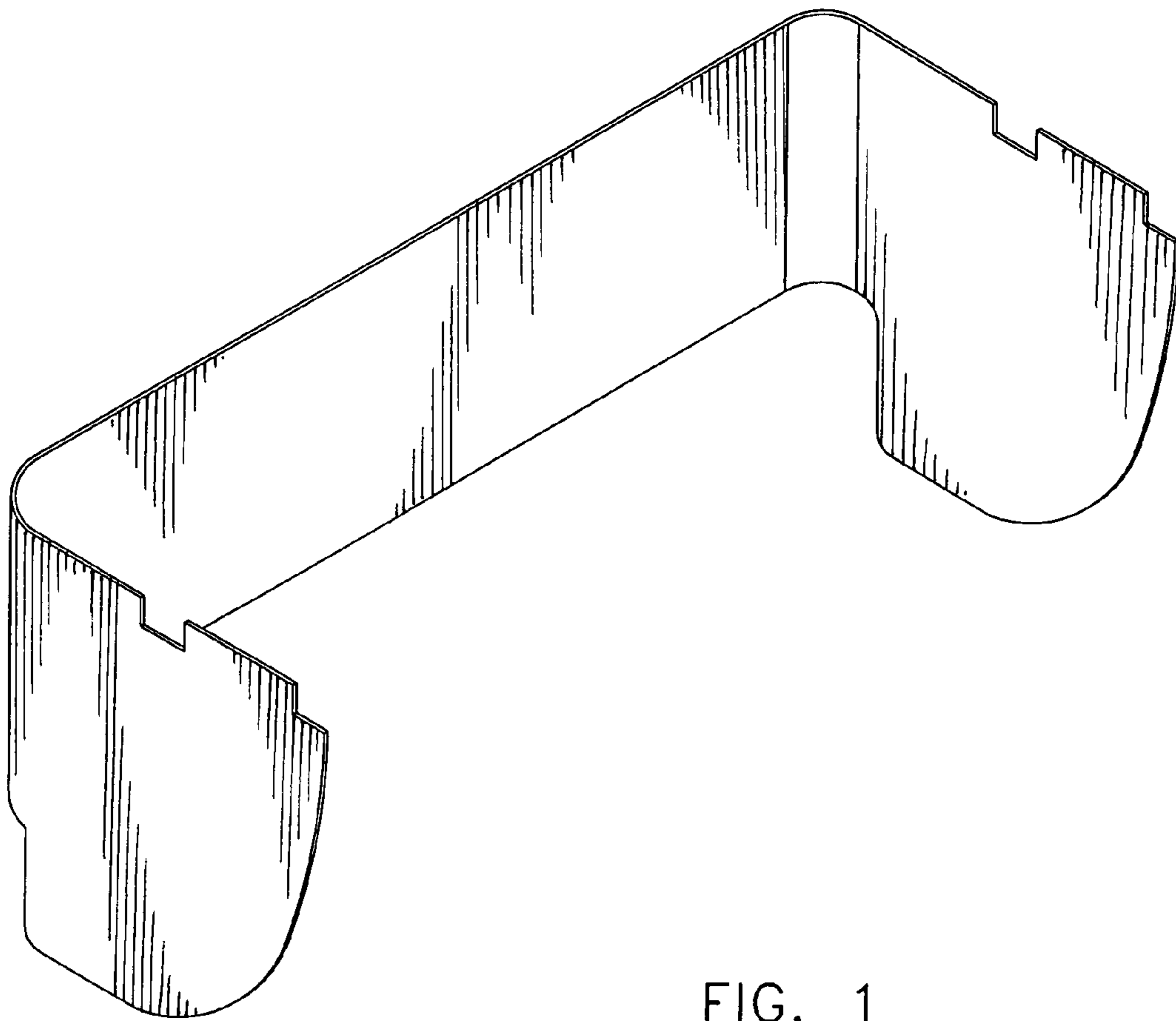


FIG. 1

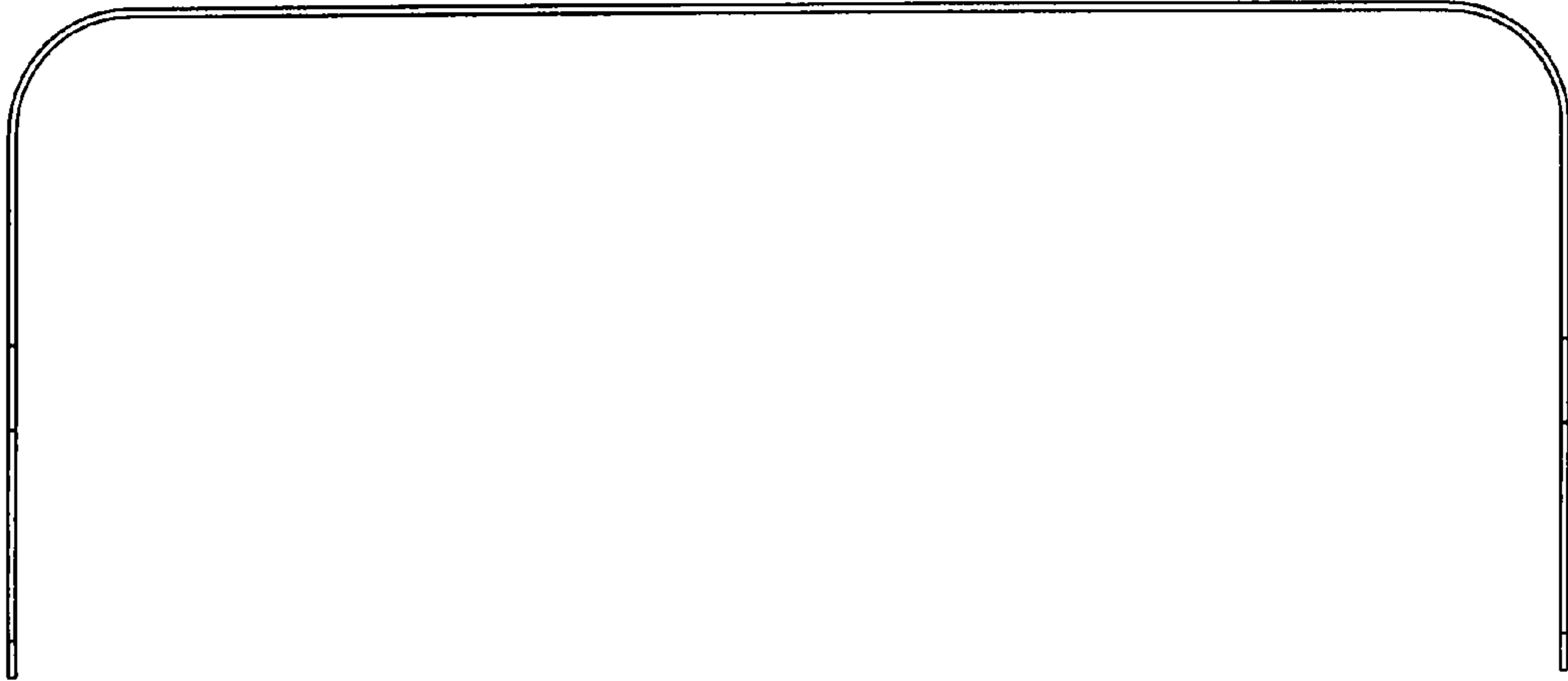


FIG. 2

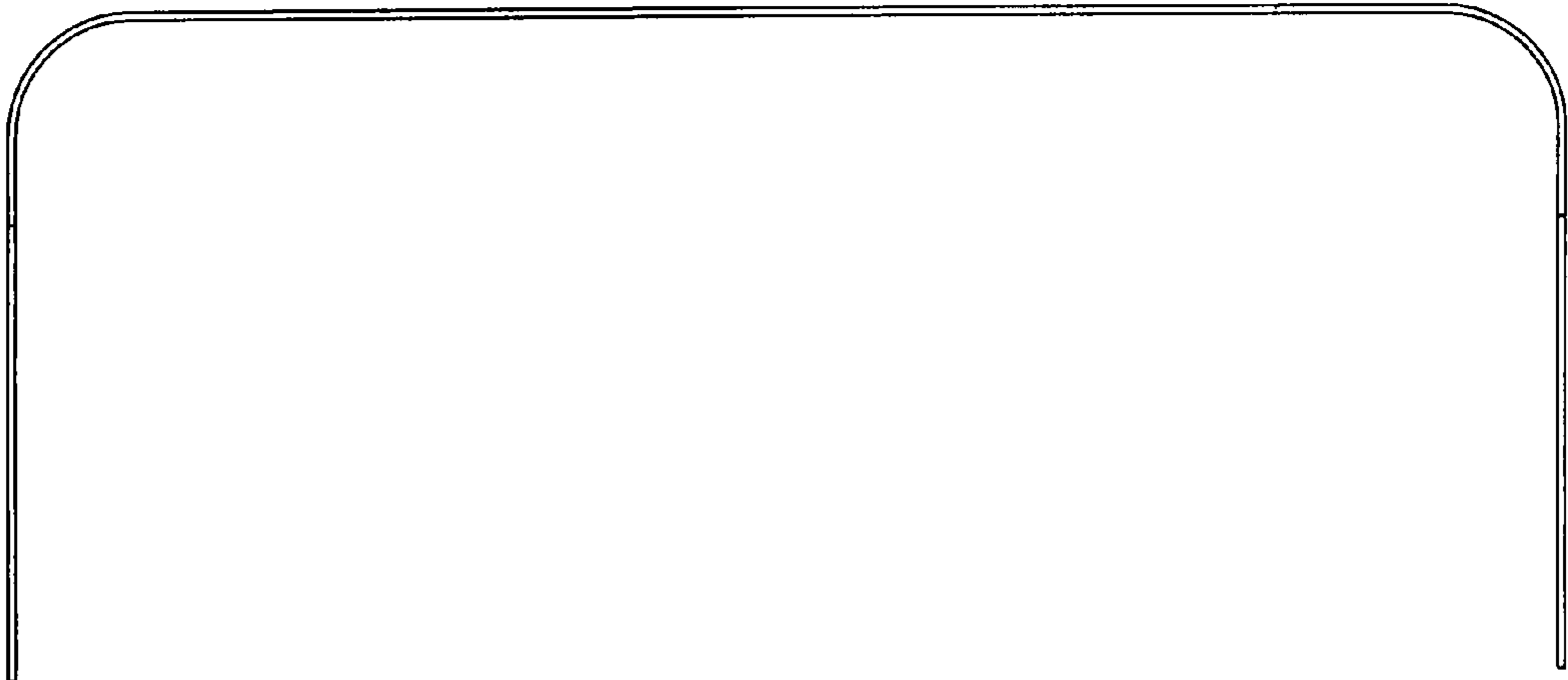


FIG. 3

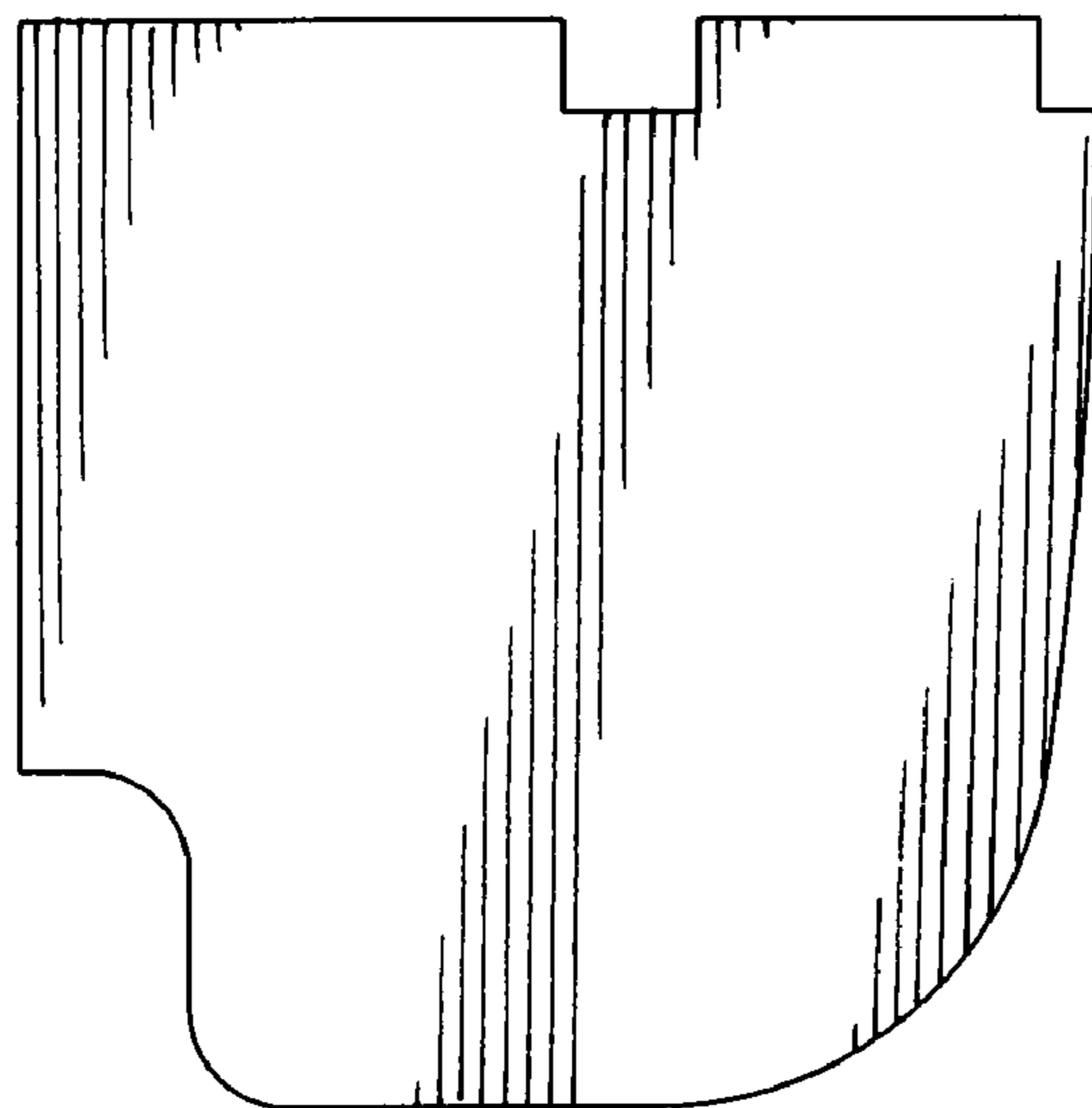


FIG. 4

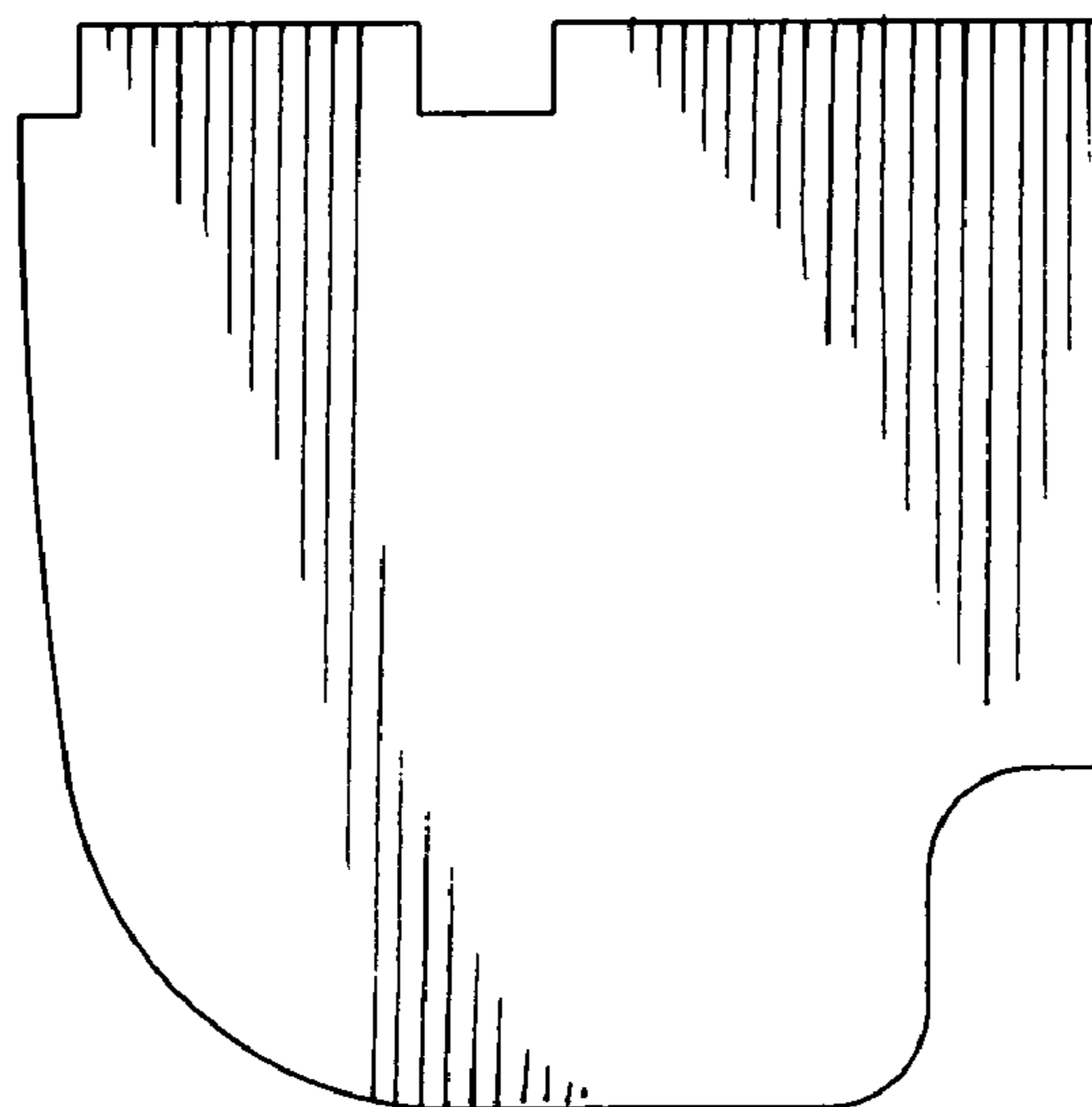


FIG. 5

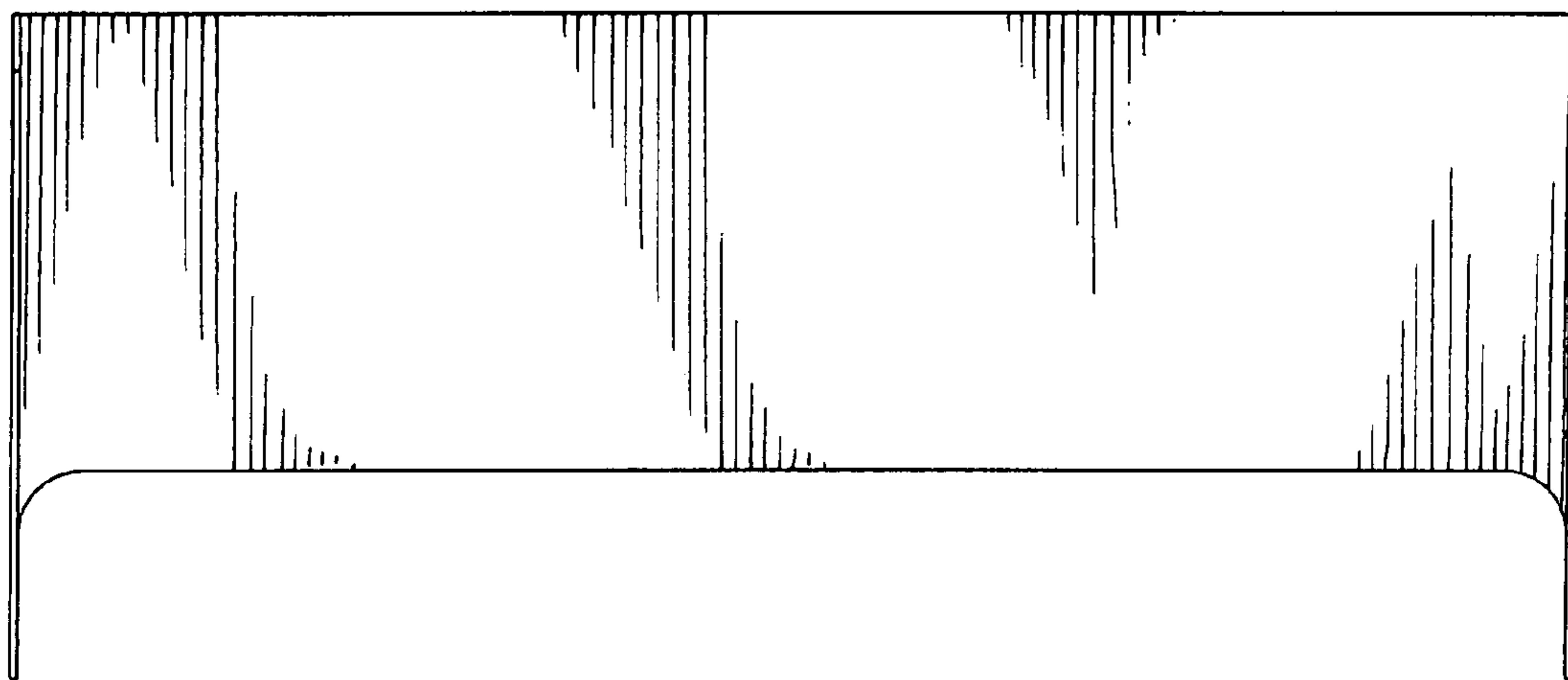


FIG. 6

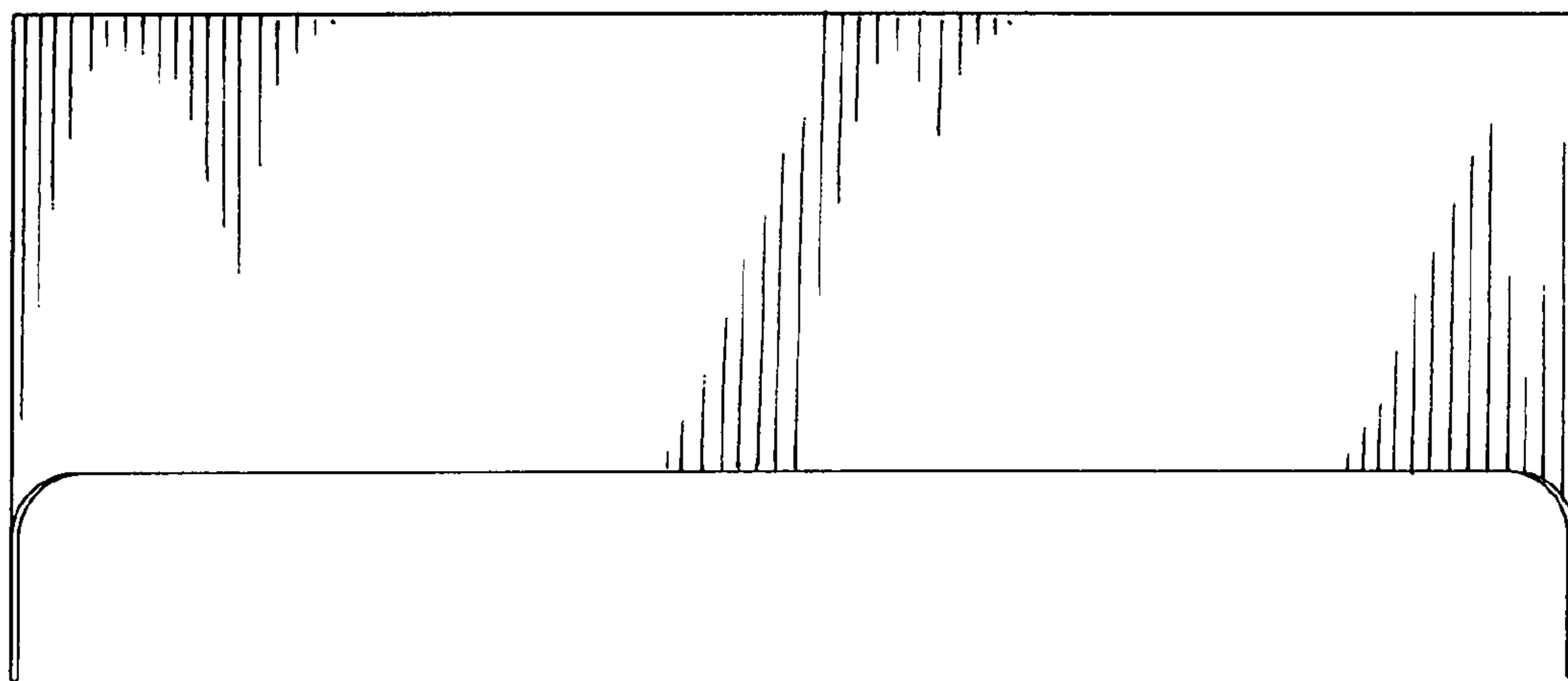


FIG. 7

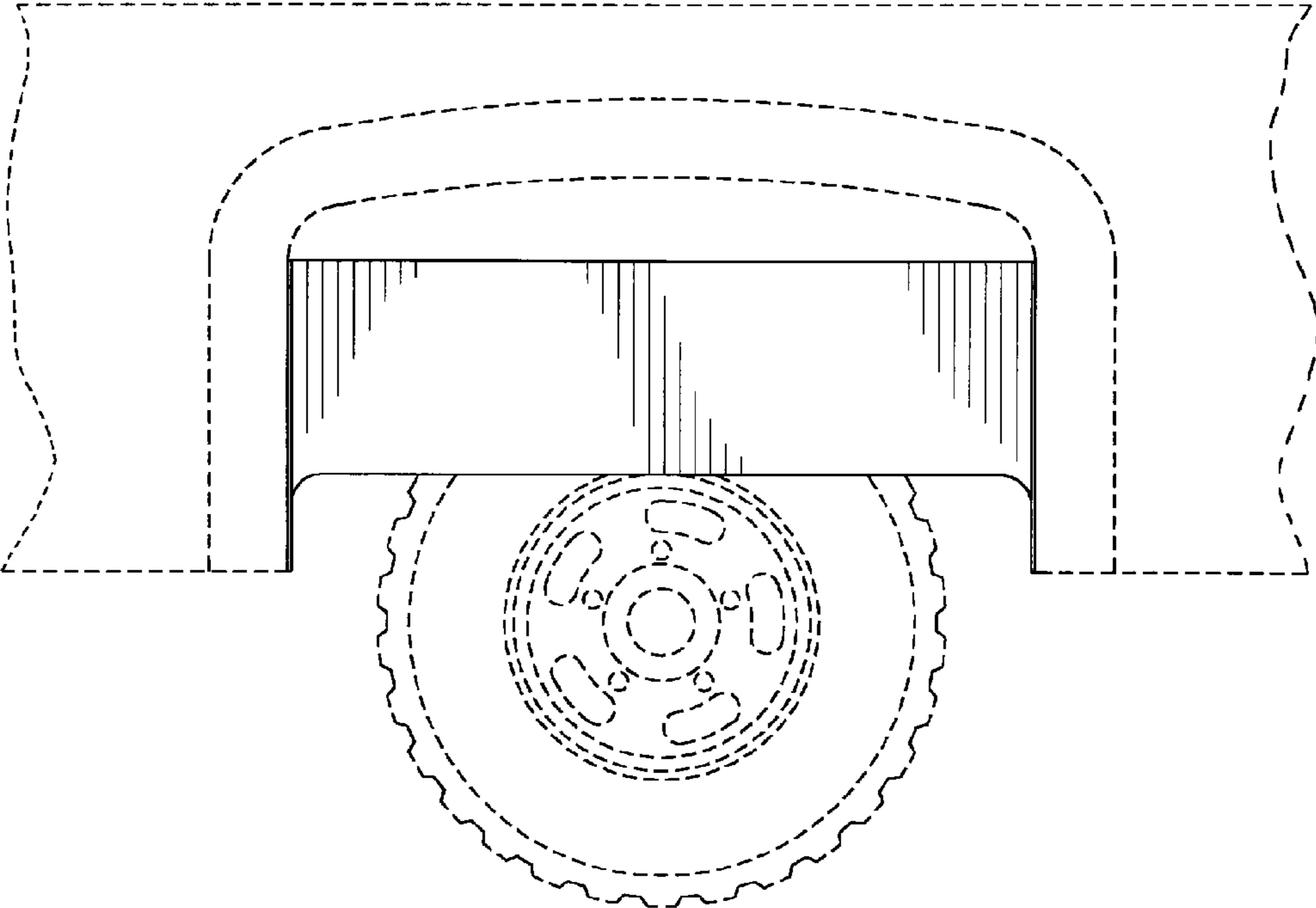


FIG. 8