



US00D579833S

(12) **United States Design Patent**
Acenbrak

(10) **Patent No.:** **US D579,833 S**
(45) **Date of Patent:** **** Nov. 4, 2008**

(54) **ERGONOMIC BIKE SHIFTER**

(57) **CLAIM**

(76) **Inventor:** **Steven D. Acenbrak**, 11855 Mountain Laurel Dr., Roswell, GA (US) 30075

The ornamental design for an ergonomic bike shifter, as shown and described.

(**) **Term:** **14 Years**

DESCRIPTION

(21) **Appl. No.:** **29/279,423**

(22) **Filed:** **Apr. 30, 2007**

(51) **LOC (8) Cl.** **12-16**

(52) **U.S. Cl.** **D12/179**

(58) **Field of Classification Search** D12/111,
D12/178-180; 74/488, 489, 502.2, 523,
74/473.12-473.14, 551.1-551.9, 471 R, 473.19;
D8/303; 16/110.1, 421, 430, DIG. 12; 116/28.1,
116/309, 316; 474/70-83, 166-171
See application file for complete search history.

FIG. 1 is a top plan view of an ergonomic bike shifter of the present invention that is configured to be mounted to a handle bar of a bicycle;

FIG. 2 is a left side elevational view of the ergonomic bike shifter of FIG. 1;

FIG. 3 is a right side elevational view of the ergonomic bike shifter of FIG. 1;

FIG. 4 is a front elevational view of the ergonomic bike shifter of FIG. 1;

FIG. 5 is a rear elevational view of the ergonomic bike shifter of FIG. 1;

FIG. 6 is a front right perspective view of the ergonomic bike shifter of FIG. 1;

FIG. 7 is a rear right perspective view of the ergonomic bike shifter of FIG. 1; and,

FIG. 8 is a rear left perspective view of the ergonomic bike shifter of FIG. 1.

The broken lines are shown in FIGS. 1-3 and 6-8 for illustrative purposes only and form no part of the claimed design.

(56) **References Cited**

U.S. PATENT DOCUMENTS

- 4,437,357 A * 3/1984 Ozaki et al. 74/473.13
- 4,627,305 A * 12/1986 Hosokawa 74/489
- D422,194 S * 4/2000 Knodt et al. D8/303
- D548,655 S * 8/2007 Barrow et al. D12/179

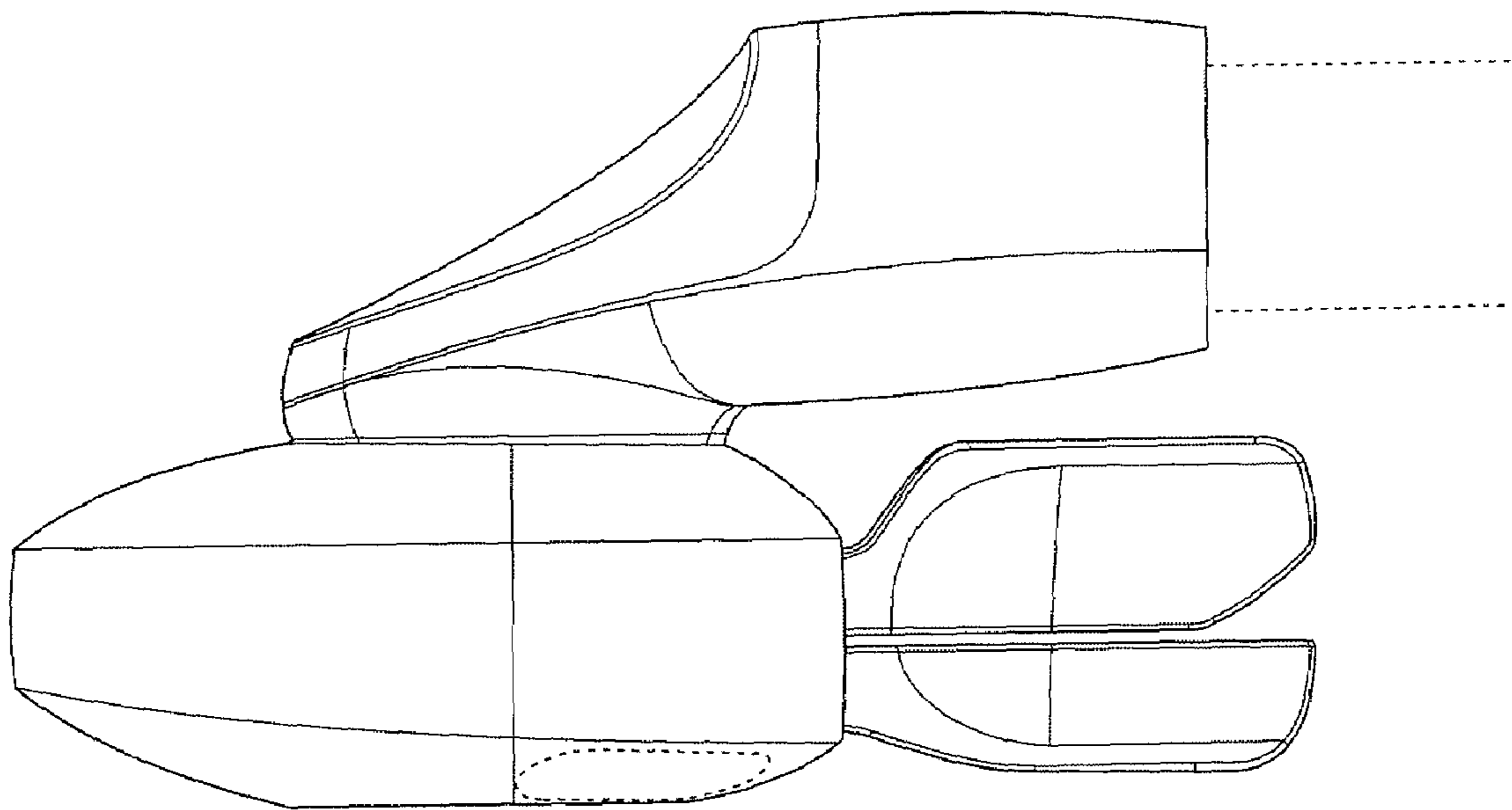
* cited by examiner

Primary Examiner—Cathron Brooks

Assistant Examiner—Linda Brooks

(74) *Attorney, Agent, or Firm*—Needle & Rosenberg, P.C.

1 Claim, 4 Drawing Sheets



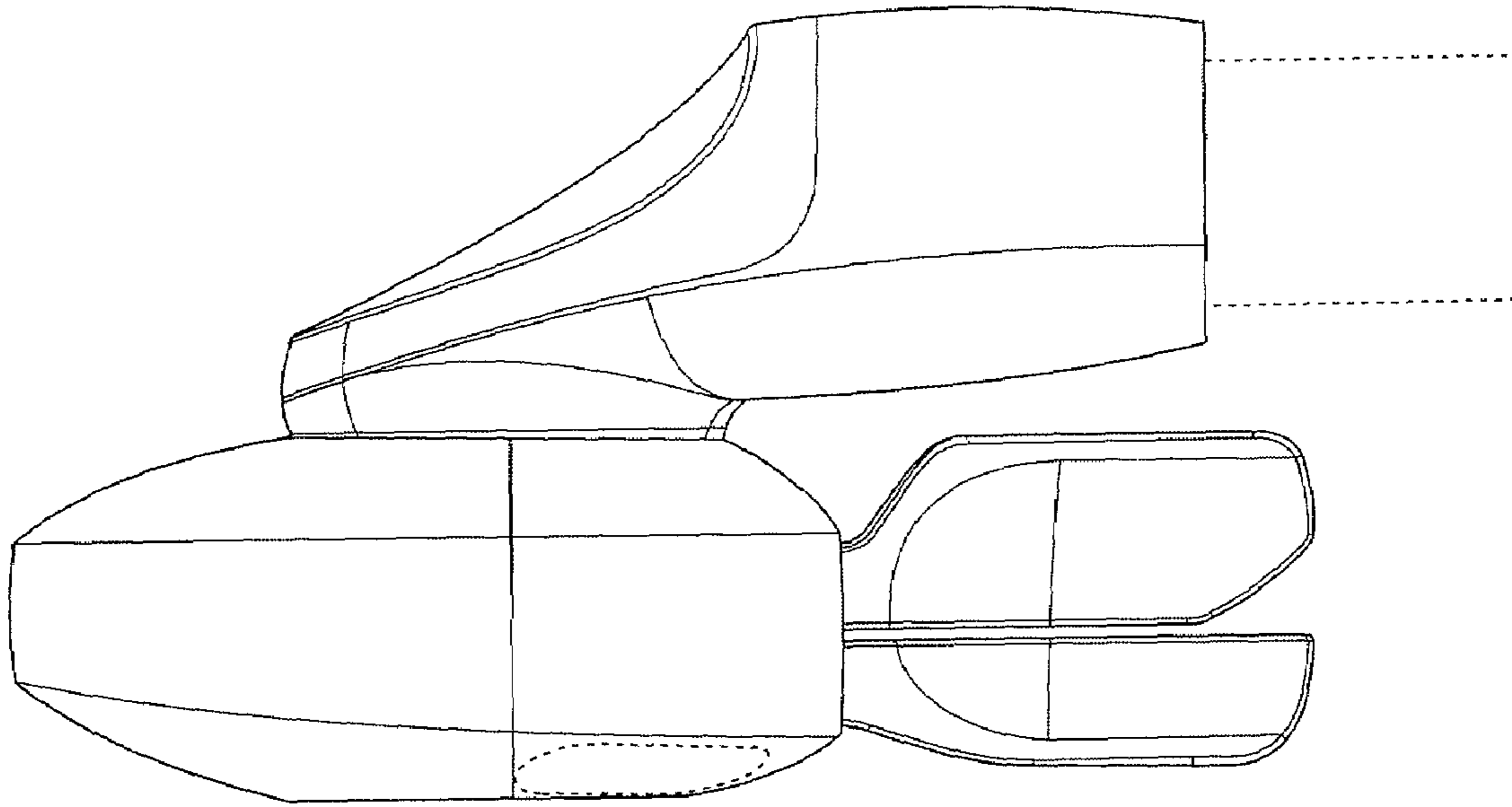


Fig. 1

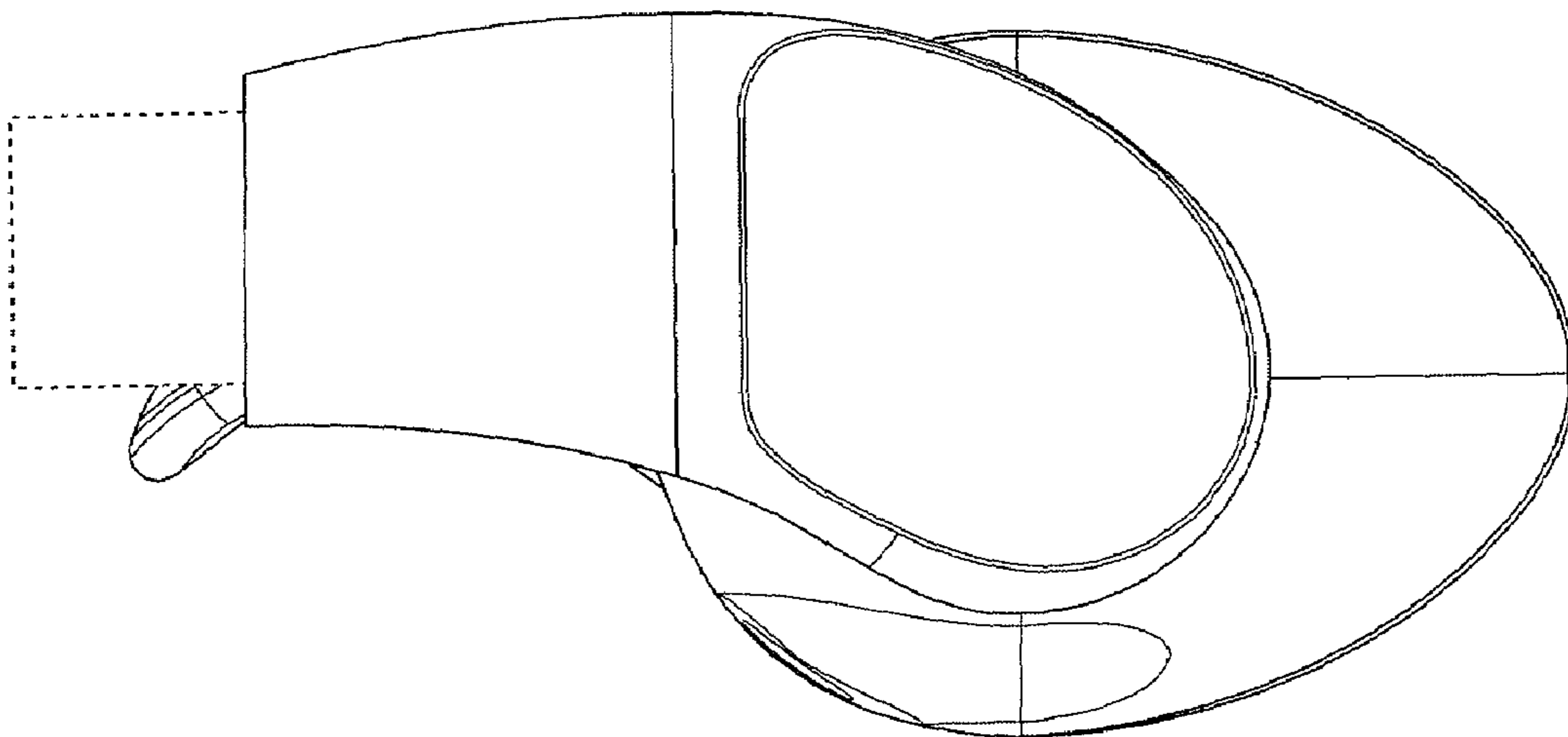


Fig. 2

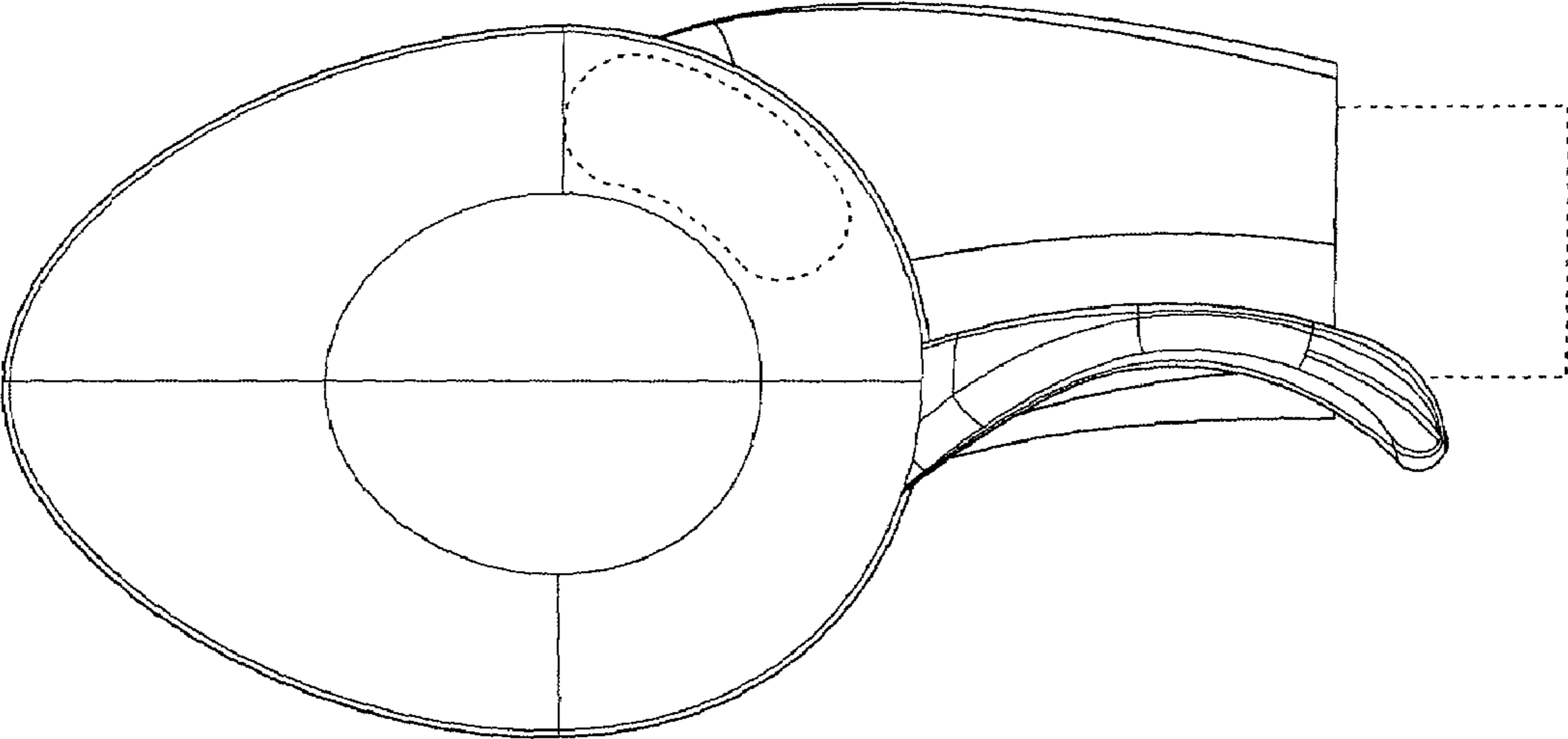


Fig. 3

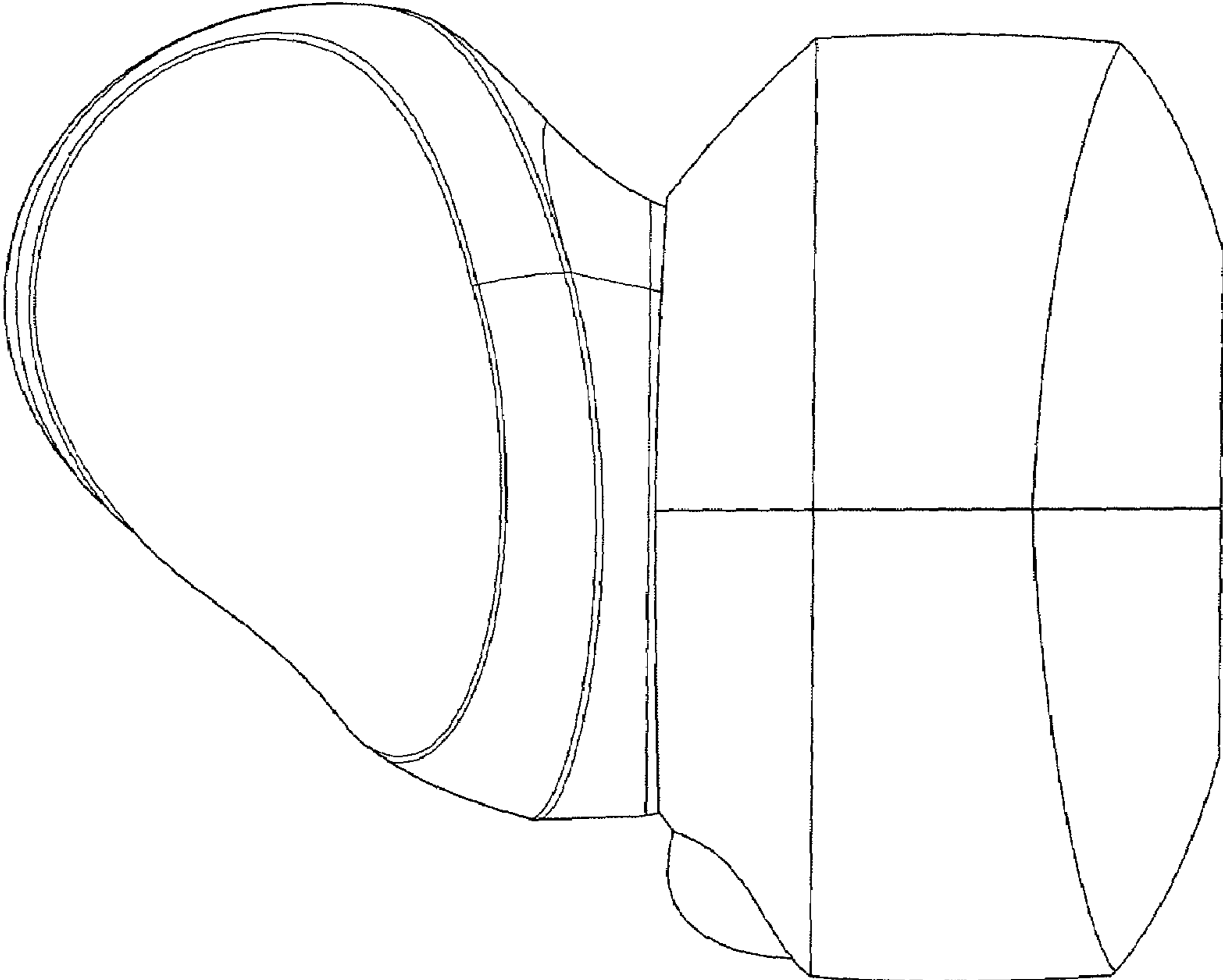


Fig. 4

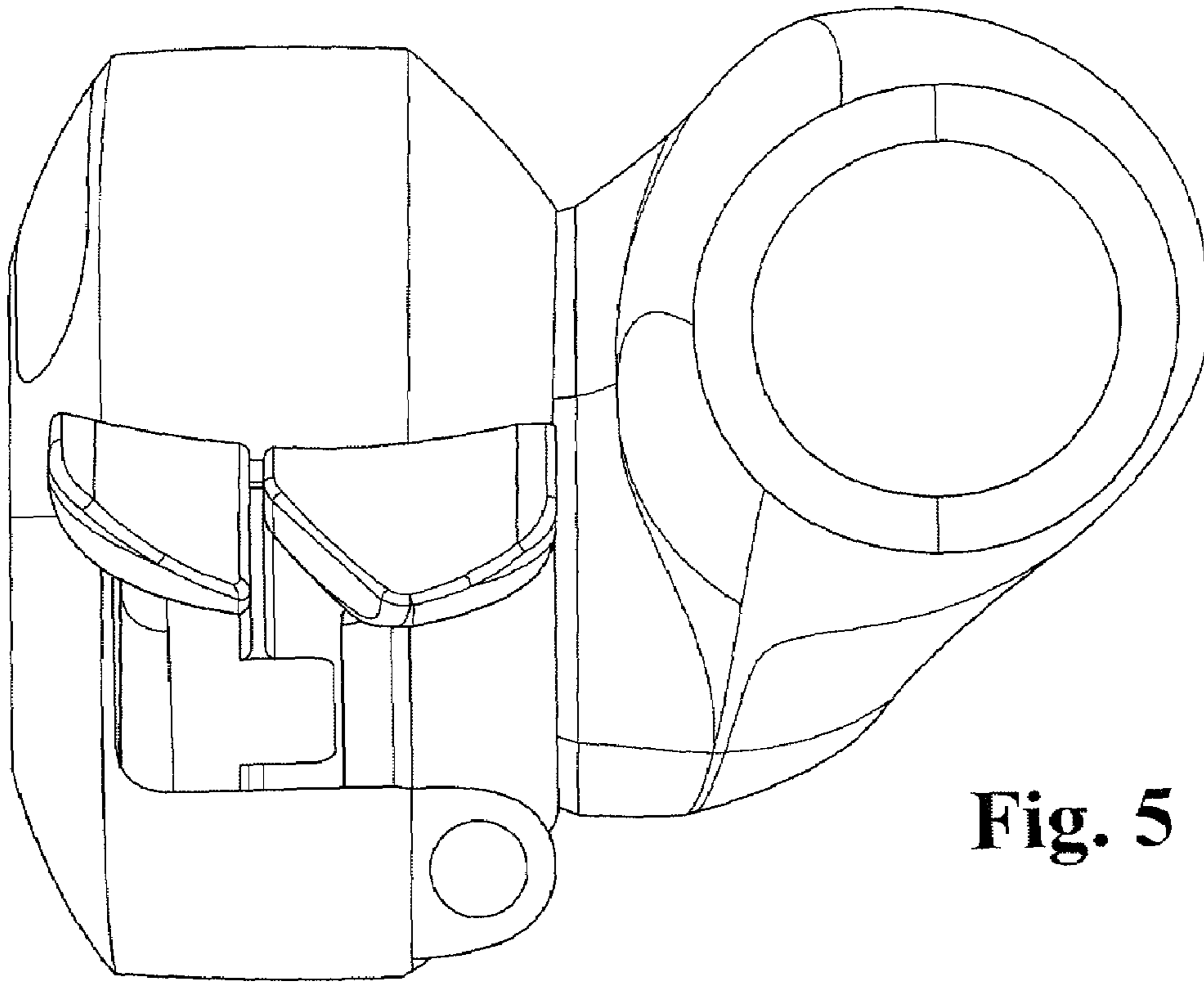


Fig. 5

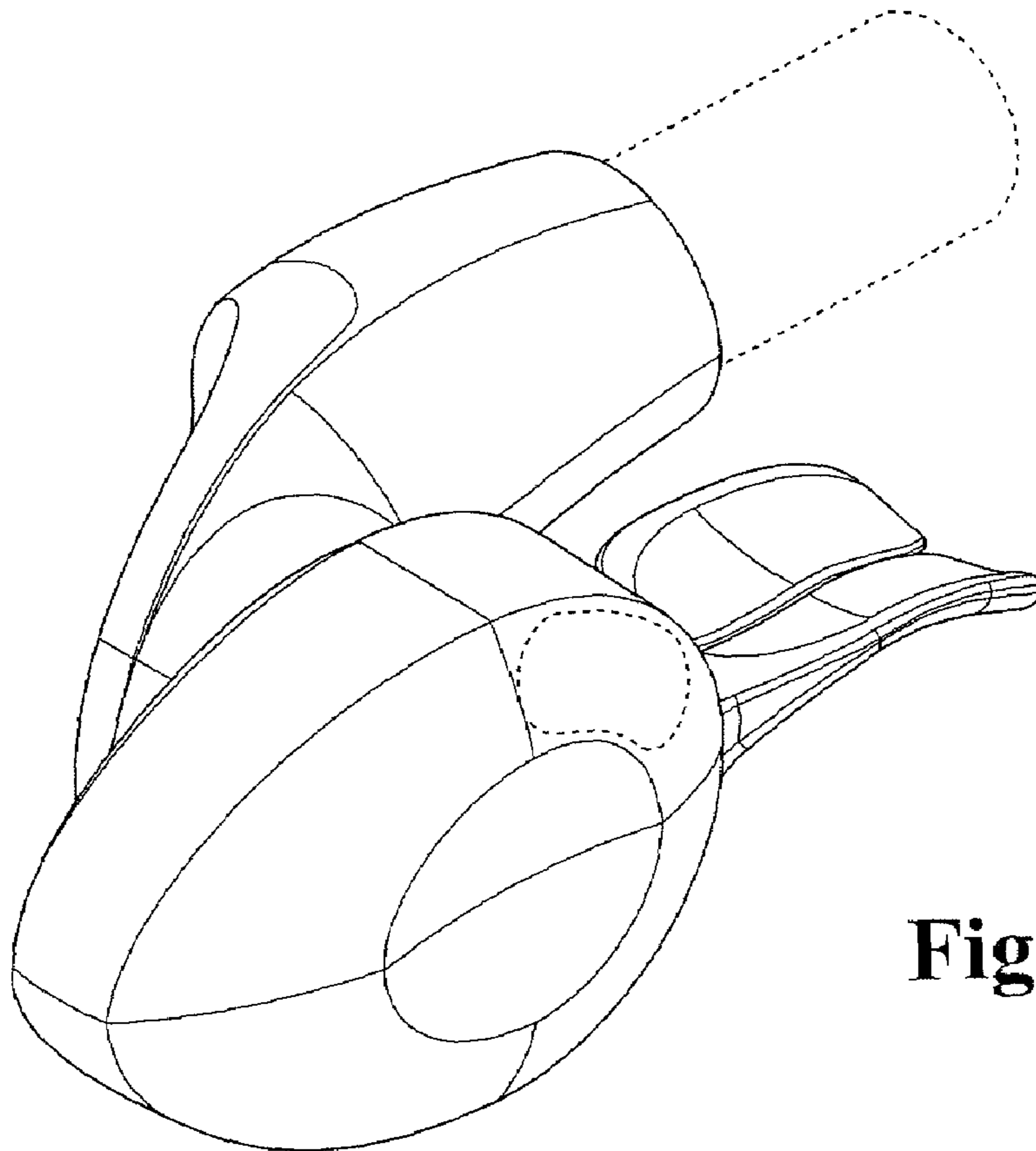


Fig. 6

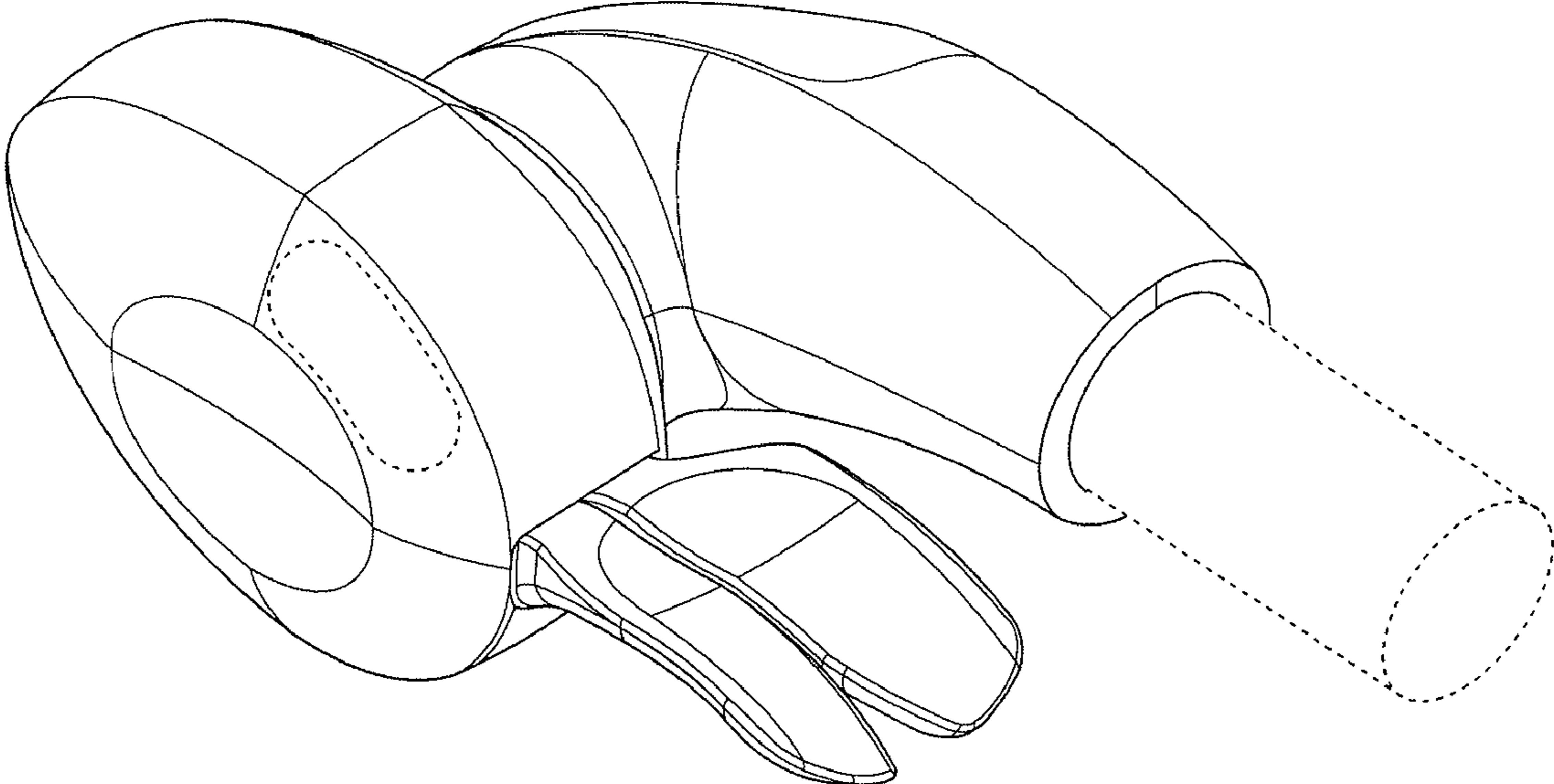


Fig. 7

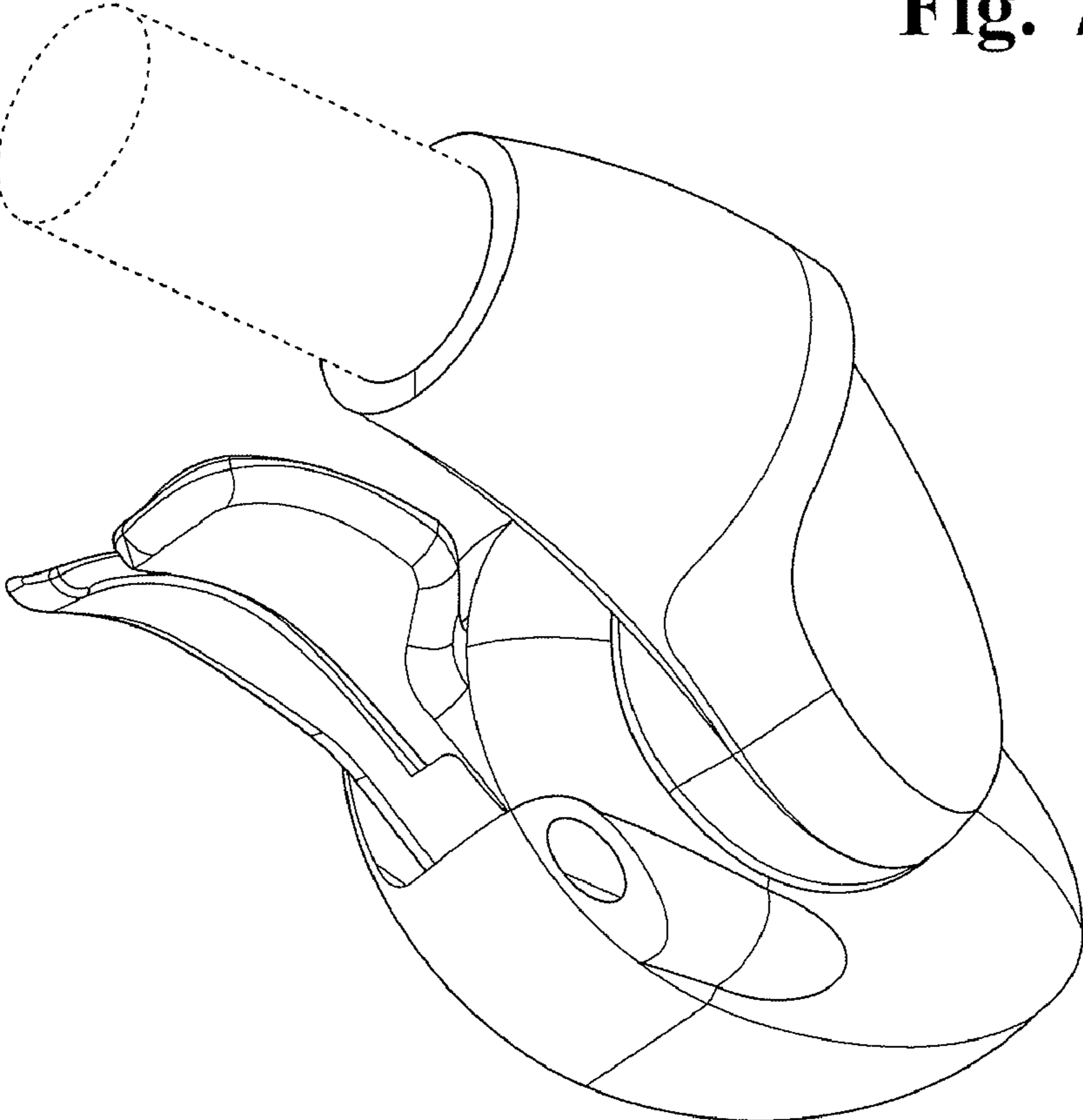


Fig. 8