



US00D579832S

(12) **United States Design Patent**  
**Opfer et al.**

(10) **Patent No.:** **US D579,832 S**

(45) **Date of Patent:** **\*\* Nov. 4, 2008**

(54) **VEHICLE HOOD**

(75) Inventors: **John G Opfer**, Rochester, MI (US);  
**Mark Surel**, Ferndale, MI (US); **Dennis Myles**, Bloomfield, MI (US)

(73) Assignee: **Chrysler LLC**, Auburn Hills, MI (US)

(\*\*) Term: **14 Years**

(21) Appl. No.: **29/303,117**

(22) Filed: **Feb. 1, 2008**

(51) **LOC (8) Cl.** ..... **12-16**

(52) **U.S. Cl.** ..... **D12/173**

(58) **Field of Classification Search** ..... D12/173,  
D12/196, 86, 90-92; 180/69.21, 69.2, 69.22  
See application file for complete search history.

(56) **References Cited**

U.S. PATENT DOCUMENTS

D570,753 S *	6/2008	Sato et al. ....	D12/173
D572,640 S *	7/2008	Zimmermann et al. ....	D12/173
D575,701 S *	8/2008	Zavatski et al. ....	D12/173

\* cited by examiner

*Primary Examiner*—Melody N Brown  
(74) *Attorney, Agent, or Firm*—Ralph E. Smith

(57) **CLAIM**

The ornamental design for a vehicle hood, as shown and described.

**DESCRIPTION**

FIG. 1 is a front perspective view of a vehicle hood showing our new design;

FIG. 2 is a rear perspective view thereof;

FIG. 3 is a front view thereof;

FIG. 4 is a top plan view thereof;

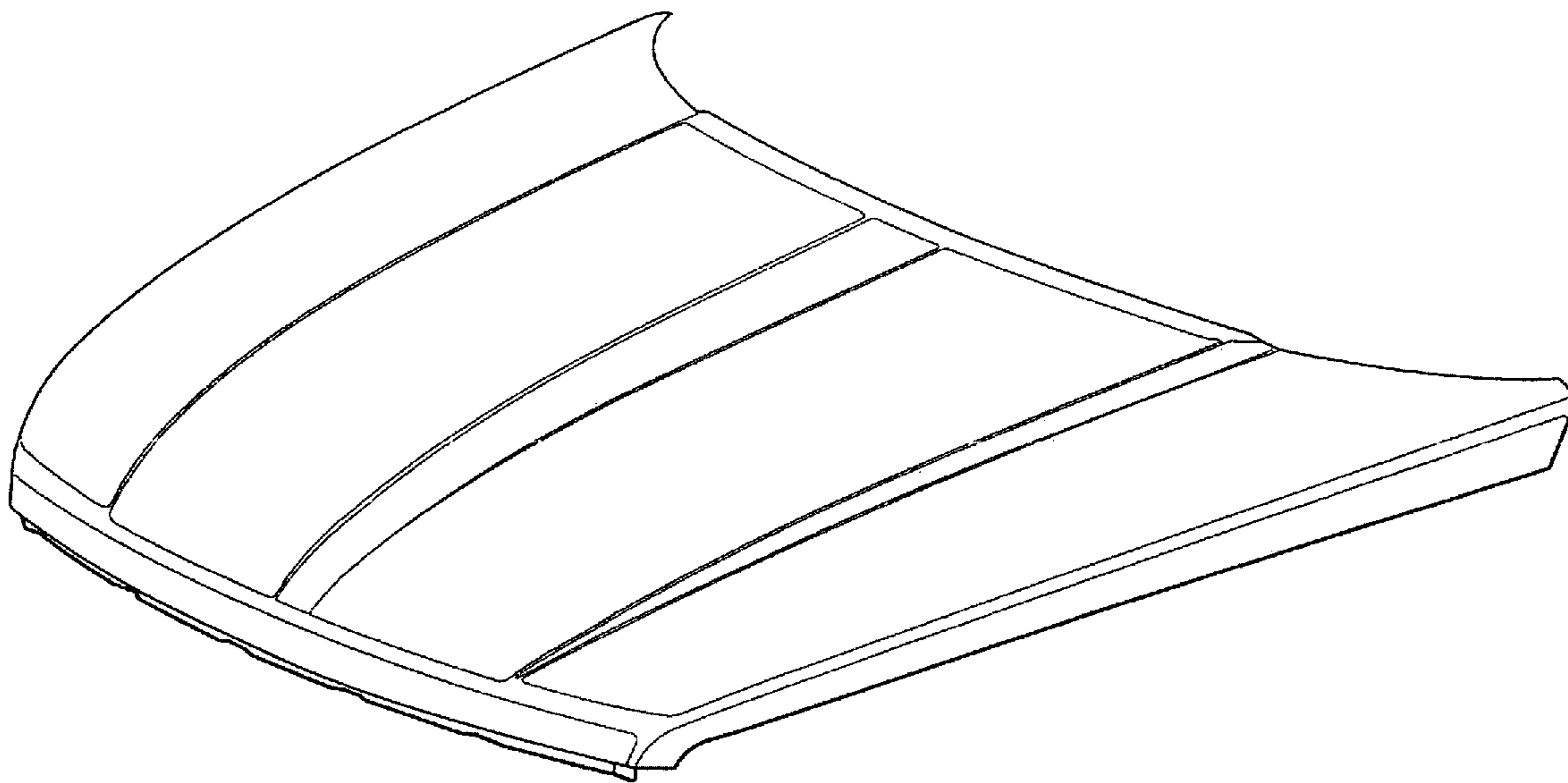
FIG. 5 is a side view, the opposite side being a mirror image thereof;

FIG. 6 is a rear view thereof; and,

FIG. 7 is a bottom plan view thereof.

It will be understood that the broken lines presented in the drawings are for illustration only, and do not form a part of the claimed design.

**1 Claim, 7 Drawing Sheets**



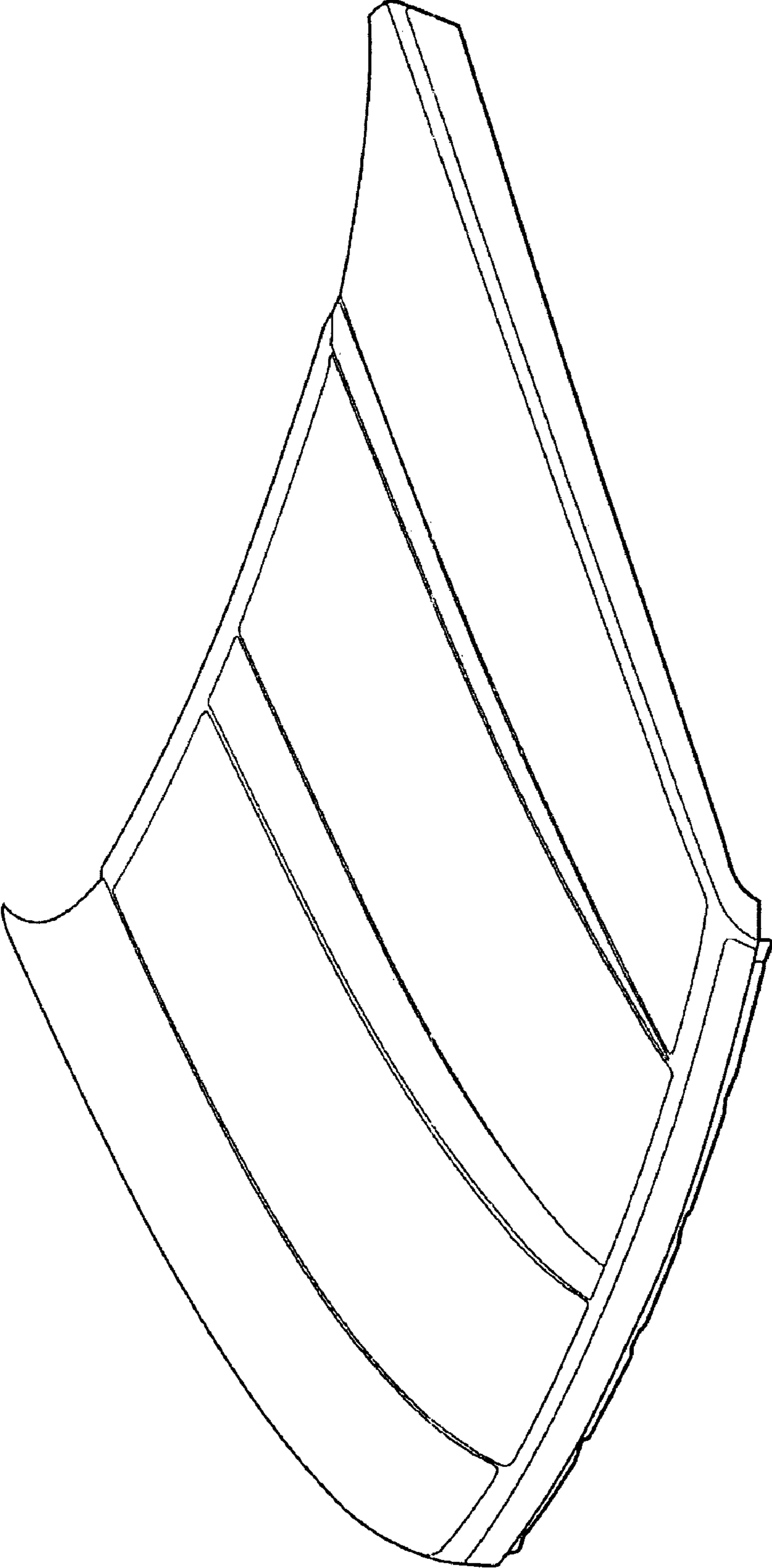


FIG - 1

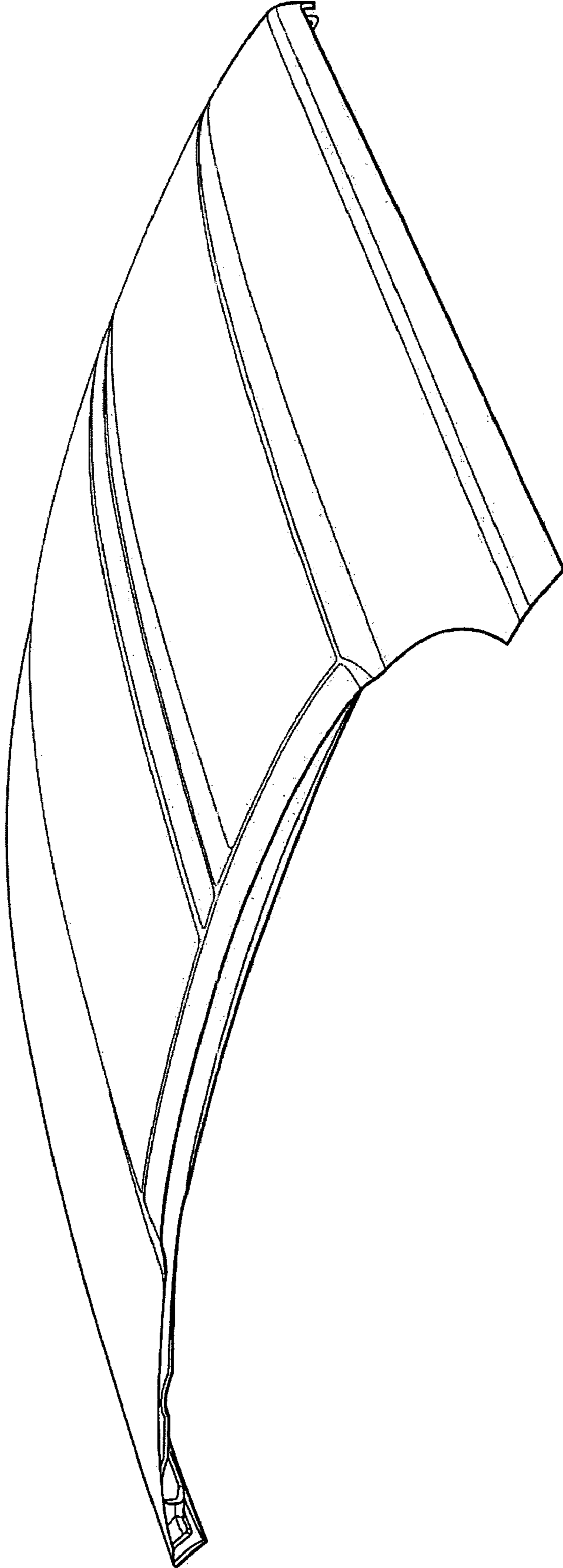
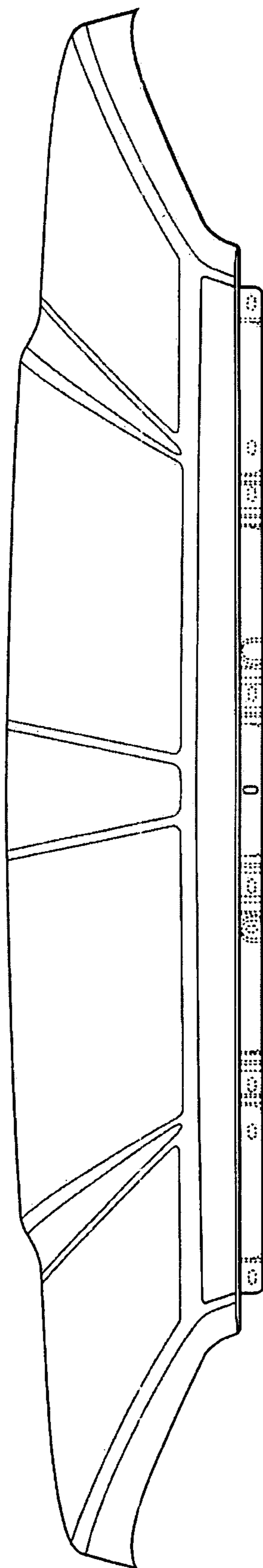


FIG - 2

FIG - 3



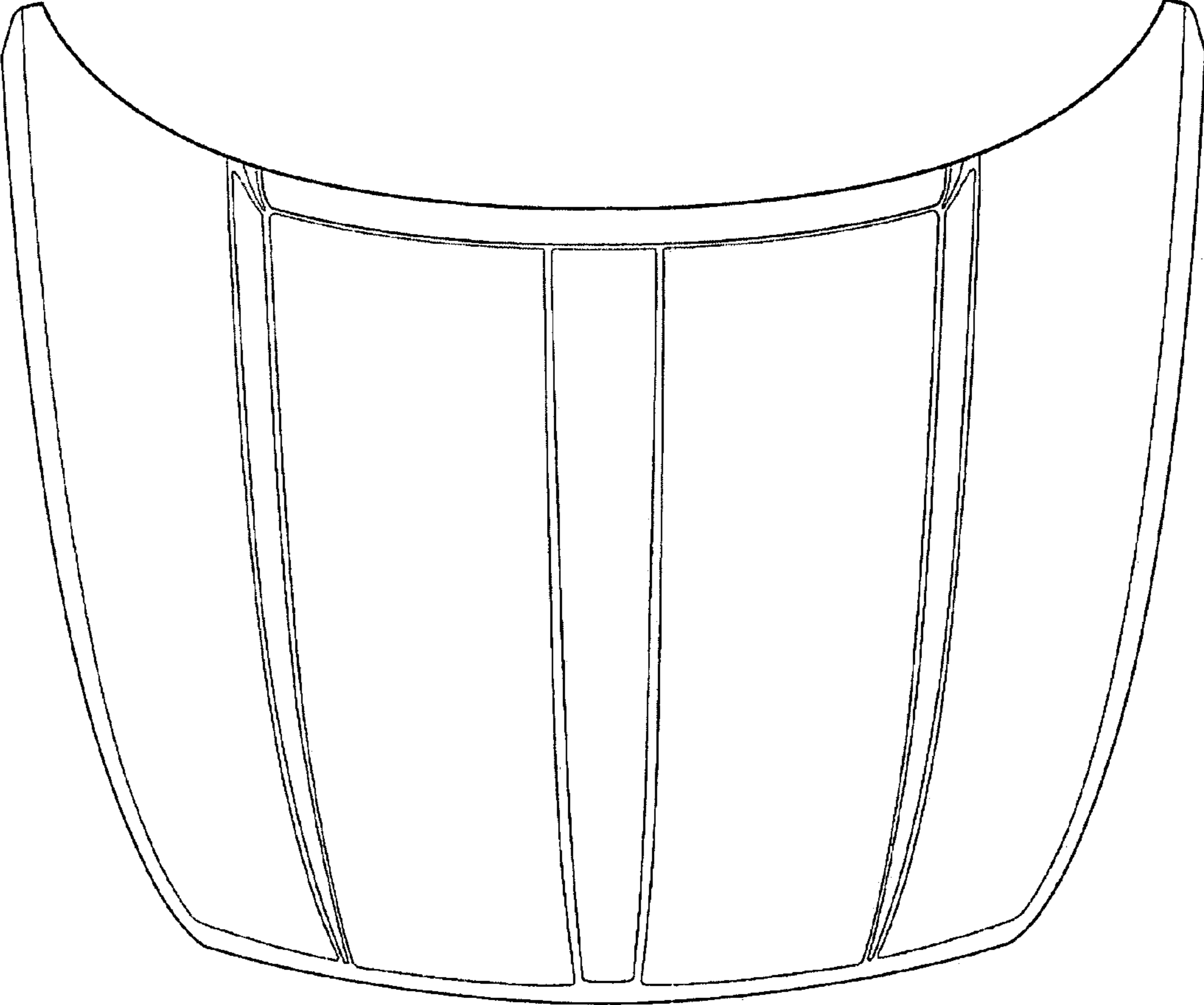


FIG - 4

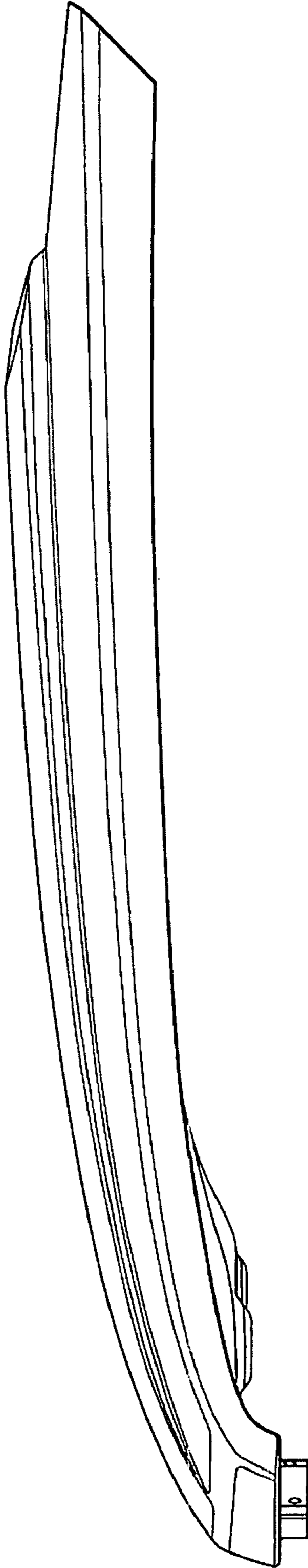
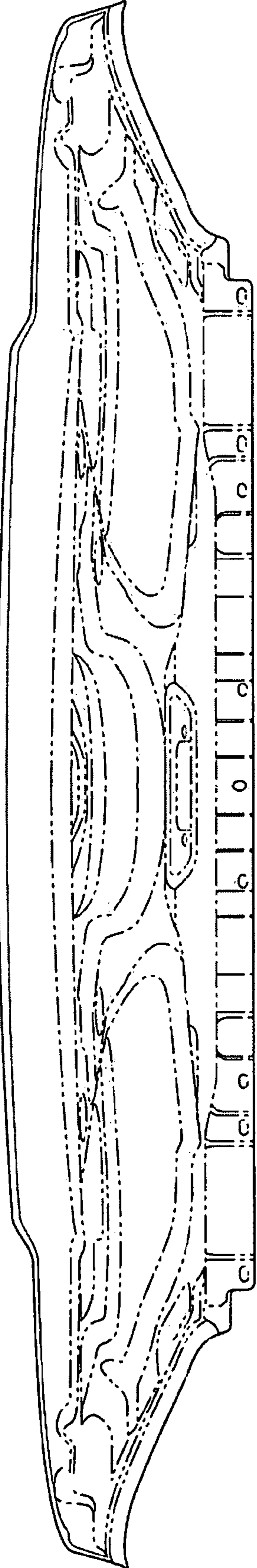


FIG - 5

FIG - 6



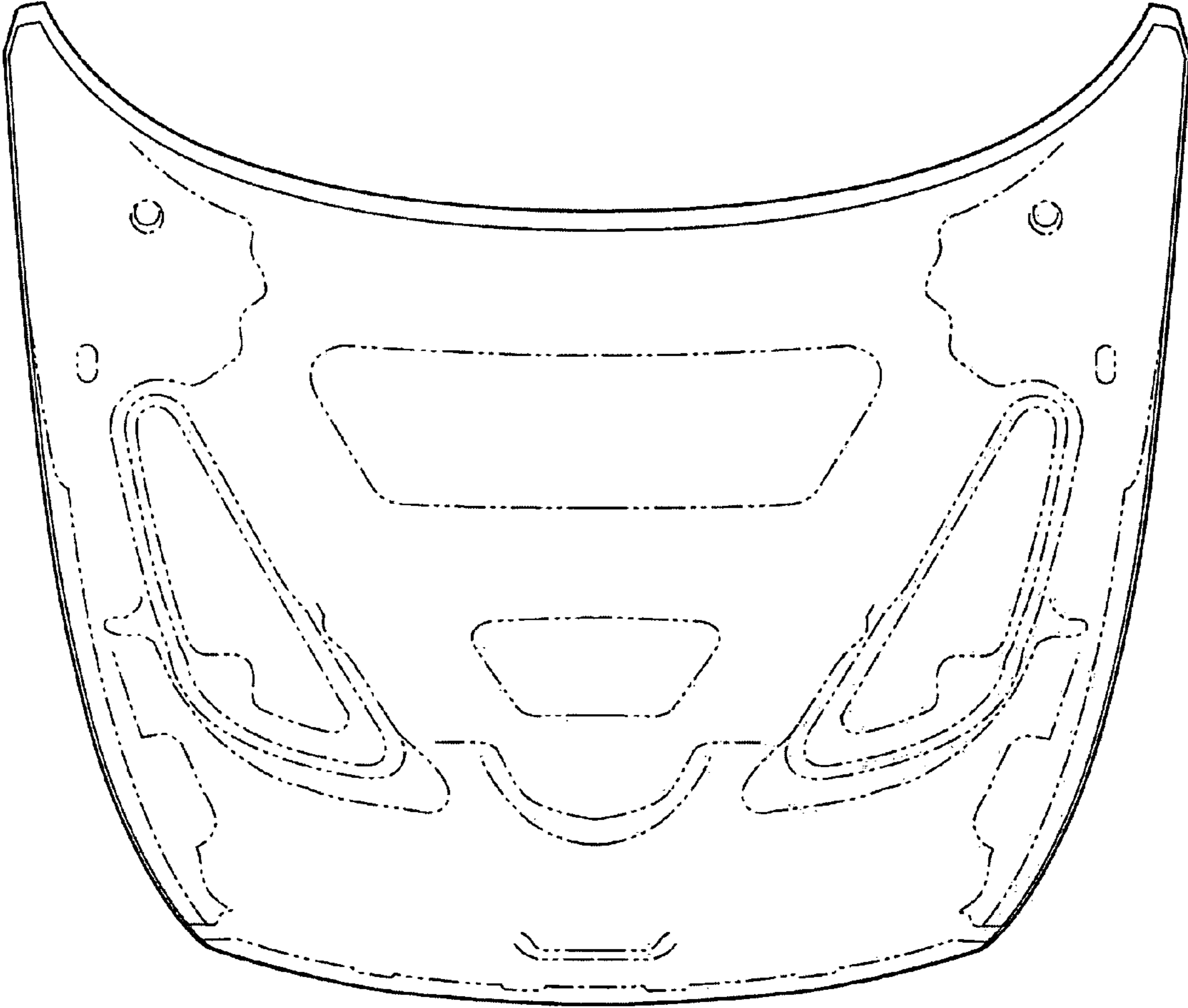


FIG - 7