



US00D579829S

(12) **United States Design Patent**
Hokao et al.

(10) **Patent No.:** **US D579,829 S**
(45) **Date of Patent:** **** Nov. 4, 2008**

(54) **FRONT GRILLE FOR AN AUTOMOBILE**

(75) Inventors: **Hirofumi Hokao**, Toyota (JP);
Yoshiharu Nakajima, Toyota (JP)
(73) Assignee: **Toyota Jidosha Kabushiki Kaisha** (JP)
(**) Term: **14 Years**
(21) Appl. No.: **29/285,248**
(22) Filed: **Mar. 23, 2007**

(30) **Foreign Application Priority Data**
Sep. 27, 2006 (JP) 2006-25902

(51) **LOC (8) Cl.** **12-16**
(52) **U.S. Cl.** **D12/163**
(58) **Field of Classification Search** D12/163,
D12/171, 90-92, 216, 169, 196; 180/68.1,
180/68.6; 296/193.11; 293/102, 113, 115
See application file for complete search history.

(56) **References Cited**
U.S. PATENT DOCUMENTS

D534,104 S	*	12/2006	Miyata et al.	D12/163
D535,222 S	*	1/2007	Onoue et al.	D12/163
D535,590 S	*	1/2007	Hogios	D12/163
D538,716 S	*	3/2007	Hogios	D12/163

OTHER PUBLICATIONS

Nissan, Liberty, Brochure of Liberty, May 2004, Nissan Motor Co., Ltd.
Toyota, Mark II, Automotive Guidebook of Japan 2004-2005 vol. 51, Nov. 2, 2004, Japan Automobile Manufacturers Association, Inc.
Toyota, Mark X, Brochure of Mark X, Nov. 2004, Toyota Jidosha Kabushiki Kaisha.

* cited by examiner

Primary Examiner—Melody N. Brown
(74) *Attorney, Agent, or Firm*—SAIDMAN DesignLaw Group

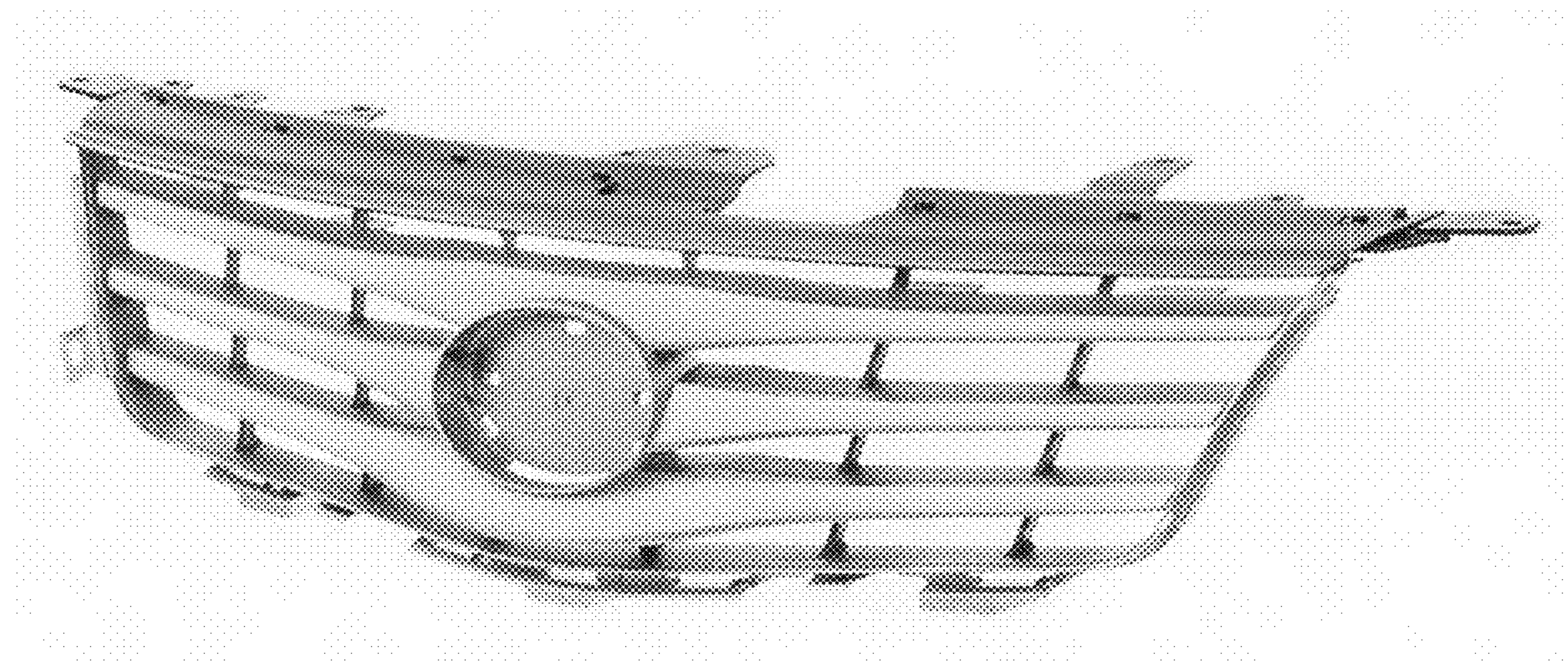
(57) **CLAIM**

The ornamental design for a front grille for an automobile, as shown and described.

DESCRIPTION

FIG. 1 is a perspective view of a front grille for an automobile showing our new design;
FIG. 2 is a front view thereof;
FIG. 3 is a top view thereof;
FIG. 4 is a right-side view thereof; and,
FIG. 5 is a left-side view thereof.

1 Claim, 2 Drawing Sheets



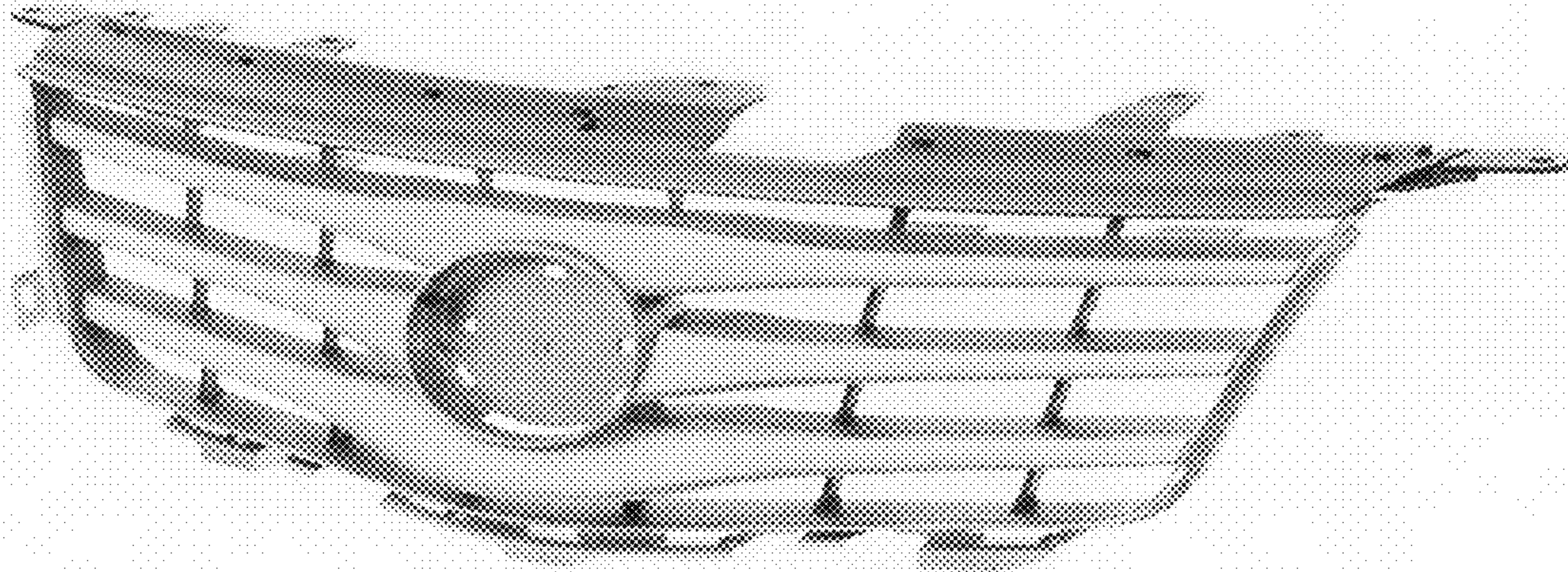


FIG. 1

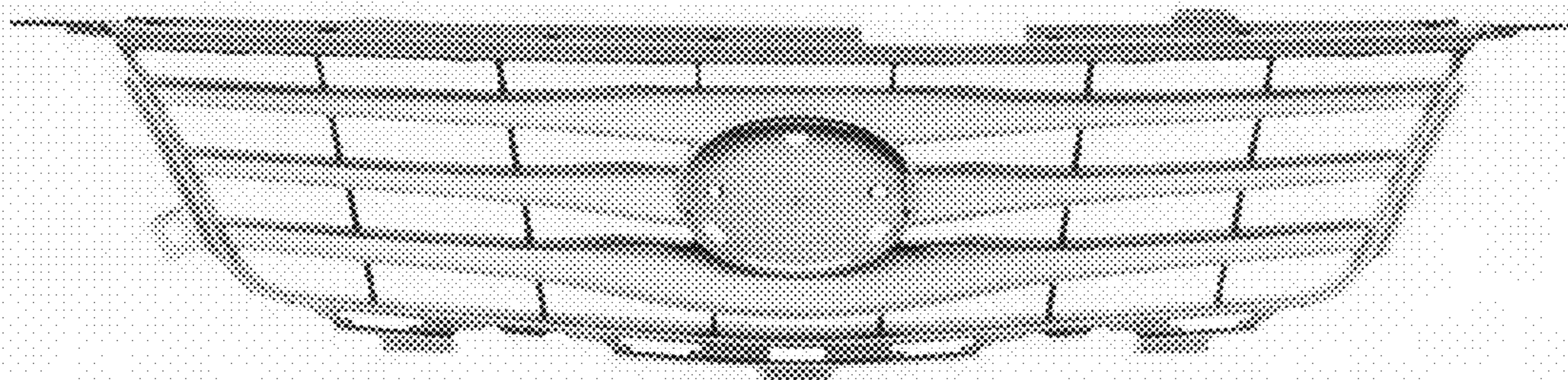


FIG. 2

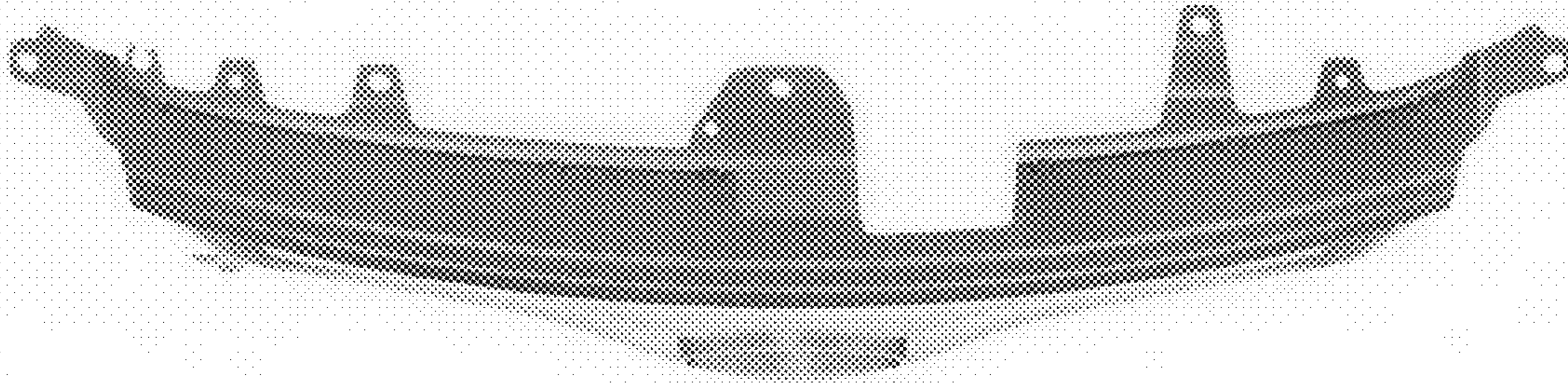


FIG. 3



FIG. 4

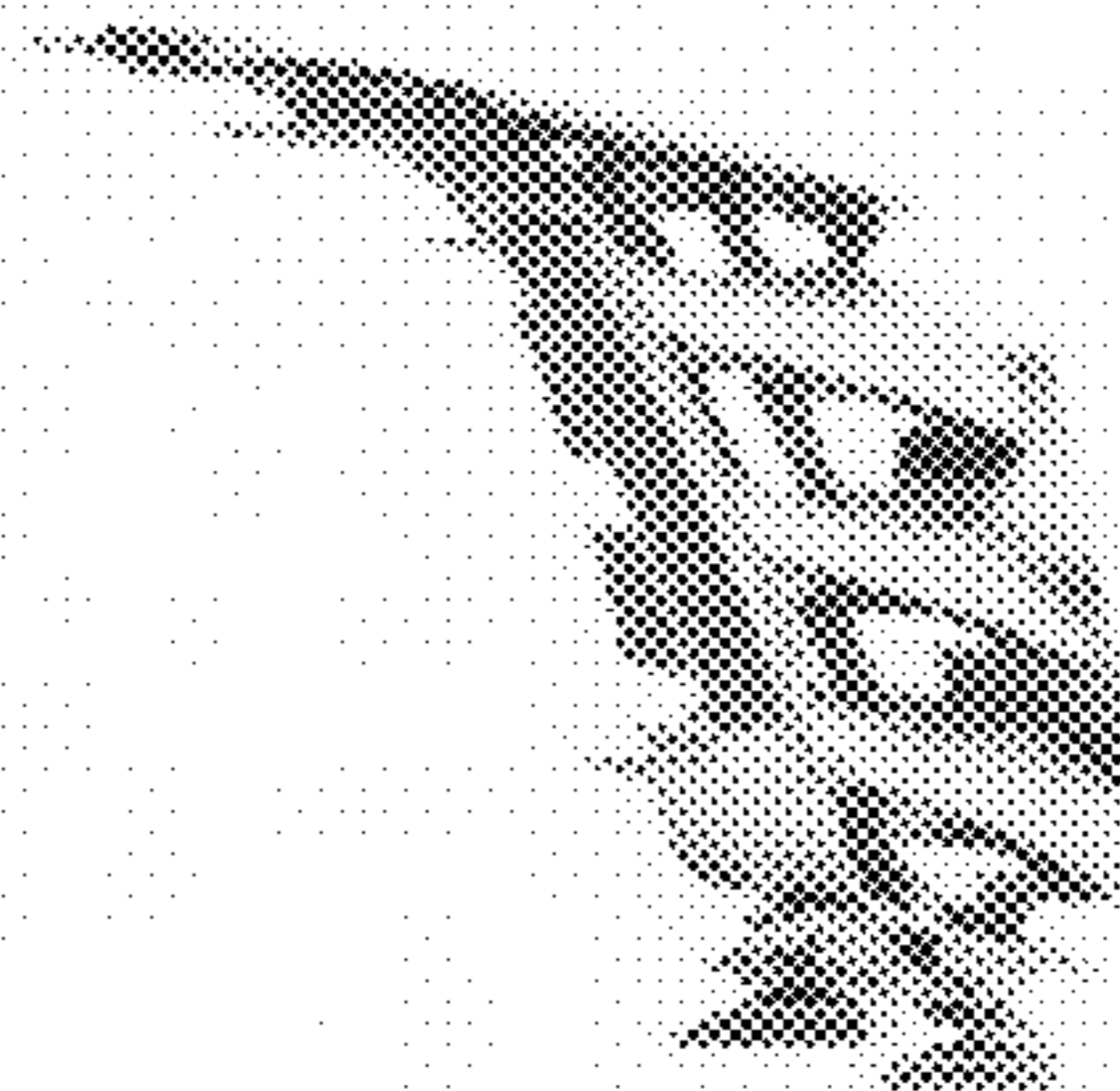


FIG. 5