



US00D579823S

(12) **United States Design Patent**
Choi et al.

(10) **Patent No.:** **US D579,823 S**

(45) **Date of Patent:** **** Nov. 4, 2008**

(54) **VEHICLE EXTERIOR**

(75) Inventors: **Young Choi**, Redondo Beach, CA (US); **Roger Brown**, Corona, CA (US); **Jason Pope**, Canyon Country, CA (US); **Jiro Ikeda**, Manhattan Beach, CA (US); **Chi Jung**, Torrance, CA (US)

(73) Assignee: **Honda Motor Co., Ltd.**, Tokyo (JP)

(**) Term: **14 Years**

(21) Appl. No.: **29/298,814**

(22) Filed: **Dec. 13, 2007**

(51) **LOC (8) Cl.** **12-08**

(52) **U.S. Cl.** **D12/91**

(58) **Field of Classification Search** D12/86,
D12/90-92; 296/181.1, 181.5

See application file for complete search history.

(56) **References Cited**

U.S. PATENT DOCUMENTS

D566,620 S * 4/2008 Cartabiano et al. D12/91
D570,251 S * 6/2008 Nakamura et al. D12/91

* cited by examiner

Primary Examiner—Melody N Brown
(74) *Attorney, Agent, or Firm*—Plumsea Law Group, LLC;
Mark E. Duell

(57) **CLAIM**

The ornamental design for a vehicle exterior, as shown and described.

DESCRIPTION

FIG. 1 is a perspective view of a vehicle exterior showing our new design;

FIG. 2 is a rear perspective view thereof;

FIG. 3 is a side elevational view of one side thereof;

FIG. 4 is a side elevational view of the other side thereof;

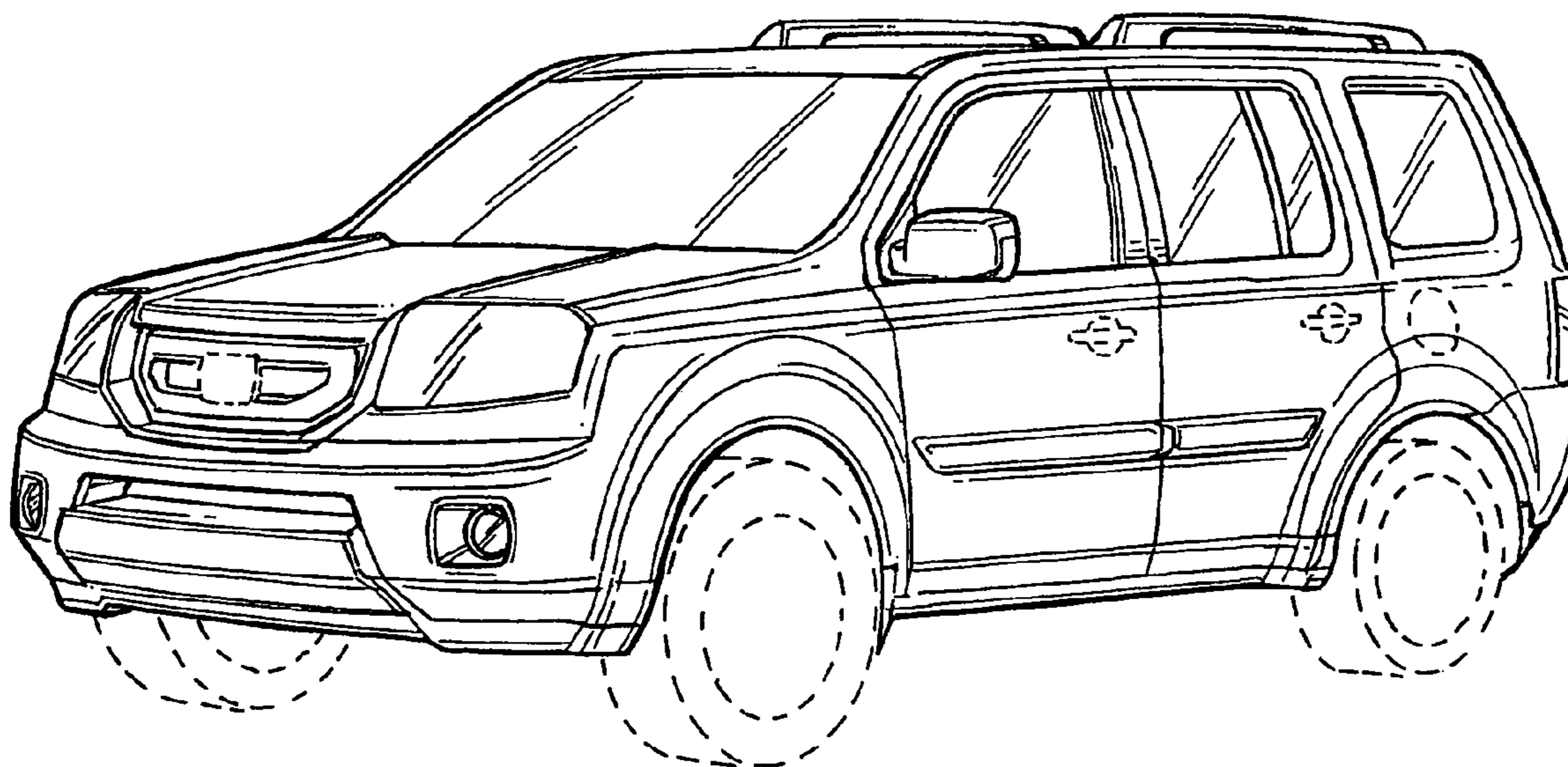
FIG. 5 is a front elevational view thereof;

FIG. 6 is a rear elevational view thereof; and,

FIG. 7 is a top plan view thereof.

The broken line showings of the wheels, tires, door handles, fuel door, grille marquee, front and rear windshield wipers, the sunroof, the rectangle in the license plate area; the rectangle above the license plate area; the tail pipes and the rectangle on the rear hitch are for illustrative purposes only and form no part of the claimed design.

1 Claim, 6 Drawing Sheets



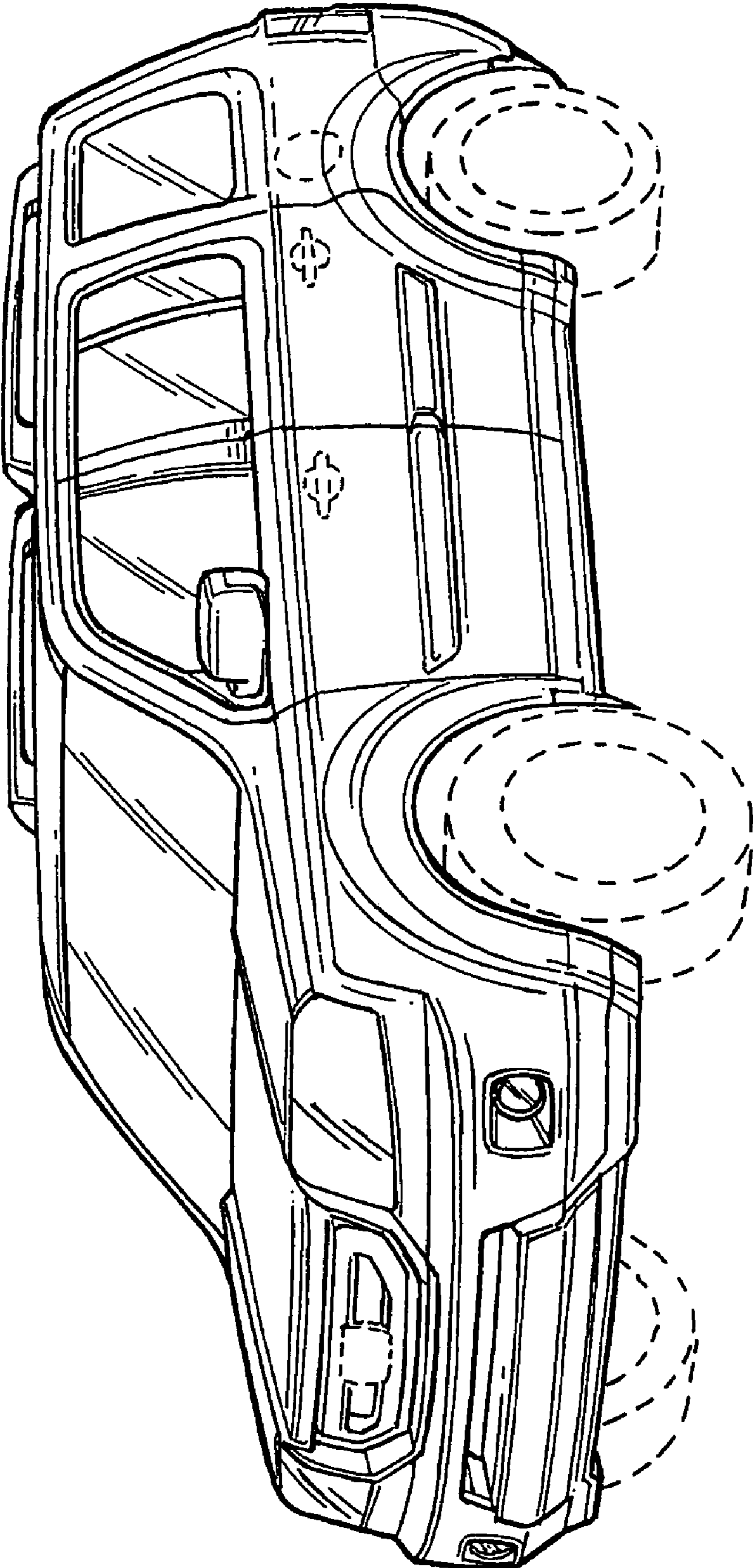


FIG. 1

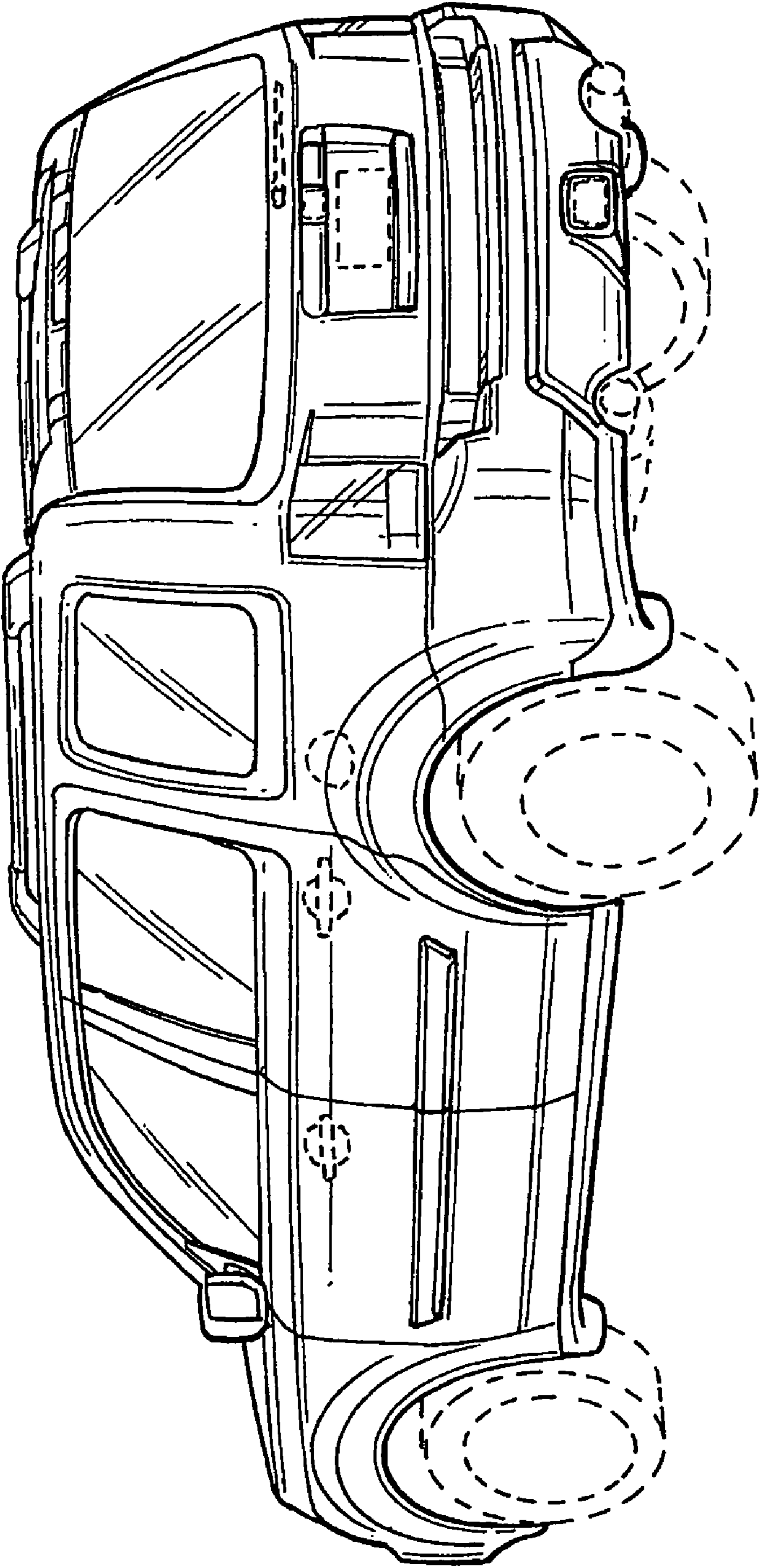


FIG. 2

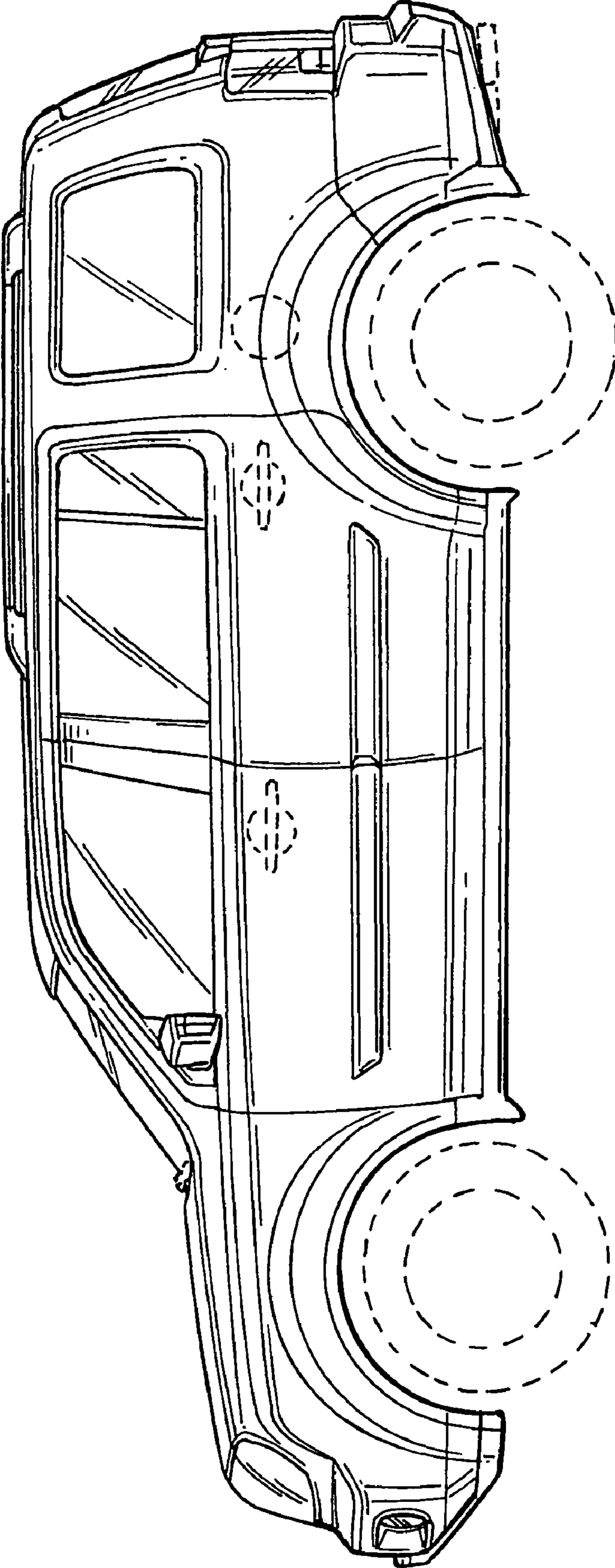


FIG. 3

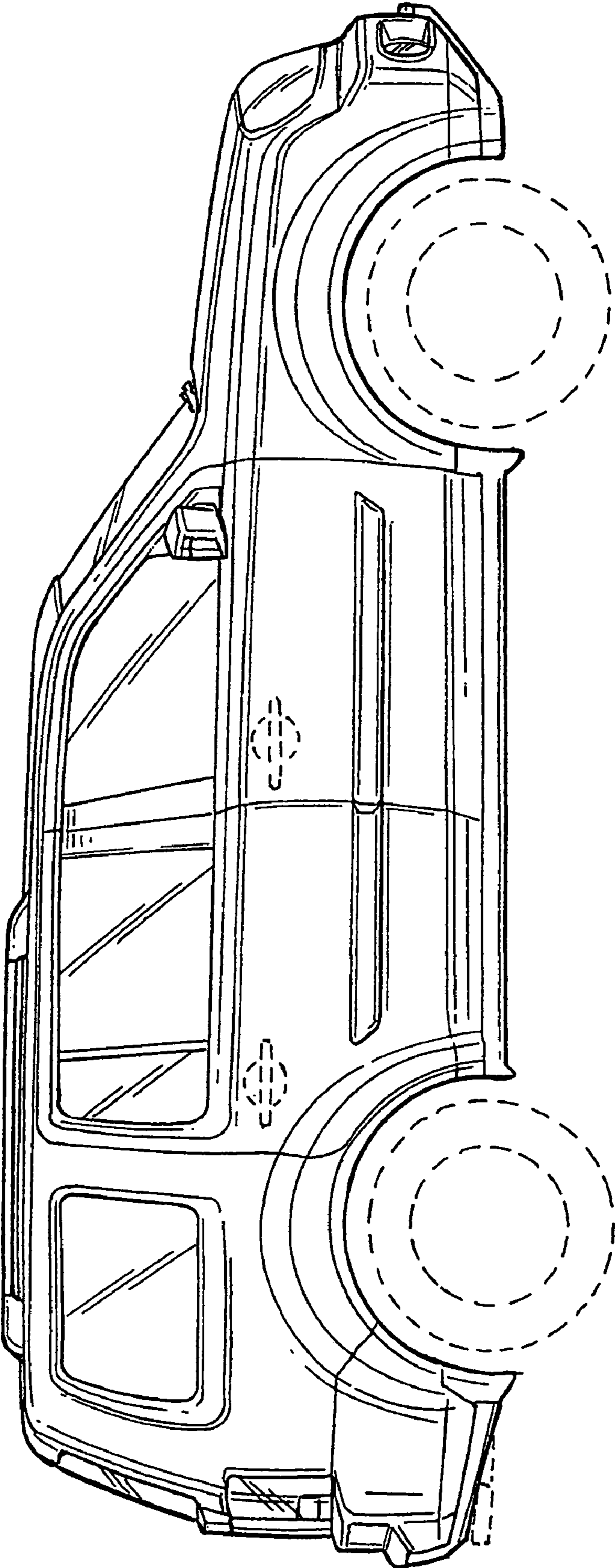


FIG. 4

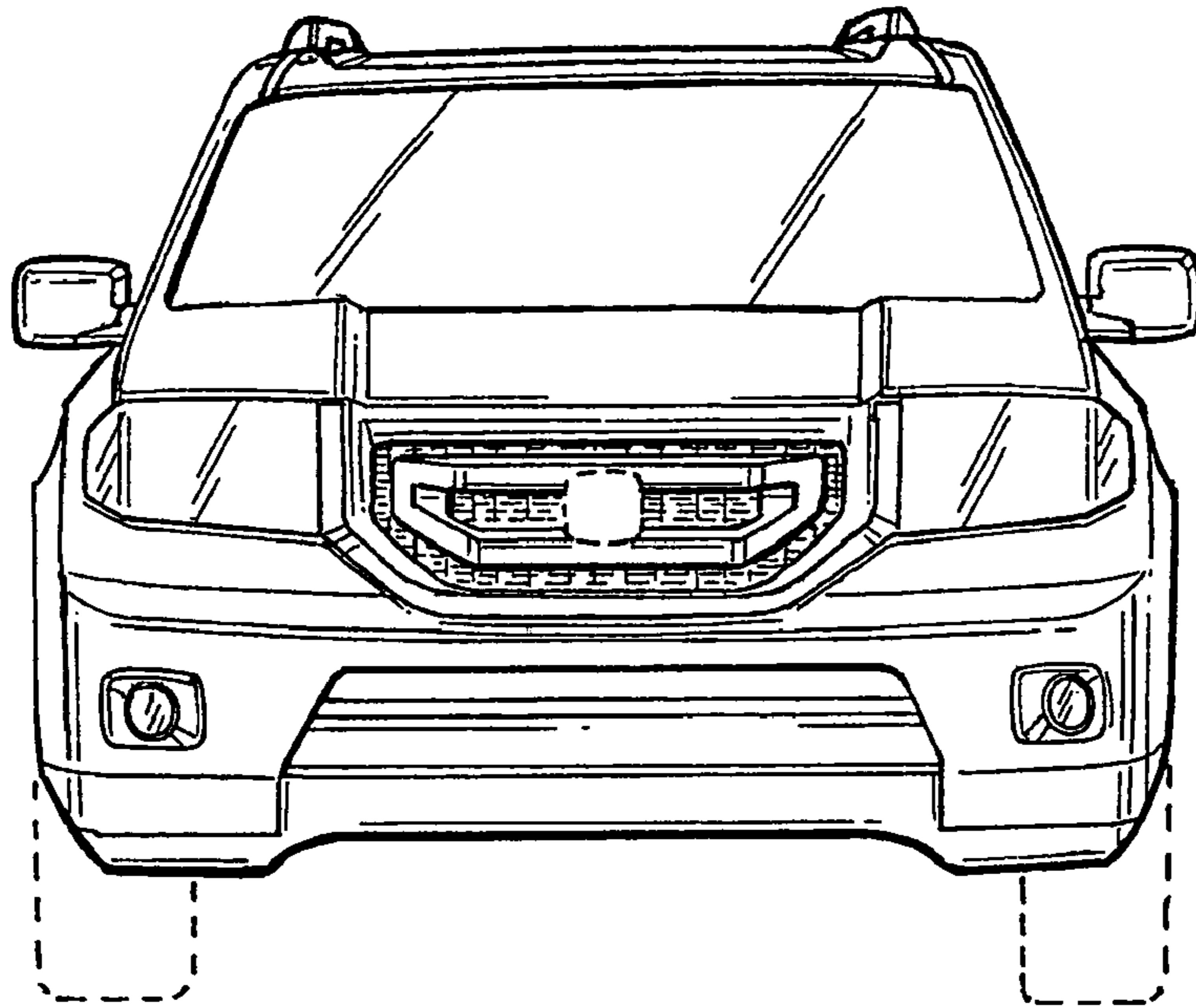


FIG. 5

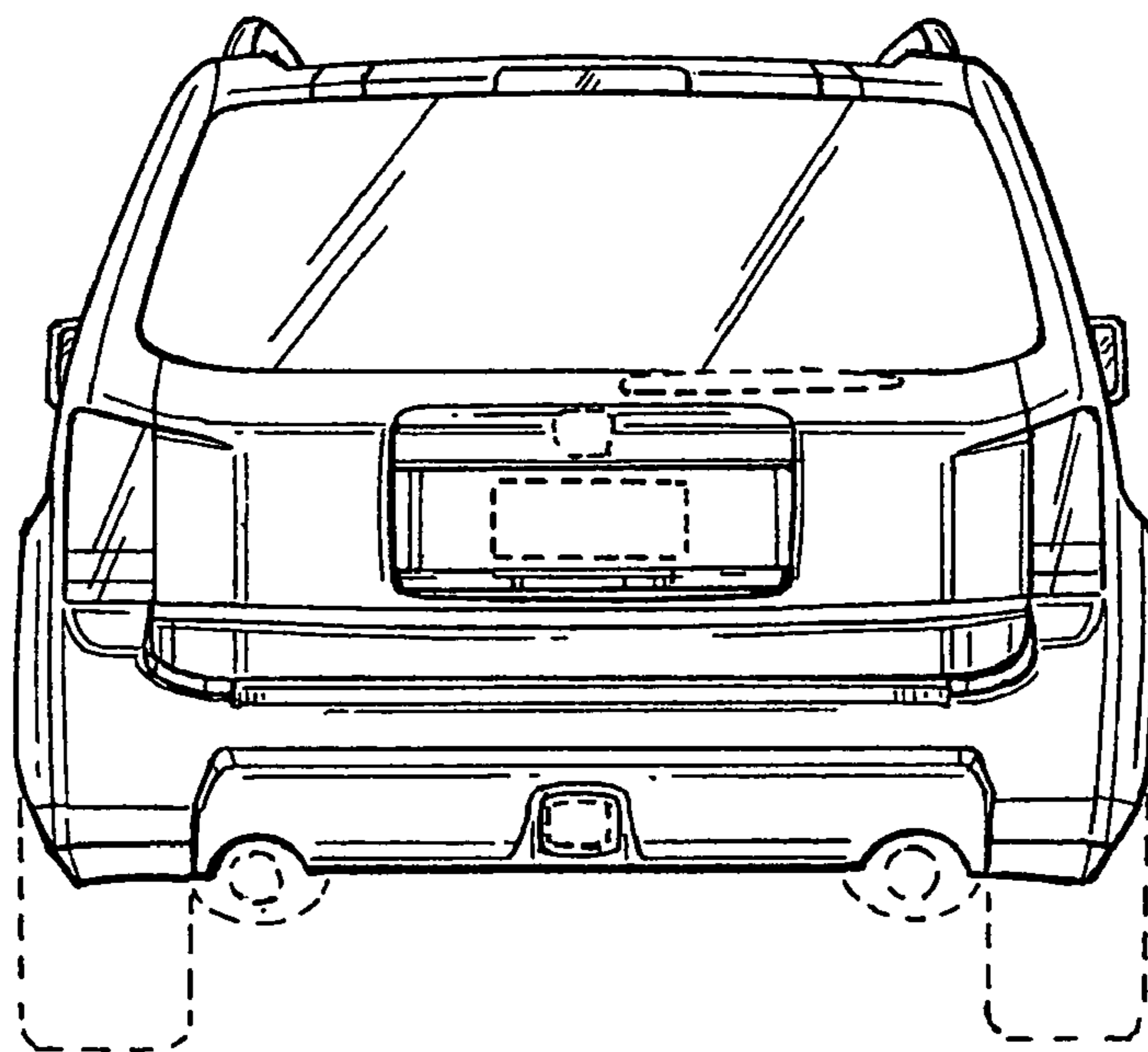


FIG. 6

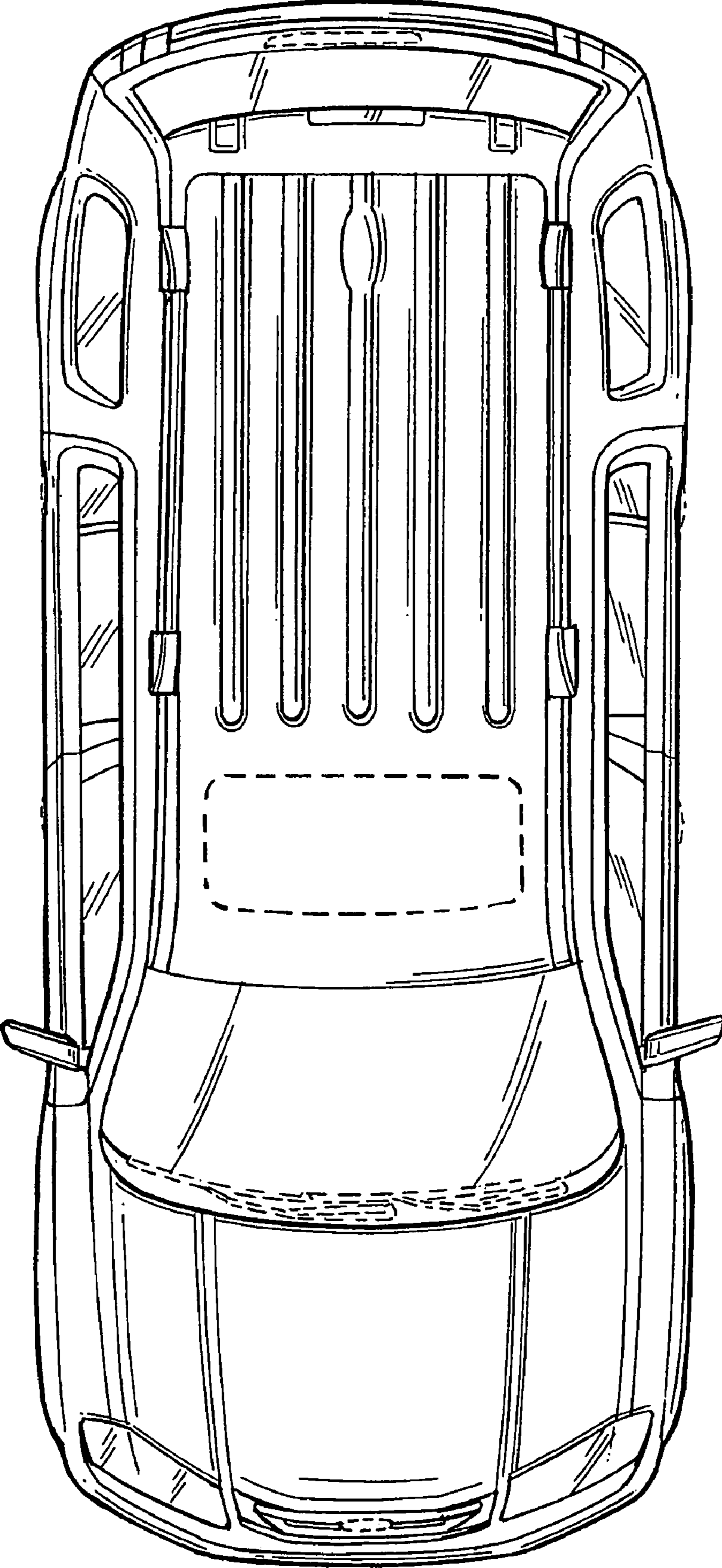


FIG. 7