



US00D579821S

(12) **United States Design Patent**
Bobbitt, III et al.

(10) **Patent No.:** **US D579,821 S**
(45) **Date of Patent:** **** Nov. 4, 2008**

(54) **UTILITY VEHICLE BODY**

(75) Inventors: **John Thomas Bobbitt, III**, Evans, GA (US); **James Michael Fulford**, Evans, GA (US)

(73) Assignee: **Club Car, Inc.**, Evans, GA (US)

(**) Term: **14 Years**

(21) Appl. No.: **29/242,088**

(22) Filed: **Nov. 4, 2005**

(51) **LOC (8) Cl.** **12-13**

(52) **U.S. Cl.** **D12/14; D12/16**

(58) **Field of Classification Search** D21/433, D21/425, 427; D12/16, 86, 1, 82, 83, 85, D12/107, 14, 15, 400, 90, 91; 280/DIG. 5; 224/274; 180/233, 908, 6.5, 89.1; 296/186
See application file for complete search history.

(56) **References Cited**

U.S. PATENT DOCUMENTS

D245,242 S	8/1977	Stolley	
D255,558 S	6/1980	Ekuan	
D271,008 S	10/1983	Saporito	
D292,899 S	11/1987	Samuelson et al.	
D312,227 S	11/1990	Miyamoto et al.	
D337,747 S	7/1993	Hinklin et al.	
D364,590 S *	11/1995	Yamashita	D12/15
D393,609 S *	4/1998	Kanthak et al.	D12/91
D436,557 S *	1/2001	Selby et al.	D12/14

D511,715 S *	11/2005	Hohnl et al.	D12/14
7,093,580 B2 *	8/2006	McLeod	123/376
2005/0212244 A1 *	9/2005	Bobbitt et al.	280/86.751

* cited by examiner

Primary Examiner—Robert M. Spear
Assistant Examiner—Ania K Dworzecka

(74) *Attorney, Agent, or Firm*—Michael Best & Friedrich LLP

(57) **CLAIM**

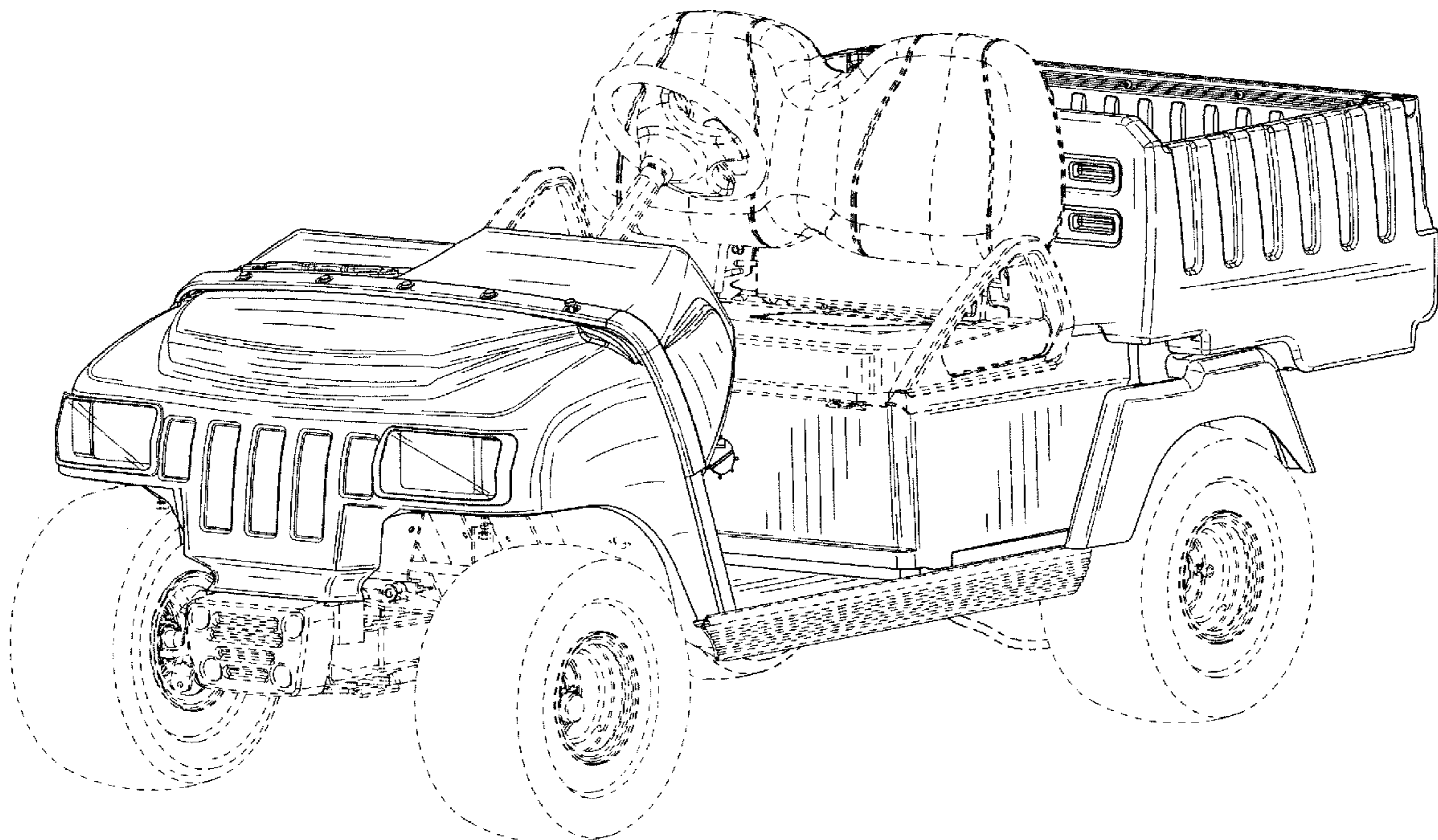
We claim the ornamental design for a utility vehicle body, as shown and described.

DESCRIPTION

FIG. 1 is a front perspective view of a utility vehicle body showing our new design;
FIG. 2 is a rear perspective view thereof;
FIG. 3 is a front elevational view thereof;
FIG. 4 is a rear elevational view thereof;
FIG. 5 is a left side elevational view thereof, which is a mirror image of the right side not shown; and,
FIG. 6 is a top plan view thereof.

The structural features depicted by means of broken lines in the drawing figures have been shown for the purpose of illustrating environmental structure only and form no part of the claimed design.

1 Claim, 6 Drawing Sheets



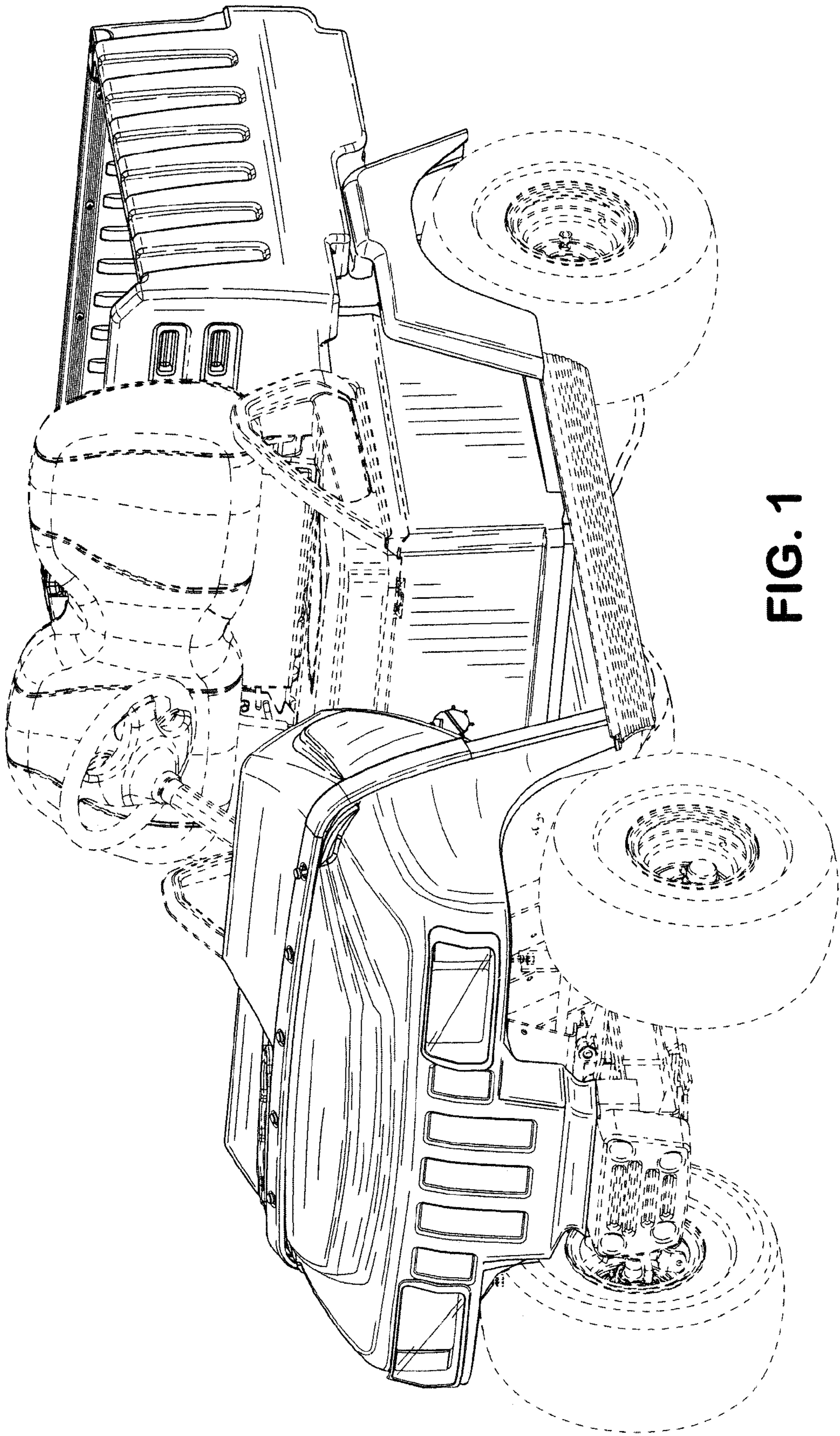


FIG. 1

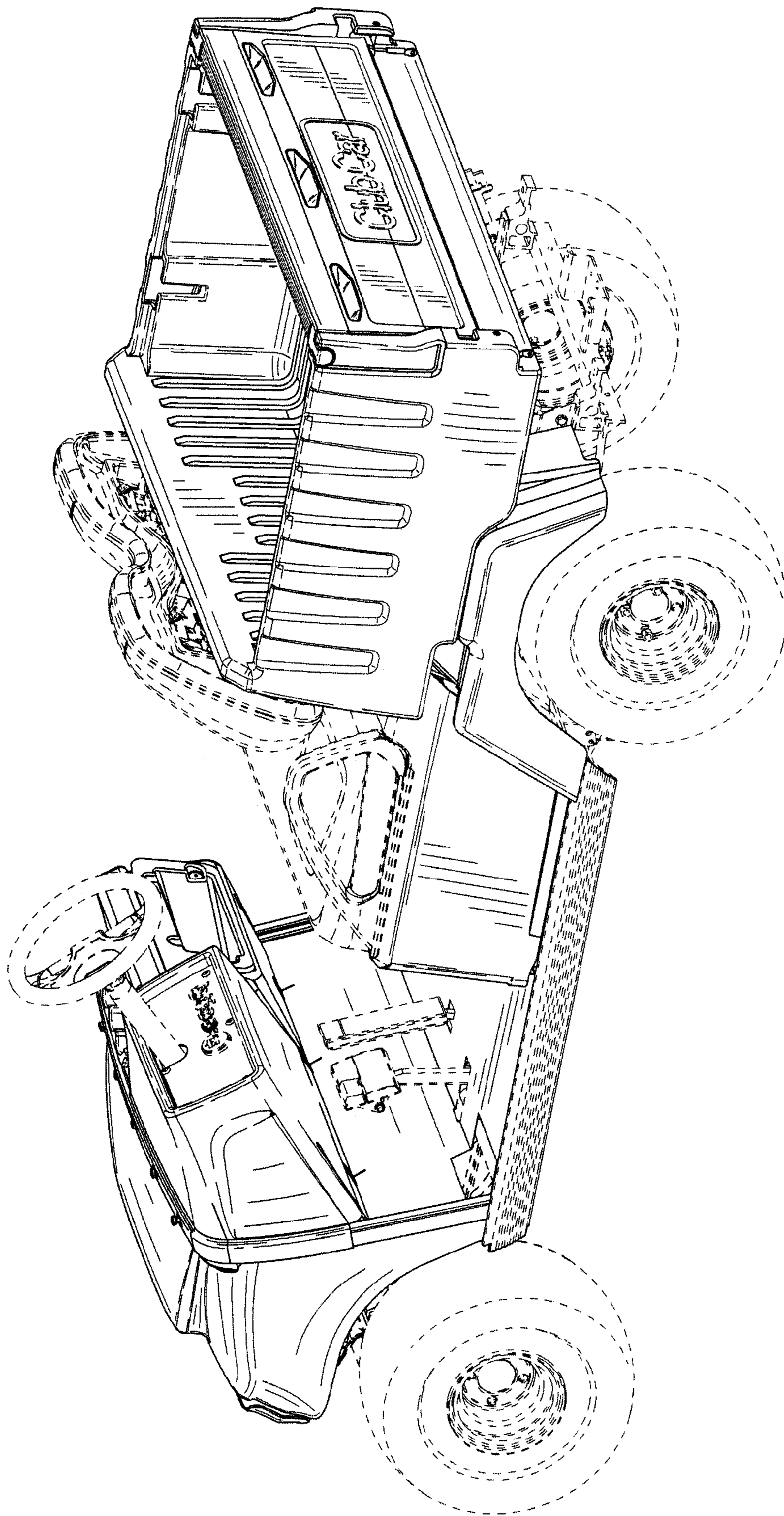


FIG. 2

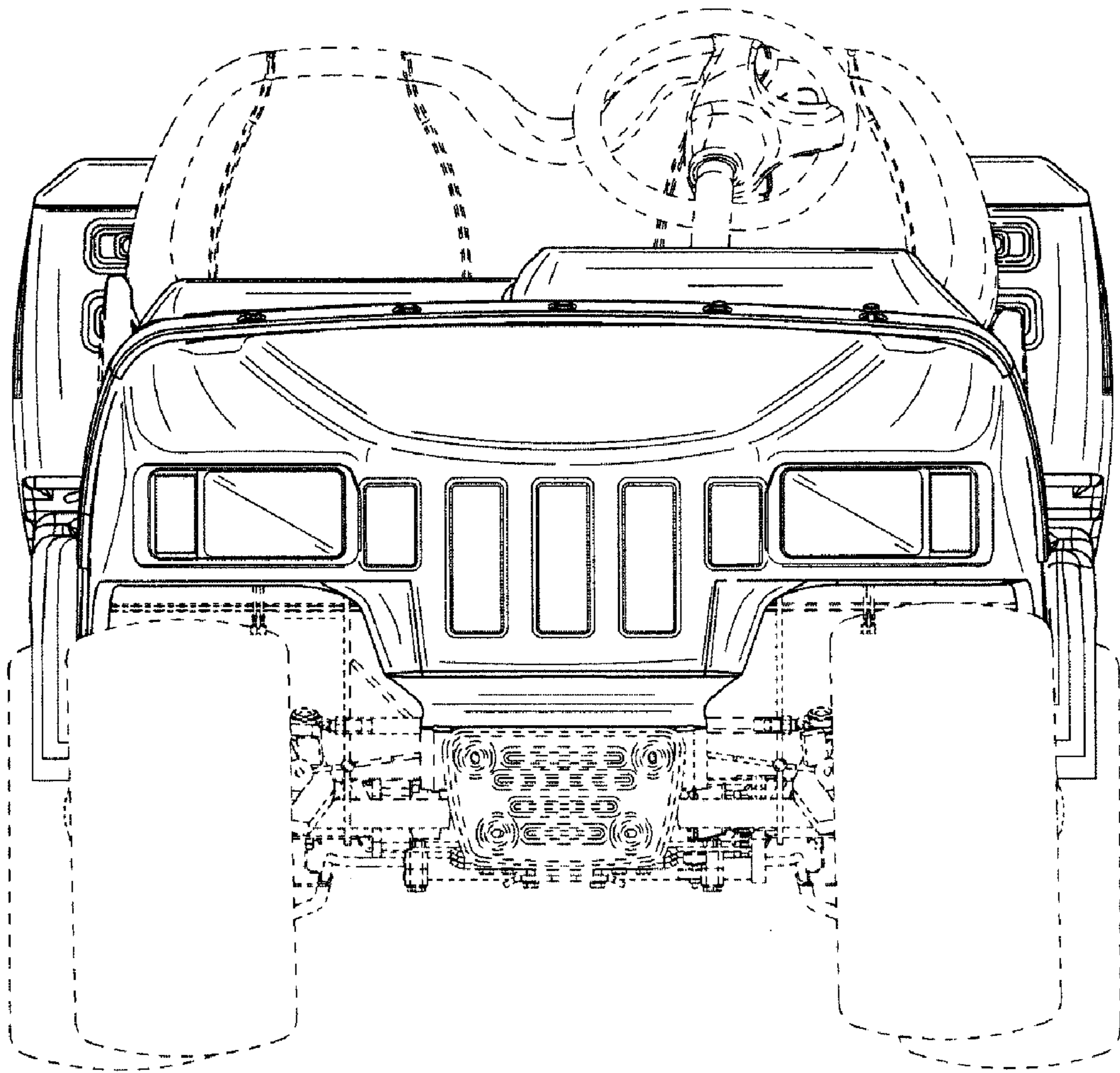


FIG. 3

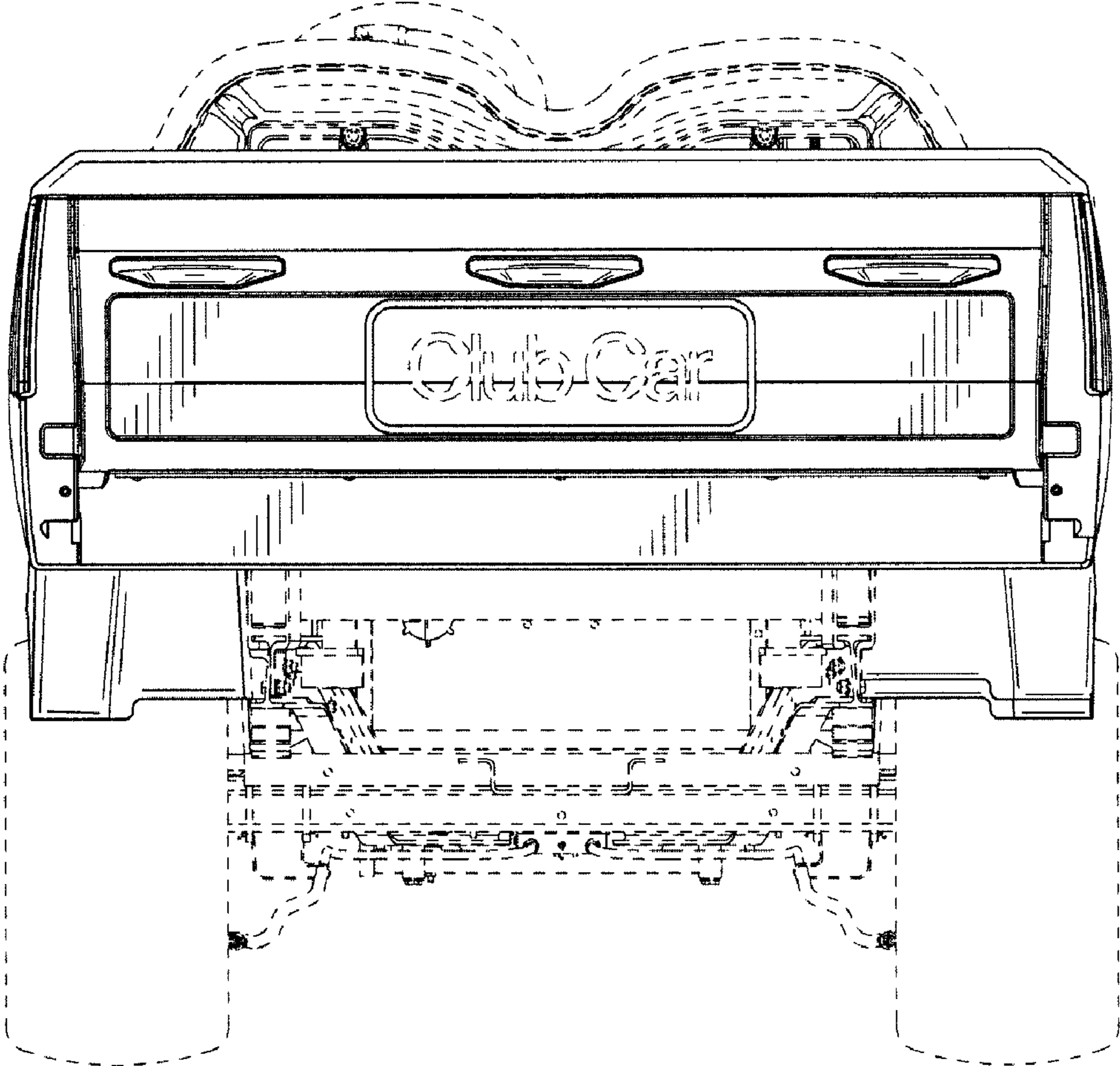


FIG. 4

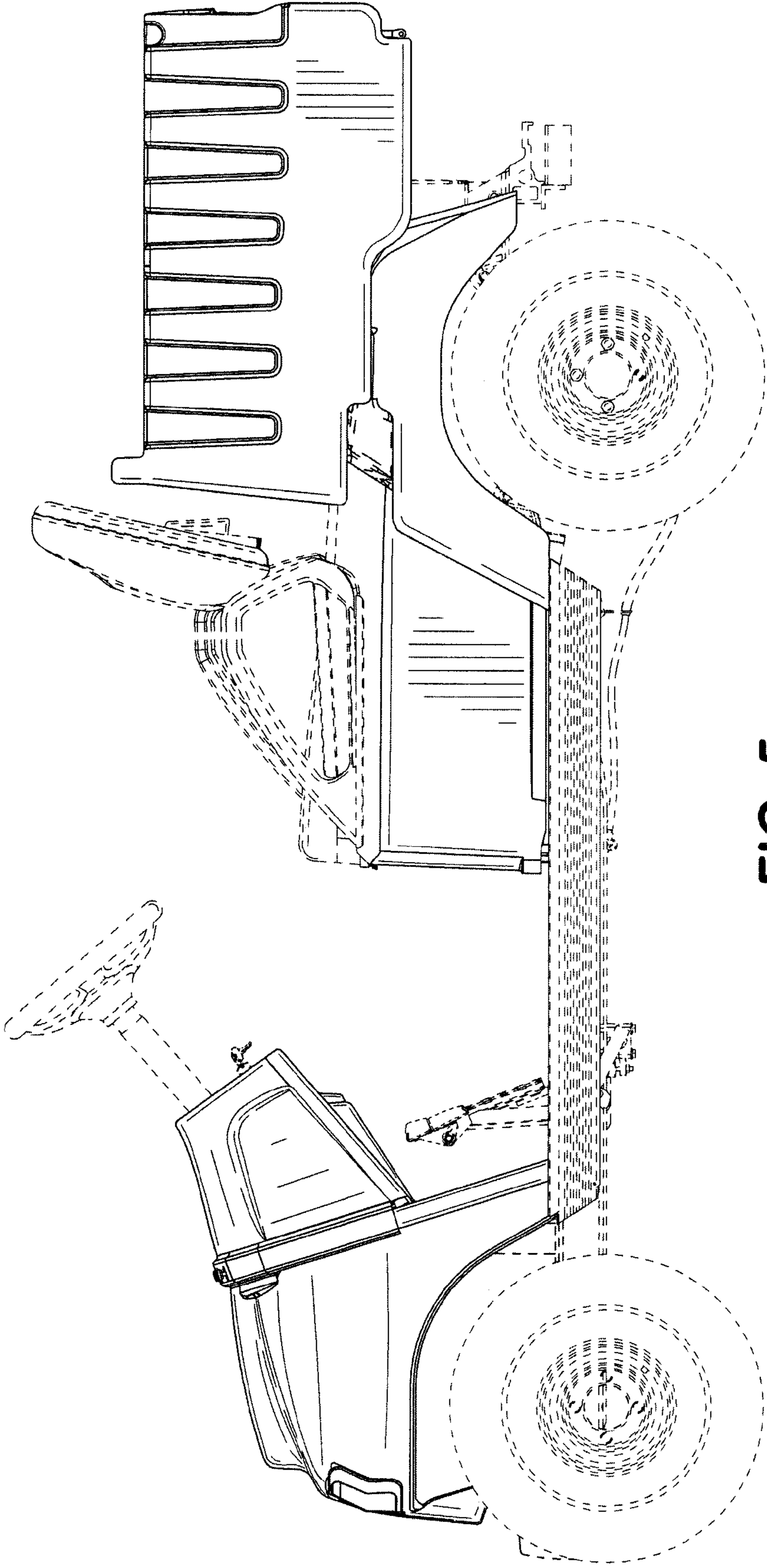


FIG. 5

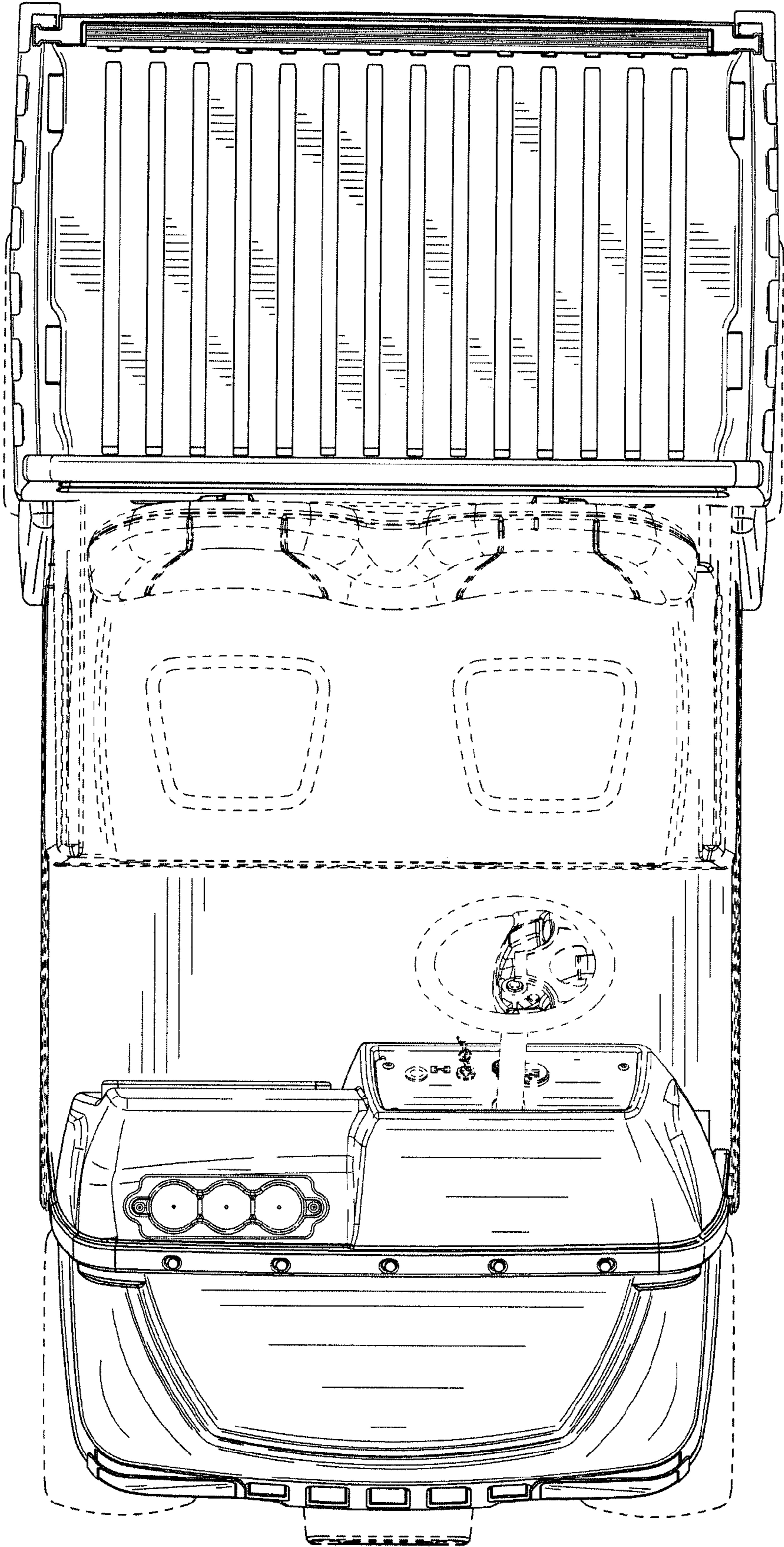


FIG. 6