



US00D579811S

(12) **United States Design Patent**
Cambell et al.

(10) **Patent No.:** **US D579,811 S**

(45) **Date of Patent:** **** Nov. 4, 2008**

(54) **EMERGENCY ALERT SIGNAL**

(76) Inventors: **Richard Cambell**, P.O. Box 1208,
Killeen, TX (US) 76540; **Jacqueline J**
Simon, P.O. Box 1208, Killeen, TX (US)
76540

(**) Term: **14 Years**

(21) Appl. No.: **29/305,979**

(22) Filed: **Mar. 31, 2008**

(51) **LOC (8) Cl.** **10-05**

(52) **U.S. Cl.** **D10/114**

(58) **Field of Classification Search** D10/109.111,
D10/114; D26/29-31, 60, 119, 120, 28,
D26/24; 340/815.45, 908.1, 463, 472, 473,
340/331, 906; 362/311, 373, 35, 183, 200,
362/196, 191, 459, 460-463, 465, 485, 186;
315/241; D9/418

See application file for complete search history.

(56) **References Cited**

U.S. PATENT DOCUMENTS

2,674,726	A *	4/1954	Williams	340/953
2,753,442	A *	7/1956	Wiswell	362/186
3,181,135	A *	4/1965	Zoglio	340/331
3,875,561	A *	4/1975	Scarpino et al.	340/472
3,899,669	A *	8/1975	Nathanson	362/186
4,017,825	A	4/1977	Pichey	
4,135,144	A	1/1979	Elmasian	
D261,048	S *	9/1981	Price	D26/24
4,704,610	A	11/1987	Smith et al.	
4,736,186	A *	4/1988	Jones	340/331

5,103,383	A *	4/1992	Mayhew	362/186
5,426,417	A *	6/1995	Stanuch	340/473
D361,731	S	8/1995	Stegar	
D384,589	S	10/1997	Loach	
D388,007	S *	12/1997	Koski	D10/114
5,825,280	A *	10/1998	Merendini et al.	340/326
6,448,904	B1	9/2002	Flores	
6,522,261	B2 *	2/2003	Scheffler et al.	340/815.73
D498,674	S *	11/2004	Smouha	D9/418
6,847,306	B2	1/2005	Diba et al.	
D513,477	S *	1/2006	Heftman	D10/111
2002/0080023	A1 *	6/2002	DeMarco et al.	340/463
2006/0132323	A1 *	6/2006	Grady, Jr.	340/815.45

* cited by examiner

Primary Examiner—Robert M. Spear

Assistant Examiner—George D Kirschbaum

(57) **CLAIM**

The ornamental design for a emergency alert signal, as shown.

DESCRIPTION

FIG. 1 is a perspective view of an emergency alert signal;

FIG. 2 is a front view thereof;

FIG. 3 is a back view thereof;

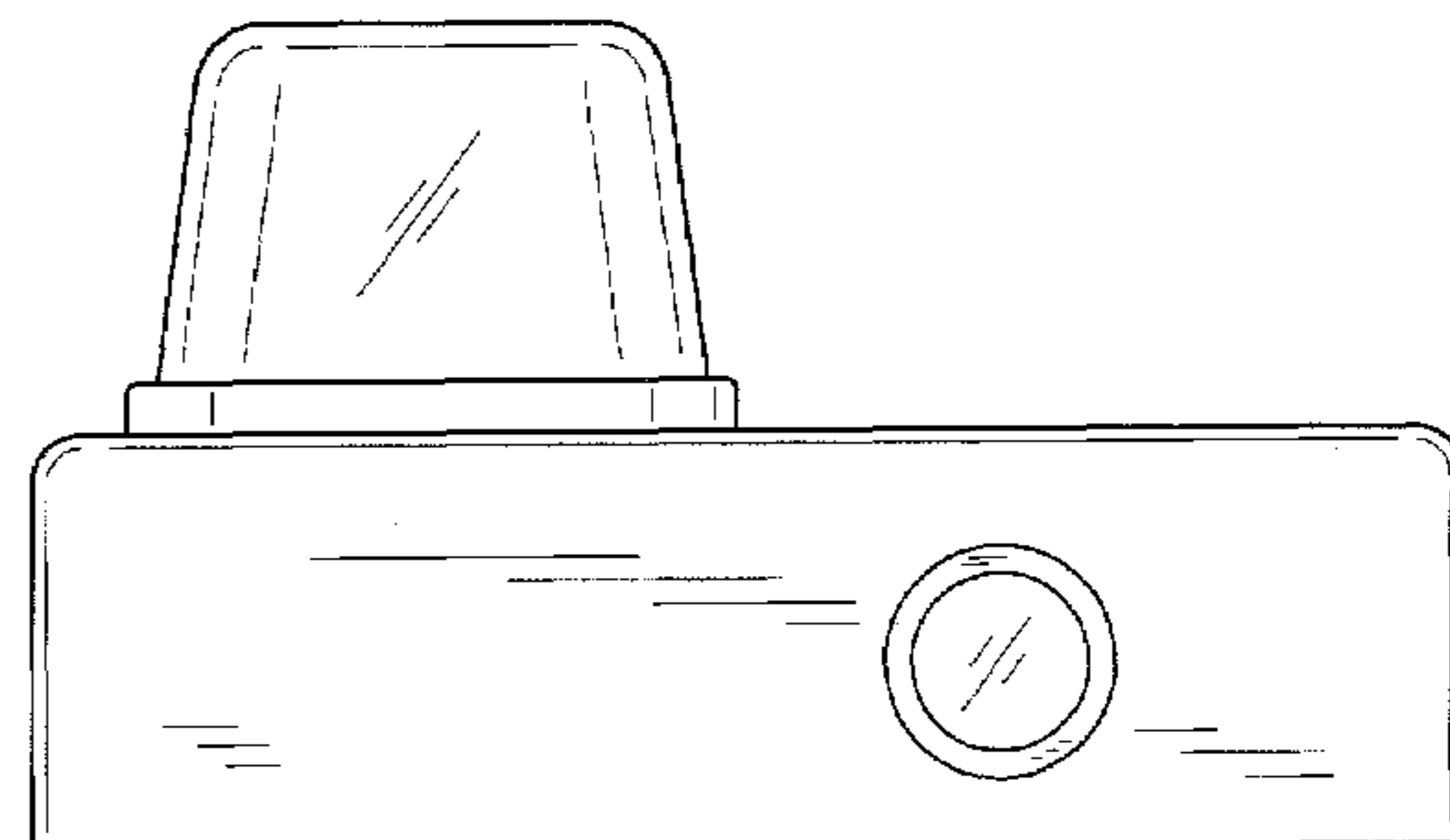
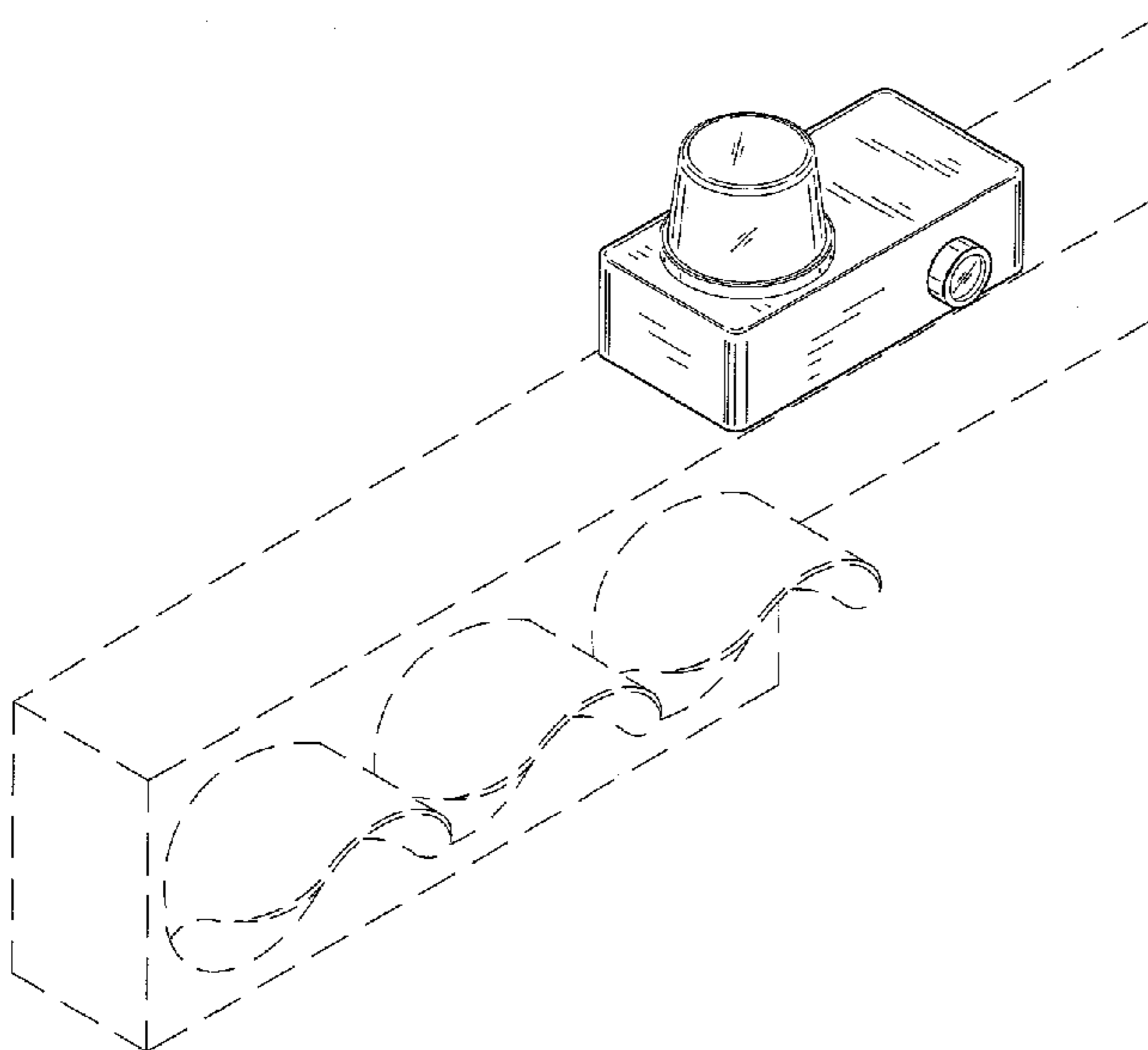
FIG. 4 is a side view thereof;

FIG. 5 is a top view thereof; and,

FIG. 6 is a bottom view thereof.

The broken lines depict unclaimed environmental subject matter.

1 Claim, 4 Drawing Sheets



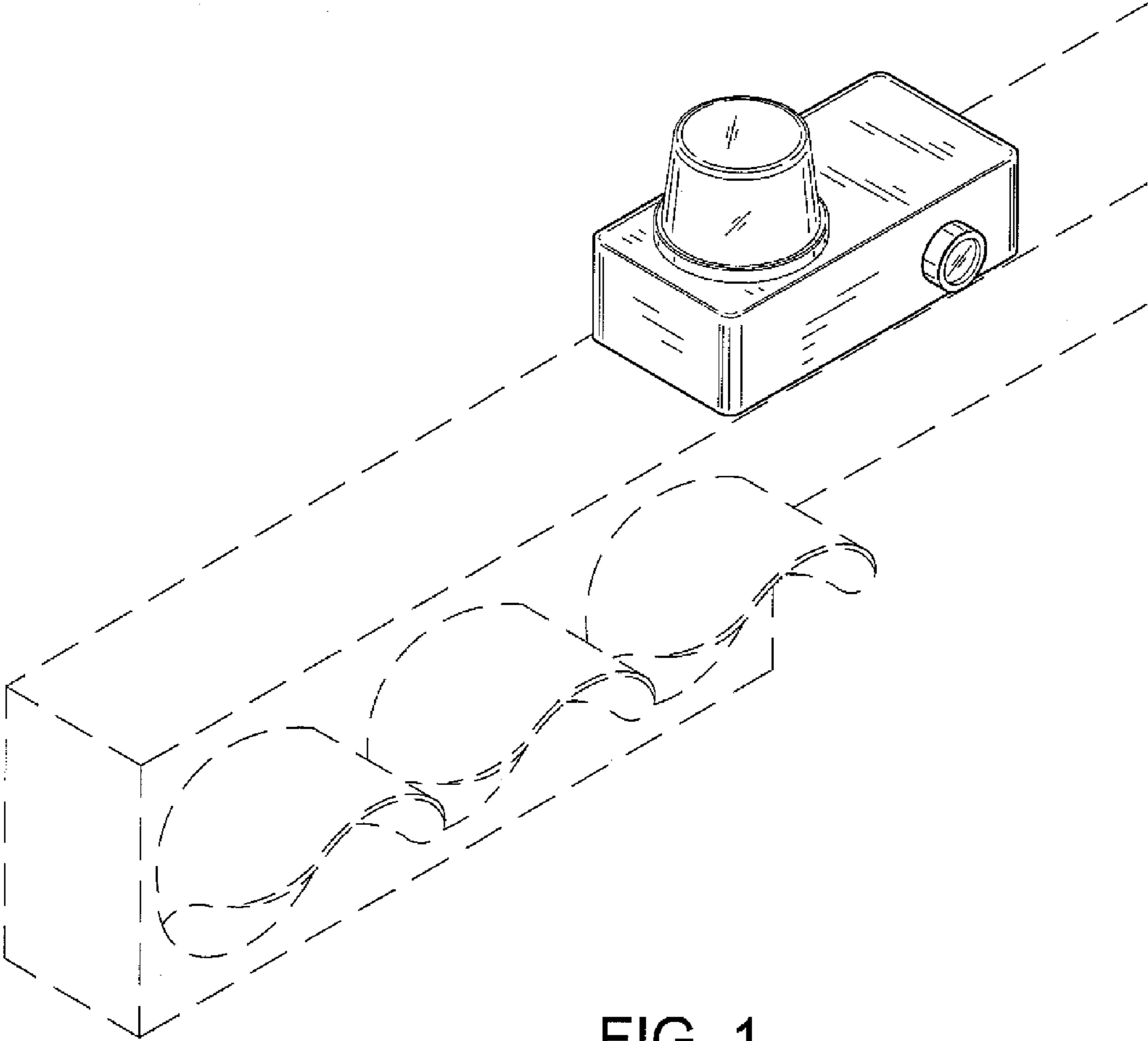


FIG. 1

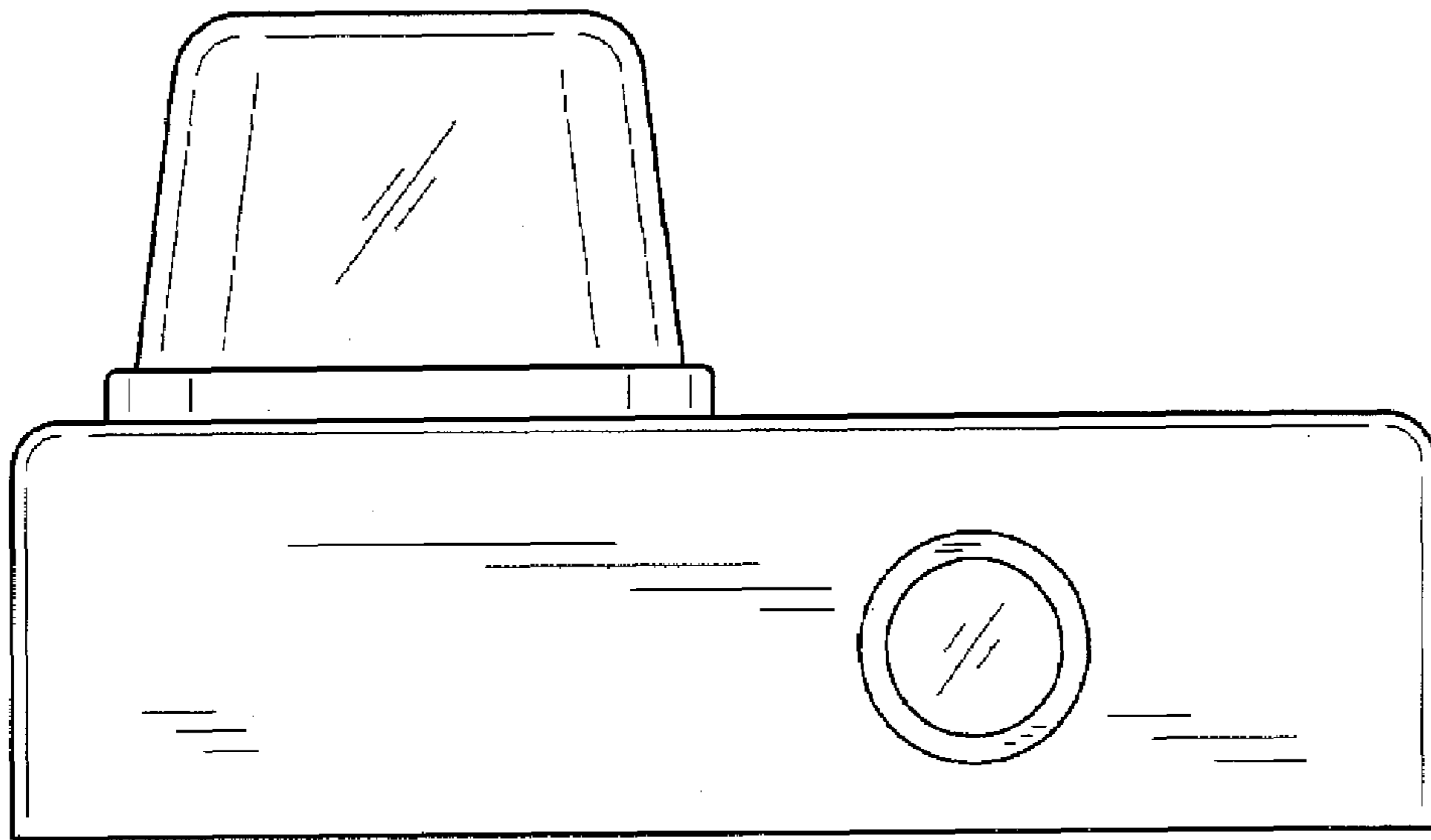


FIG. 2

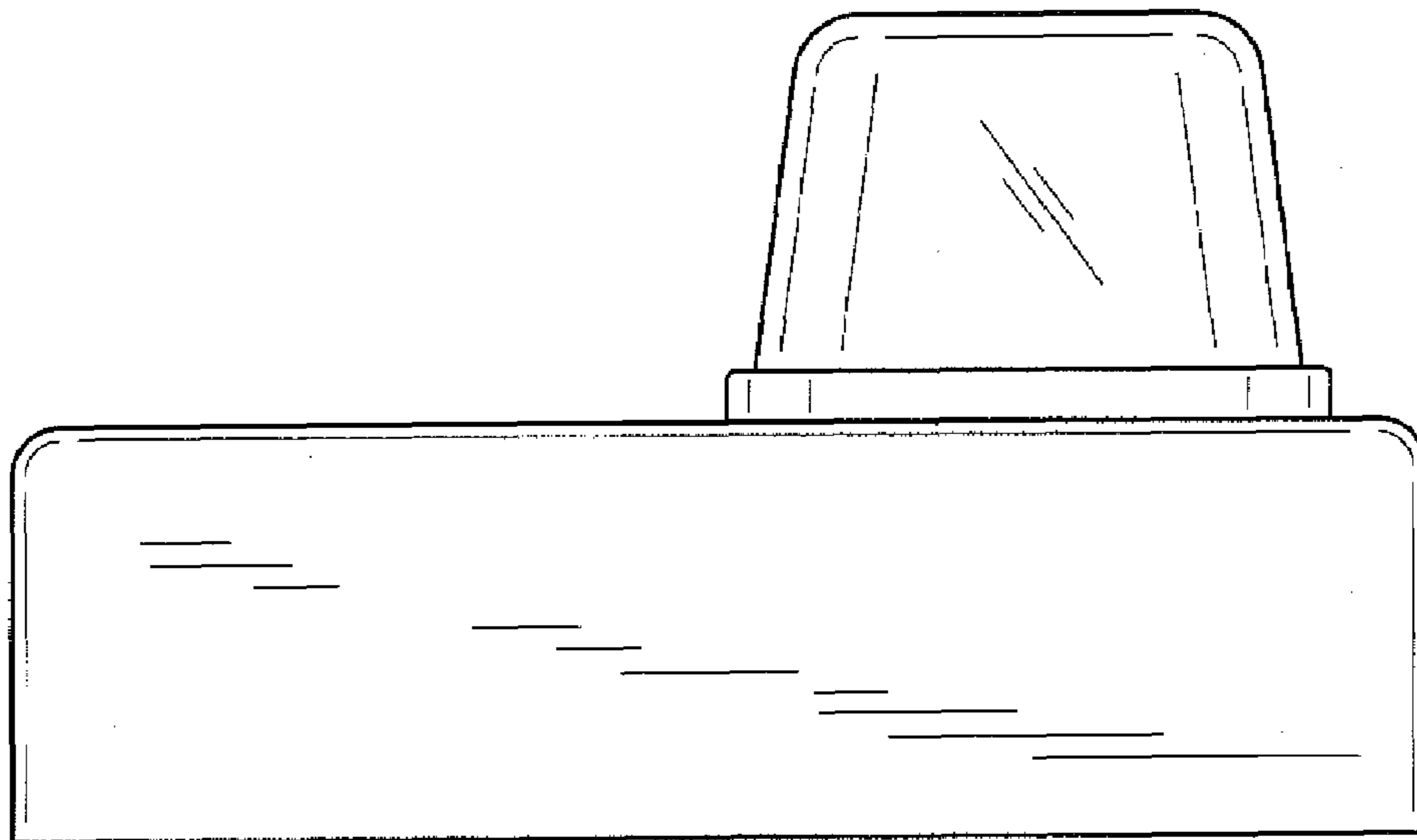


FIG. 3

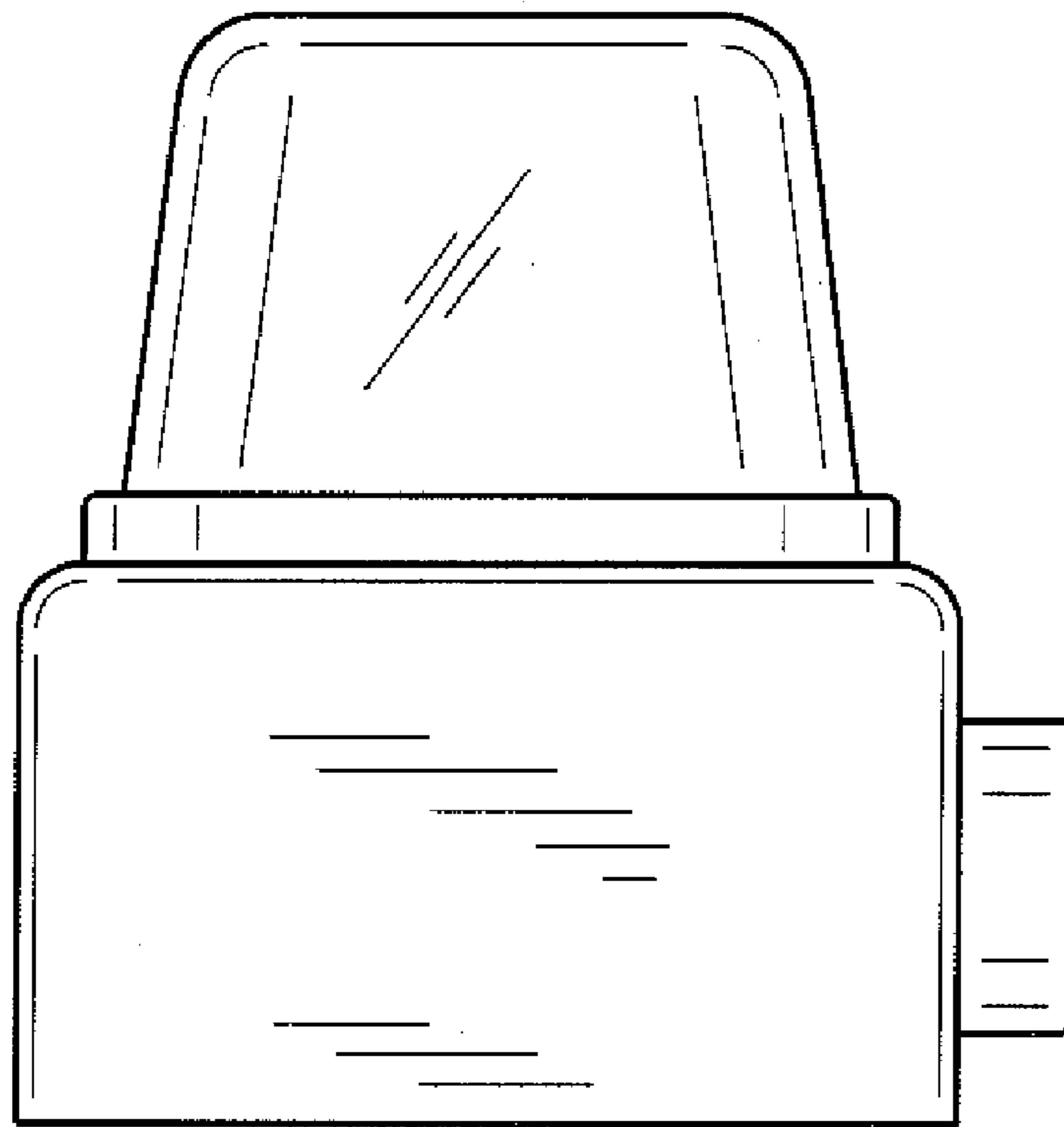


FIG. 4

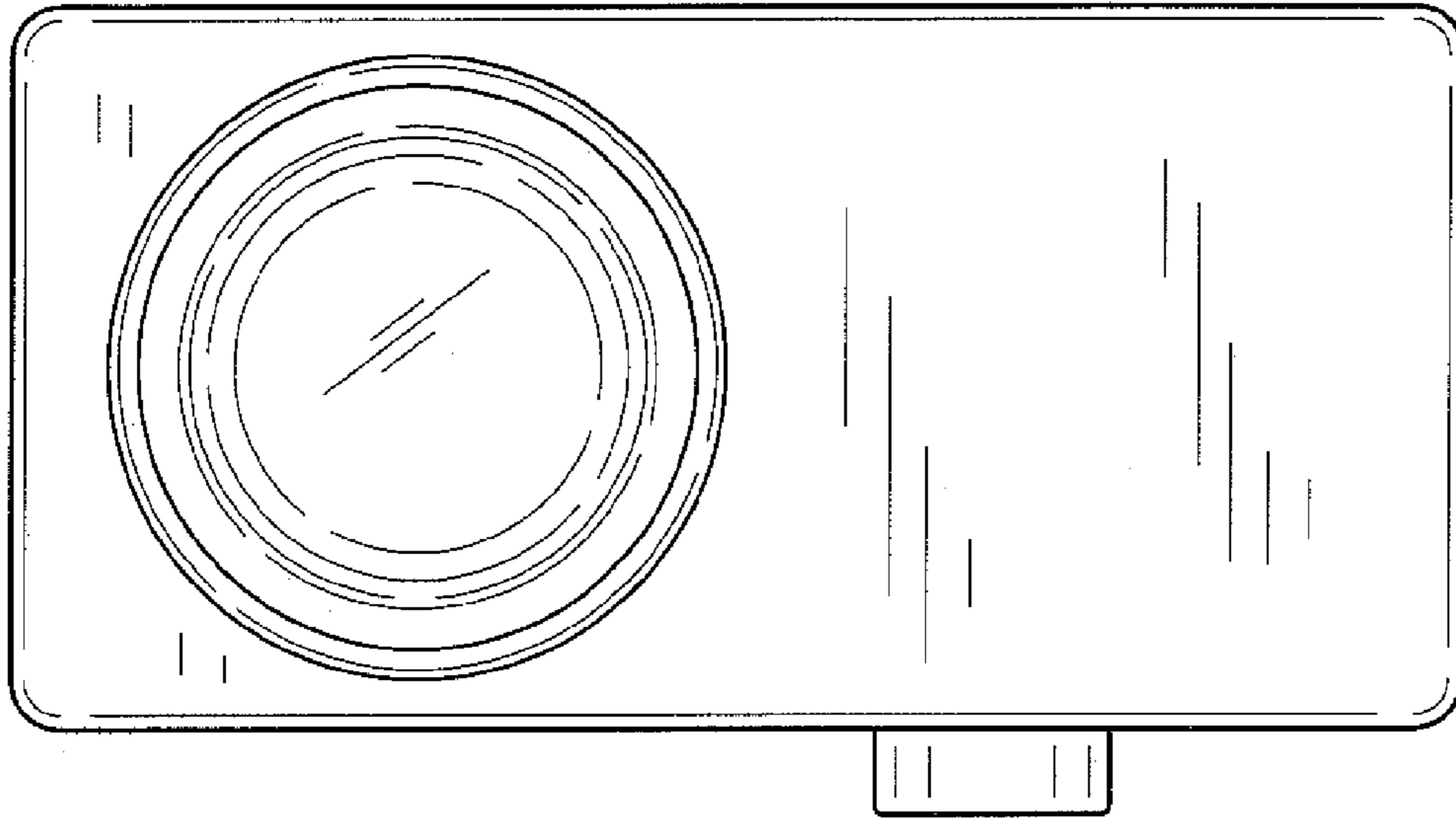


FIG. 5

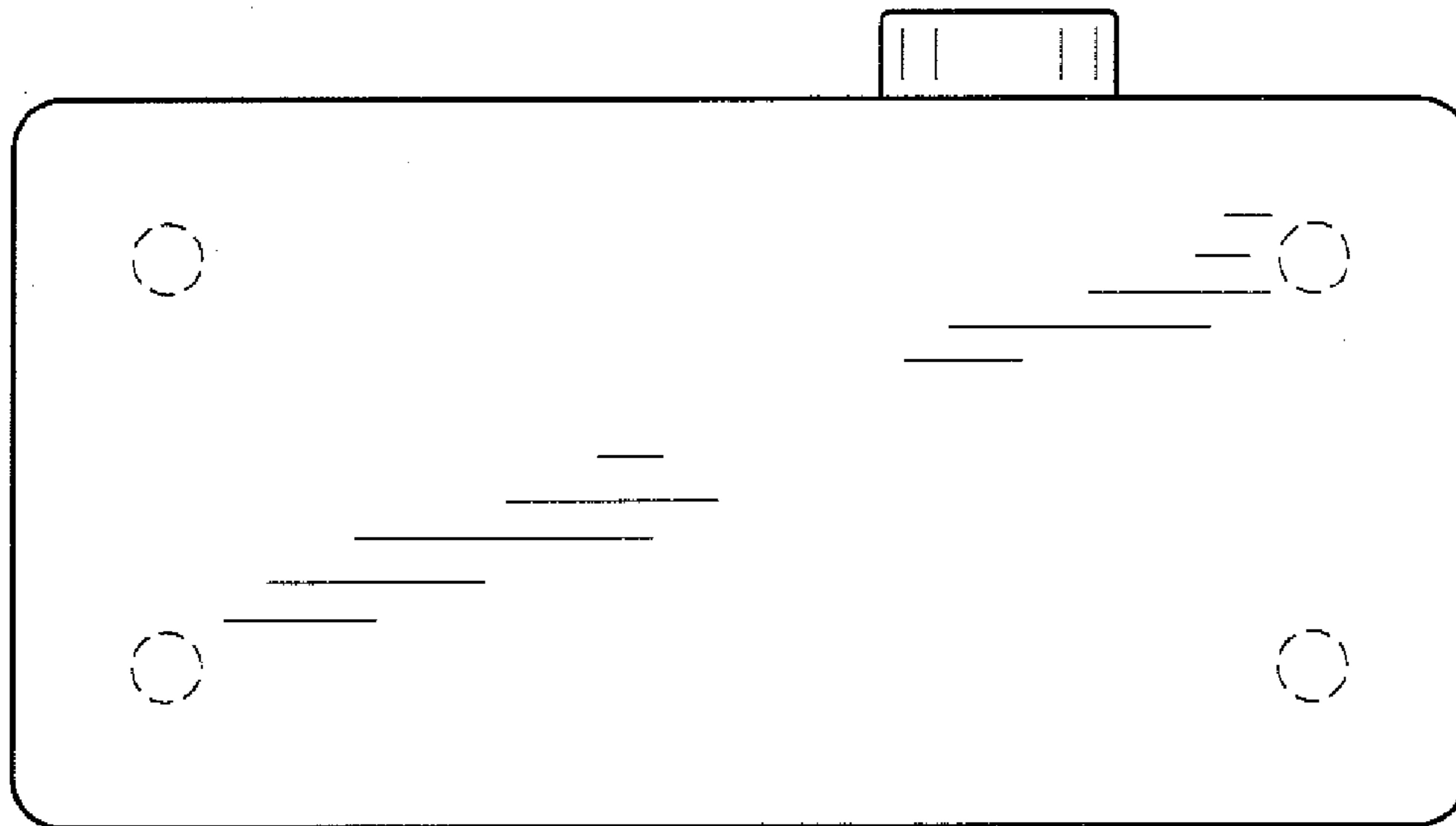


FIG. 6