



US00D579810S

(12) **United States Design Patent**
Campman

(10) **Patent No.:** **US D579,810 S**

(45) **Date of Patent:** **** Nov. 4, 2008**

(54) **COVER FOR A DEVICE**

(76) **Inventor:** **James P. Campman**, P.O. Box 167,
Transfer, PA (US) 16154

(**) **Term:** **14 Years**

(21) **Appl. No.:** **29/287,323**

(22) **Filed:** **Jul. 24, 2007**

(51) **LOC (8) Cl.** **10-05**

(52) **U.S. Cl.** **D10/104**

(58) **Field of Classification Search** D10/104,
D10/106; D14/138; 340/321; 455/456.1,
455/404.2

See application file for complete search history.

(56) **References Cited**

U.S. PATENT DOCUMENTS

| | | | | | |
|--------------|------|---------|----------------|-------|-----------|
| 6,016,099 | A * | 1/2000 | Campman | | 340/321 |
| D453,699 | S * | 2/2002 | Campman | | D10/106 |
| D542,754 | S * | 5/2007 | Neher et al. | | D14/138 |
| D569,290 | S * | 5/2008 | Kennedy et al. | | D10/104 |
| 2004/0198382 | A1 * | 10/2004 | Wong | | 455/456.1 |

2007/0264967 A1* 11/2007 Collins et al. 455/404.2

* cited by examiner

Primary Examiner—Robert M. Spear

Assistant Examiner—George D Kirschbaum

(74) *Attorney, Agent, or Firm*—Daniel K Dorsey

(57) **CLAIM**

The ornamental design for a cover for a device, as shown and described.

DESCRIPTION

FIG. 1 is a rear perspective view of a cover for a device showing my new design;

FIG. 2 is a front plan view thereof;

FIG. 3 is a rear elevational view thereof;

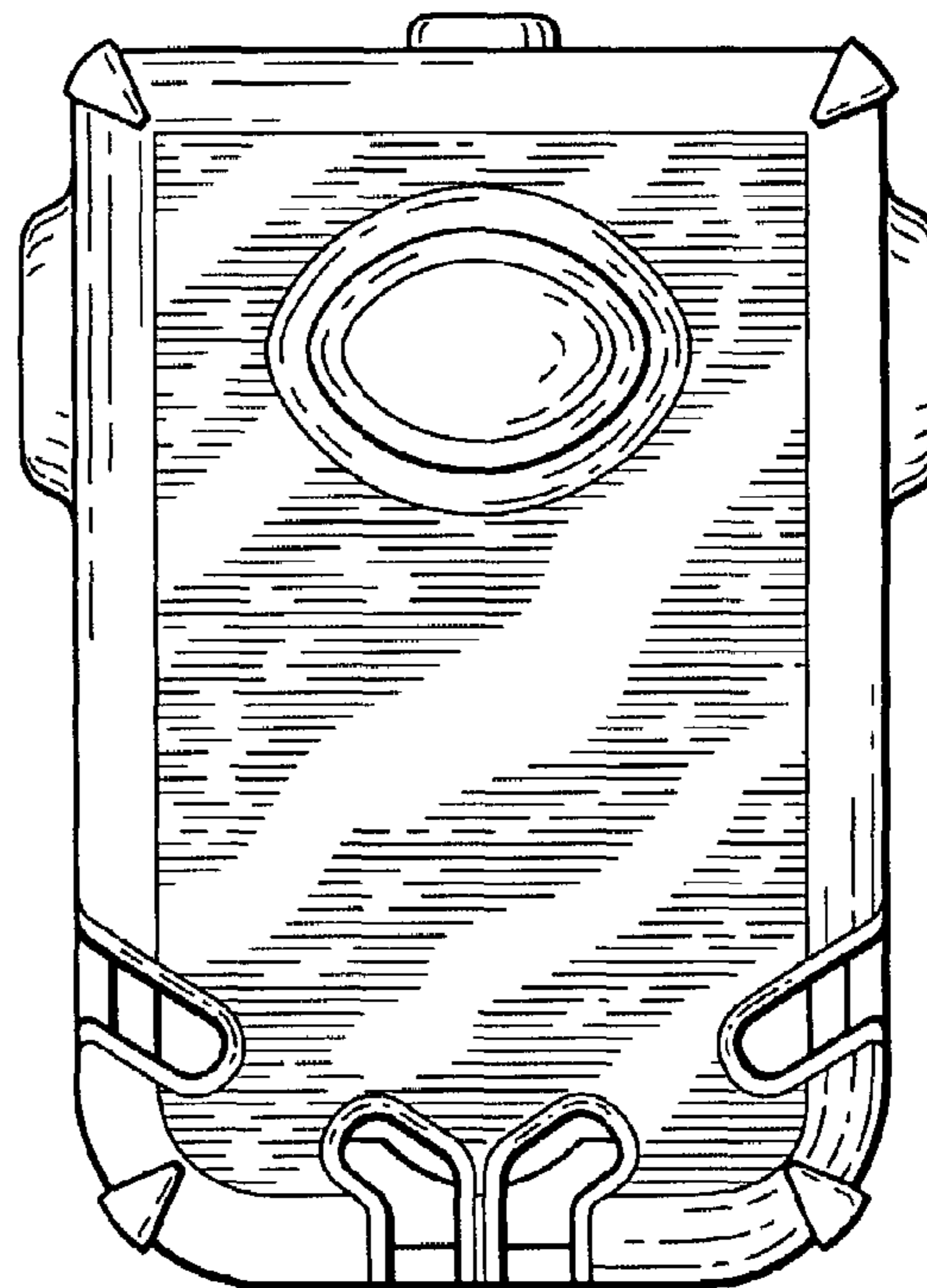
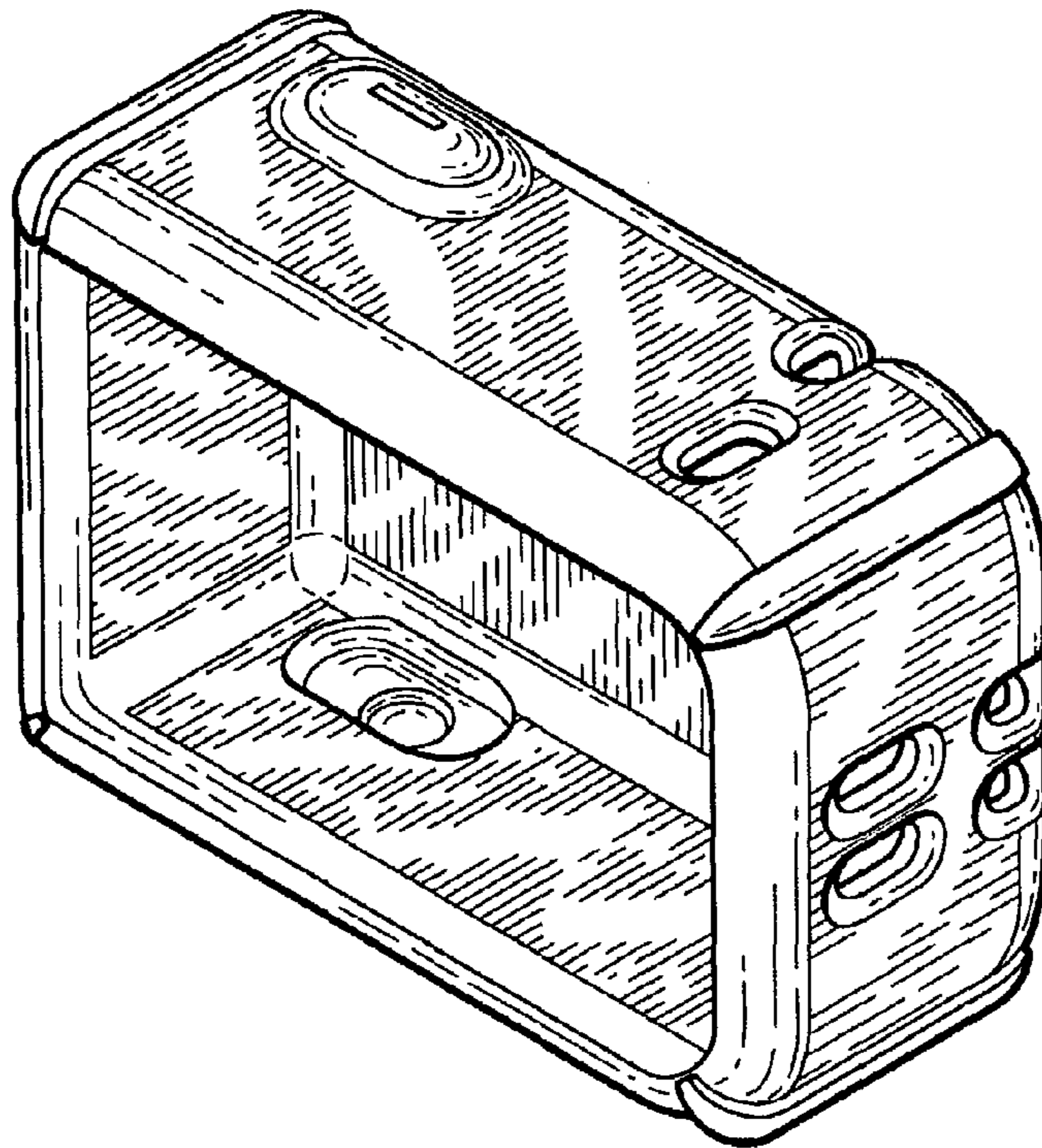
FIG. 4 is a top plan view thereof;

FIG. 5 is a bottom plan view thereof;

FIG. 6 is a right side view thereof; and,

FIG. 7 is a left side view thereof.

1 Claim, 3 Drawing Sheets



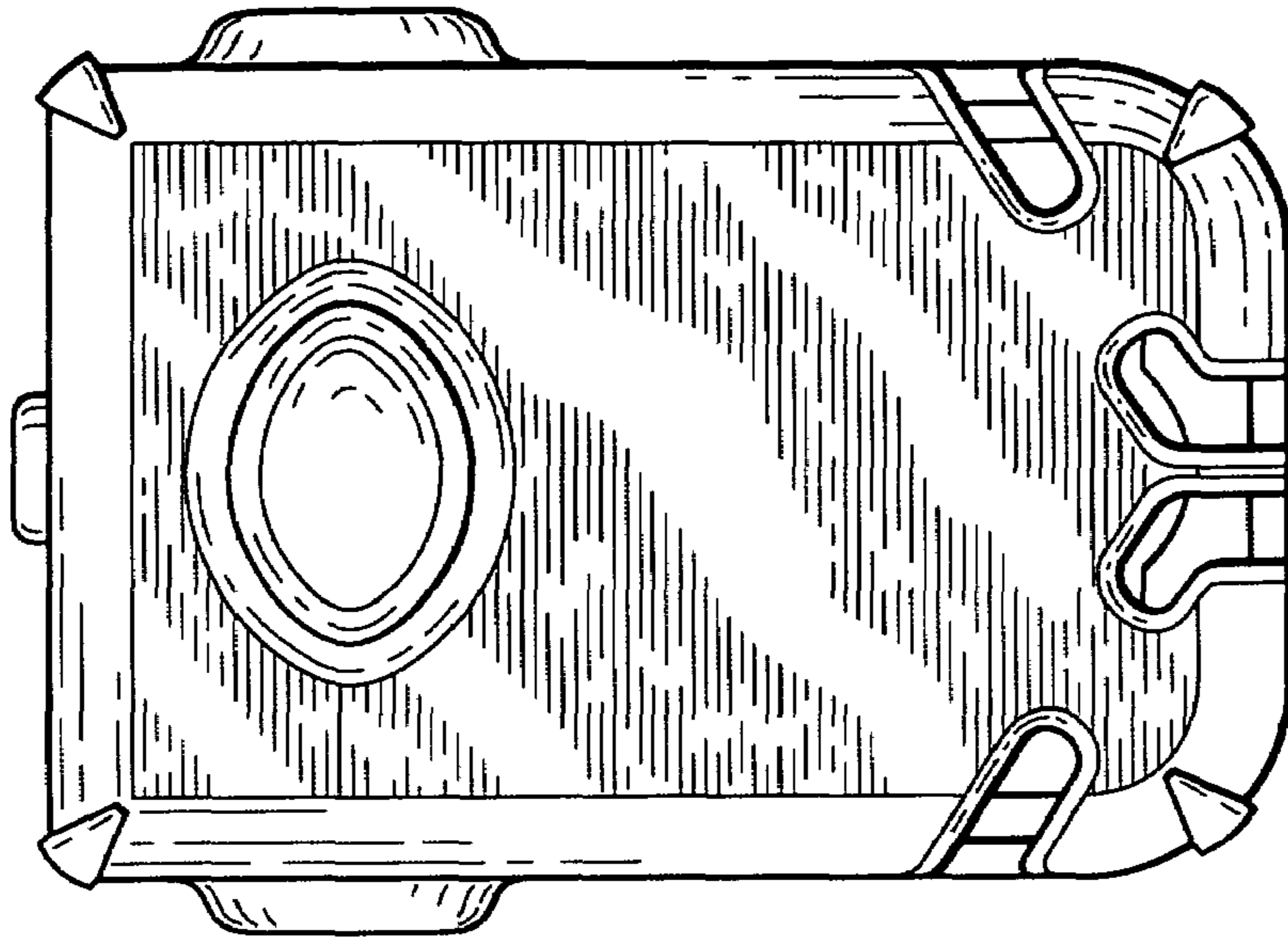


FIG. 2

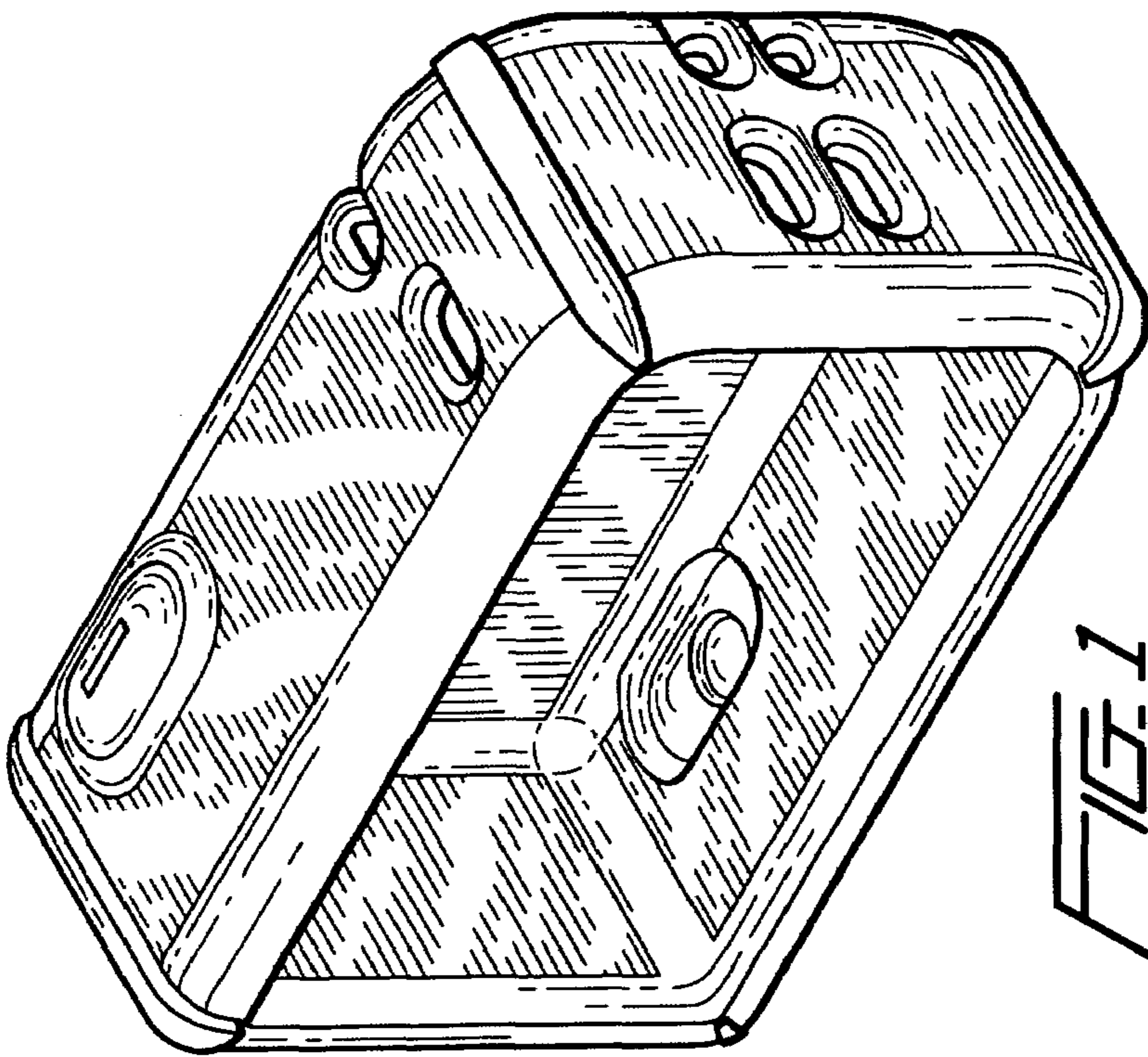


FIG. 1

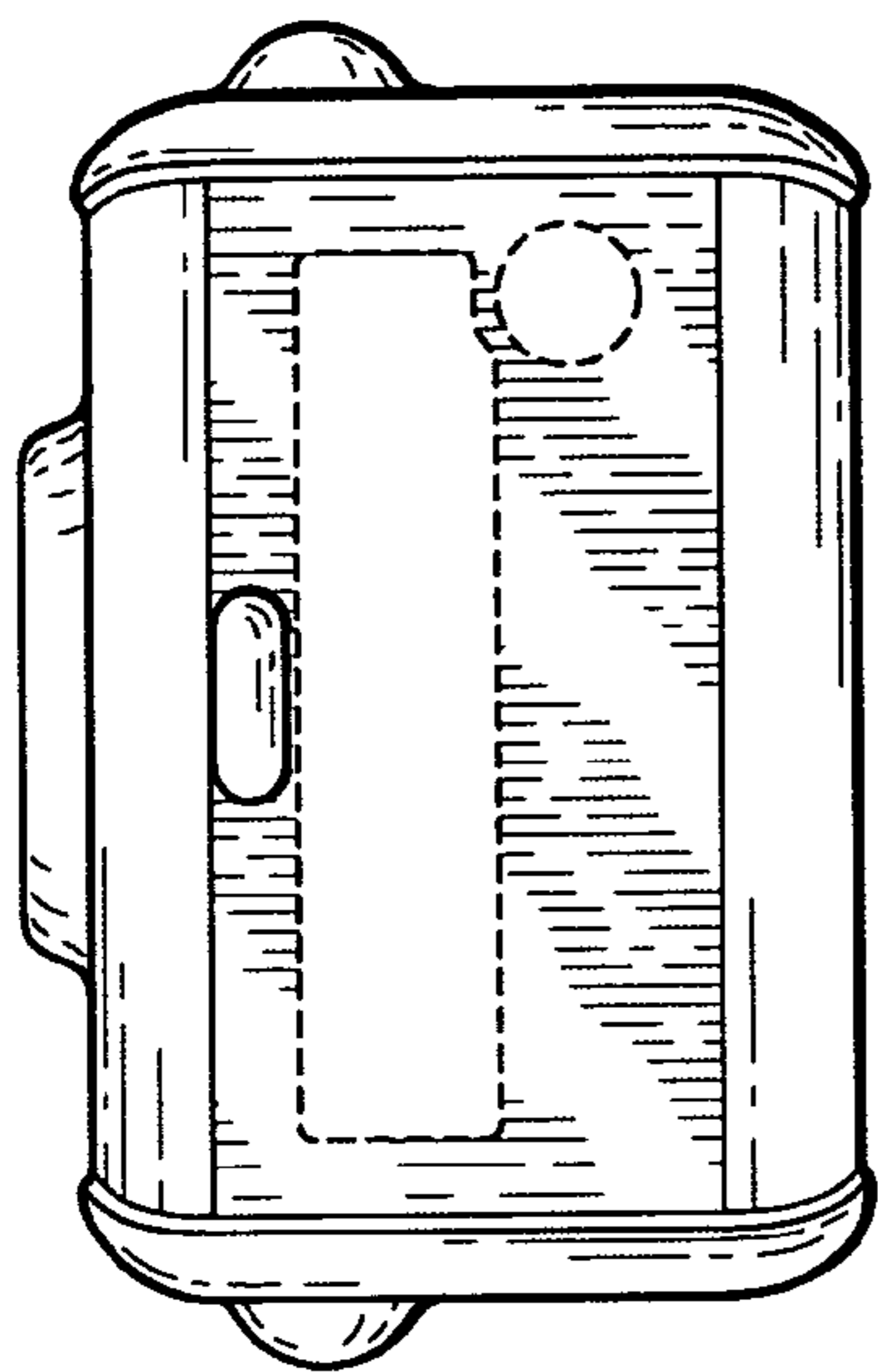


FIG. 4

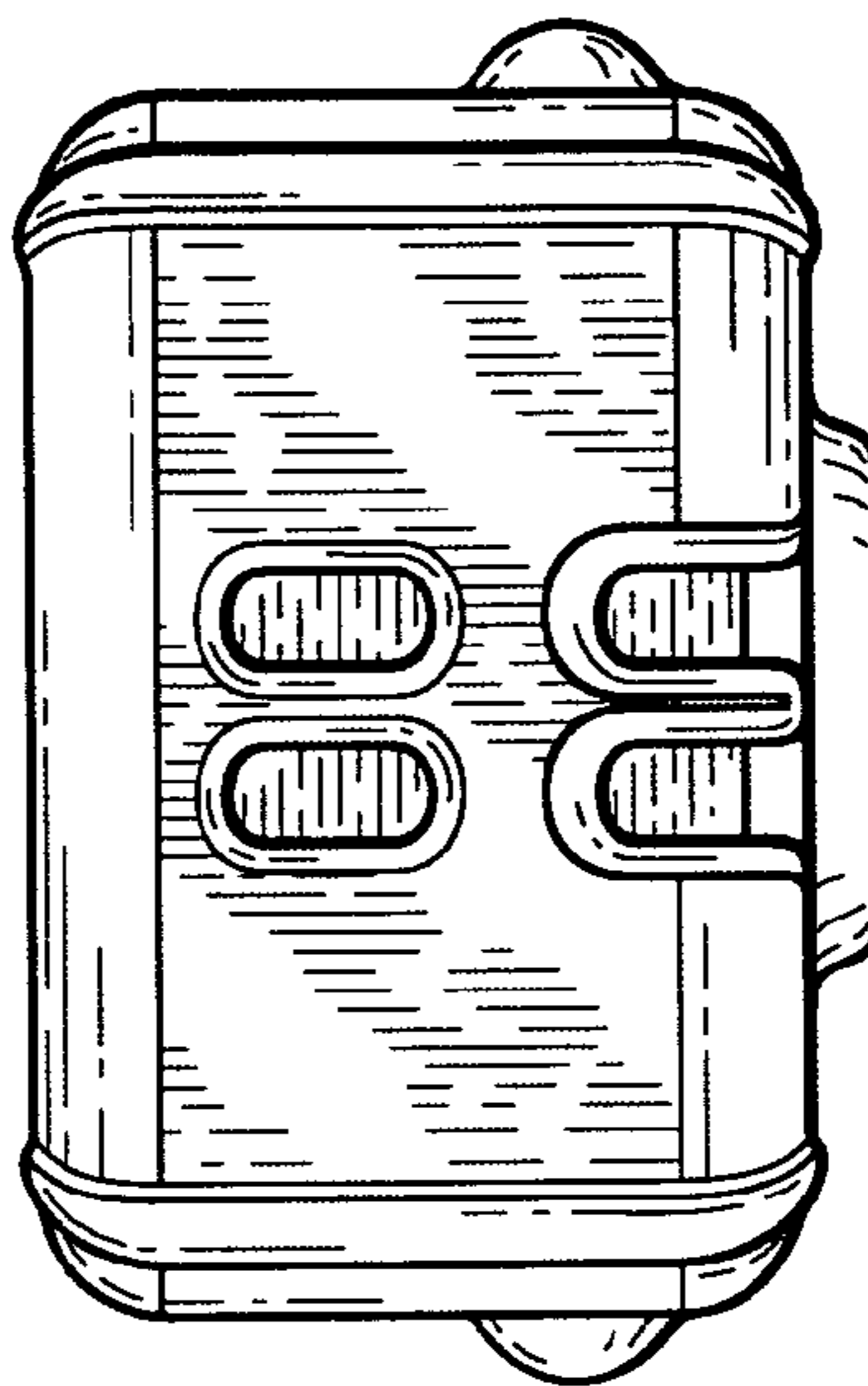


FIG. 5

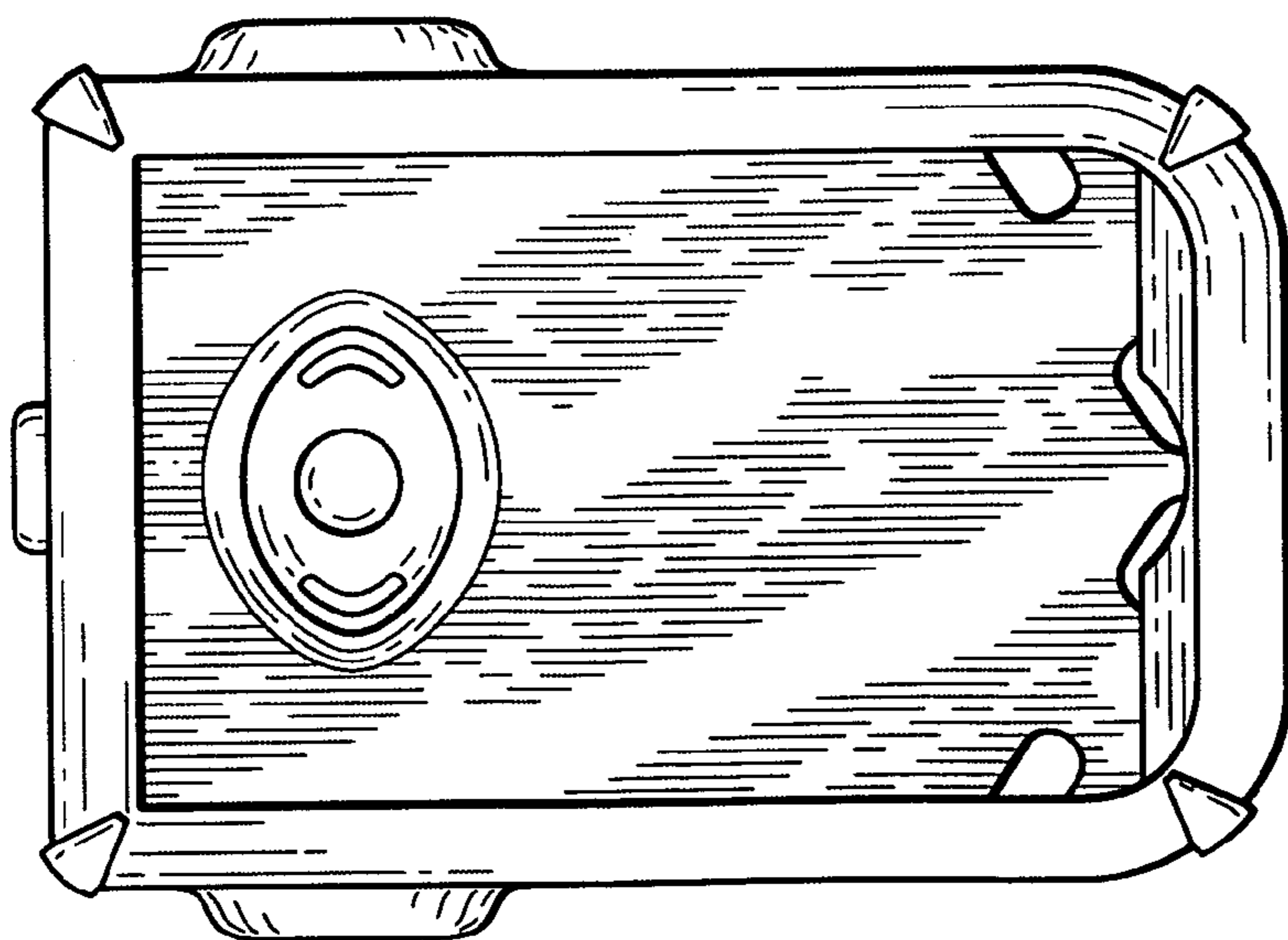


FIG. 6

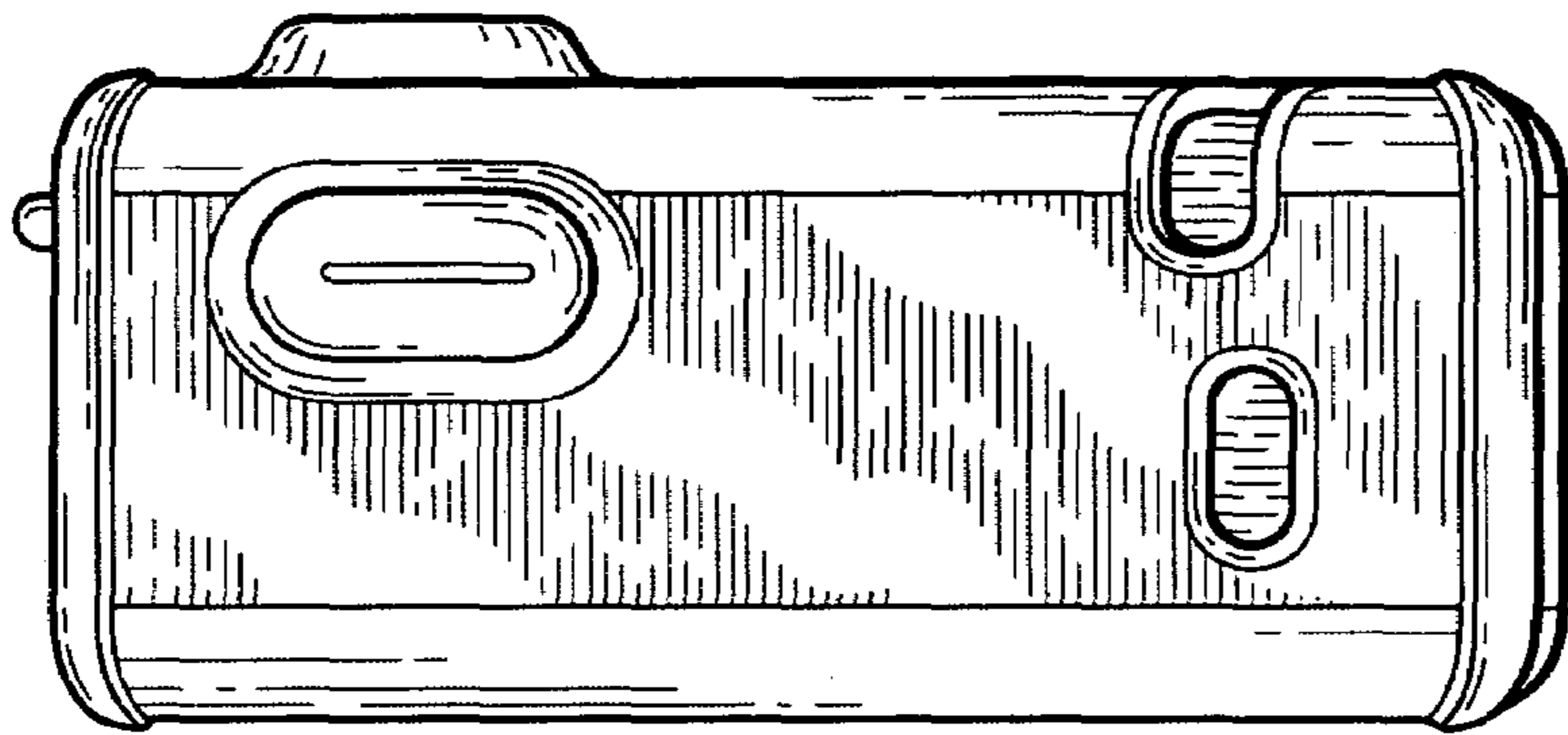


FIG. 7

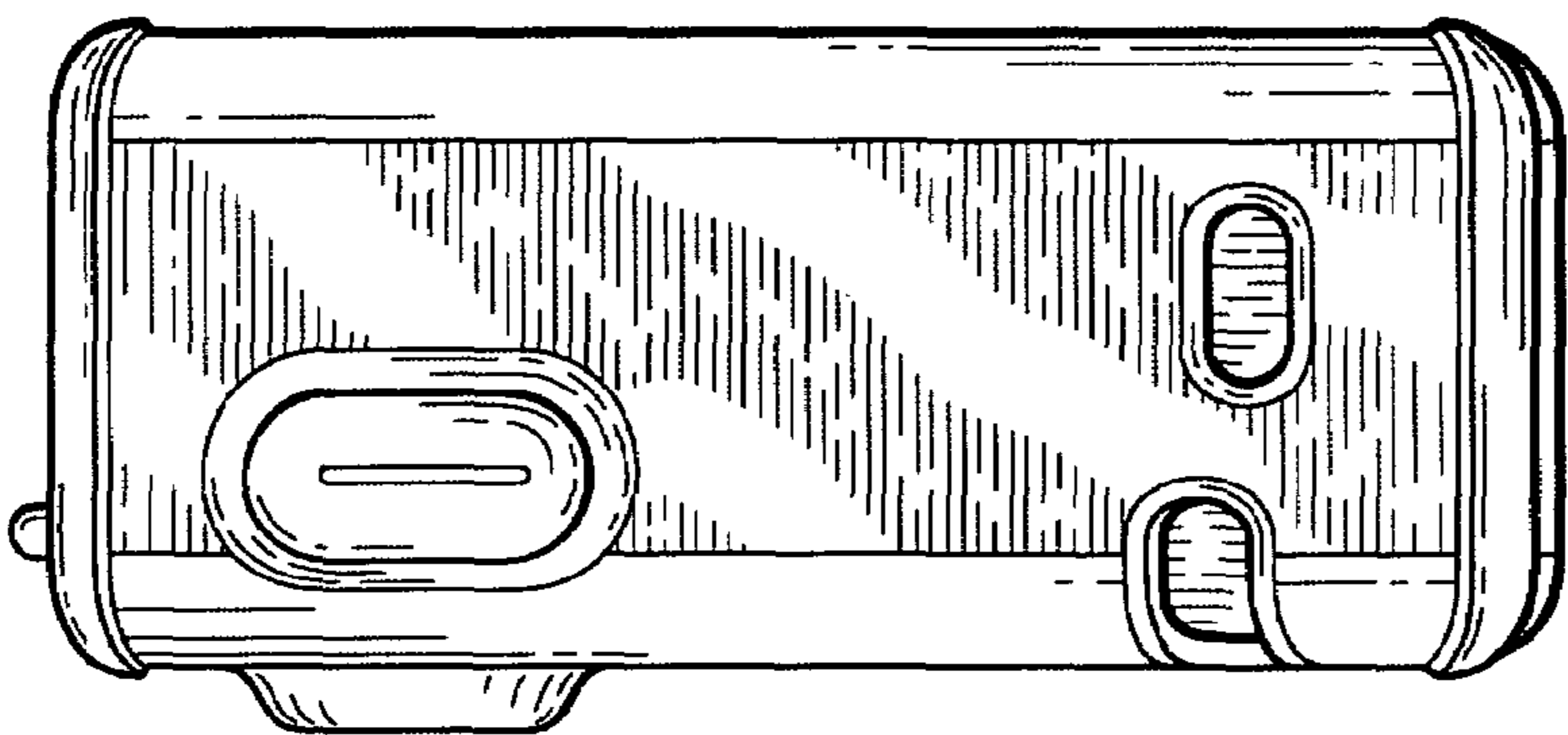


FIG. 8