



US00D579809S

(12) **United States Design Patent**
Lin

(10) **Patent No.:** **US D579,809 S**
(45) **Date of Patent:** **** Nov. 4, 2008**

(54) **GAUGE COVER WITH VISOR**

(75) Inventor: **Jack Po-Shuo Lin**, Carson, CA (US)

(73) Assignee: **United Pacific Industries Inc.**, Carson, CA (US)

(**) Term: **14 Years**

(21) Appl. No.: **29/265,768**

(22) Filed: **Sep. 8, 2006**

(51) **LOC (8) Cl.** **10-04**

(52) **U.S. Cl.** **D10/103**

(58) **Field of Classification Search** D10/102,
D10/103, 128, 132, 46, 98, 122; 116/62.1,
116/62.2, 62.3, 62.4, DIG. 35, DIG. 36; D12/192;
368/285, 276, 294, 295, 286
See application file for complete search history.

(56) **References Cited**

U.S. PATENT DOCUMENTS

- D30,399 S * 3/1899 Pelouze D10/126
- 2,062,891 A * 12/1936 Kousin 368/285
- D136,825 S * 12/1943 Weingart D10/103
- D156,571 S * 12/1949 Snow D10/102
- 2,566,741 A * 9/1951 Newhouse 368/285
- 3,045,637 A * 7/1962 La Fata 116/57
- D193,871 S * 10/1962 Bosland D10/98
- D195,357 S * 6/1963 McFadyen D12/192
- D198,279 S * 5/1964 Karbo D10/102
- D201,255 S * 6/1965 Czapar D10/102
- D233,552 S * 11/1974 Schwartz D10/98
- D244,763 S * 6/1977 Stefaniak D10/98
- D249,938 S * 10/1978 Shaffer et al. D10/98

- D261,752 S * 11/1981 Iwakura D12/114
- D277,367 S * 1/1985 Huret et al. D10/98
- D416,822 S * 11/1999 Slate et al. D10/103
- D440,926 S * 4/2001 Pfeiffer D12/192
- D452,180 S * 12/2001 Rose D10/98
- D470,090 S * 2/2003 Sawabe D12/192
- D475,957 S * 6/2003 Machinek D12/192
- 6,585,385 B2 * 7/2003 Nakagawa et al. 362/23
- D491,853 S * 6/2004 Sato et al. D12/192
- 6,802,276 B2 * 10/2004 Sugimoto 116/62.1
- D505,101 S * 5/2005 Juraschek D12/192
- D509,764 S * 9/2005 Watson et al. D10/98
- D514,968 S * 2/2006 Tahira et al. D10/102
- 7,077,535 B2 * 7/2006 Wu 362/26
- D529,423 S * 10/2006 Yu et al. D12/192
- D537,744 S * 3/2007 Wu D10/102
- 7,404,374 B2 * 7/2008 Kato 116/286

* cited by examiner

Primary Examiner—Lucy Lieberman

(74) *Attorney, Agent, or Firm*—Lisa A. Karczewski; Chan Law Group LLP

(57) **CLAIM**

The ornamental design for a gauge cover with visor, as shown.

DESCRIPTION

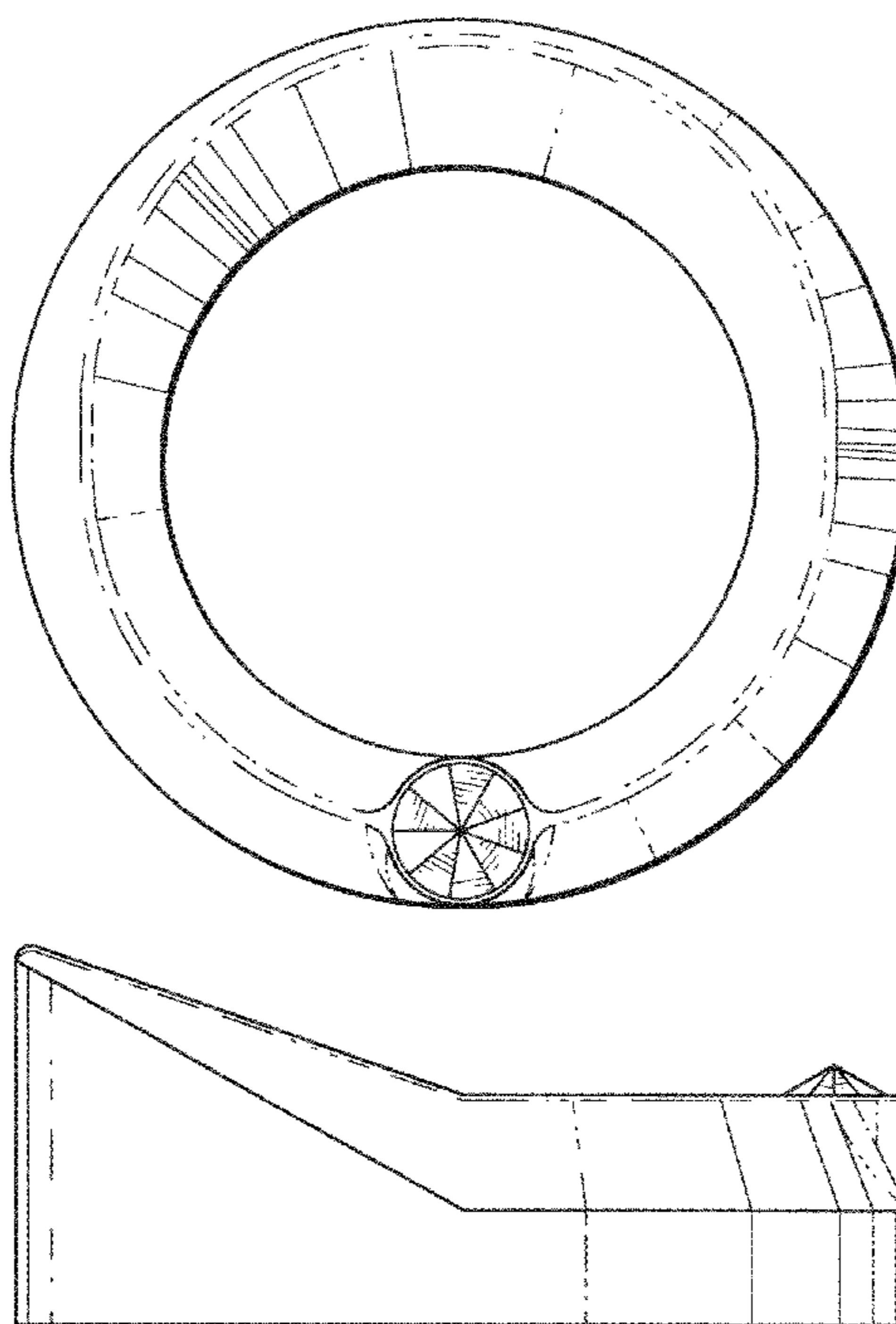
FIG. 1 is a top view of the gauge cover with visor according to the present design.

FIG. 2 is a side elevation view thereof.

FIG. 3 is a front elevation view thereof; and,

FIG. 4 is a rear elevation view thereof.

1 Claim, 2 Drawing Sheets



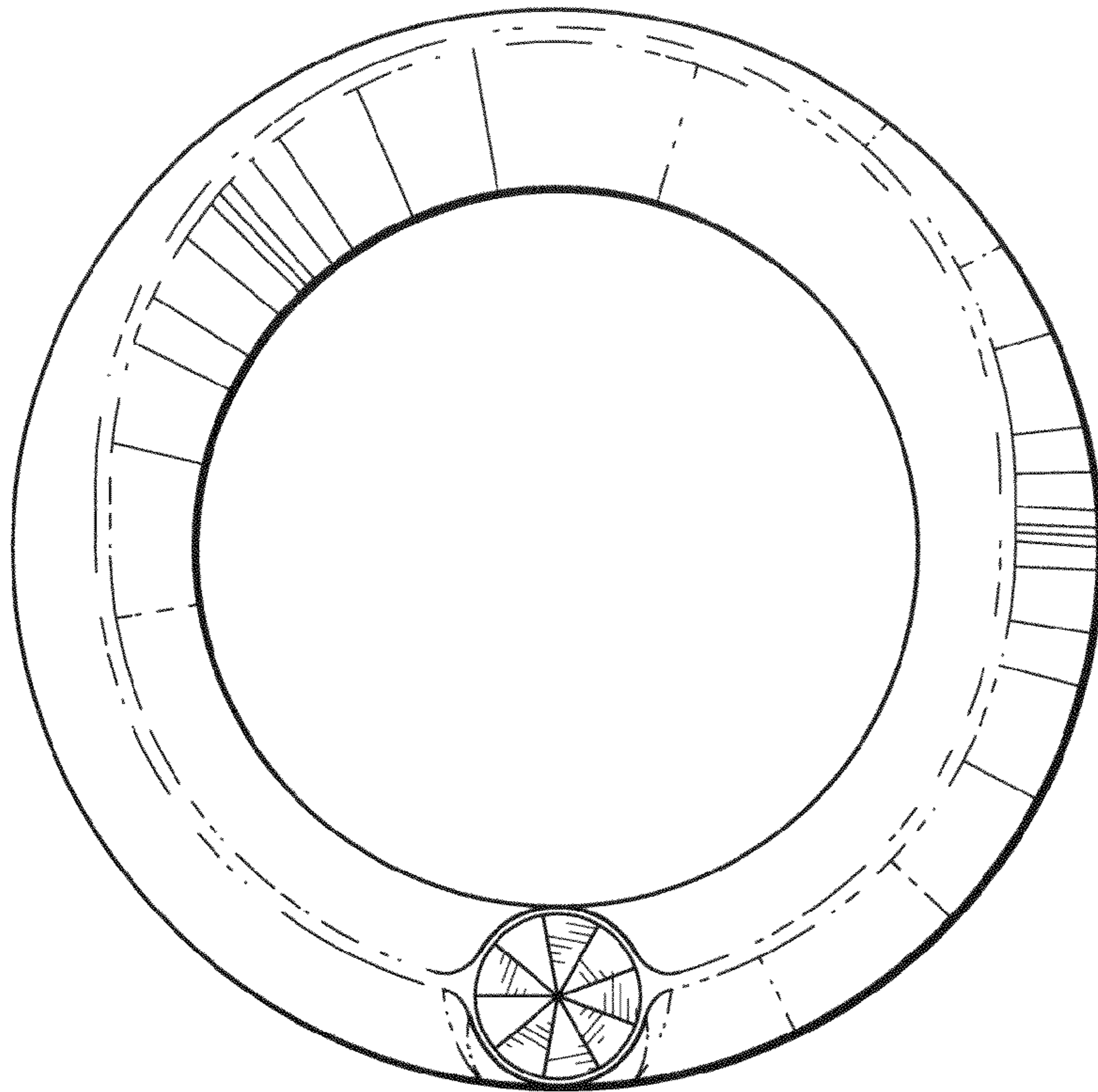


FIG. 1

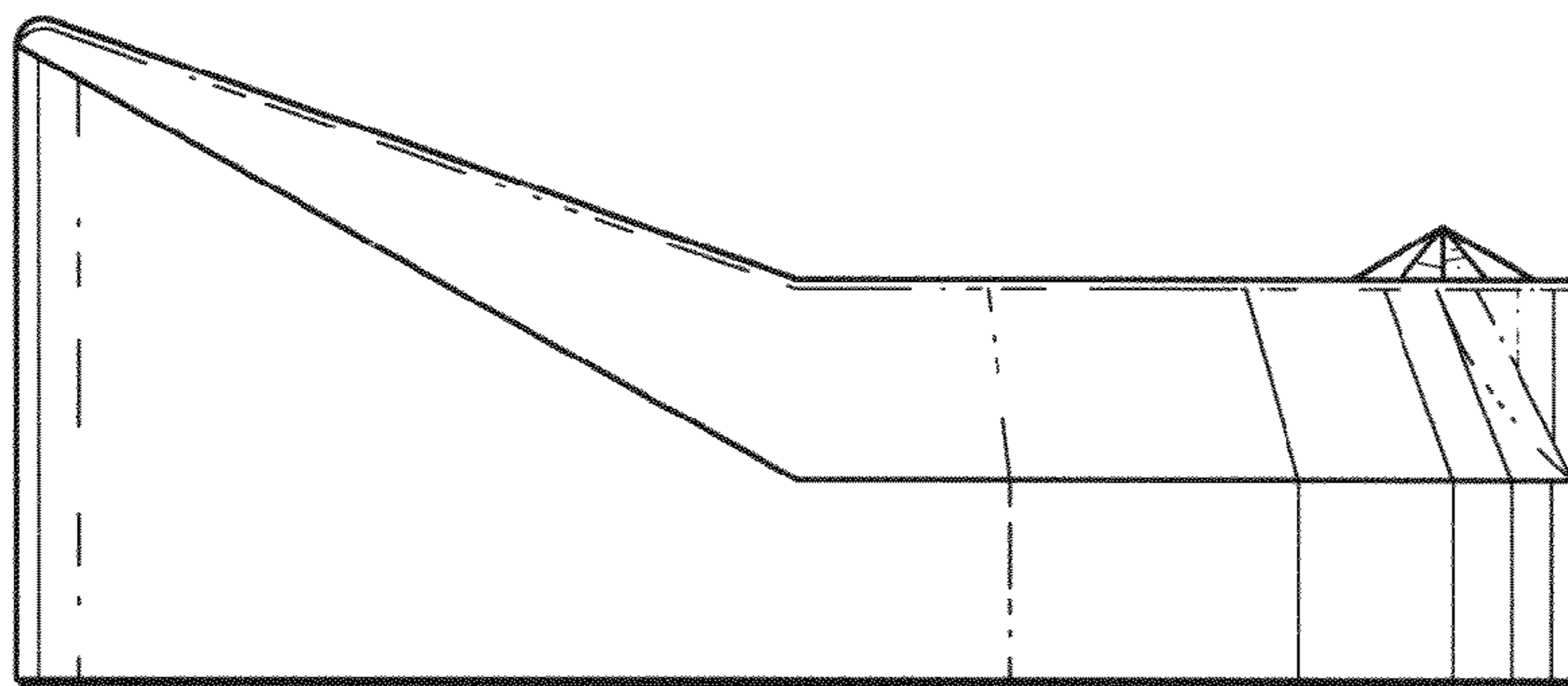


FIG. 2

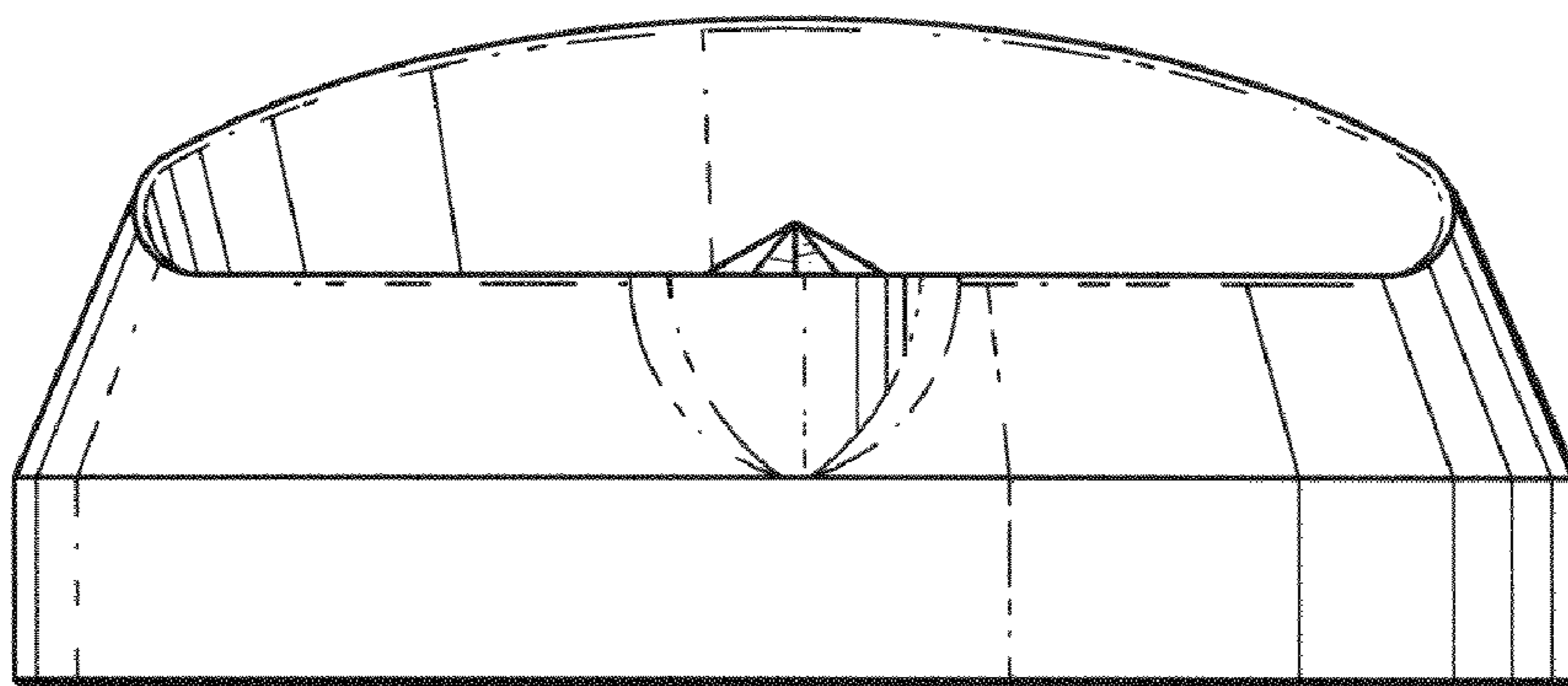


FIG. 3

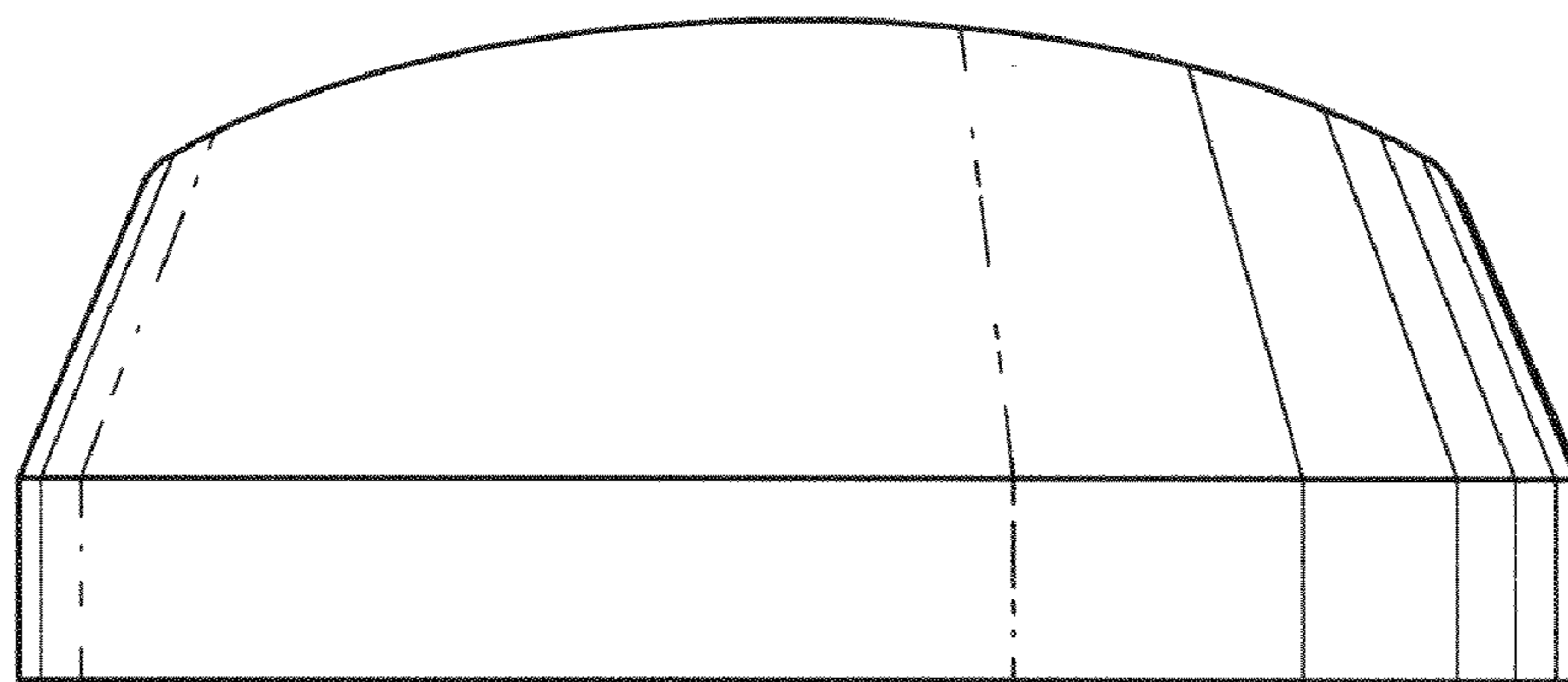


FIG. 4