



US00D579807S

(12) **United States Design Patent**
Richardson

(10) **Patent No.:** **US D579,807 S**
(45) **Date of Patent:** **** Nov. 4, 2008**

(54) **TAPE ROLL HOOK**

(76) Inventor: **John Carroll Richardson**, 1149 E. Chandler Blvd., Chandler, AZ (US) 85225

(**) Term: **14 Years**

(21) Appl. No.: **29/295,806**

(22) Filed: **Oct. 7, 2007**

(51) **LOC (8) Cl.** **10-04**

(52) **U.S. Cl.** **D10/74**

(58) **Field of Classification Search** D10/72, D10/74; D8/394-395; 33/768-770

See application file for complete search history.

(56) **References Cited**

U.S. PATENT DOCUMENTS

D156,659 S *	12/1949	Reed	D8/395
D165,253 S *	11/1951	Ward	D8/395
D537,329 S *	2/2007	Blanton	D8/395
D559,714 S *	1/2008	Liao	D10/74

* cited by examiner

Primary Examiner—Antoine D Davis
(74) *Attorney, Agent, or Firm*—Keith L. Jenkins Registered Patent Attorney, LLC; Keith L. Jenkins

(57) **CLAIM**

The ornamental design for a tape roll hook, as shown and described.

DESCRIPTION

FIG. 1 is a front elevation view illustrating my design for a tape roll hook showing portions of a back panel appearance,

portions of a clip appearance, a tapered hook appearance, a tip appearance on the hook appearance, and a logo frame appearance, shown without a logo, on the clip appearance;

FIG. 2 is a left-side elevation view illustrating my design as shown in FIG. 1 showing a left side appearance of a back panel appearance, a clip appearance with a multiple engagement-ridge appearance within said clip appearance, a hook appearance extending from said clip appearance, and a tip appearance with a smoothly arcuate top surface;

FIG. 3 is a rear elevation view illustrating my design as shown in FIG. 1 showing a back panel appearance;

FIG. 4 is a right-side elevation view illustrating my design as shown in FIG. 1 showing a right side appearance of a back panel appearance, a clip appearance with a multiple engagement-ridge appearance within said clip appearance, a hook appearance extending from said clip appearance, and a tip appearance with a smoothly arcuate top surface;

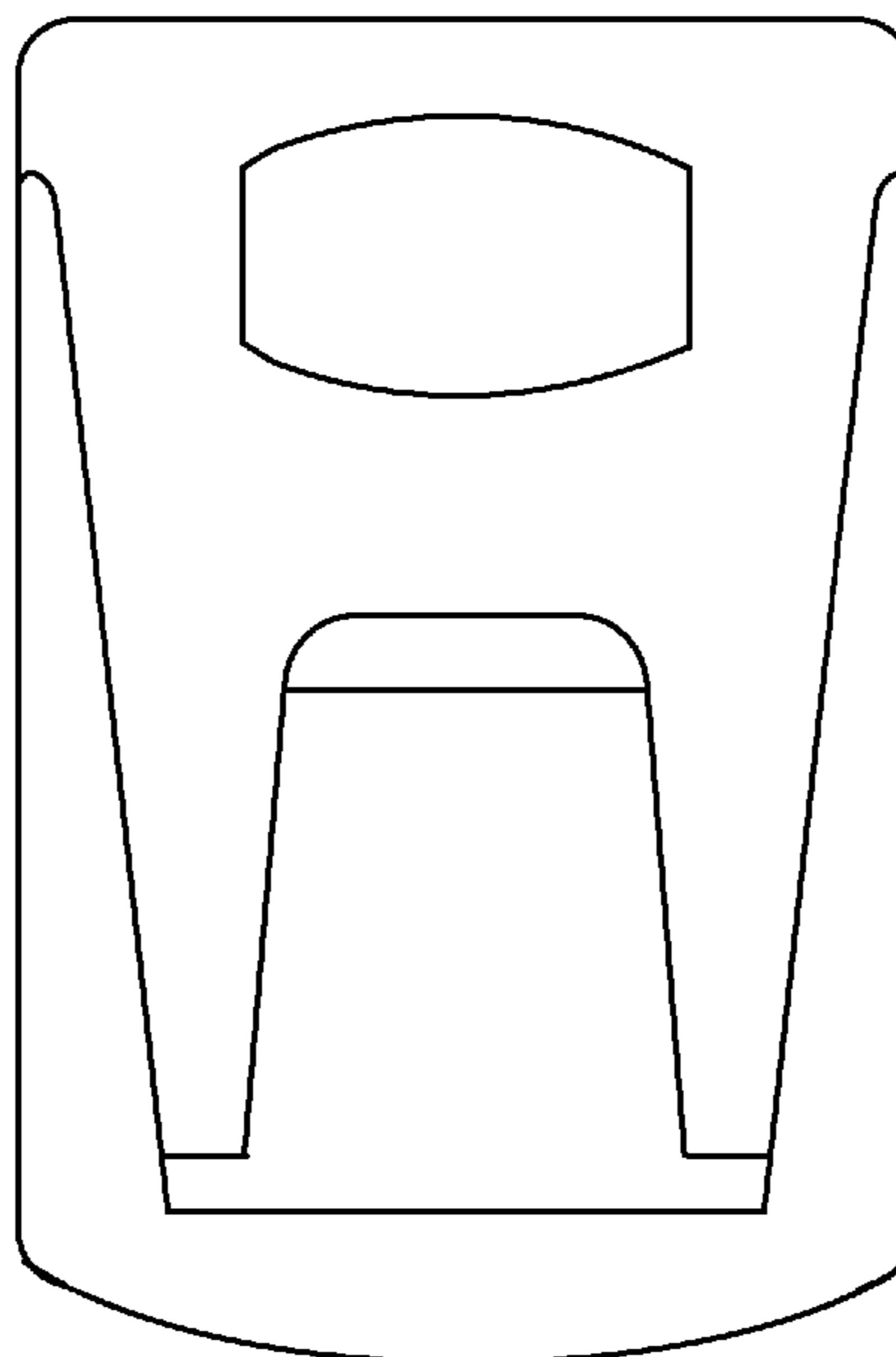
FIG. 5 is a top plan view illustrating my design as shown in FIG. 1 showing a tapered hook appearance extending from a clip appearance;

FIG. 6 is a bottom plan view illustrating my design as shown in FIG. 1 showing a tapered hook appearance extending from a clip appearance with a partial view of a multiple engagement-ridge appearance within said clip appearance;

FIG. 7 is a front elevation view illustrating my design for a tape roll hook showing a back panel appearance, a partial clip appearance, a tapered hook appearance, a tip appearance on the hook appearance, and a logo frame shown with a logo; and,

FIG. 8 is a front elevation view illustrating my design for a tape roll hook showing a back panel appearance, a partial clip appearance, a tapered hook appearance, a tip appearance on the hook appearance, and no logo frame.

1 Claim, 4 Drawing Sheets



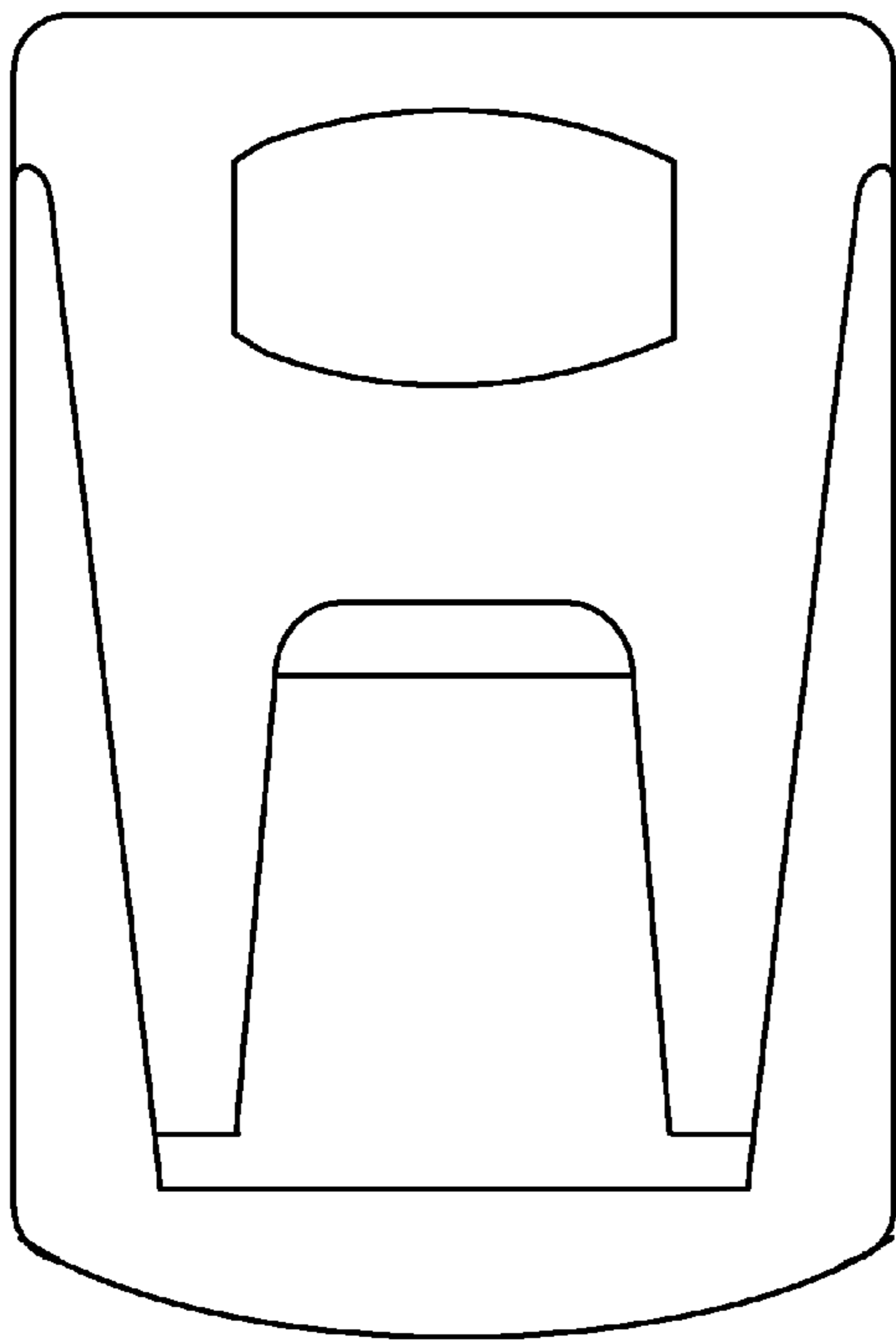


FIG. 1

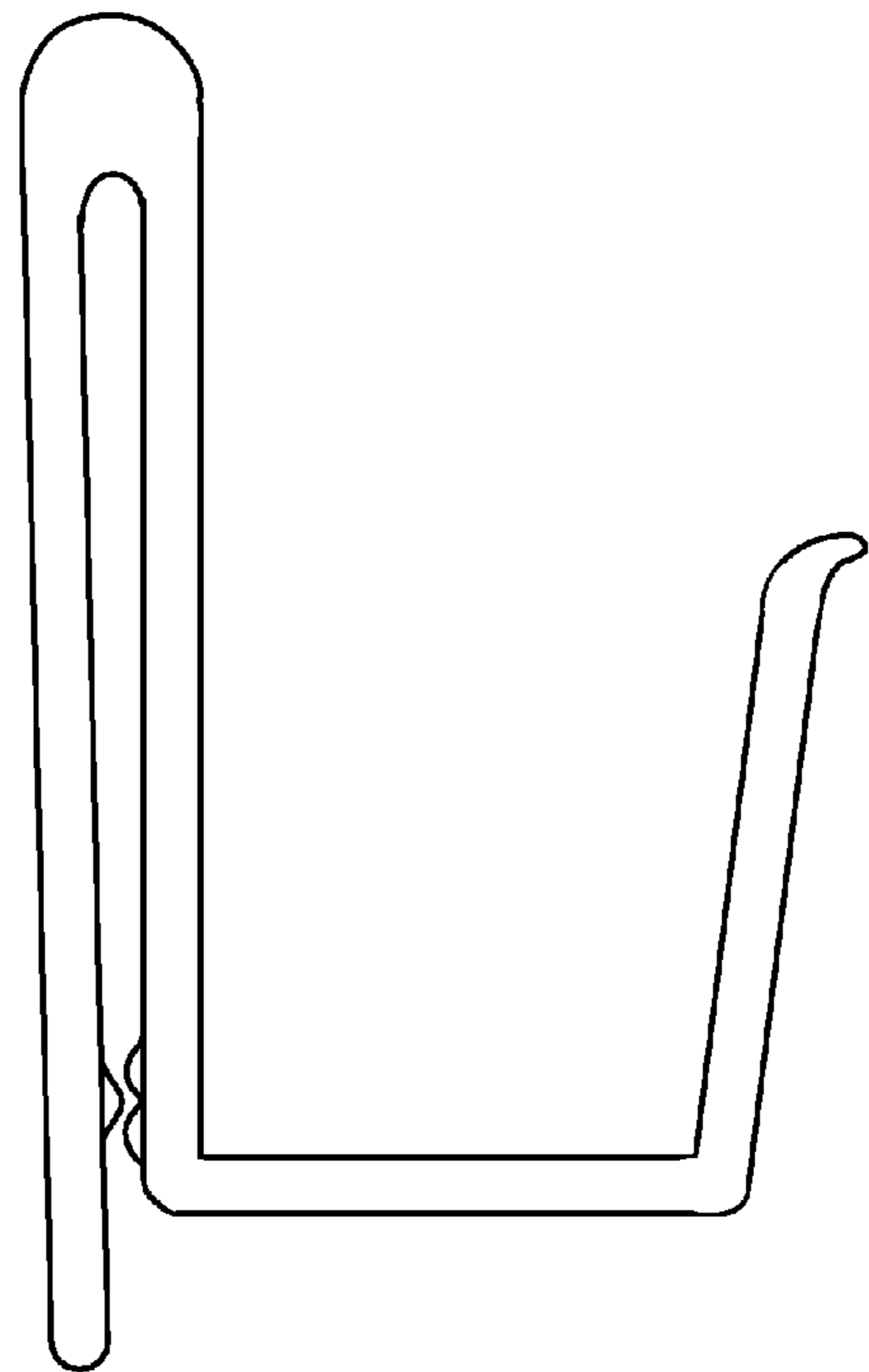


FIG. 2

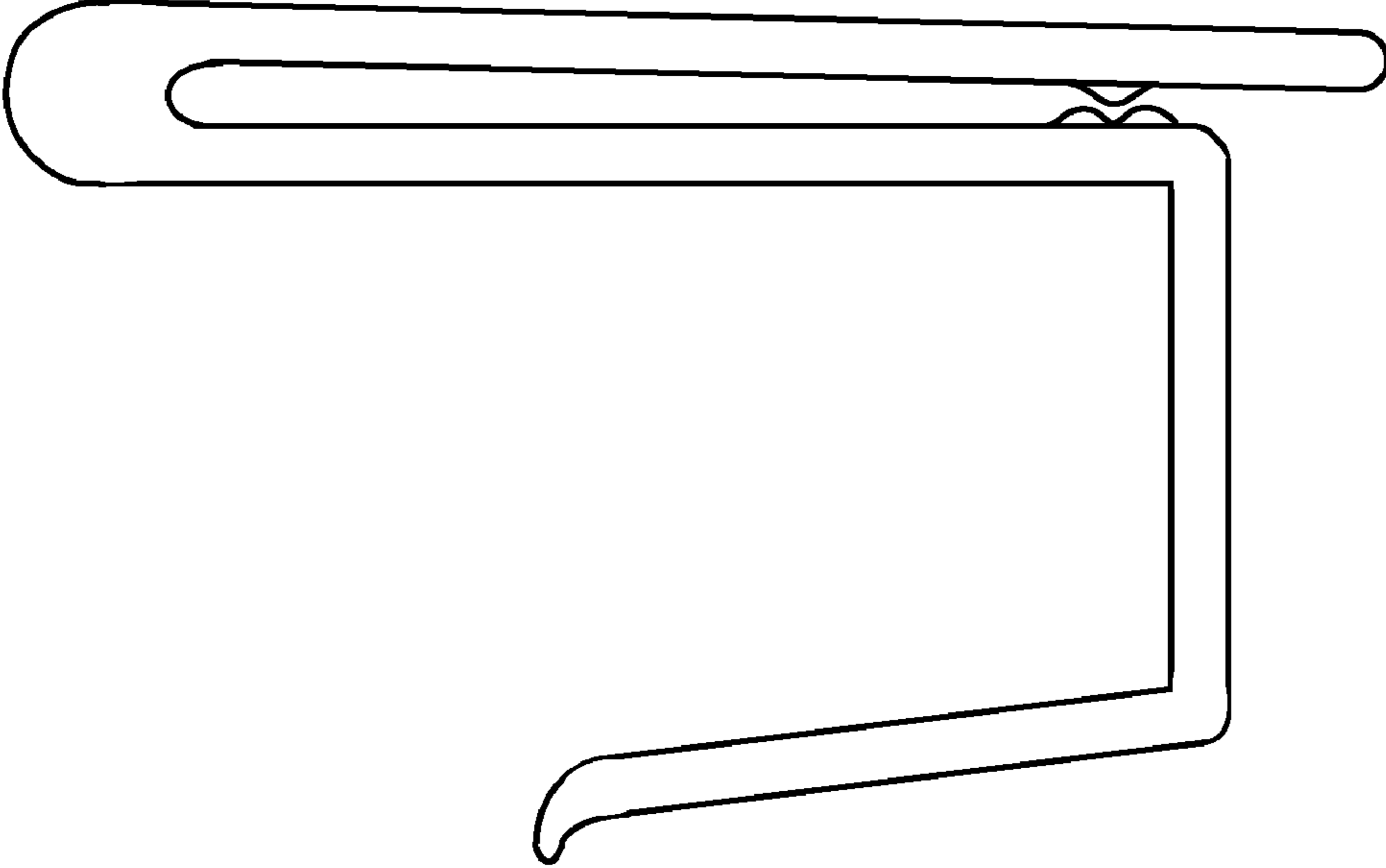


FIG. 4

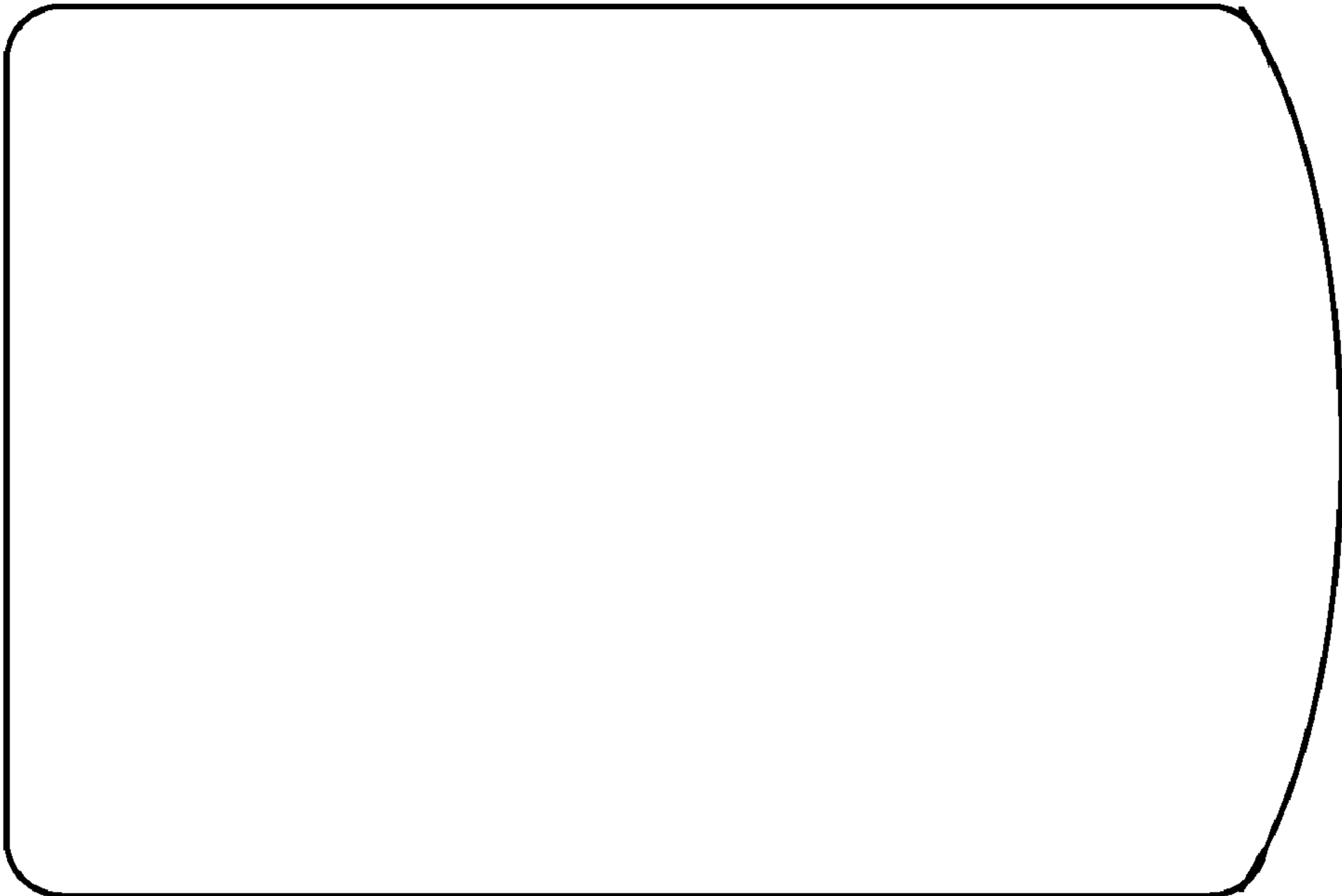


FIG. 3

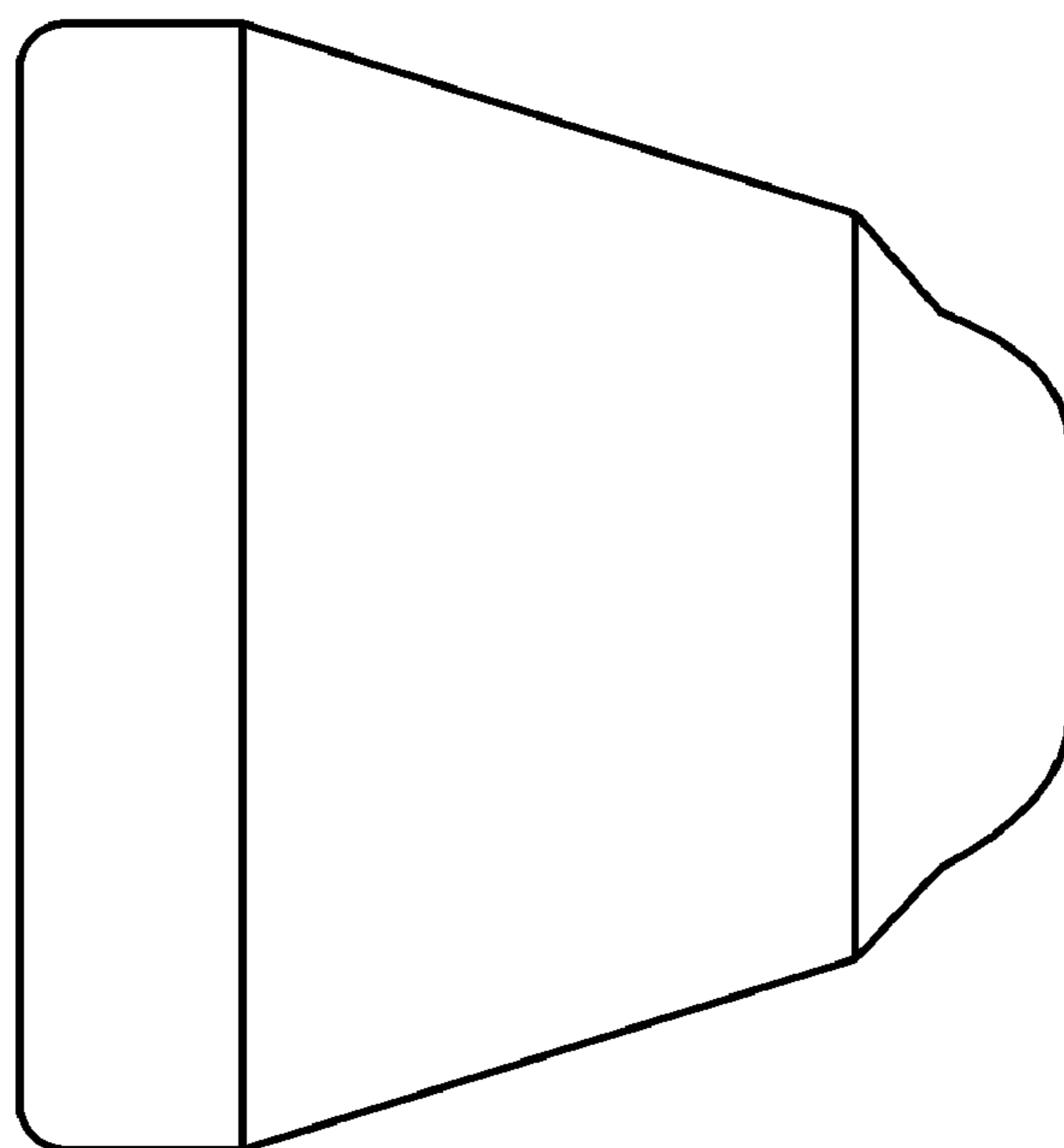


FIG. 5

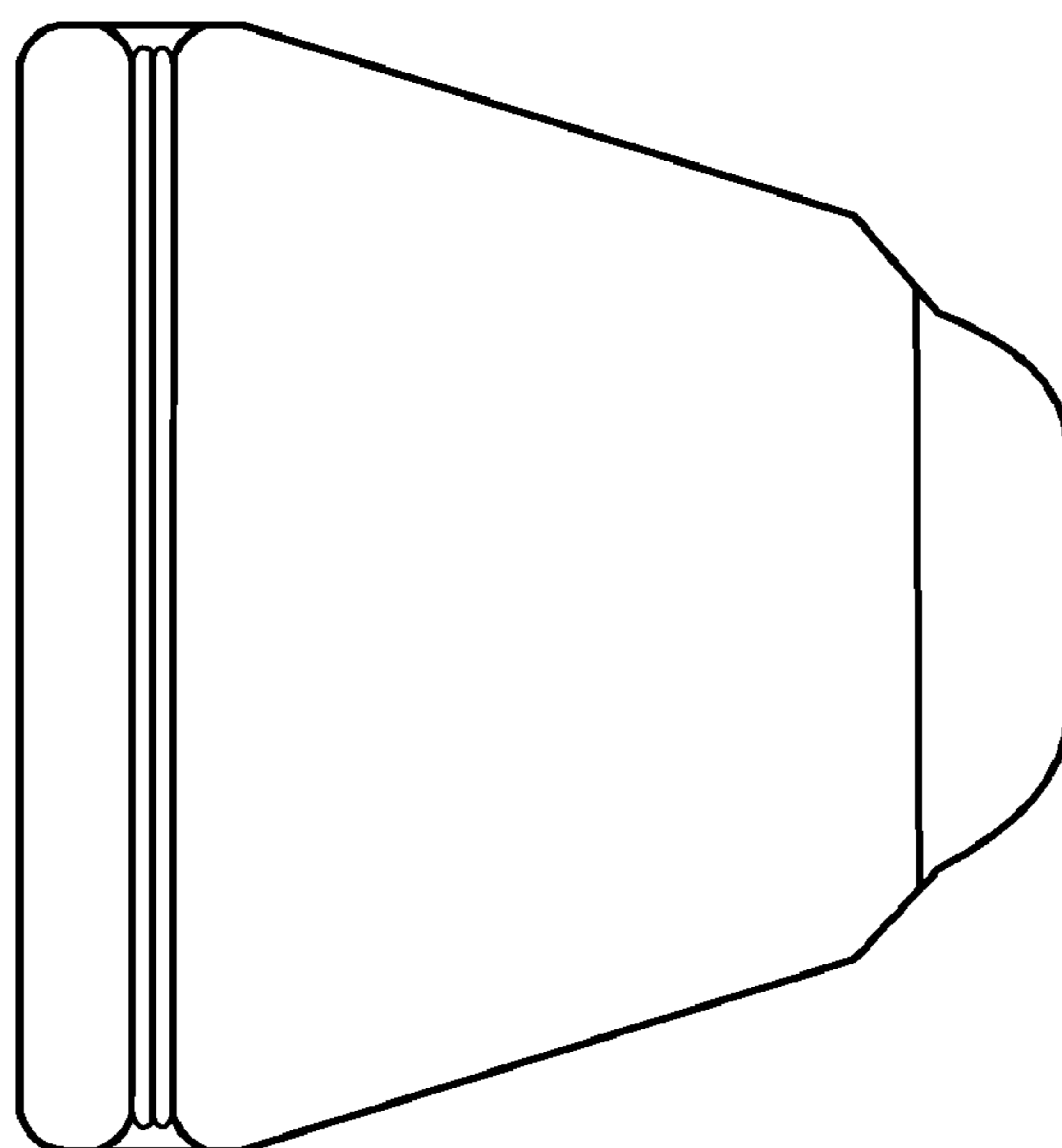


FIG. 6

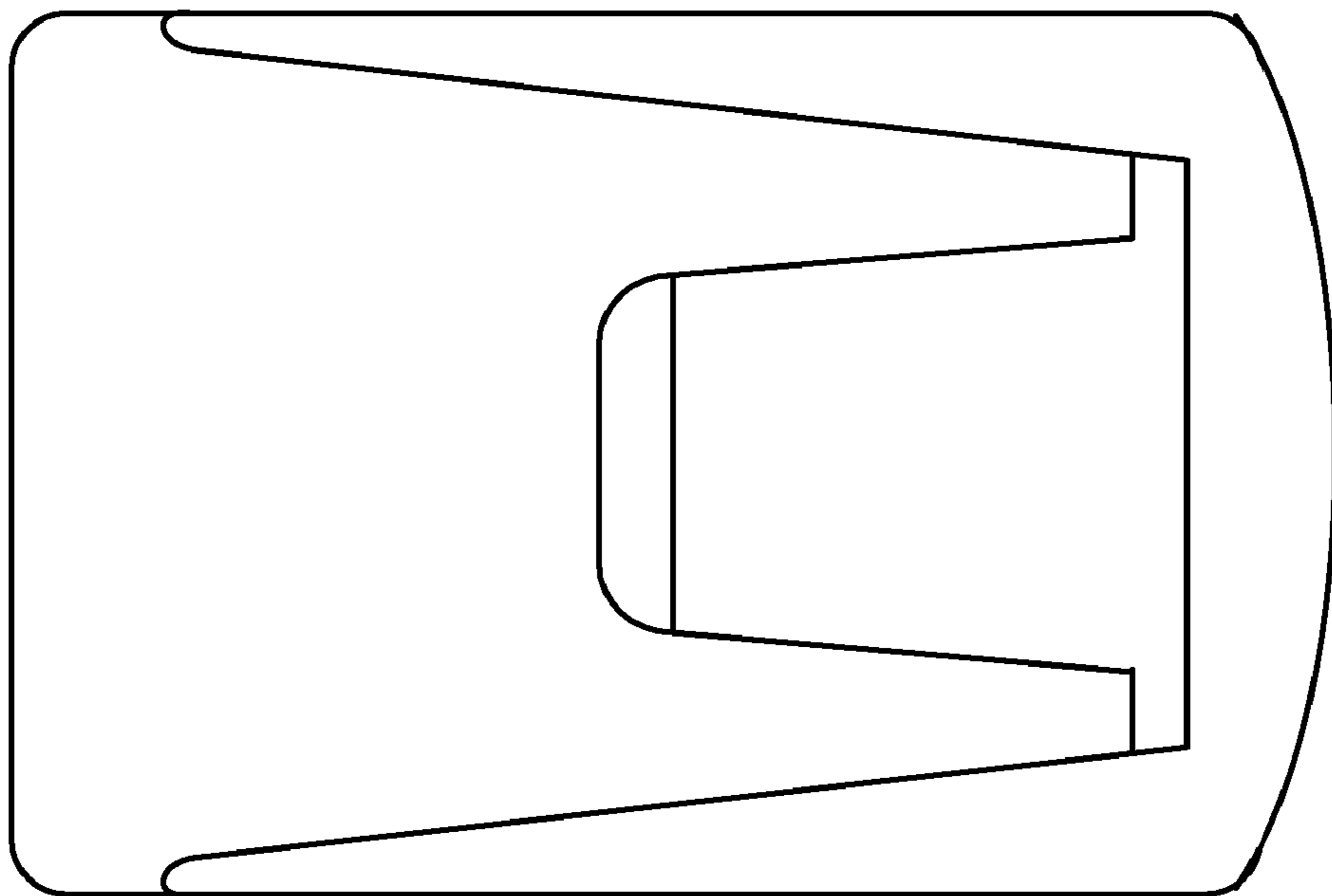


FIG. 8

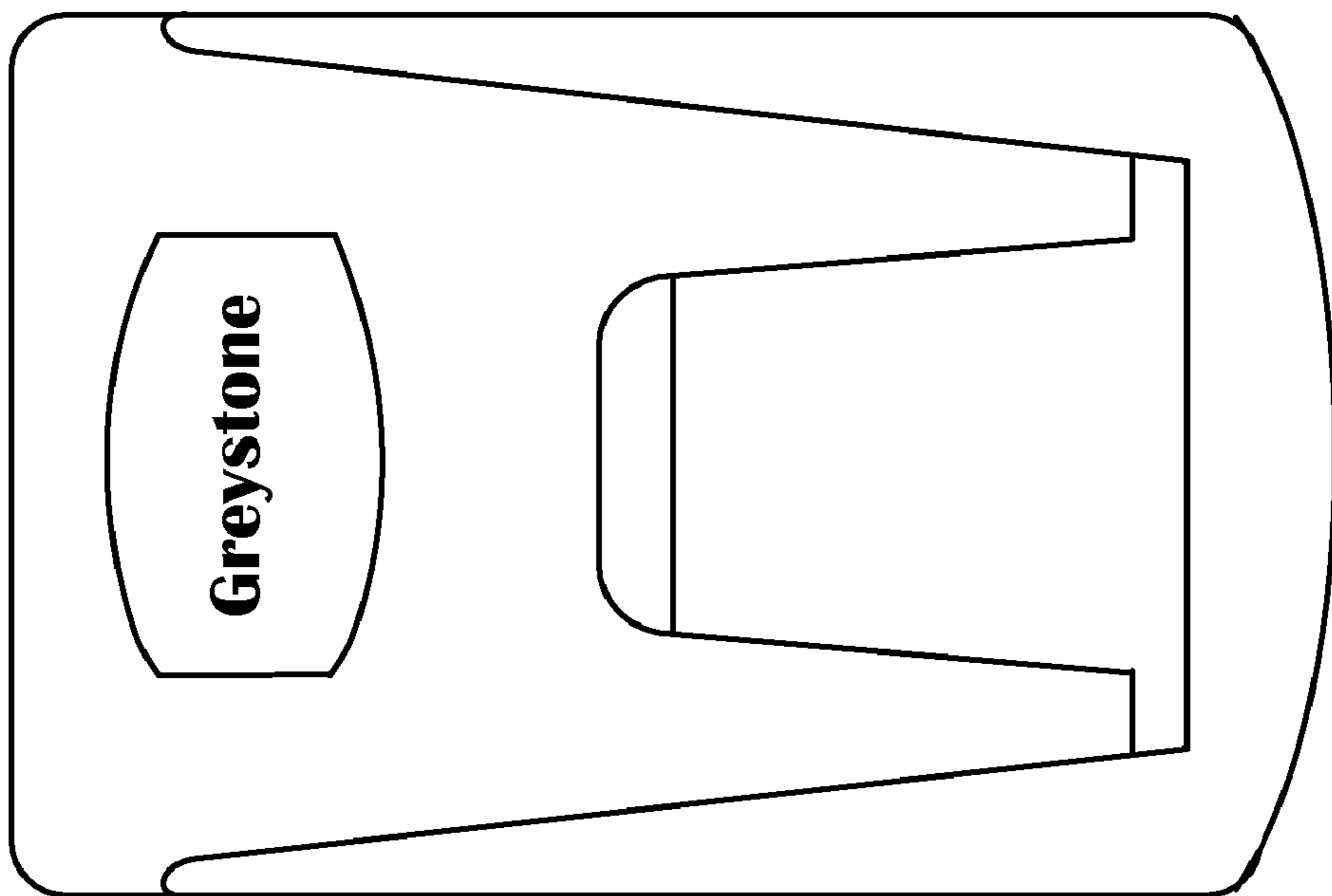


FIG. 7