



US00D579803S

(12) **United States Design Patent**
Crain et al.

(10) **Patent No.:** **US D579,803 S**
(45) **Date of Patent:** **** Nov. 4, 2008**

(54) **LEVEL FOR A SURVEY ROD**

(75) Inventors: **Stephen B. Crain**, Cape Girardeau, MO (US); **Clinton J. Mize**, Dongola, IL (US); **Lindsey Marie Davis**, Cape Girardeau, MO (US)

(73) Assignee: **Crain Enterprises, Inc.**, Mound City, IL (US)

(**) Term: **14 Years**

(21) Appl. No.: **29/298,553**

(22) Filed: **Dec. 7, 2007**

(51) **LOC (8) Cl.** **10-04**

(52) **U.S. Cl.** **D10/69**

(58) **Field of Classification Search** D10/69;
33/290-296, 333-334, 370-371, 373, 391-392,
33/397, 402, 404

See application file for complete search history.

(56) **References Cited**

U.S. PATENT DOCUMENTS

2,096,638	A	10/1937	Higgins, Jr.	
3,057,250	A	10/1962	Griffith	
4,290,207	A	9/1981	Browning	
4,343,093	A *	8/1982	Eadens	33/373
5,255,441	A	10/1993	Burgess	
5,459,934	A	10/1995	Heroux	
5,701,679	A	12/1997	Buzikievich	
5,791,609	A	8/1998	Hankins	
6,772,526	B1	8/2004	Crain	
6,874,239	B1	4/2005	White	

* cited by examiner

Primary Examiner—Antoine D Davis

(74) *Attorney, Agent, or Firm*—Senniger Powers LLP

(57) **CLAIM**

The ornamental design for a level for a survey rod, as shown and described.

DESCRIPTION

FIG. 1 is a perspective of a first embodiment of a level of the present invention, with arms for attaching the level to a survey rod and a fragmentary portion of the survey rod being shown in phantom;

FIG. 2 is a perspective view of the level as viewed from an opposite side;

FIG. 3 is a top plan view thereof;

FIG. 4 is a bottom plan view thereof;

FIG. 5 is a rear elevational view thereof;

FIG. 6 is a front elevational view thereof;

FIG. 7 is a right side elevational view thereof, a left side of the level being a mirror image of the right side;

FIG. 8 is a perspective of a second embodiment of a level of the present invention including arms for attaching to a survey rod, a fragmentary portion of the survey rod being shown in phantom;

FIG. 9 is a perspective view of the level as viewed from an opposite side;

FIG. 10 is a top plan view thereof;

FIG. 11 is a bottom plan view thereof;

FIG. 12 is a rear elevational view thereof;

FIG. 13 is a front elevational view thereof;

FIG. 14 is a right side elevational view thereof, a left side of the level being a mirror image of the right side;

FIG. 15 is a perspective view of the level with arms of the level pivoted to a stowed position of the level;

FIG. 16 is a top plan view thereof;

FIG. 17 is a bottom plan view thereof;

FIG. 18 is a rear elevational view thereof;

FIG. 19 is a front elevational view thereof;

FIG. 20 is a right side elevational view thereof, the left side of the level being a mirror image of the right side;

FIG. 21 is a perspective of a third embodiment of a level of the present invention including legs for attaching to a survey rod, a fragmentary portion of the survey rod being shown in phantom;

FIG. 22 is a perspective view of the level;

FIG. 23 is a top plan view thereof;

FIG. 24 is a bottom plan view thereof;

FIG. 25 is a rear elevational view thereof;

FIG. 26 is a front elevational view thereof;

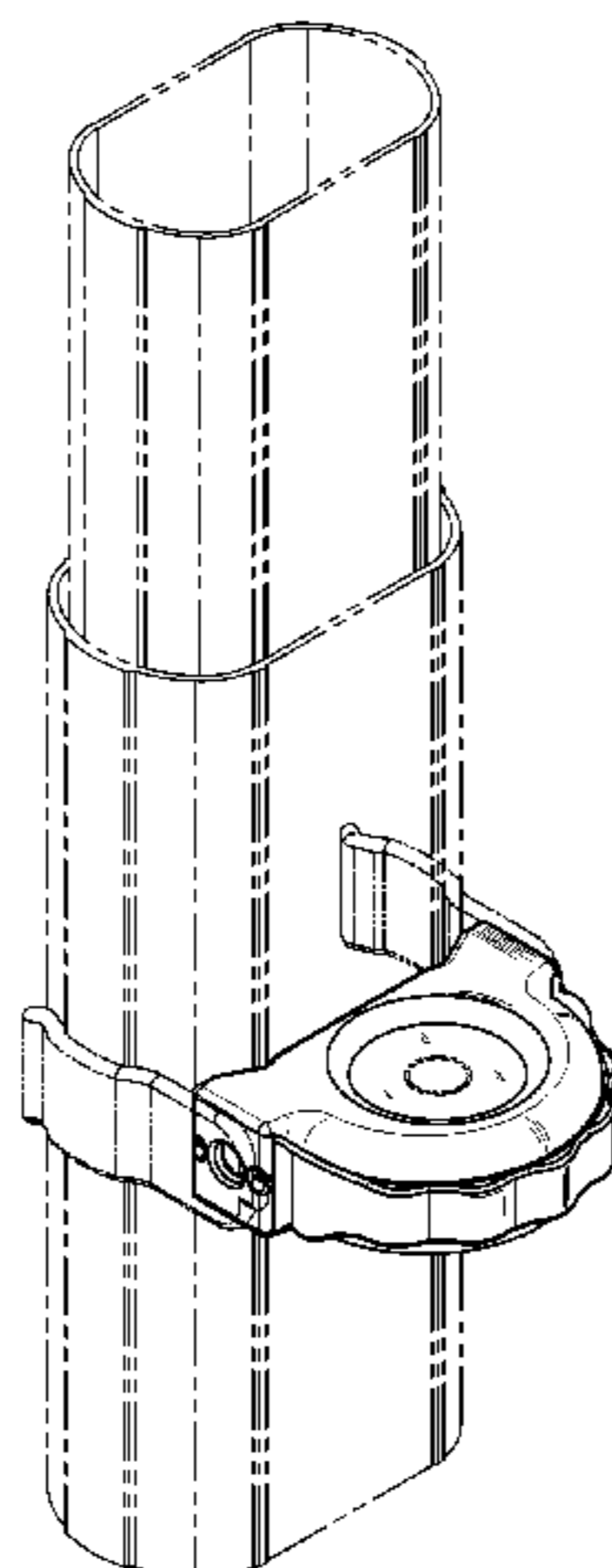


FIG. **27** is a right side elevational view thereof, a left side of the level being a mirror image of the right side;

FIG. **28** is a perspective view of the level with arms of the level pivoted to a stowed position of the level;

FIG. **29** is a top plan view thereof;

FIG. **30** is a bottom plan view thereof;

FIG. **31** is a rear elevational view thereof;

FIG. **32** is a front elevational view thereof; and,

FIG. **33** is a right side elevational view thereof, the left side of the level being a mirror image of the right side.

The phantom lines in the drawings indicate environmental structure which forms no part of the claimed design.

1 Claim, 33 Drawing Sheets

FIG. 1

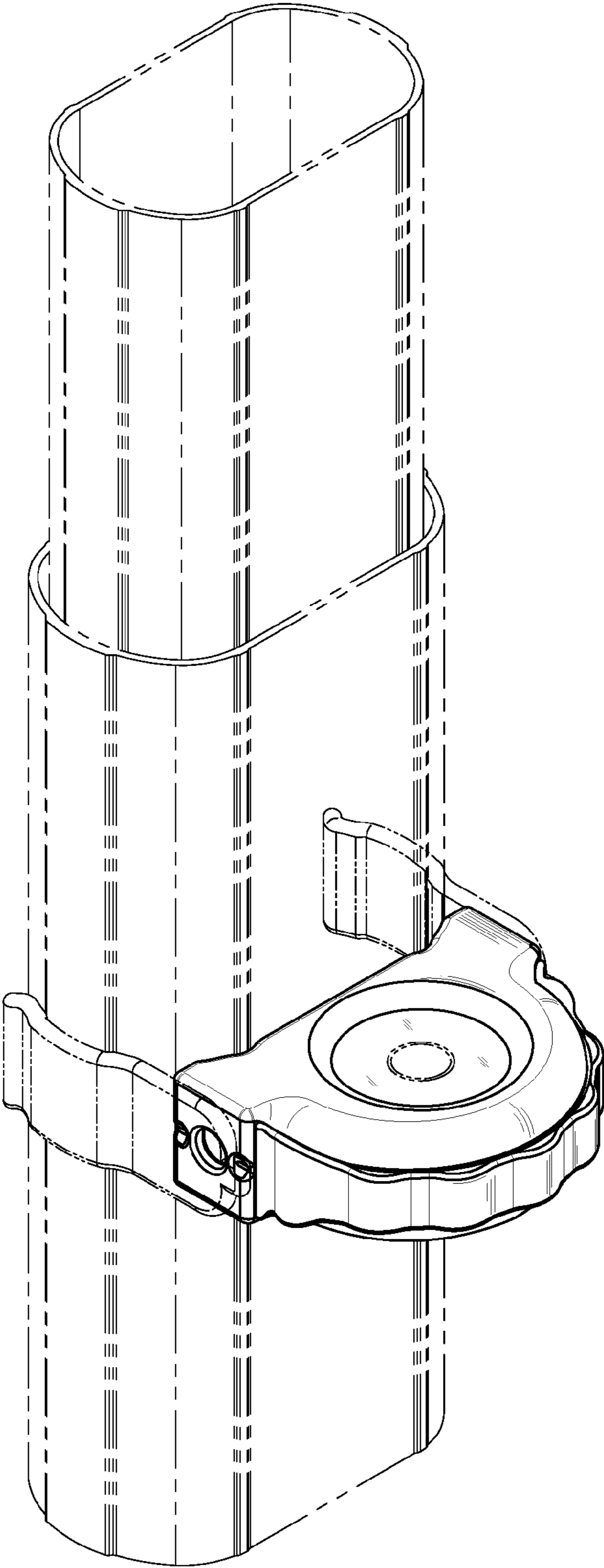


FIG. 2

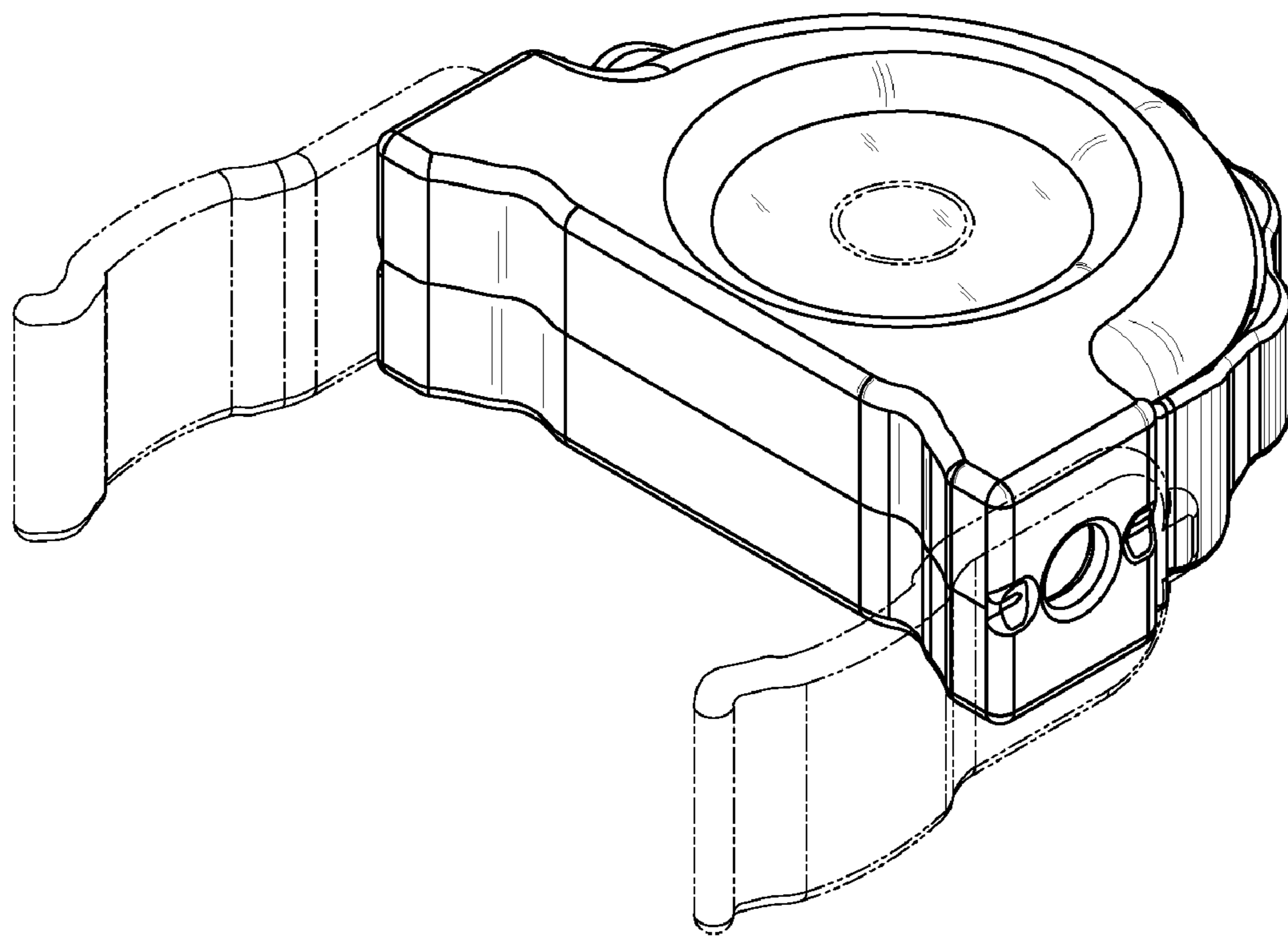


FIG. 3

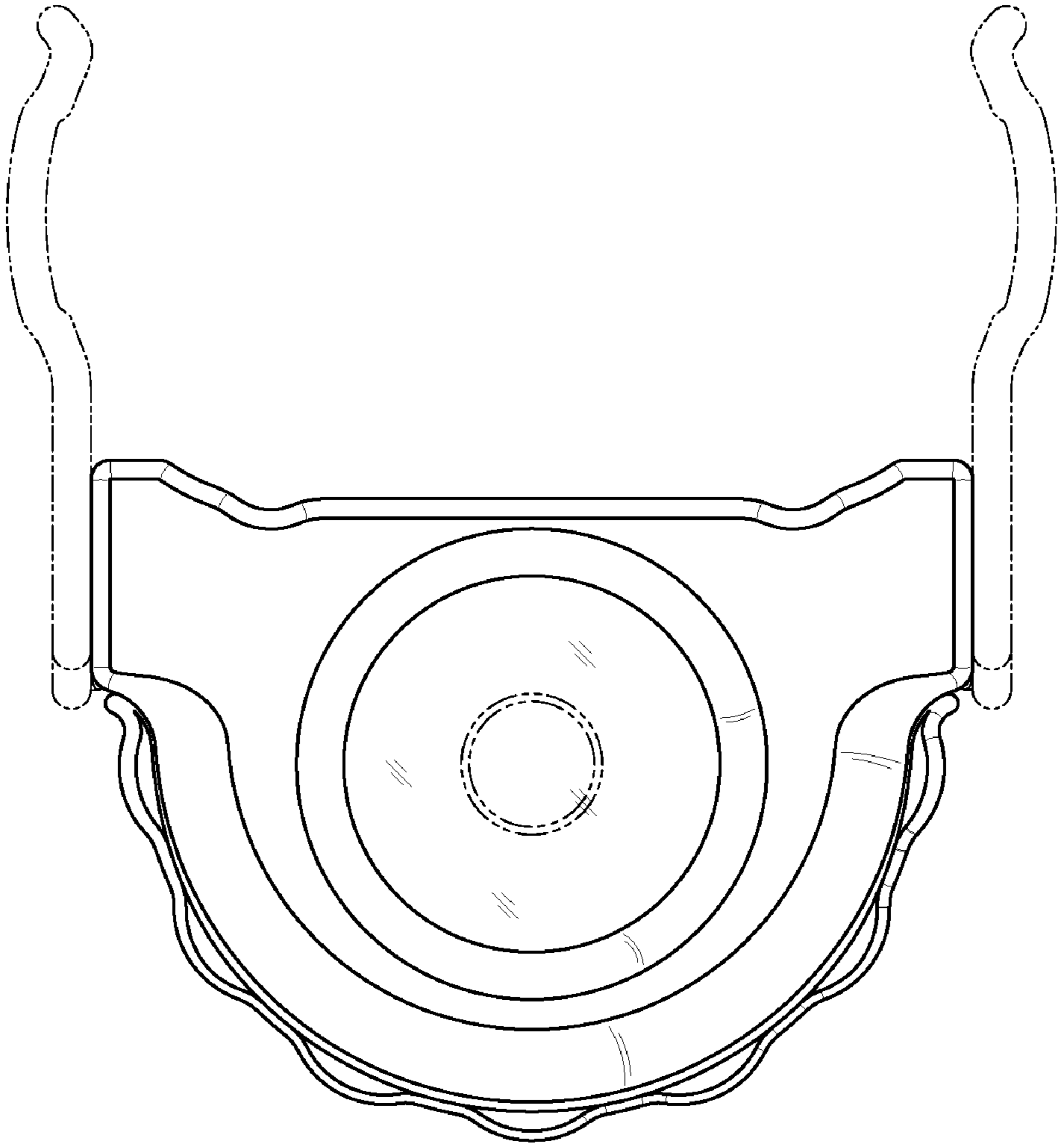


FIG. 4

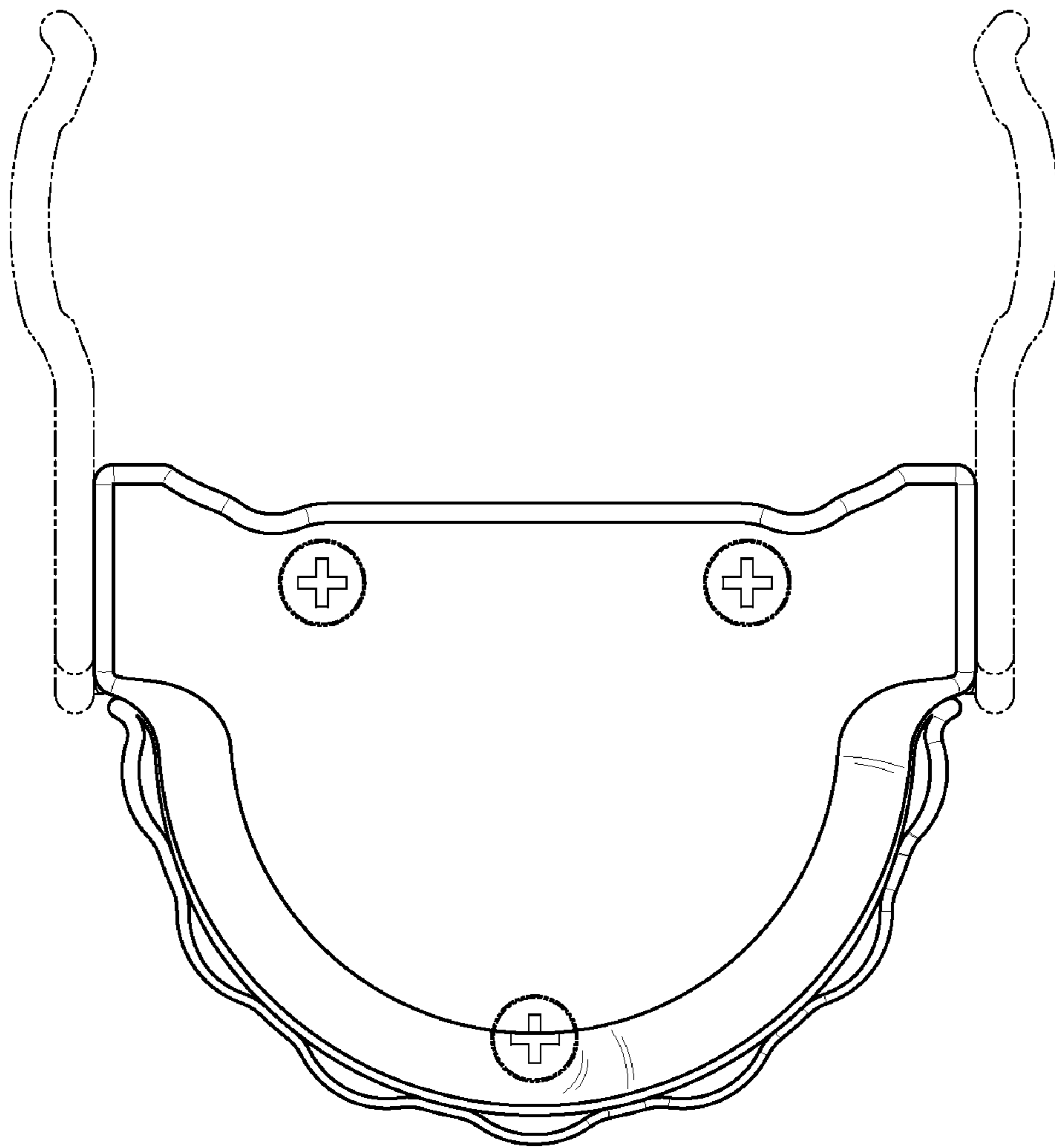


FIG. 5

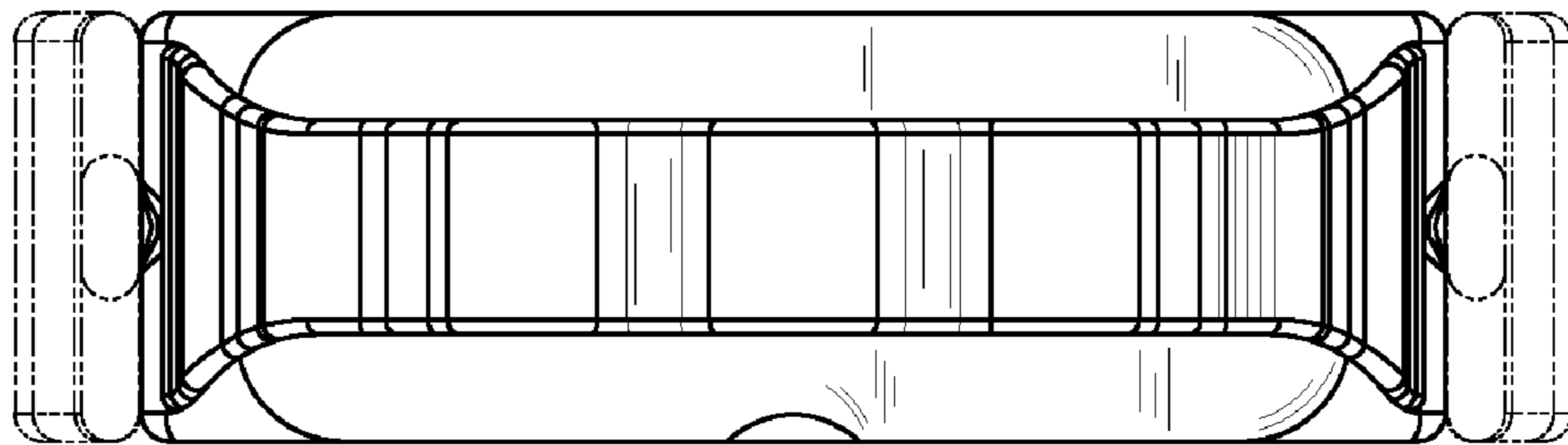


FIG. 6

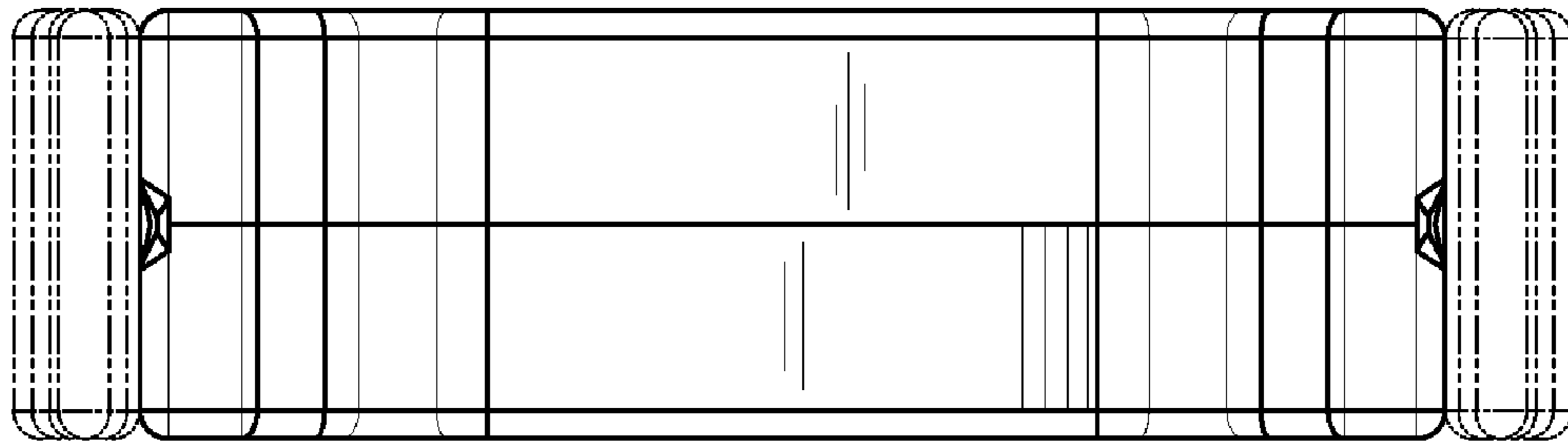


FIG. 7

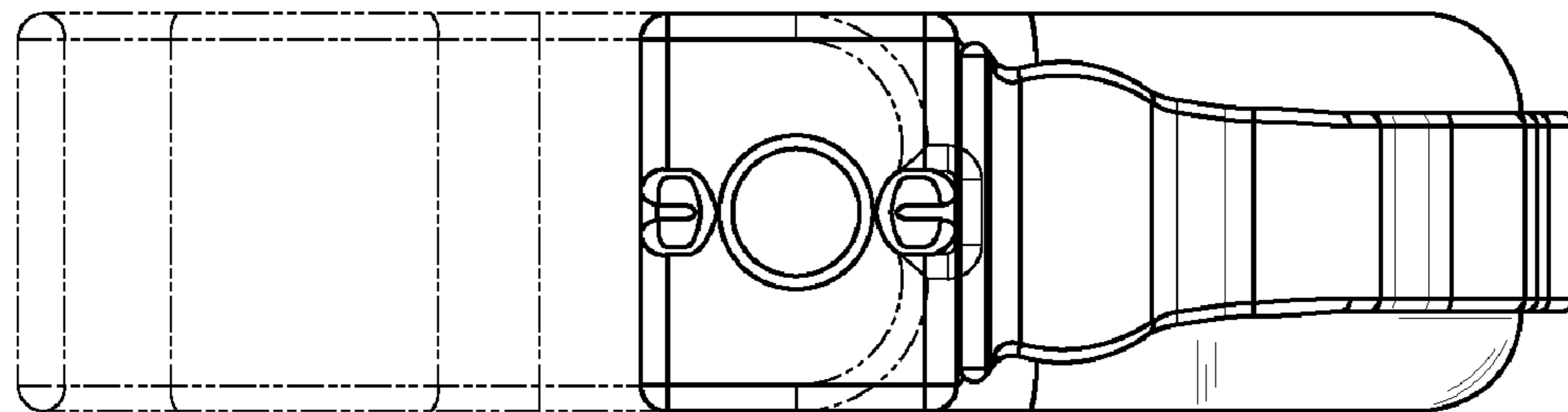


FIG. 8

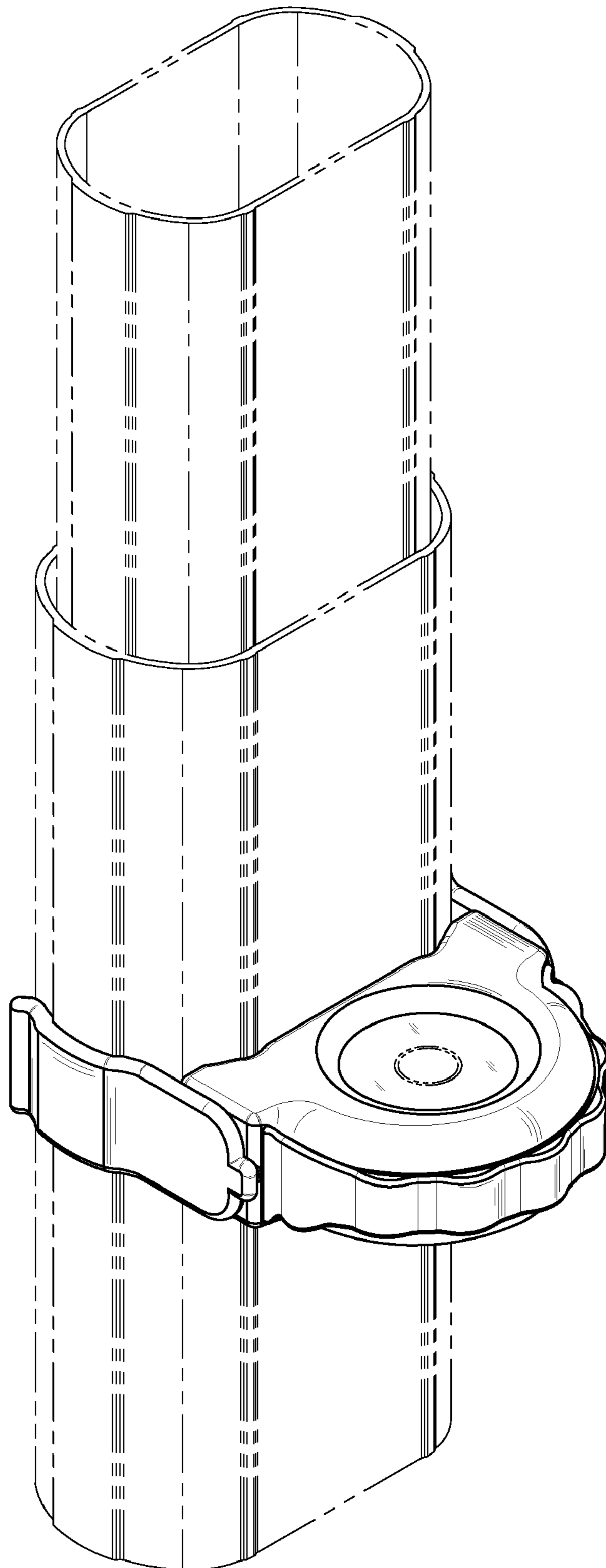


FIG. 9

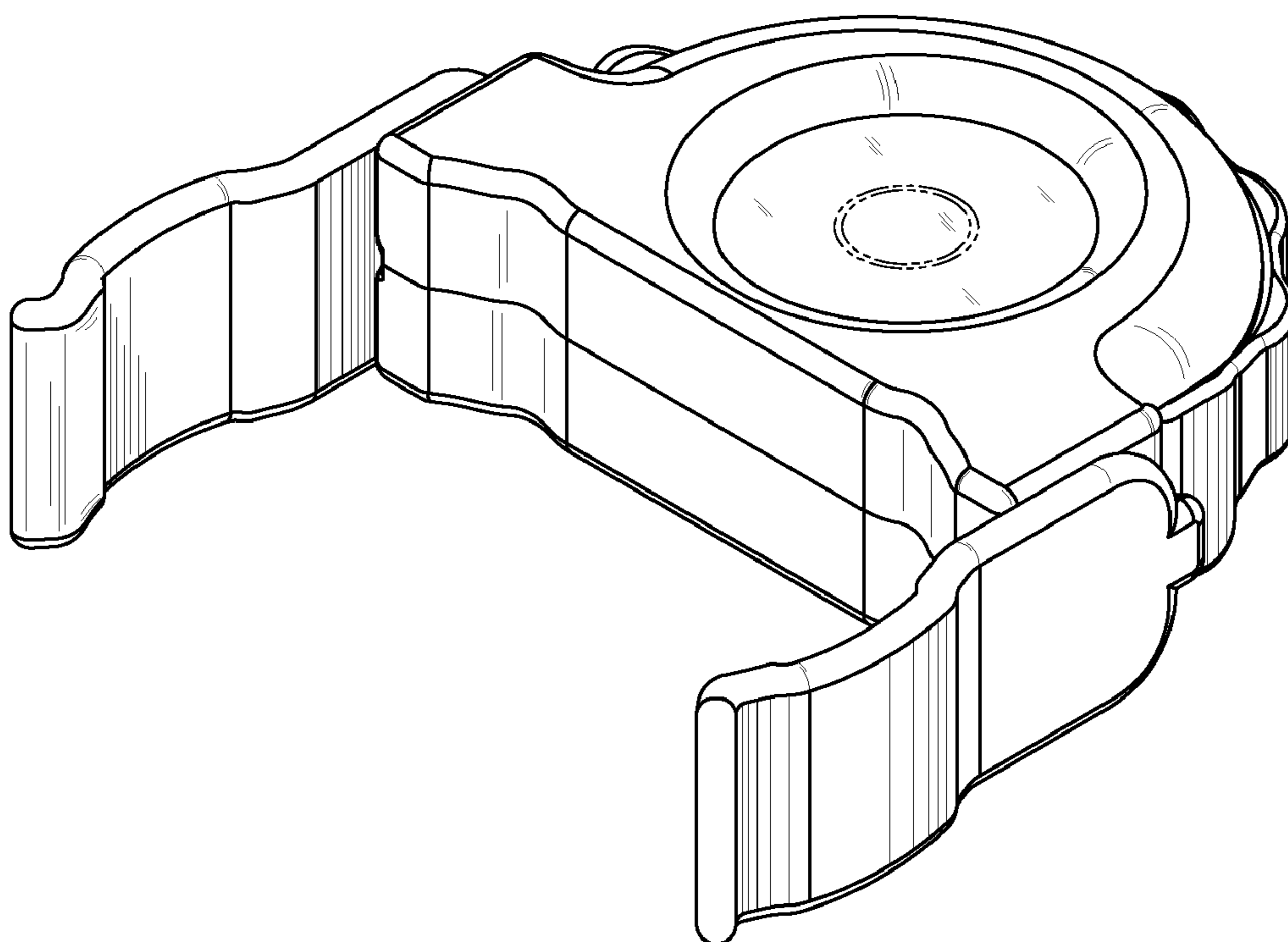


FIG. 10

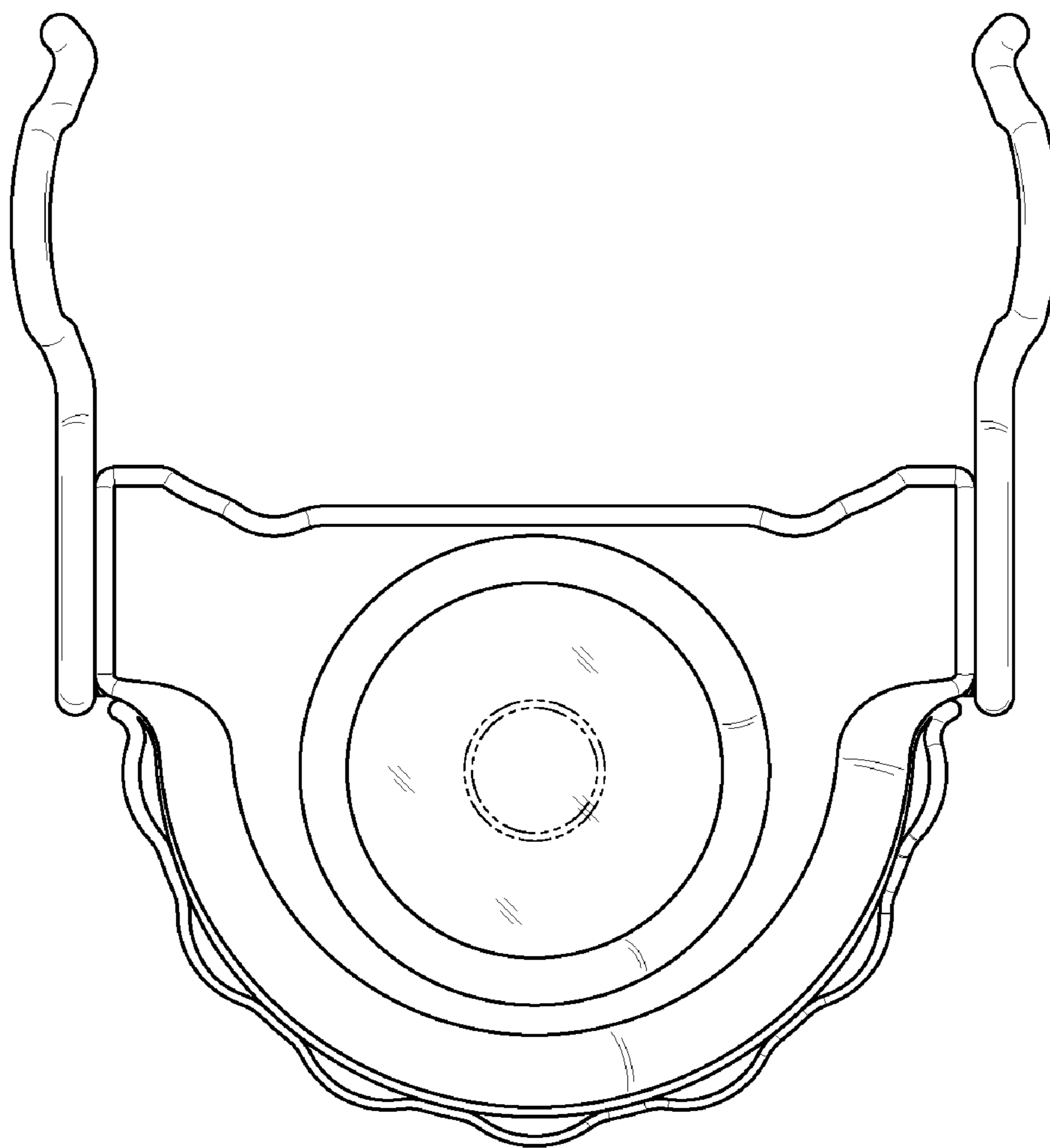


FIG. 11

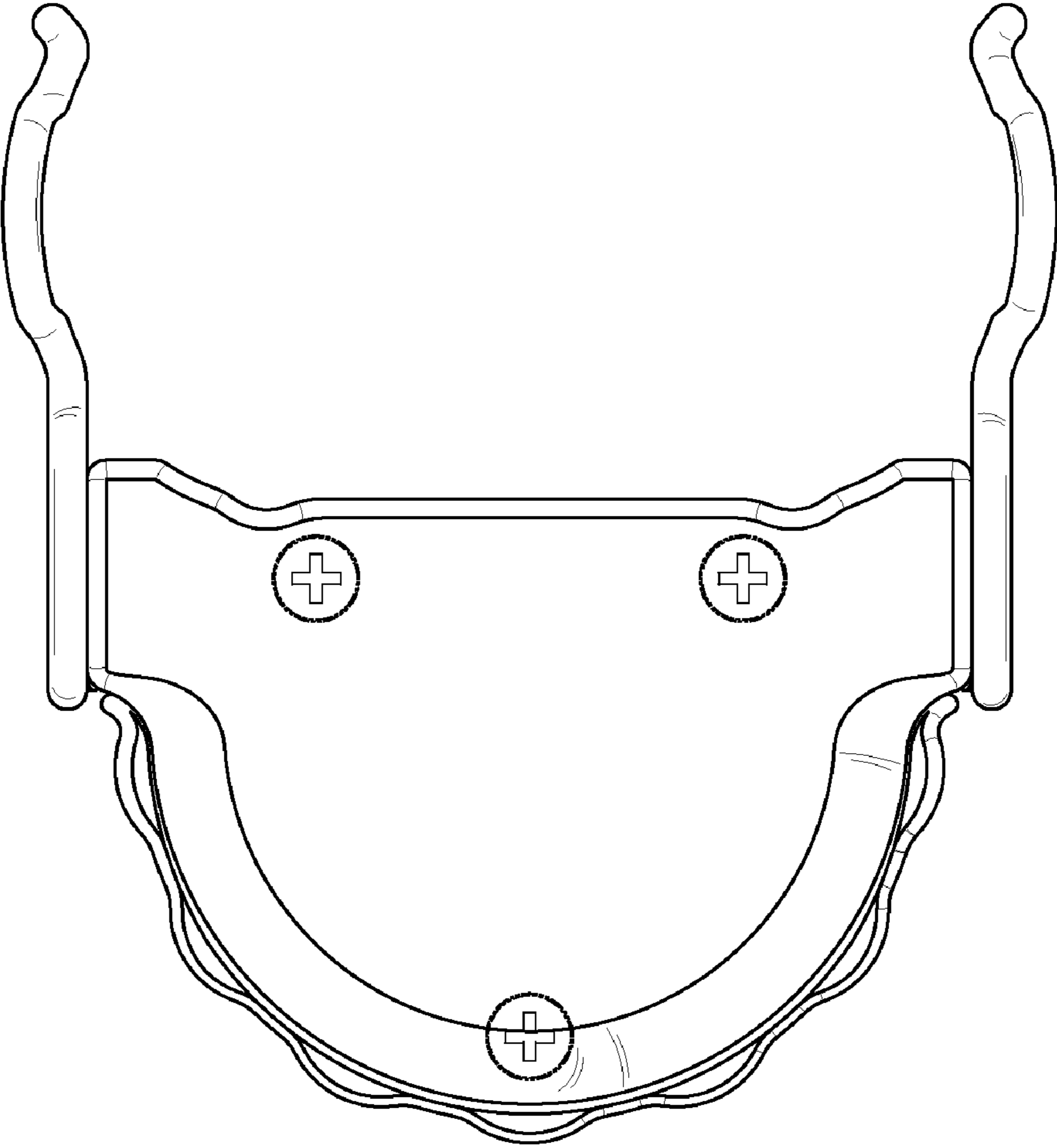


FIG. 12

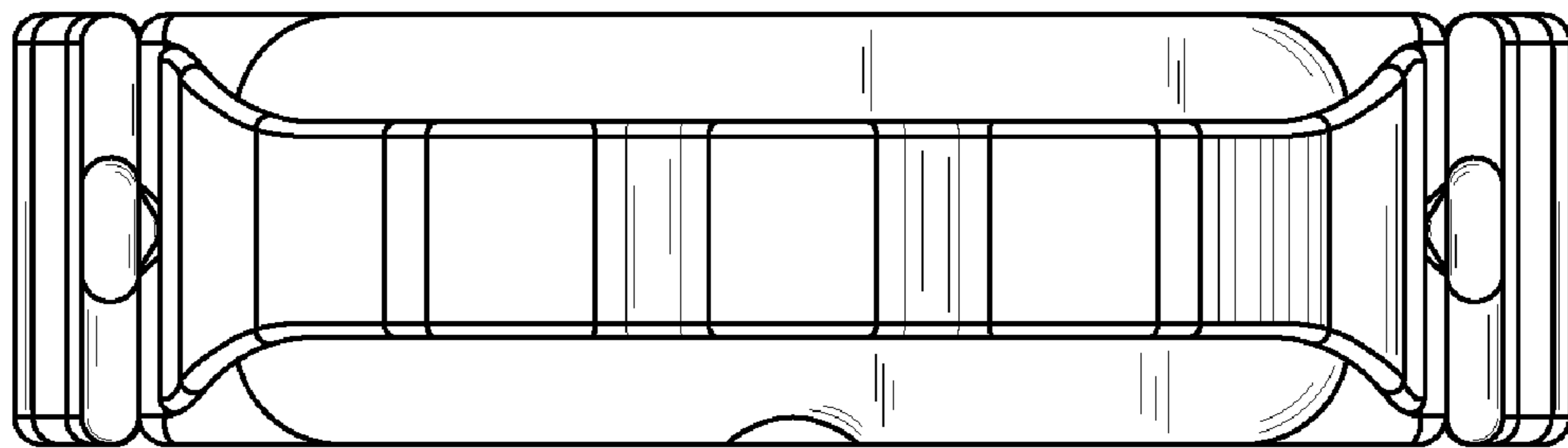


FIG. 13



FIG. 14

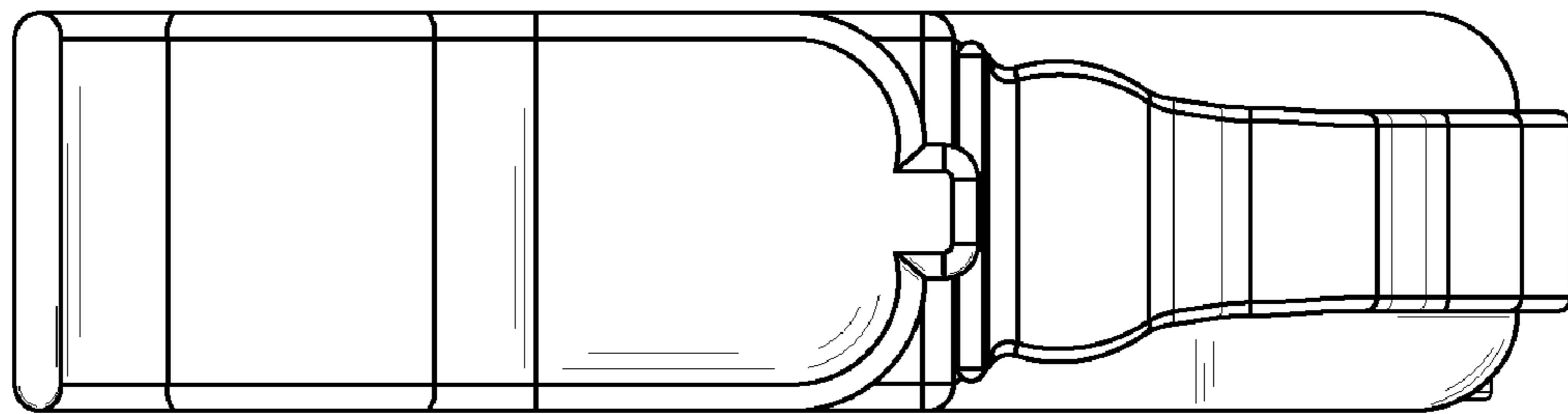


FIG. 15

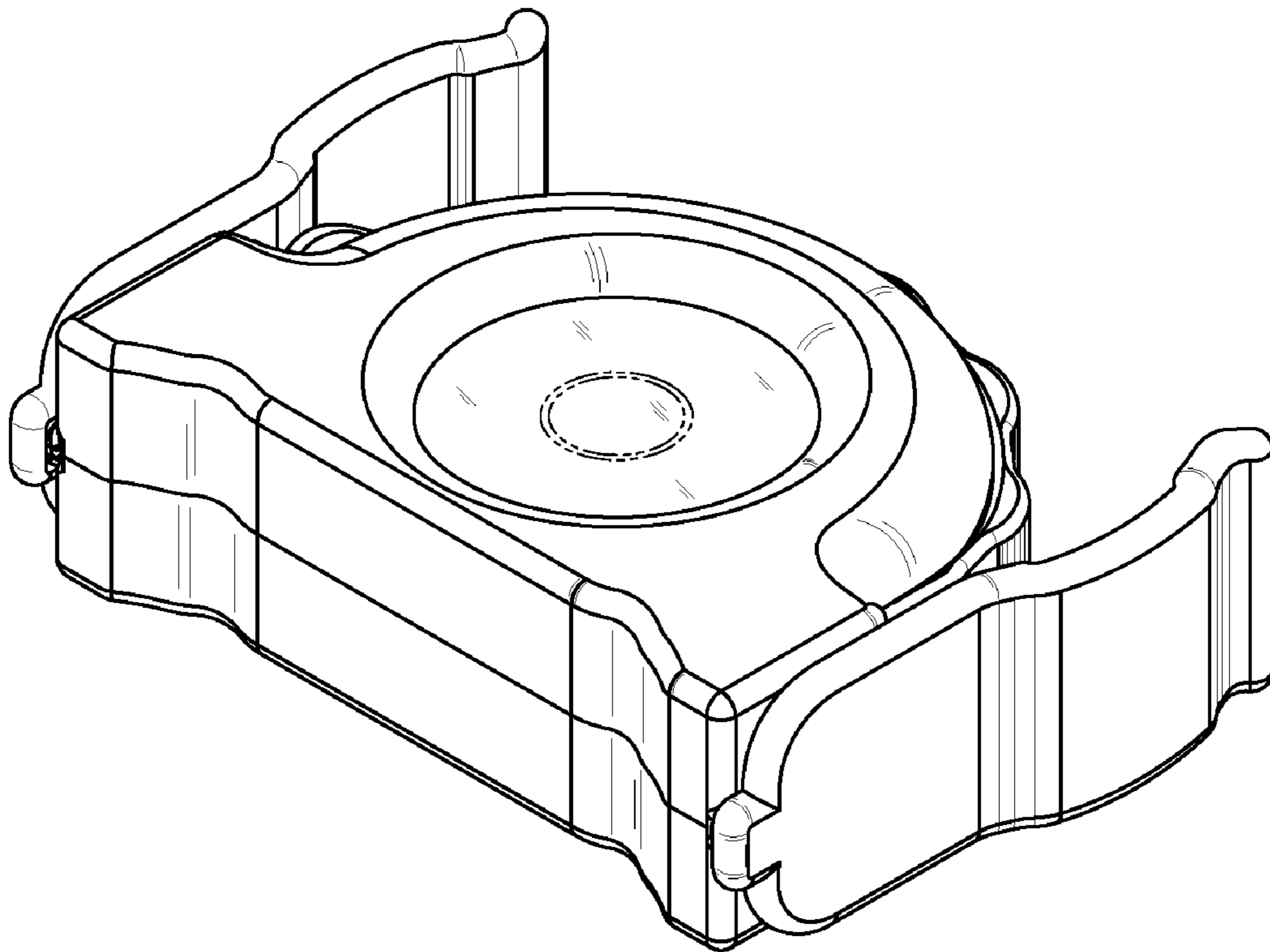


FIG. 16

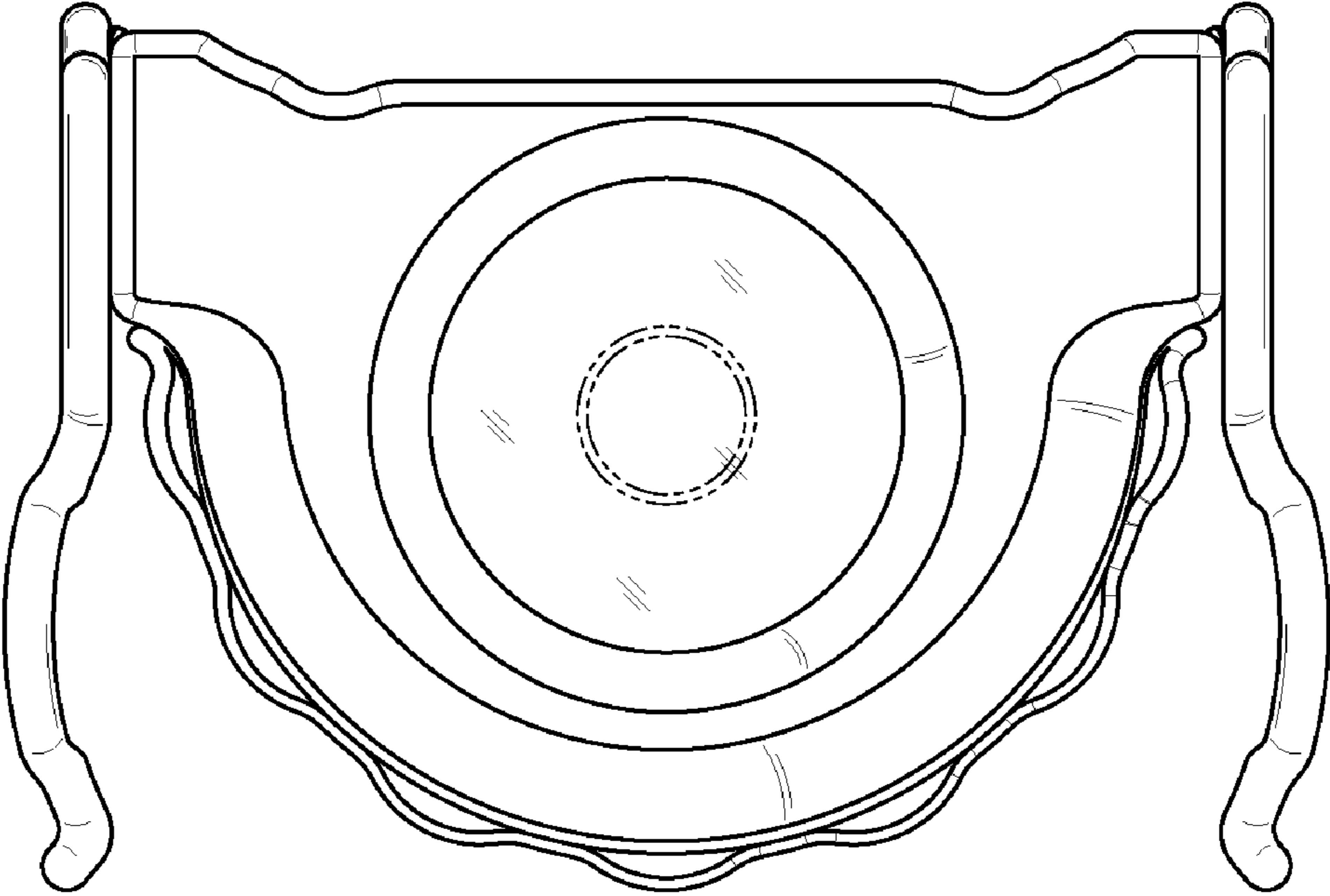


FIG. 17

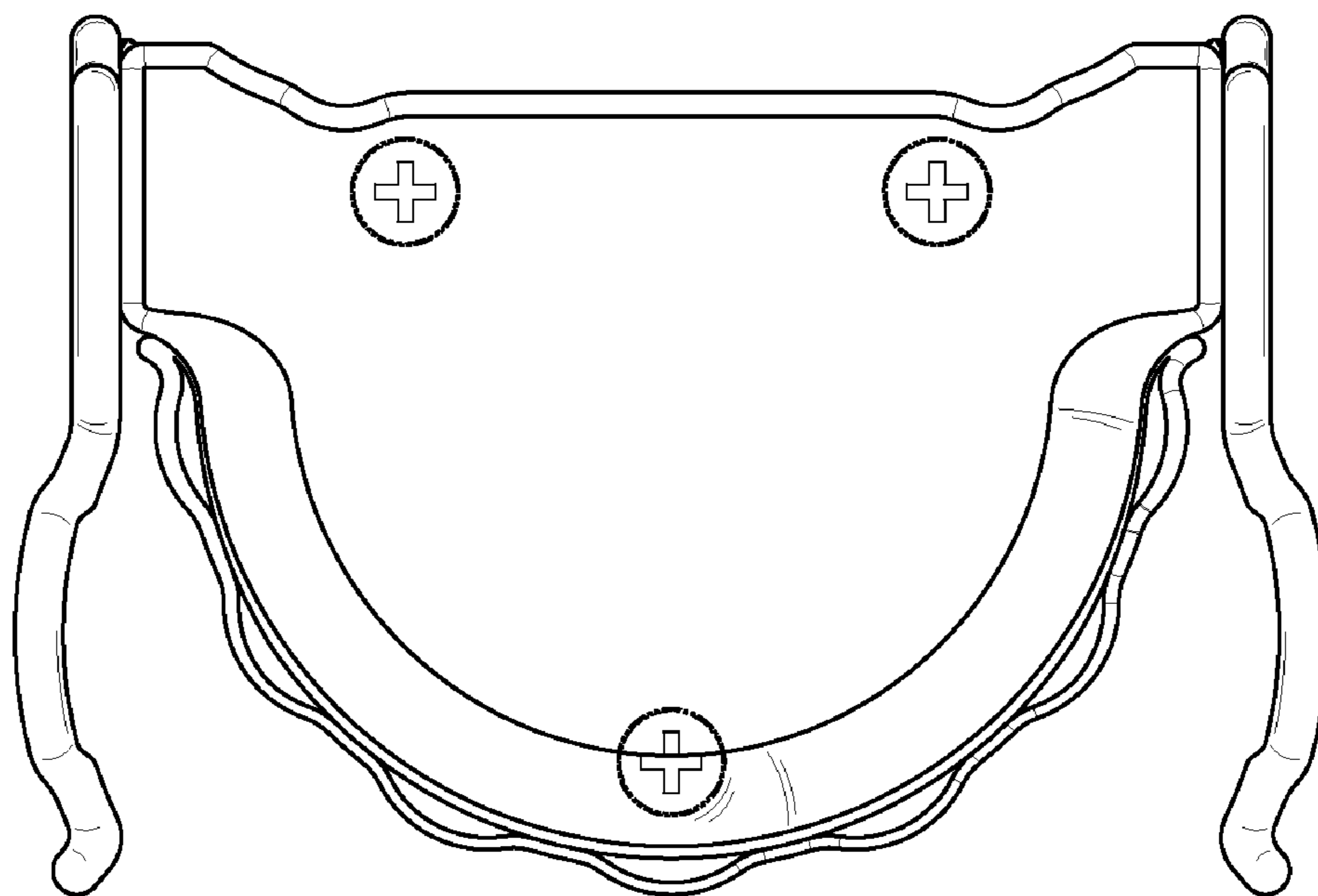


FIG. 18

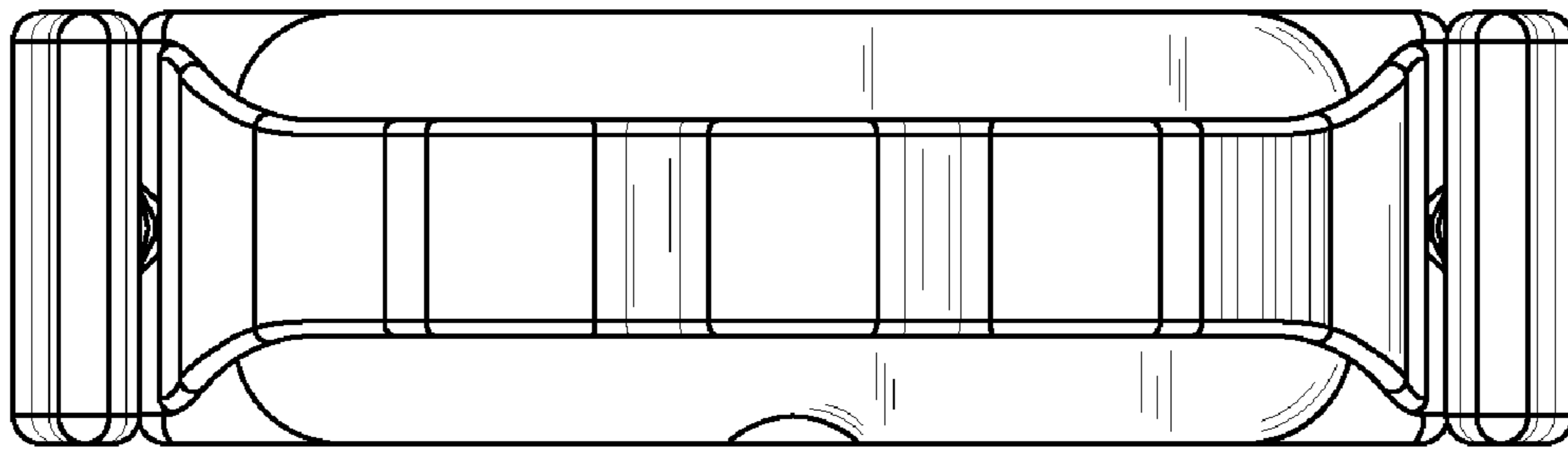


FIG. 19

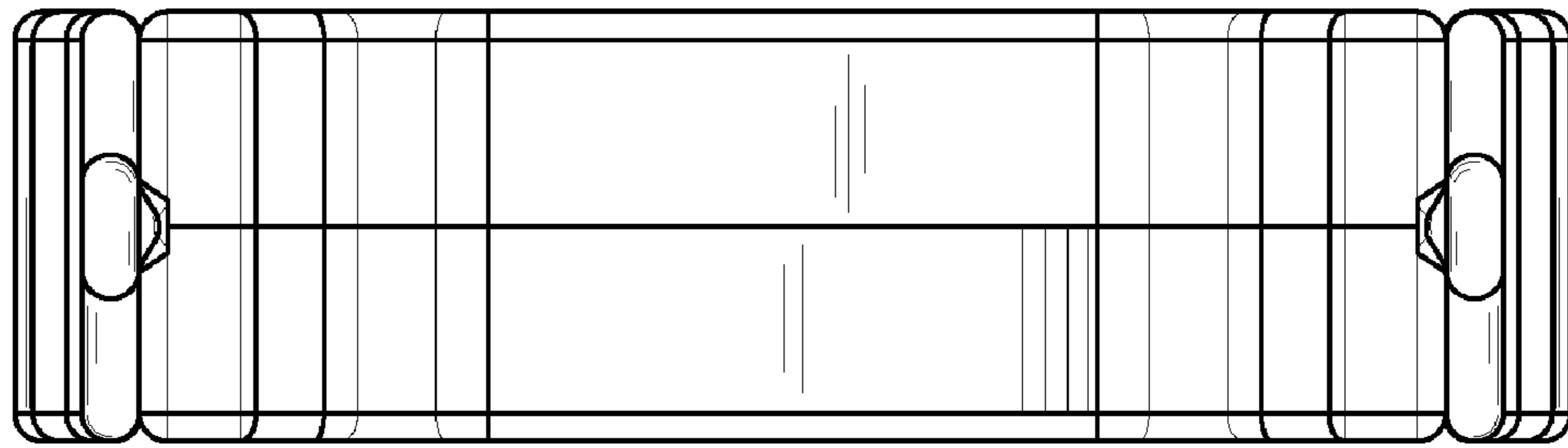


FIG. 20

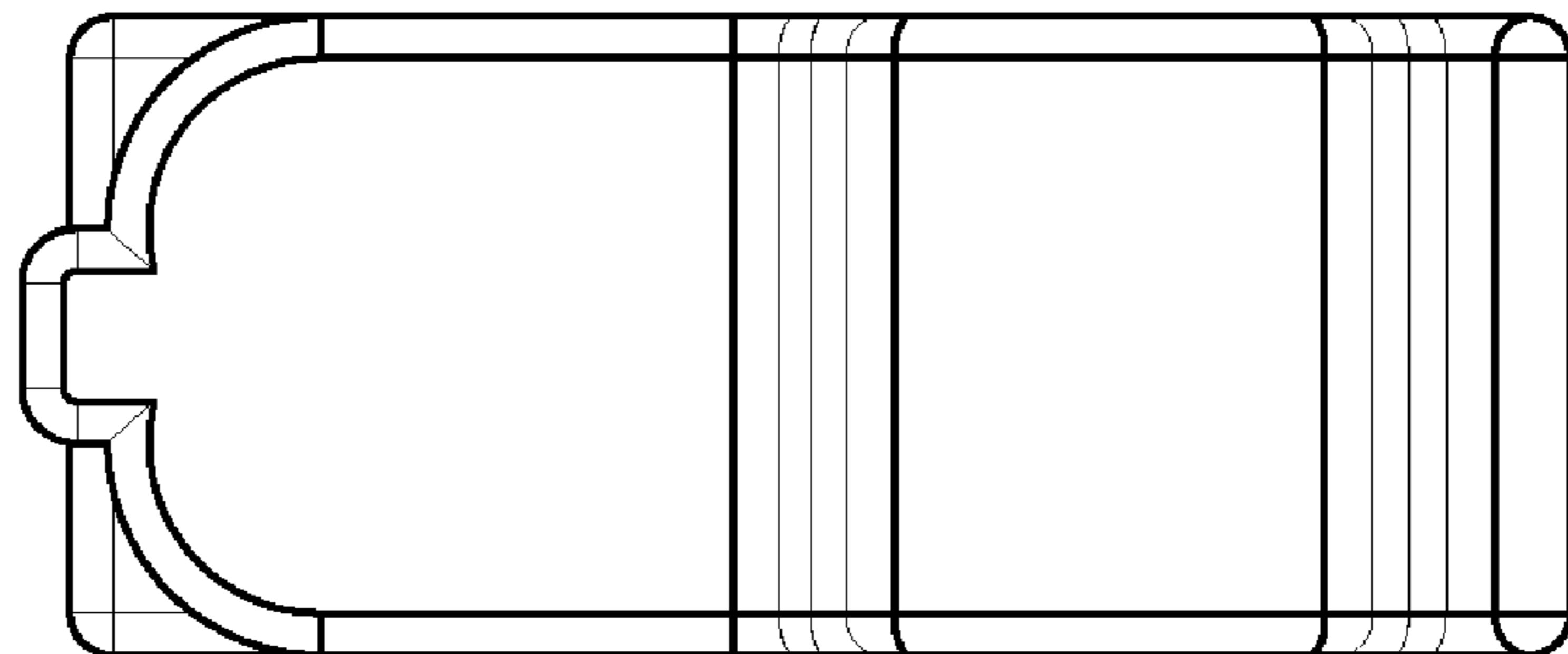


FIG. 21

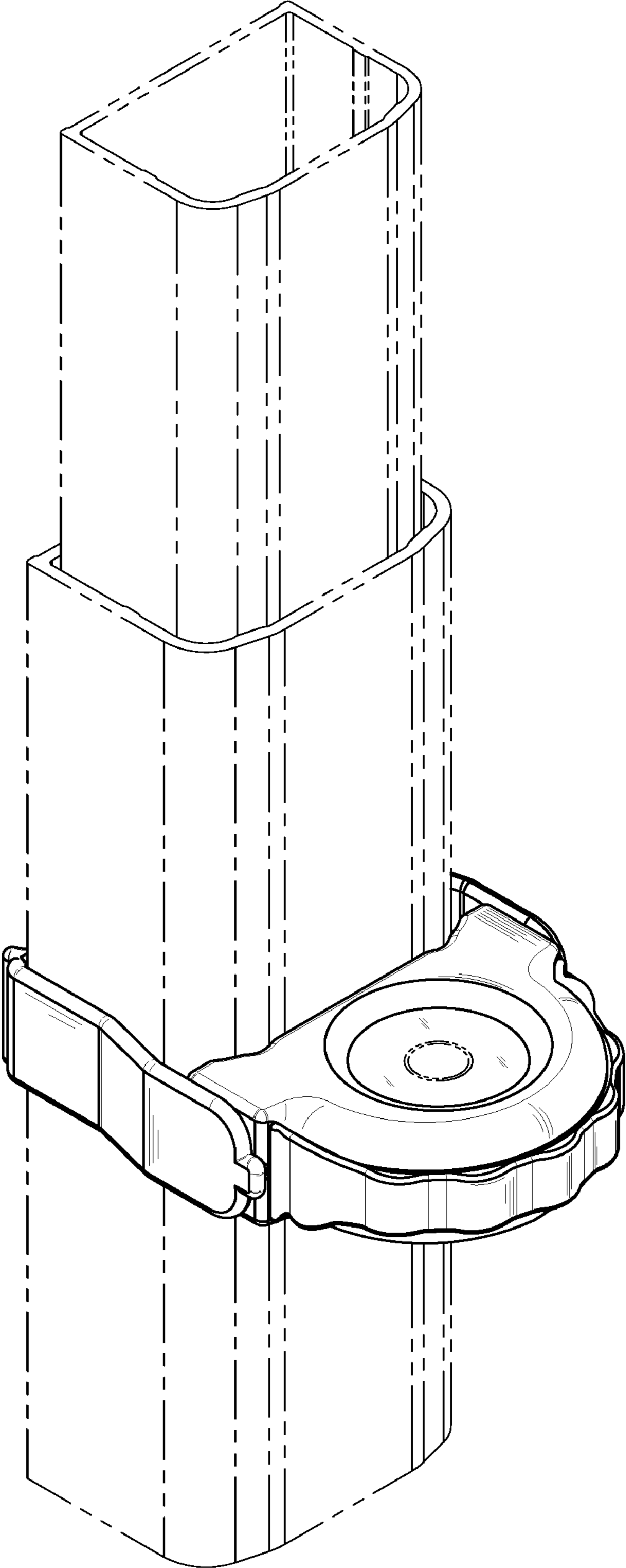


FIG. 22

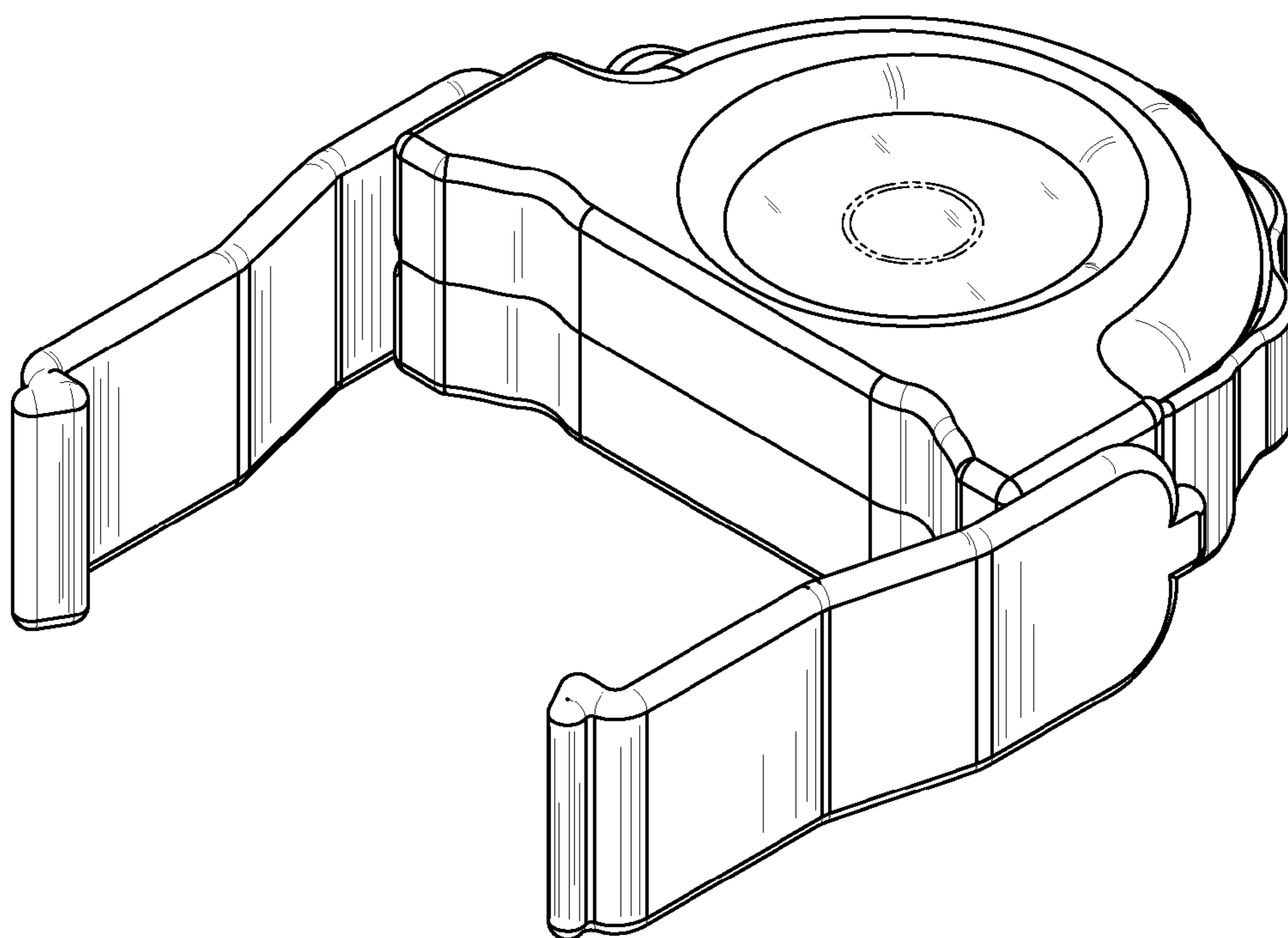


FIG. 23

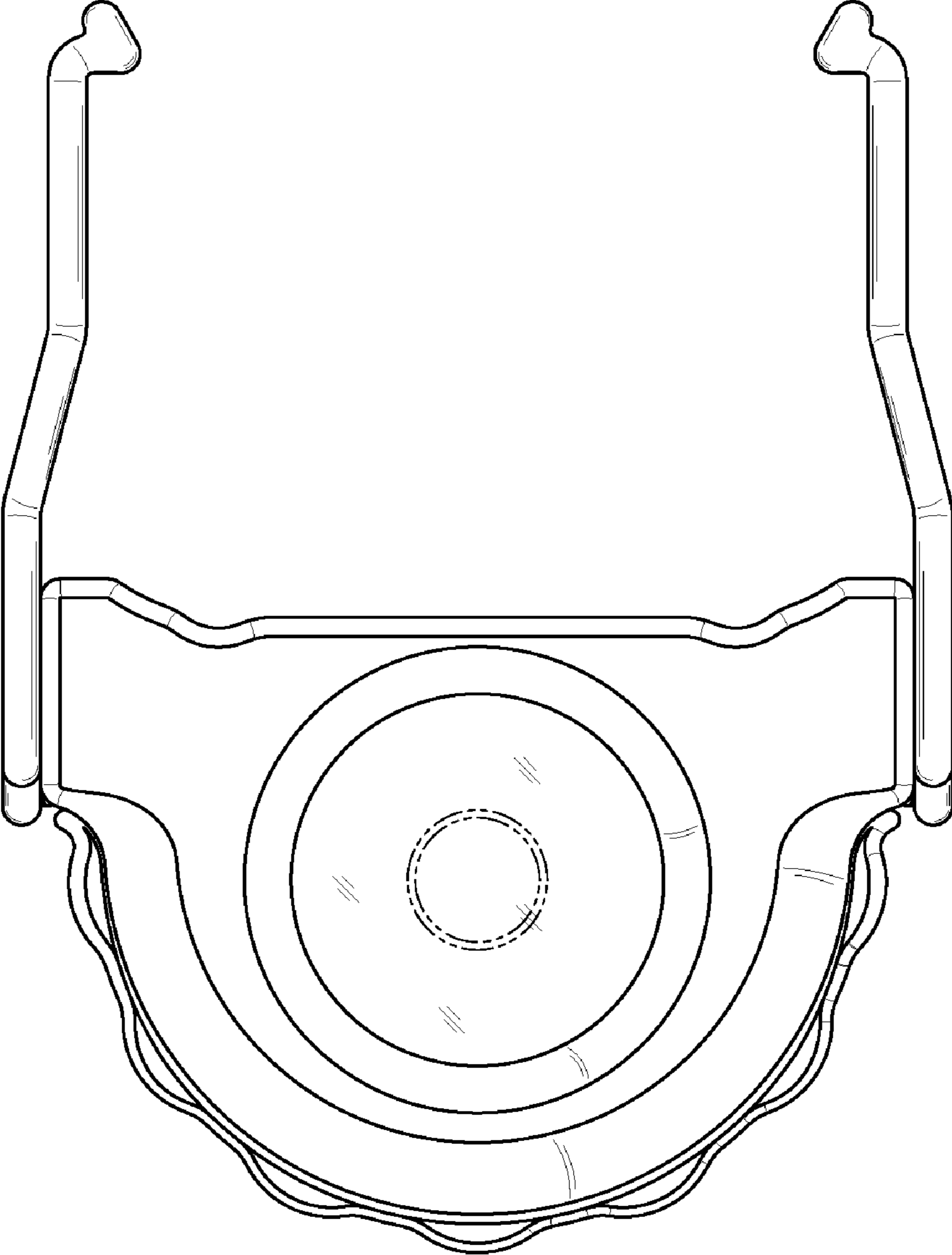


FIG. 24

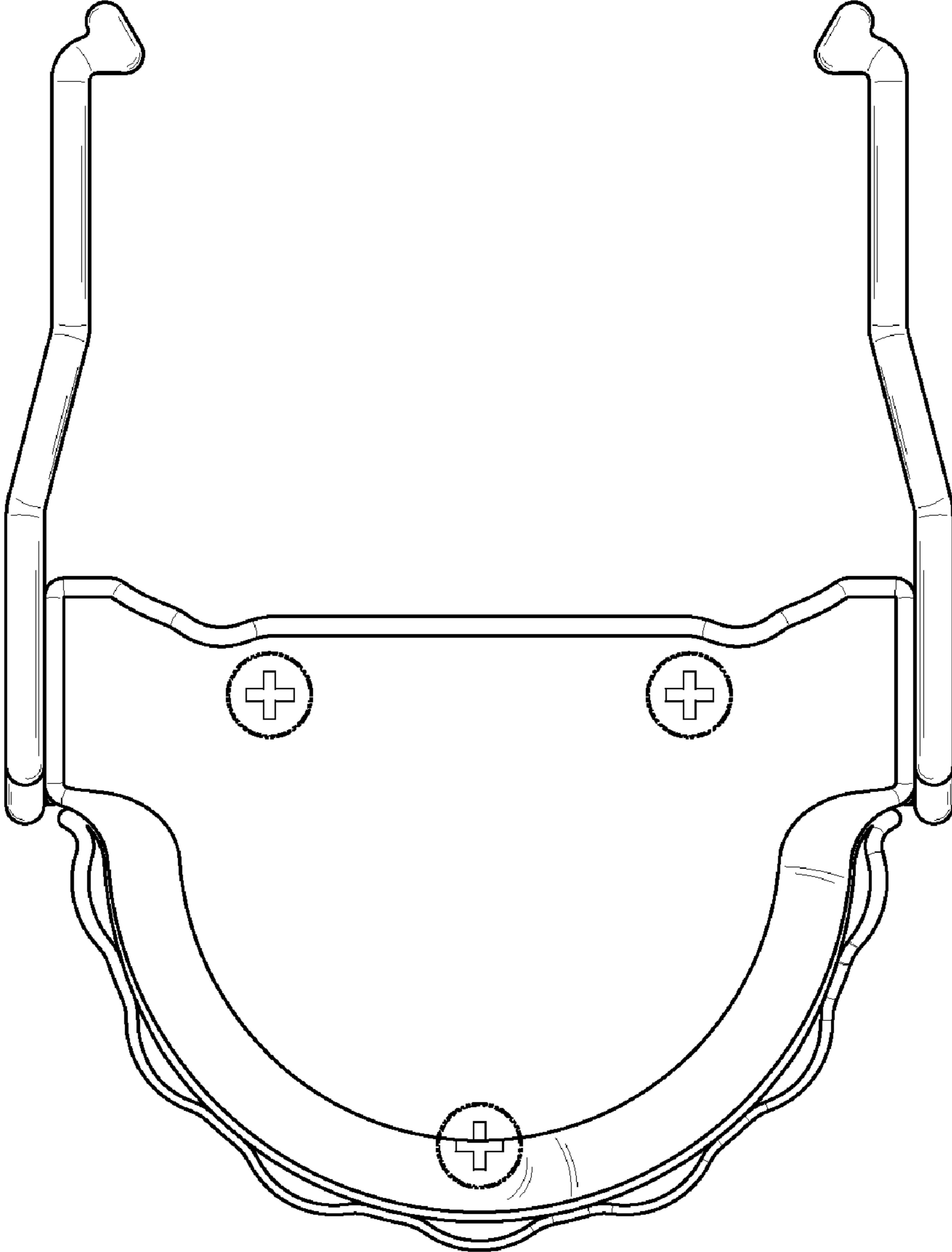


FIG. 25

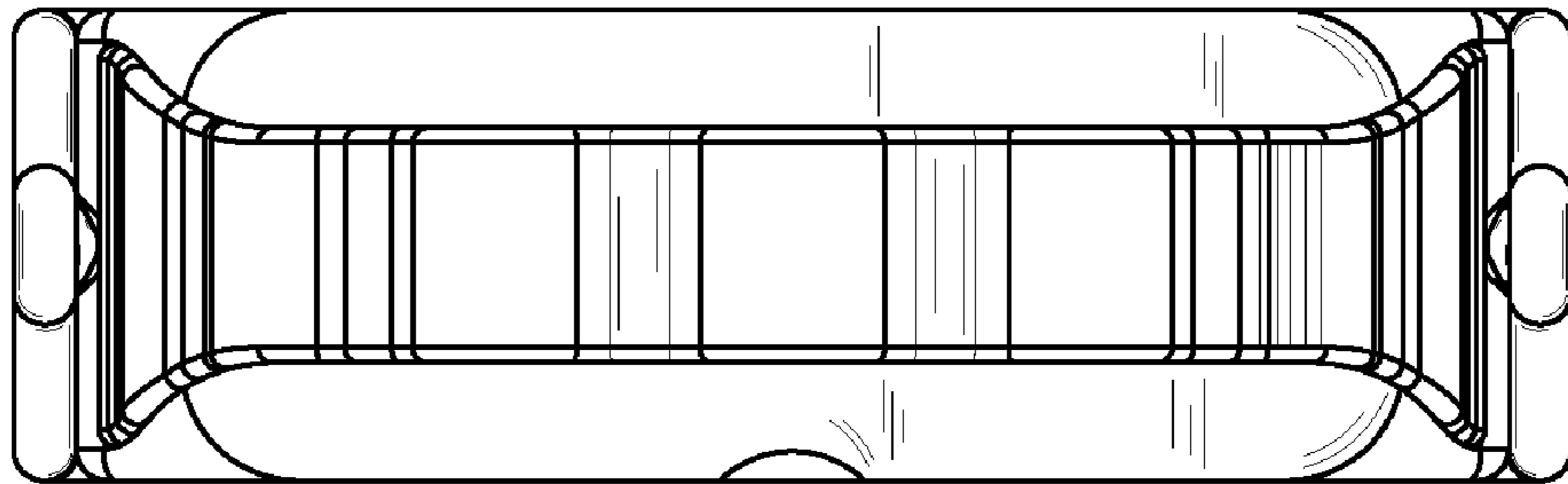


FIG. 26

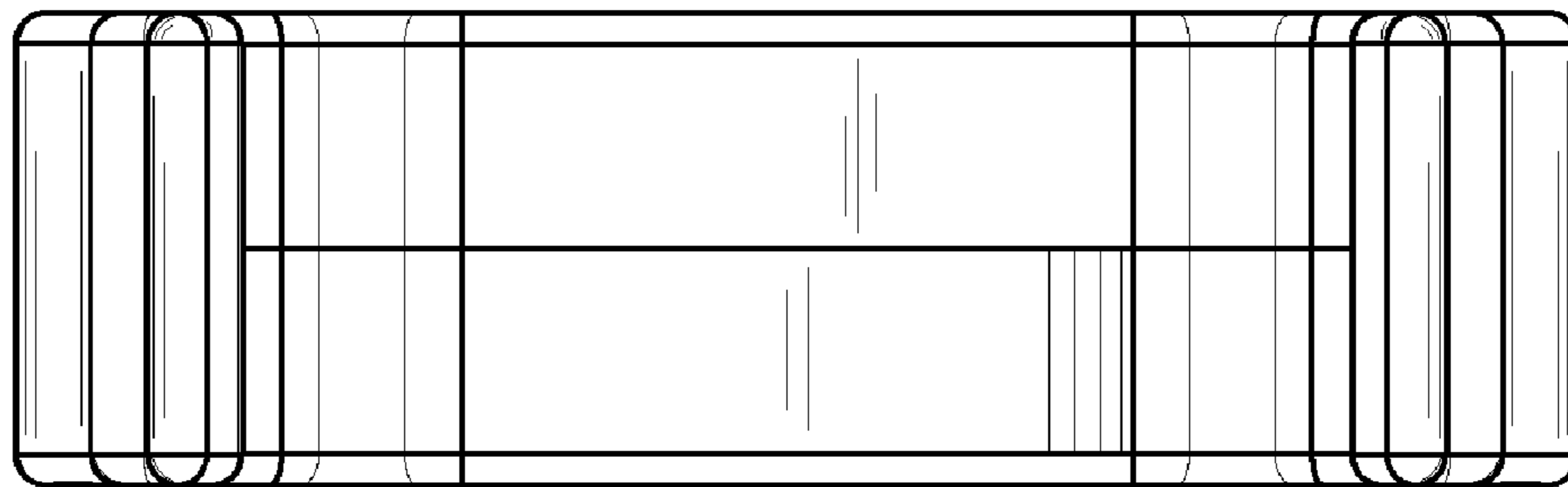


FIG. 27

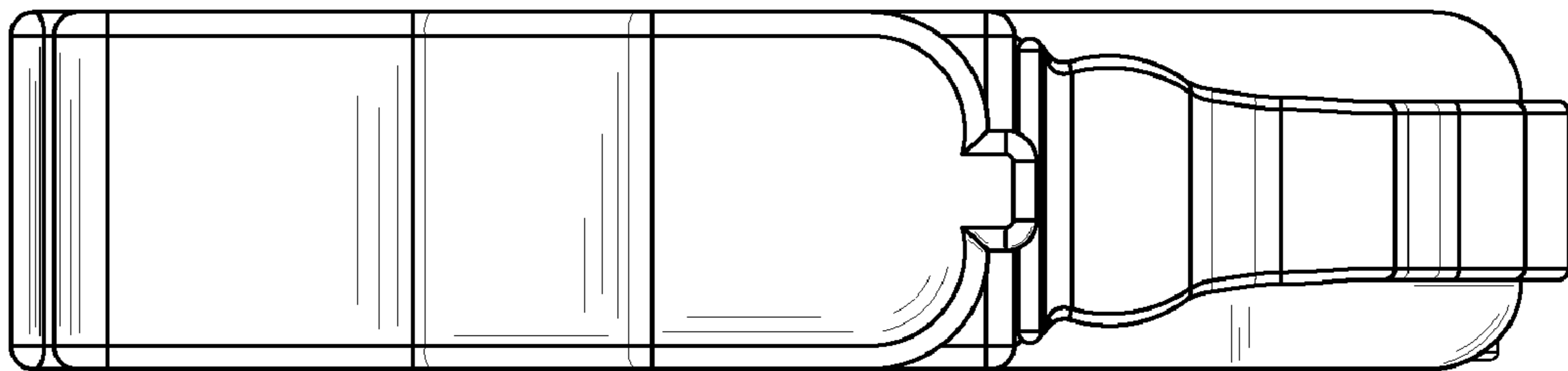


FIG. 28

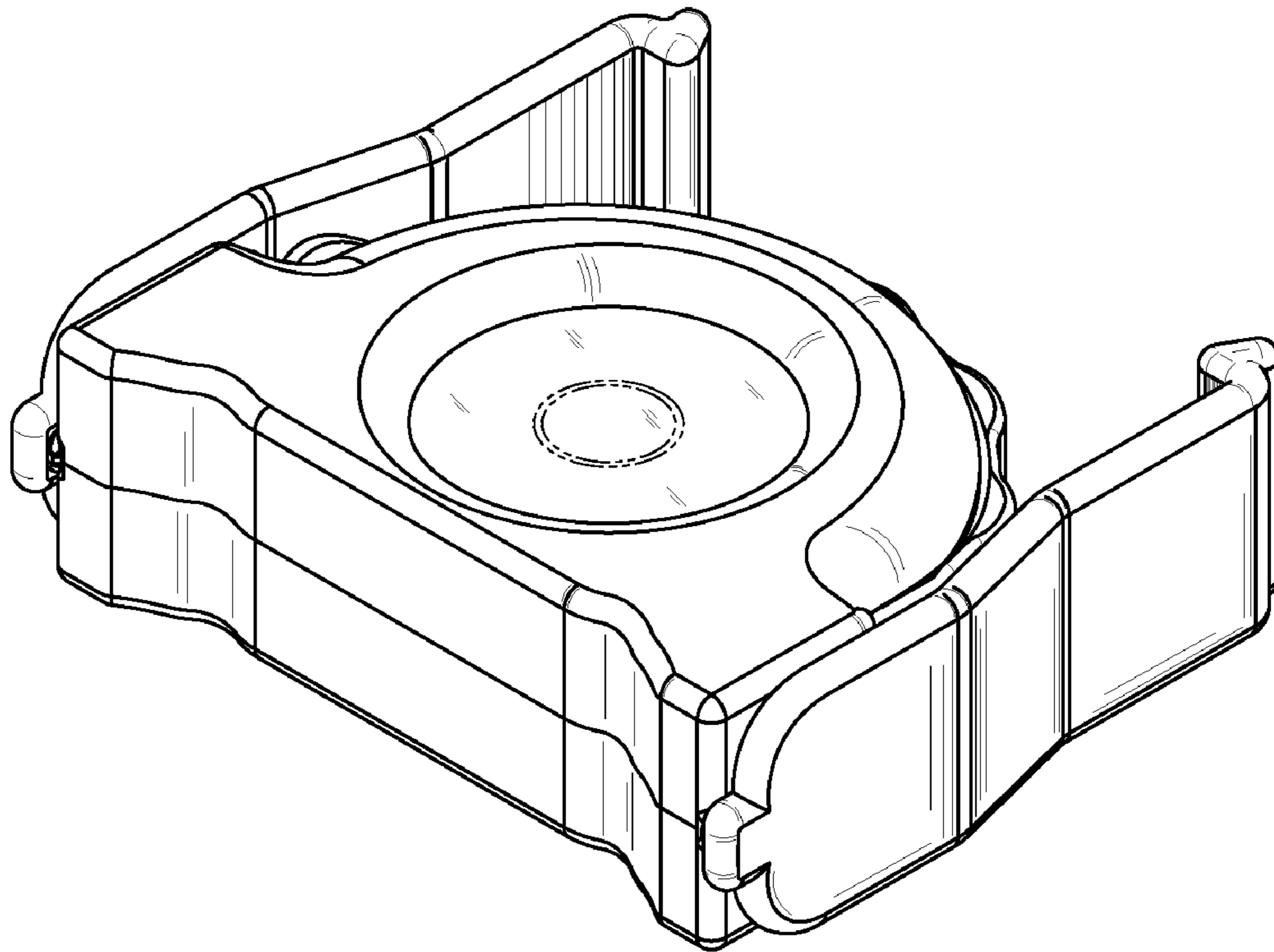


FIG. 29

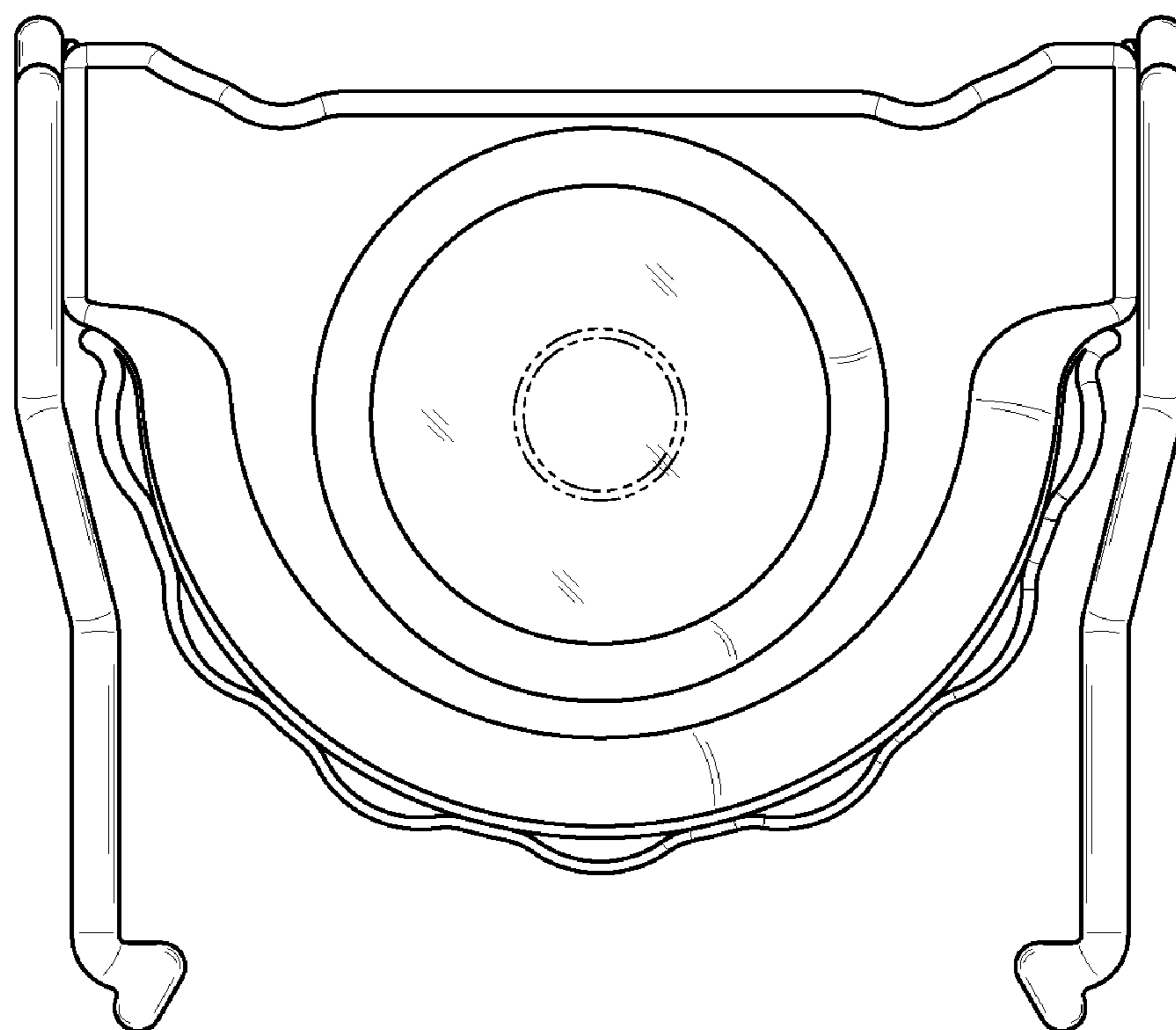


FIG. 30

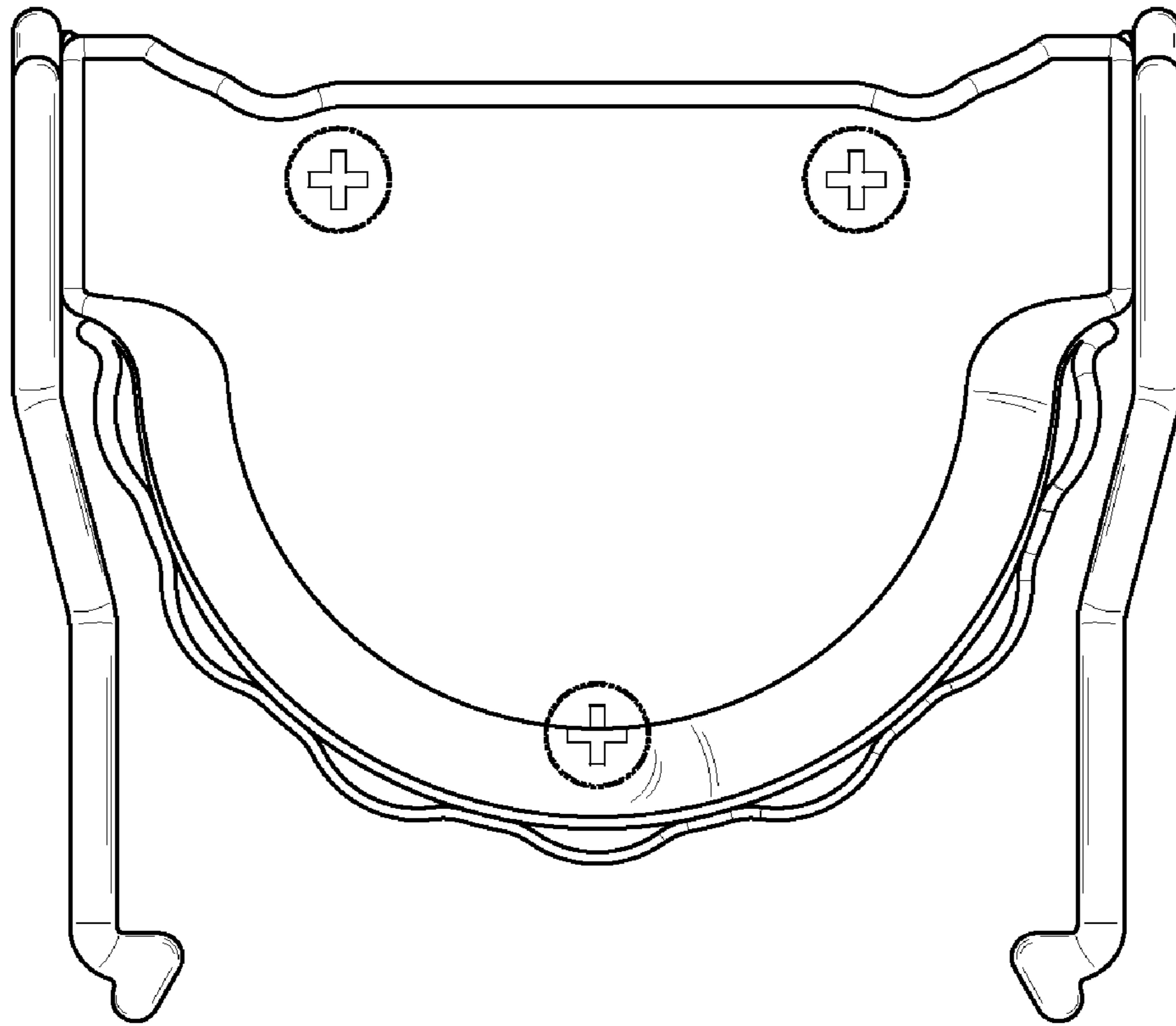


FIG. 31

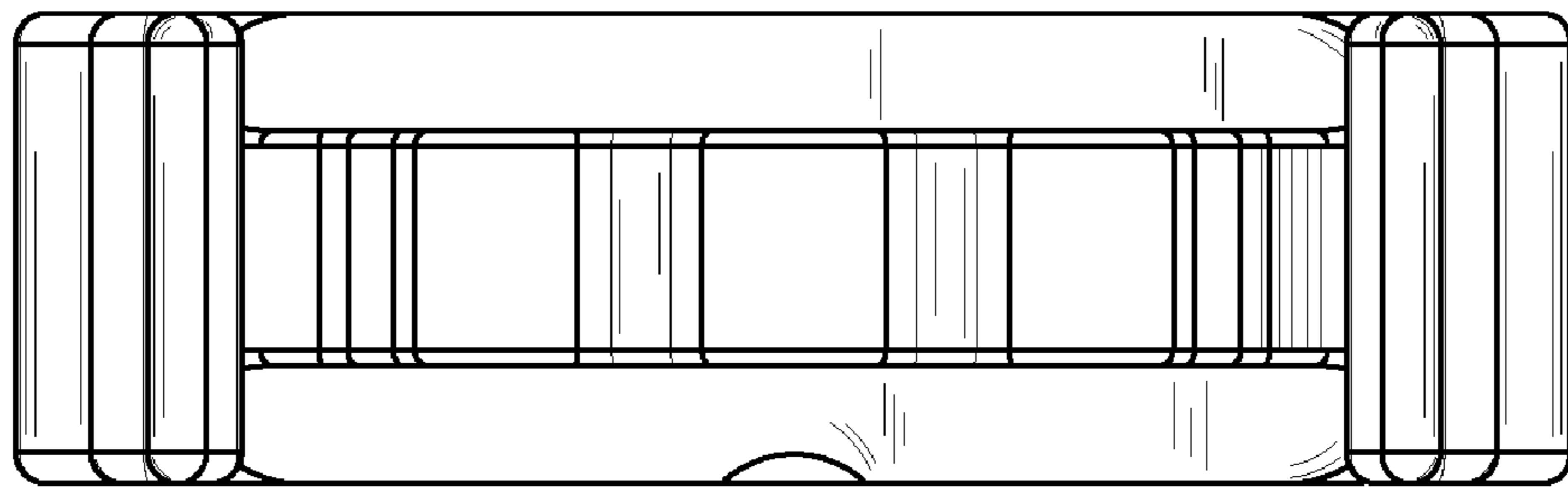


FIG. 32

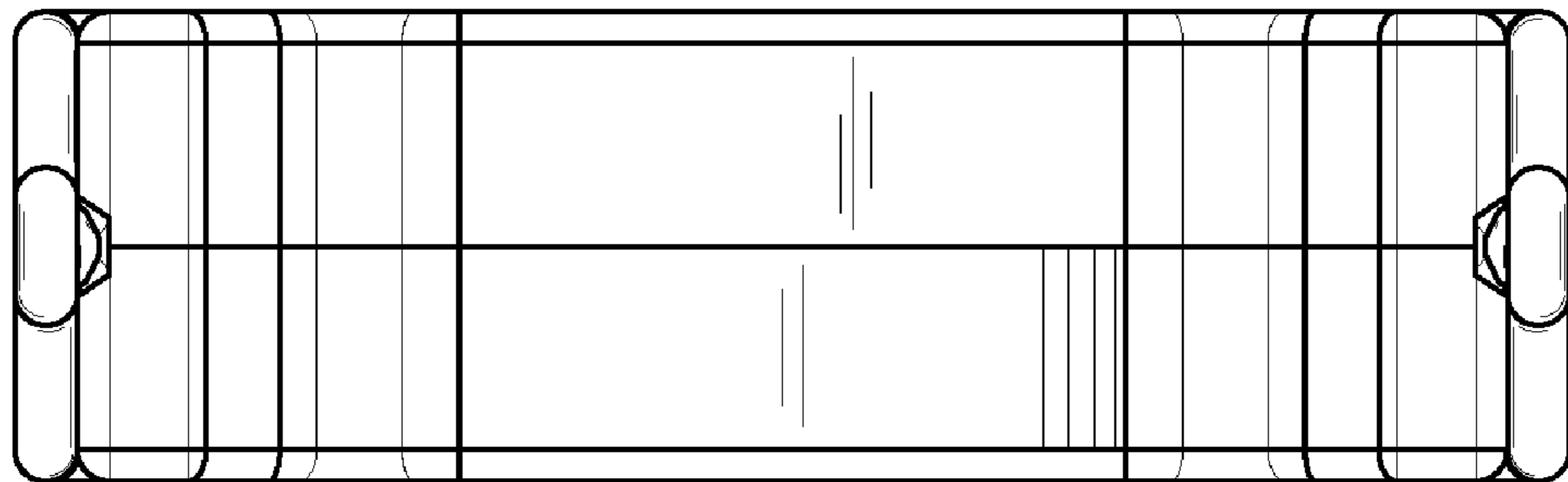


FIG. 33

