



US00D579791S

(12) **United States Design Patent**
Hoshino

(10) **Patent No.:** **US D579,791 S**

(45) **Date of Patent:** **** Nov. 4, 2008**

(54) **WATCH CASE**

D541,675 S * 5/2007 Ruchonnet D10/38
D544,372 S * 6/2007 Seyr et al. D10/32
D551,100 S * 9/2007 Okaya D10/38

(75) Inventor: **Kazunori Hoshino**, Matsumoto (JP)

(73) Assignee: **Seiko Epson Corporation** (JP)

(**) Term: **14 Years**

(21) Appl. No.: **29/301,890**

(22) Filed: **Mar. 20, 2008**

(30) **Foreign Application Priority Data**

Dec. 25, 2007 (JP) 2007-035315

(51) **LOC (8) Cl.** **10-02**

(52) **U.S. Cl.** **D10/38**

(58) **Field of Classification Search** D10/30-39,
D10/122-132; 368/276, 281, 282, 285, 316,
368/317, 319, 288, 306, 308

See application file for complete search history.

(56) **References Cited**

U.S. PATENT DOCUMENTS

2,342,804 A * 2/1944 Hiller 368/316
3,162,007 A * 12/1964 Parmentier 368/281
3,270,928 A * 9/1966 Brunet 224/164
3,475,902 A * 11/1969 Wessel 368/10
D327,851 S * 7/1992 Bessel D10/39
D386,094 S * 11/1997 Ventrella D10/30
D399,757 S * 10/1998 Riley et al. D10/30
D399,758 S * 10/1998 Mendoza D10/30
D427,915 S * 7/2000 Erediano D10/30
D465,738 S * 11/2002 Streltsov D10/30
D527,283 S * 8/2006 De Witt D10/38
D540,196 S * 4/2007 Ruchonnet D10/32

OTHER PUBLICATIONS

Watch Case, Kazunori Hoshino, Herewith, U.S. Appl. No. 29/301,891.

Watch Case, Kazunori Hoshino, Herewith, U.S. Appl. No. 29/301,889.

* cited by examiner

Primary Examiner—Lucy Lieberman

(74) *Attorney, Agent, or Firm*—Harness, Dickey & Pierce, P.L.C.

(57) **CLAIM**

The ornamental design for a watch case, as shown and described.

DESCRIPTION

FIG. 1 is a perspective view of a watch case, as viewed from the top, front and left side embodying my new design;

FIG. 2 is a perspective view thereof, as viewed from the top, front and right side;

FIG. 3 is a perspective view thereof, as viewed from the bottom, front and left side;

FIG. 4 is a left side view thereof;

FIG. 5 is a right side view thereof;

FIG. 6 is a rear view thereof;

FIG. 7 is a top view thereof; and,

FIG. 8 is a bottom view thereof.

1 Claim, 3 Drawing Sheets

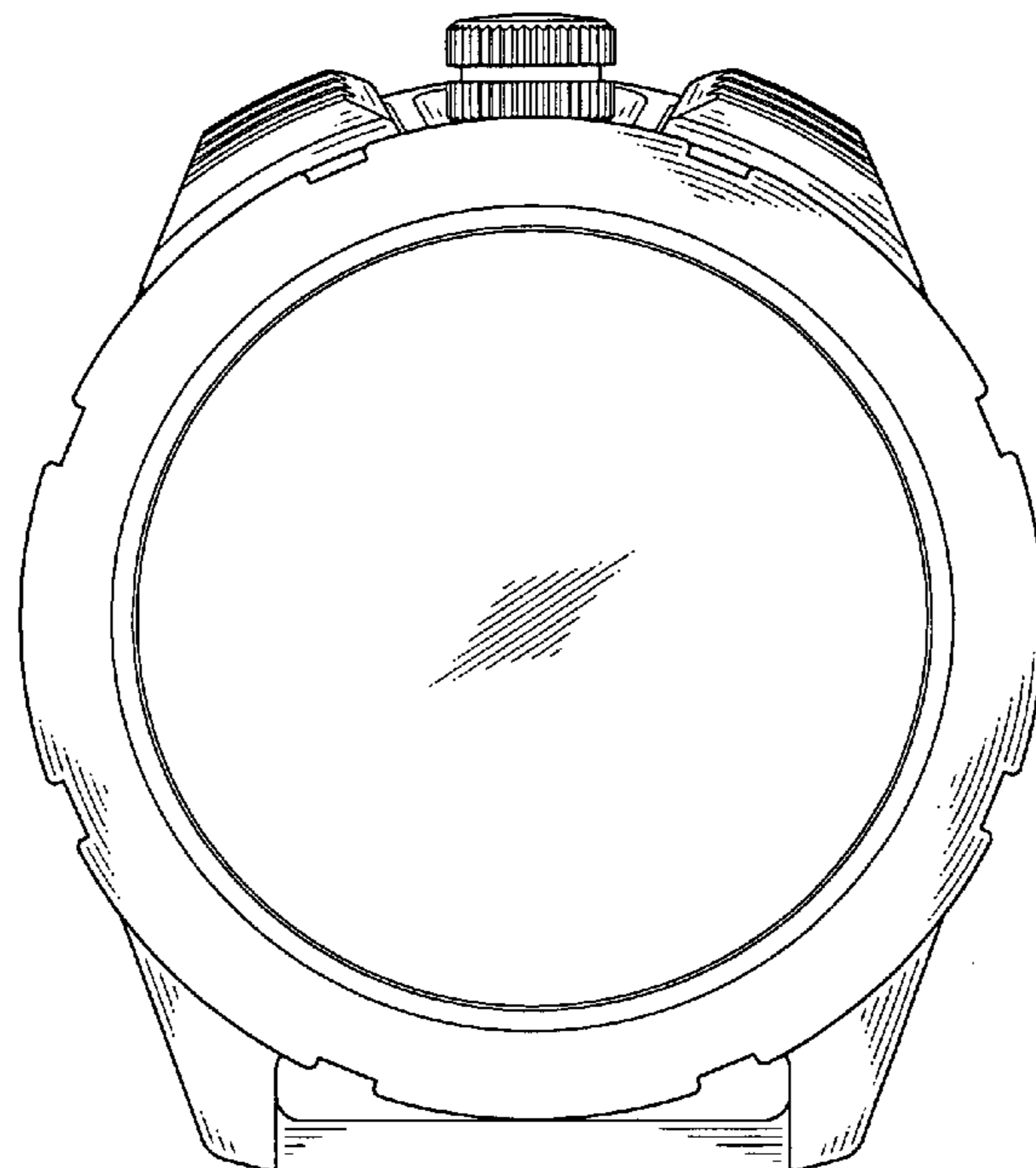


FIG. 1

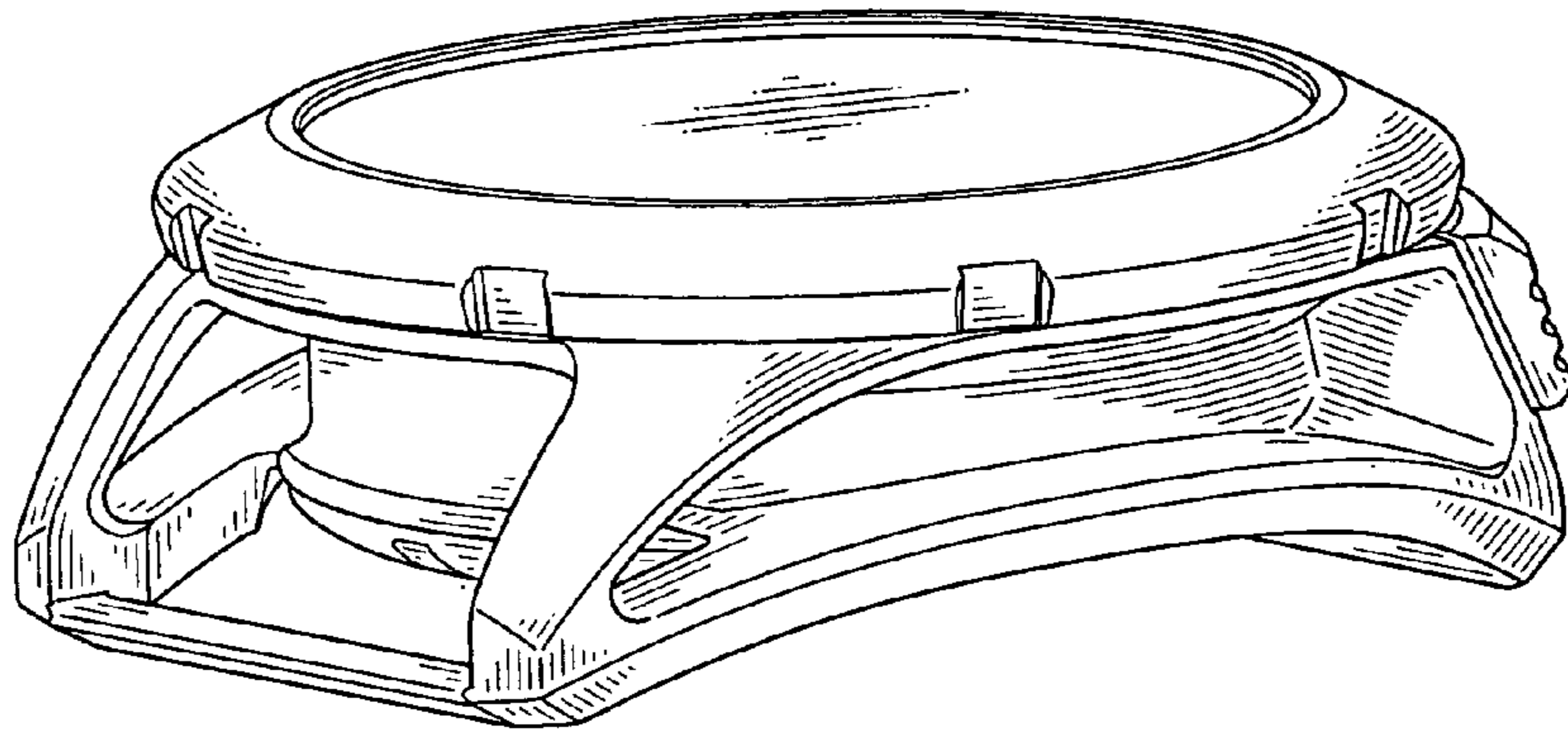


FIG. 2

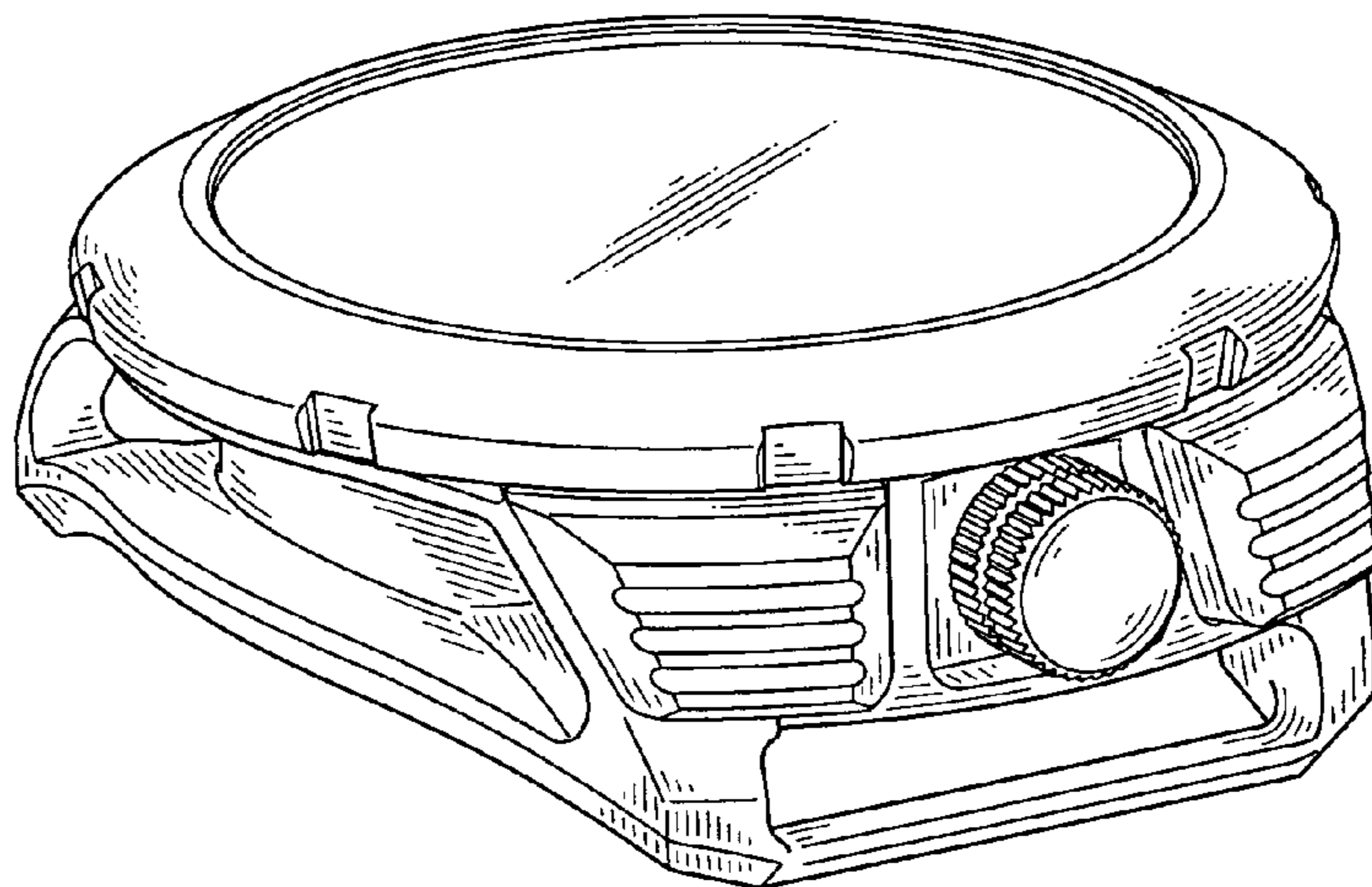
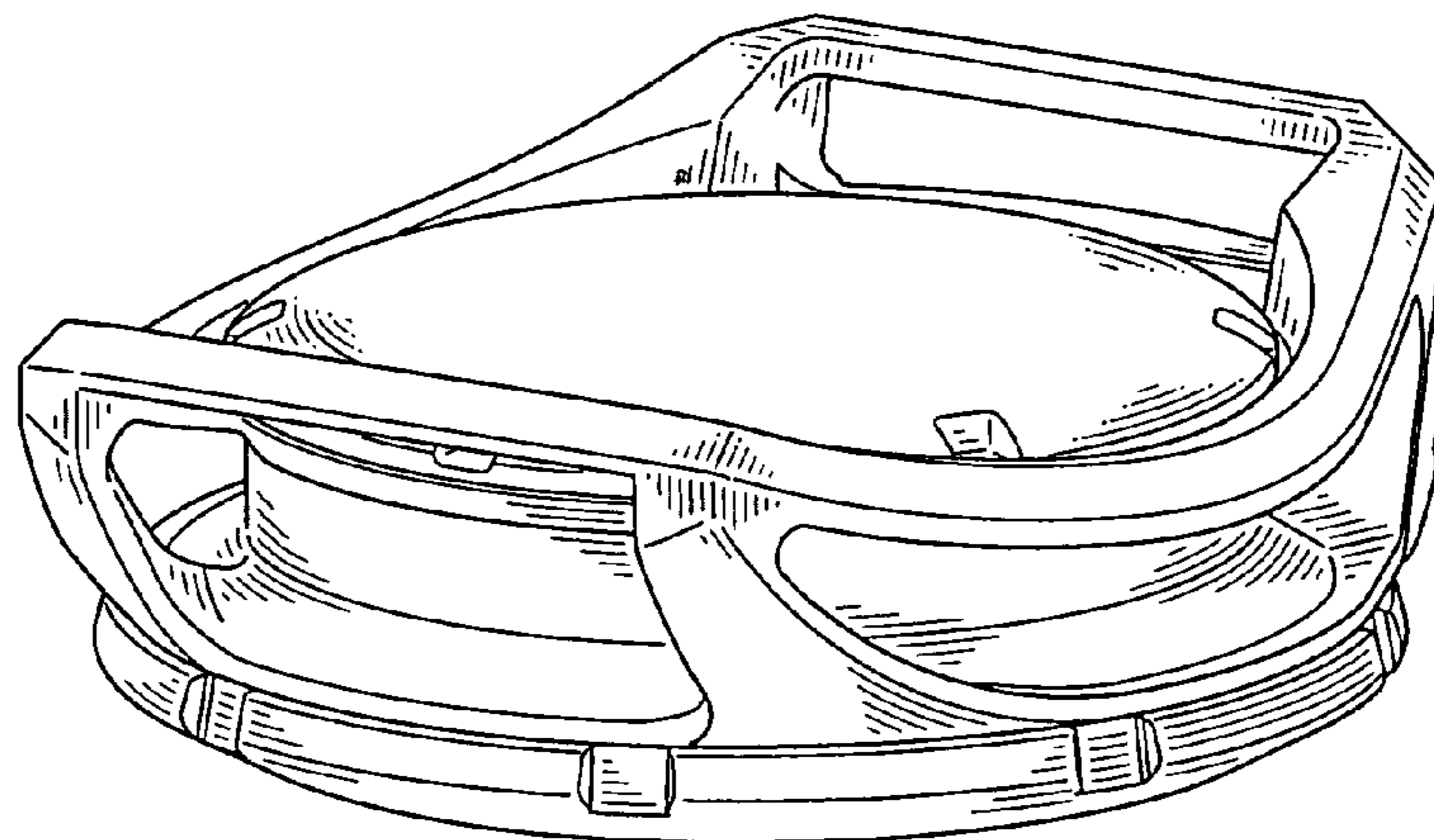


FIG. 3



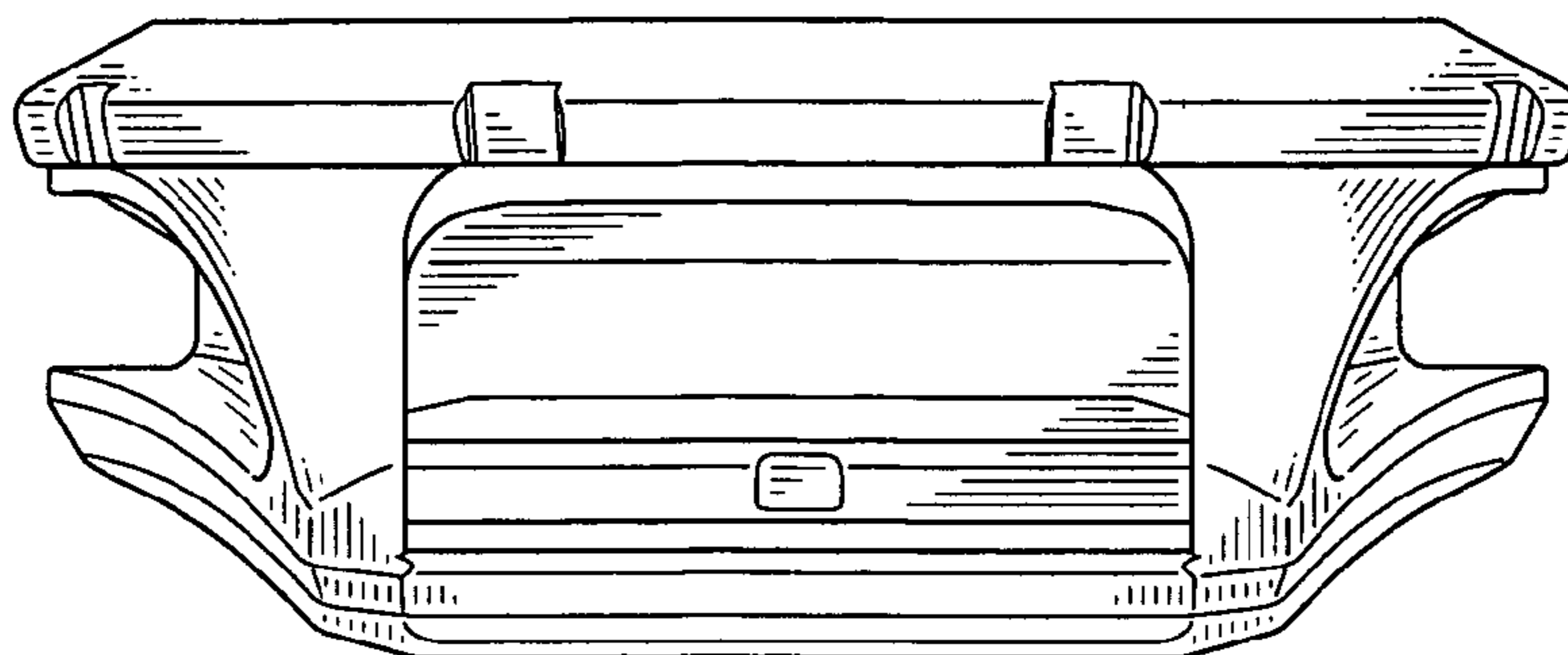


FIG. 4

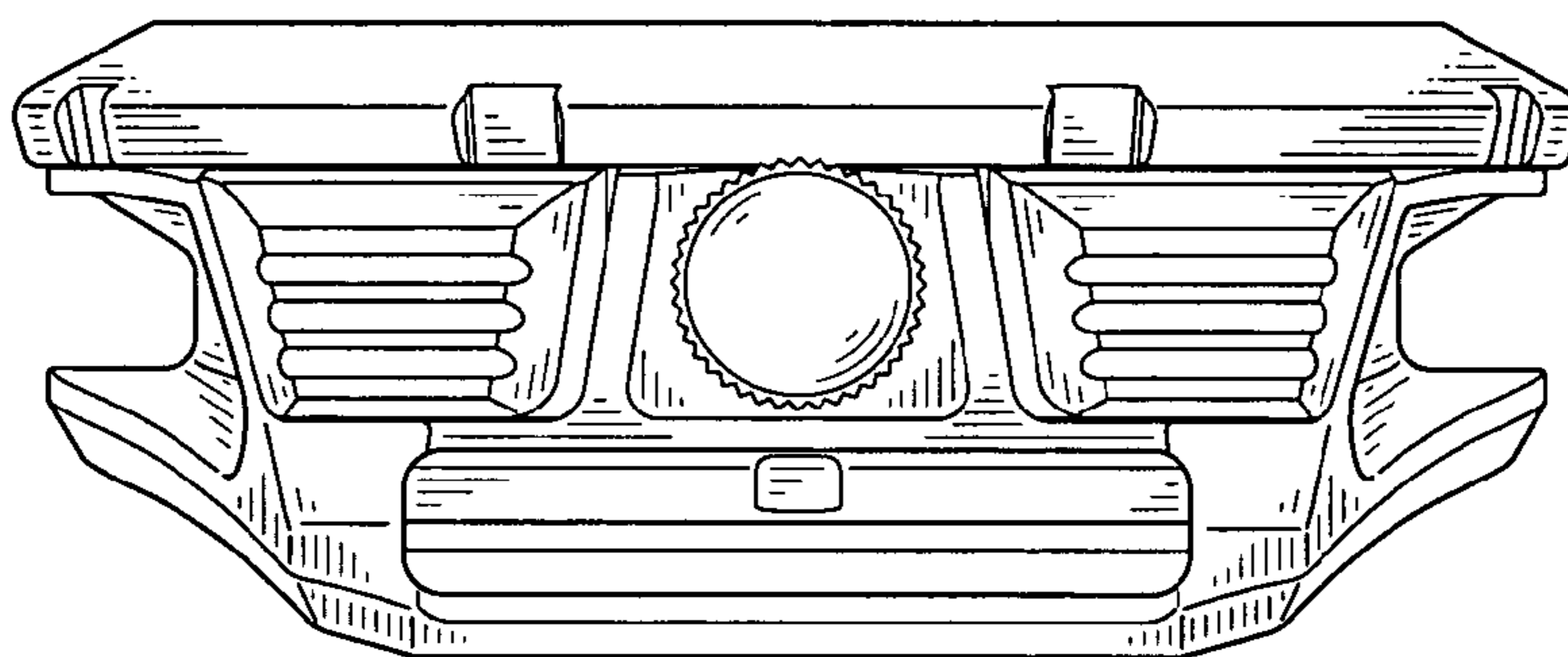


FIG. 5

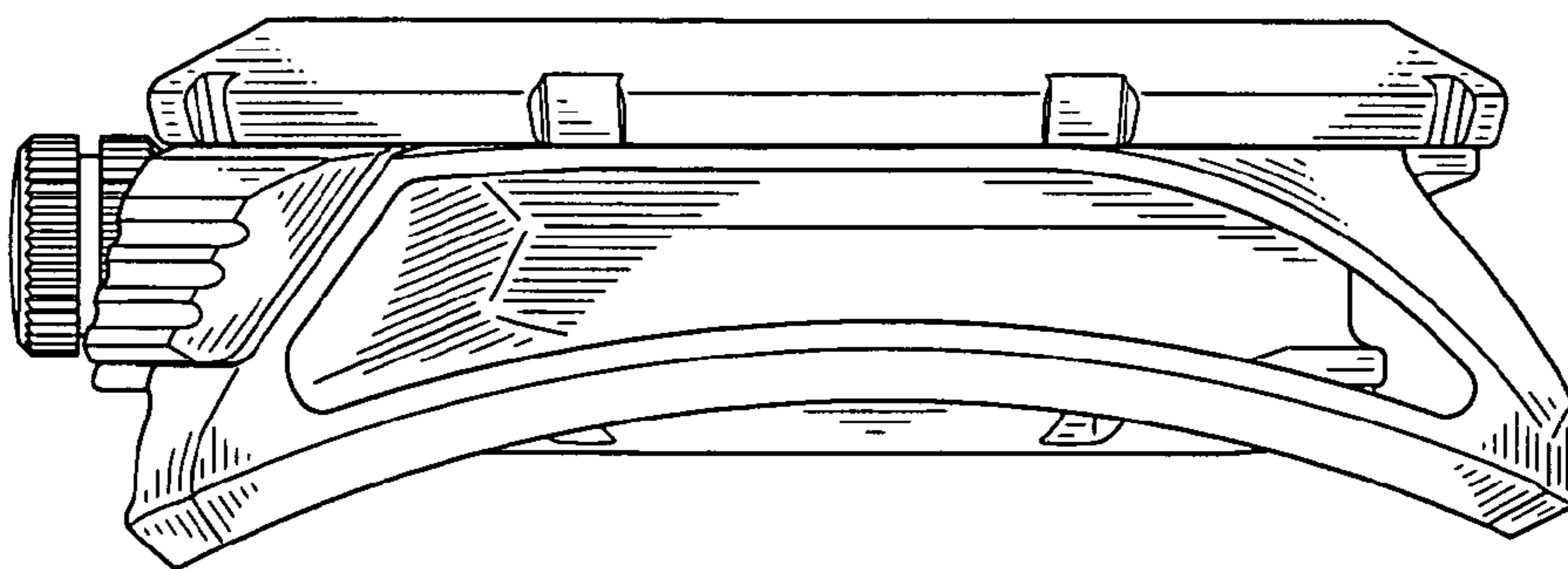


FIG. 6

FIG. 7

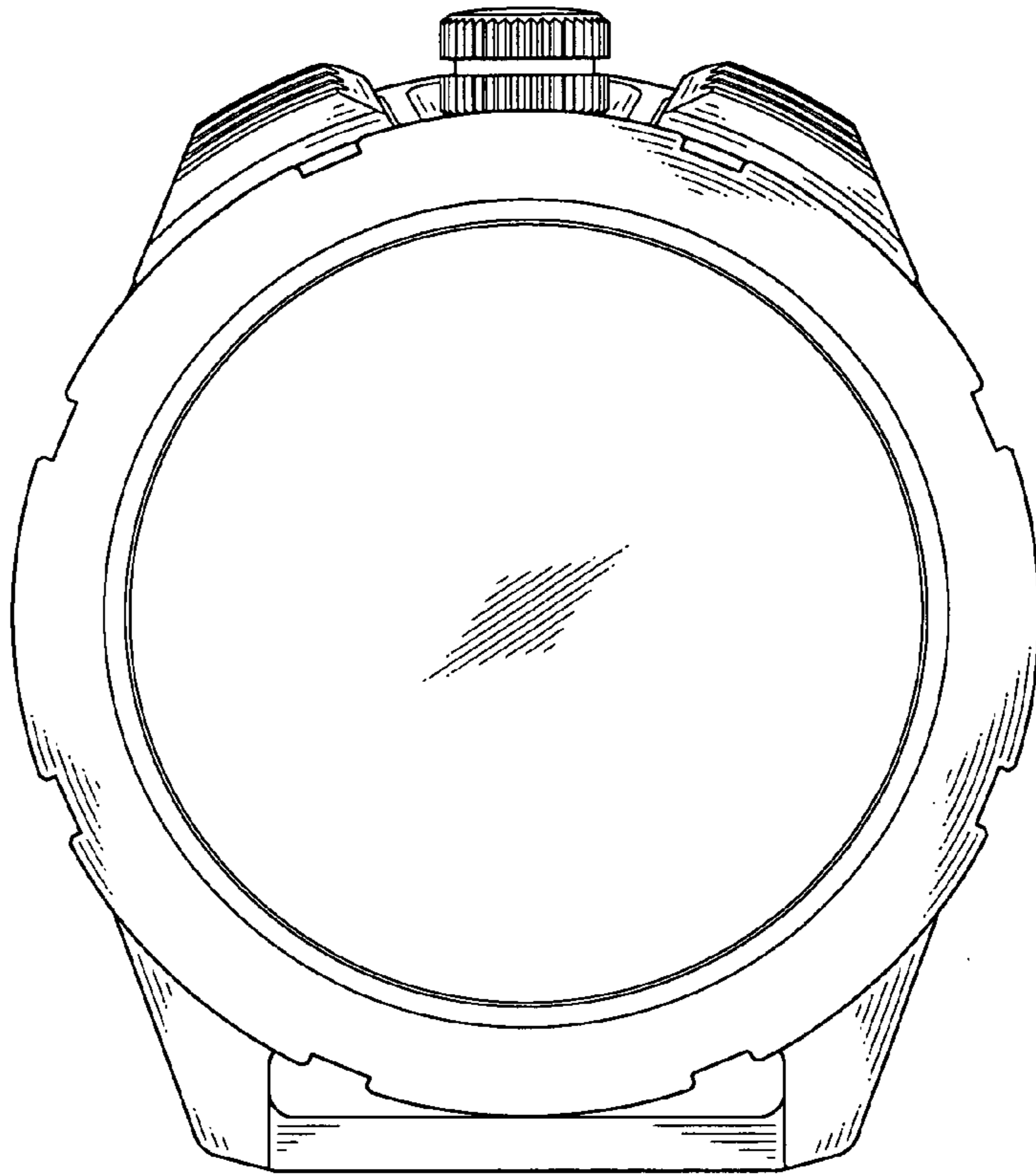


FIG. 8

