



US00D579787S

(12) **United States Design Patent**
Weggelaar

(10) **Patent No.:** **US D579,787 S**

(45) **Date of Patent:** **** Nov. 4, 2008**

(54) **BOTTLE**

(75) Inventor: **Bjorn Weggelaar**, Haarlem (NL)

(73) Assignee: **Sara Lee Household and Body Care**
Nederland B. V. (NL)

(**) Term: **14 Years**

(21) Appl. No.: **29/295,584**

(22) Filed: **Oct. 2, 2007**

(30) **Foreign Application Priority Data**

Apr. 3, 2007 (EM) 000701206

(51) **LOC (8) Cl.** **09-01**

(52) **U.S. Cl.** **D9/741**

(58) **Field of Classification Search** D9/684,
D9/738-747, 516, 560, 574-575, 452-454;
D4/114, 116; 215/6, 10; D7/598
See application file for complete search history.

(56) **References Cited**

U.S. PATENT DOCUMENTS

- 2,013,382 A * 9/1935 Garwood 65/74
- D105,290 S 7/1937 Lloyd
- D190,101 S * 4/1961 Mangini D9/741
- D191,251 S * 8/1961 Zackheim D9/741 X
- D192,980 S 6/1962 Mangini
- D205,196 S * 7/1966 Wikke D9/743
- D237,583 S 11/1975 Kemp
- D244,992 S * 7/1977 Van der Veken D9/741 X
- 4,196,808 A * 4/1980 Pardo 215/6 X
- D289,855 S * 5/1987 Carlson D9/741
- D290,225 S 6/1987 Carlson
- D292,266 S 10/1987 Vanlanen et al.
- D292,373 S * 10/1987 Costa D9/740
- D297,166 S 8/1988 Hollar et al.
- D298,991 S 12/1988 Stanley
- D301,546 S 6/1989 McCallister
- D307,111 S 4/1990 Green

- D308,163 S 5/1990 Hollar et al.
- D317,717 S 6/1991 Carol
- D326,606 S 6/1992 Green
- D327,639 S 7/1992 Burnsed
- D356,494 S * 3/1995 Eke et al. D9/684
- D369,279 S * 4/1996 Rothschild, III D7/598
- D373,606 S * 9/1996 Knudsen D21/503
- D399,131 S 10/1998 Eichler
- D413,748 S 9/1999 Lagrotta
- D420,576 S 2/2000 Abraskin
- 6,425,491 B1 * 7/2002 Abraskin 215/10
- D475,296 S * 6/2003 Lee D9/739
- D539,164 S * 3/2007 Decottignies et al. D9/738 X
- D554,532 S 11/2007 Weggelaar
- D569,737 S * 5/2008 Ogawa et al. D9/740
- D569,738 S * 5/2008 Ogawa et al. D9/741

OTHER PUBLICATIONS

U.S. Appl. No. 29/291,838, filed Sep. 17, 2007.

* cited by examiner

Primary Examiner—Carol Rademaker
(74) *Attorney, Agent, or Firm*—Foley & Lardner LLP

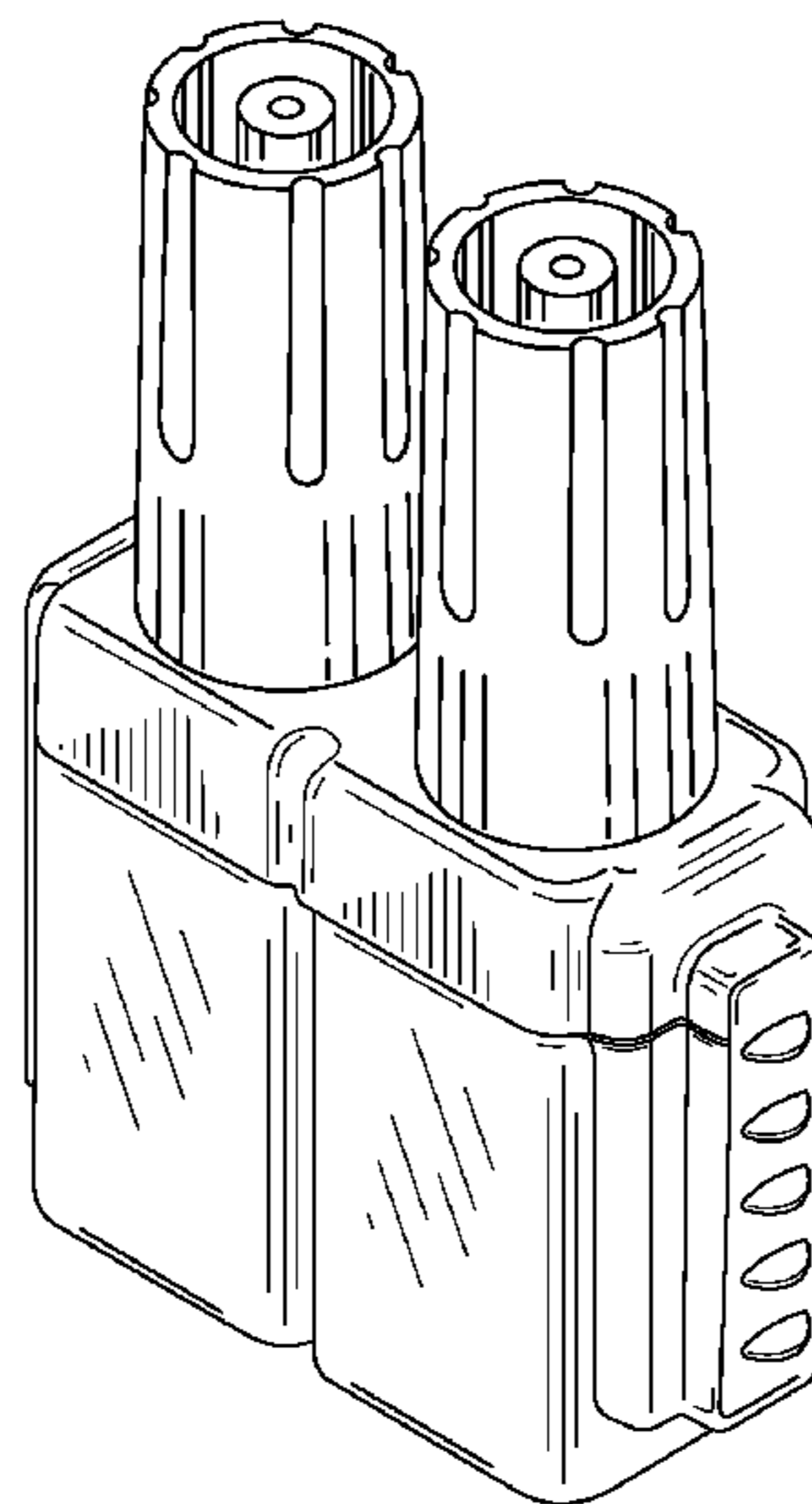
(57) **CLAIM**

The ornamental design for a bottle, as shown.

DESCRIPTION

FIG. 1 is a top, front, and right side perspective view of a bottle comprising the present invention;
 FIG. 2 is a top, rear, and left side perspective view thereof;
 FIG. 3 is a front elevational view thereof;
 FIG. 4 is a rear elevational view thereof;
 FIG. 5 is a right side elevational view thereof;
 FIG. 6 is a left side elevational view thereof;
 FIG. 7 is a top plan view thereof; and,
 FIG. 8 is a bottom plan view thereof.

1 Claim, 6 Drawing Sheets



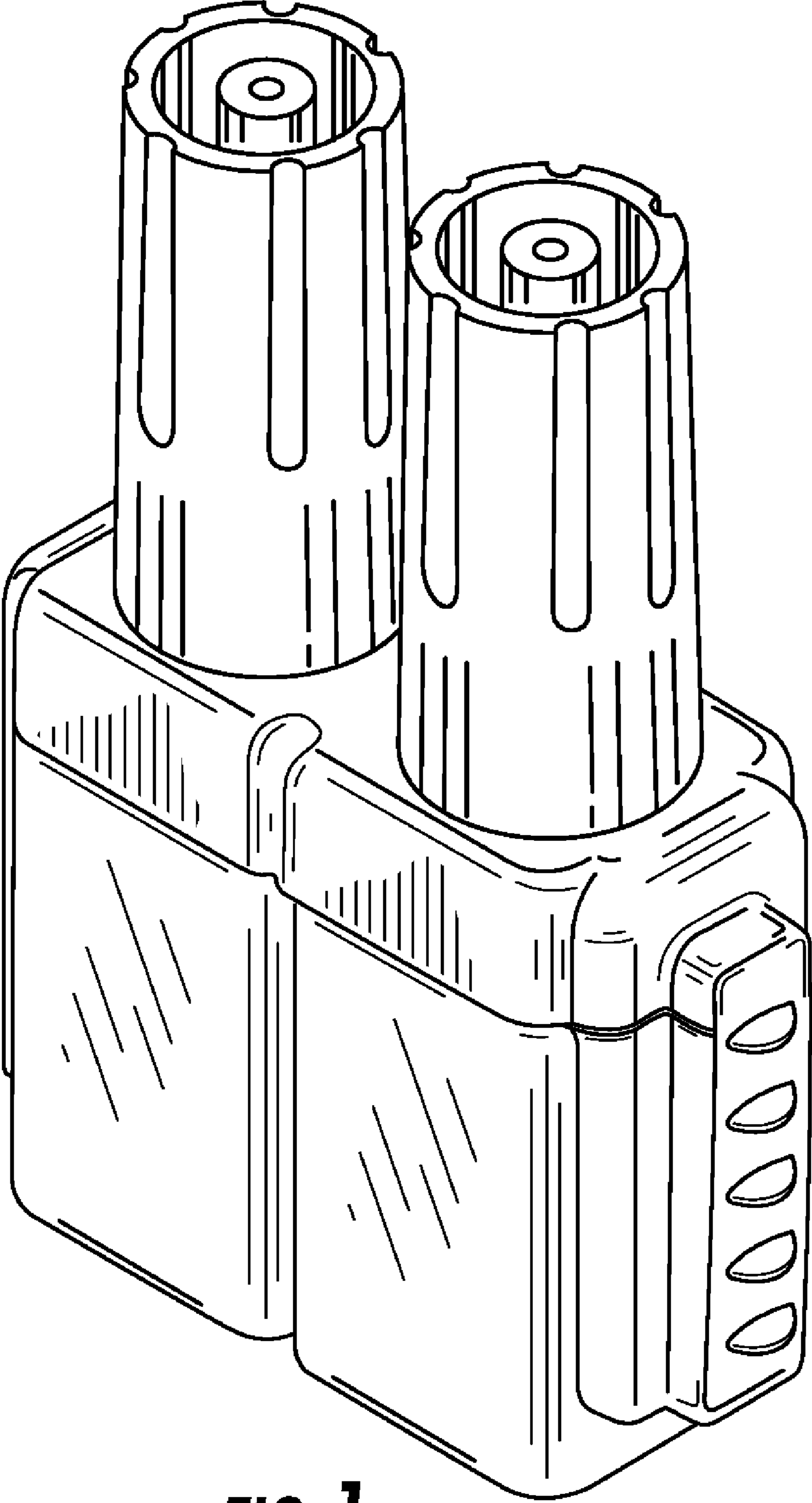


FIG. 1

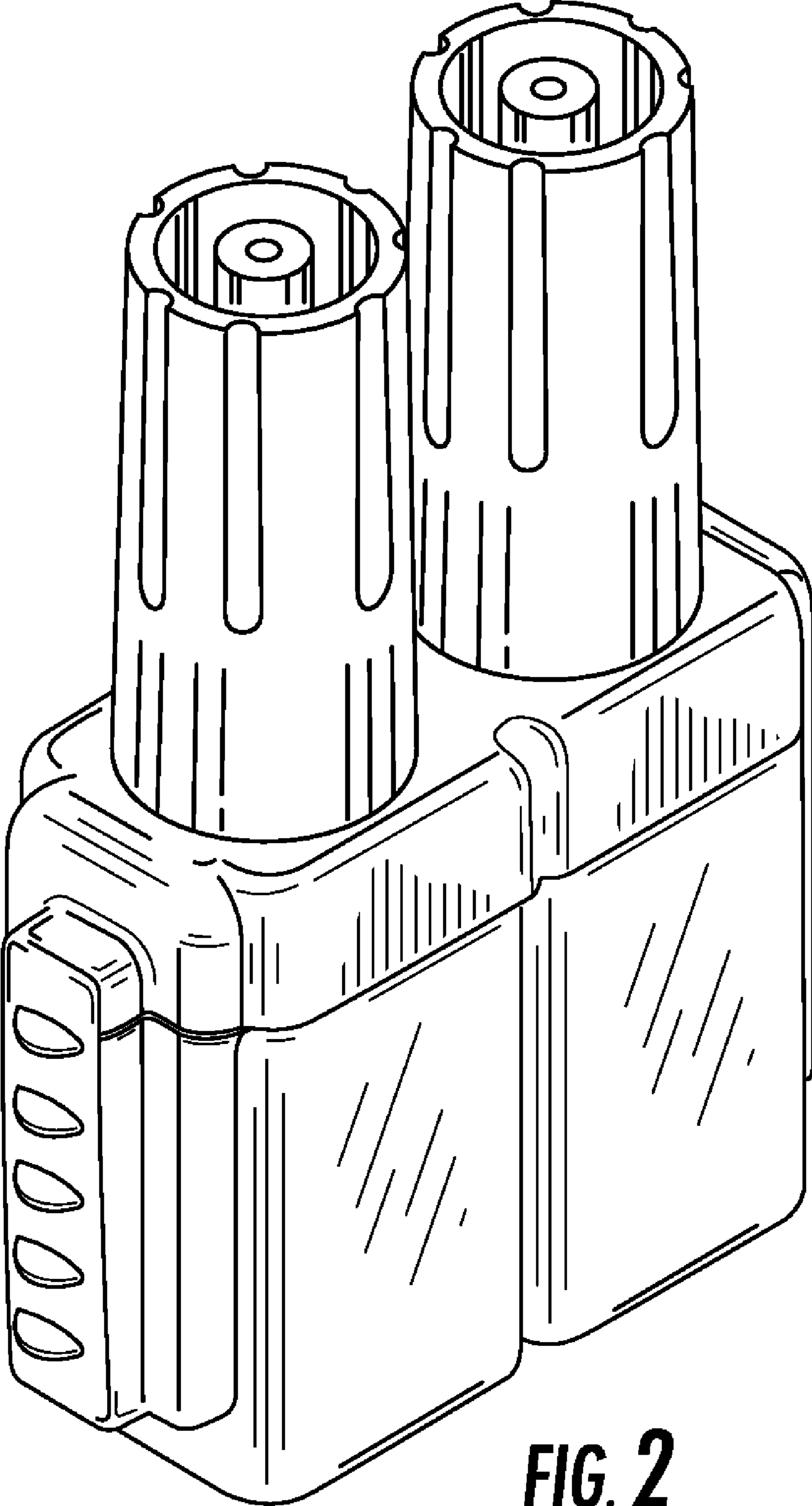


FIG. 2

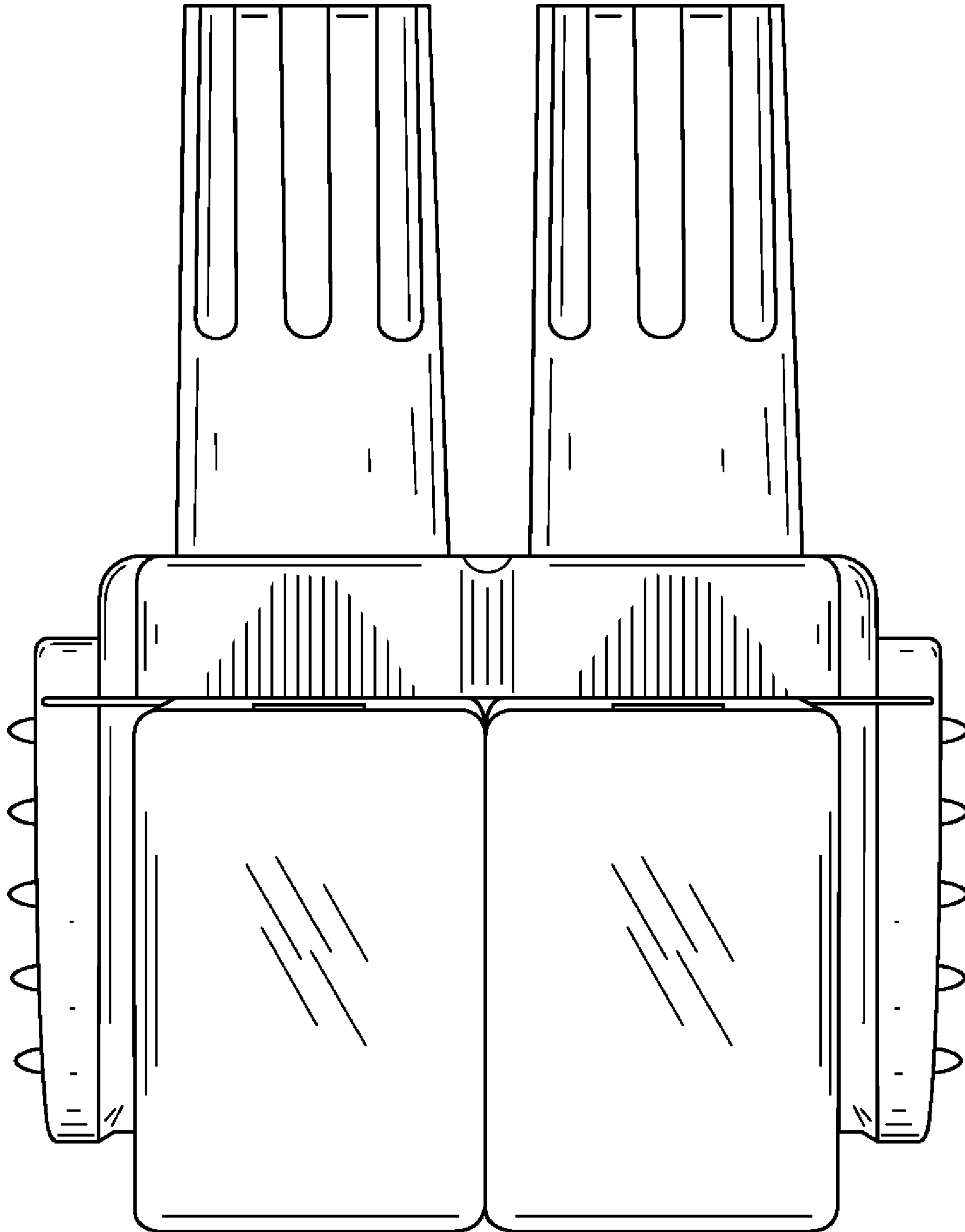


FIG. 3

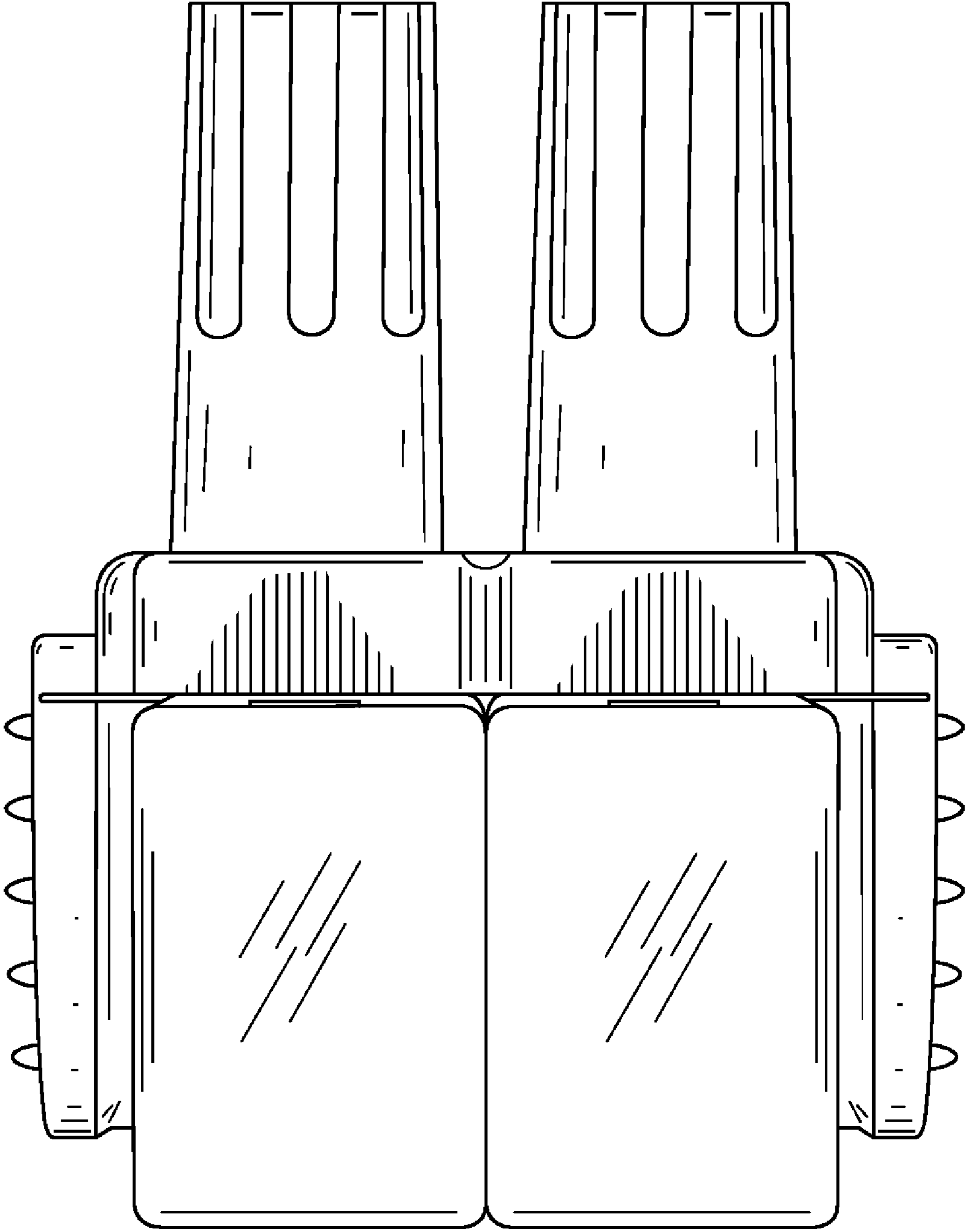


FIG. 4

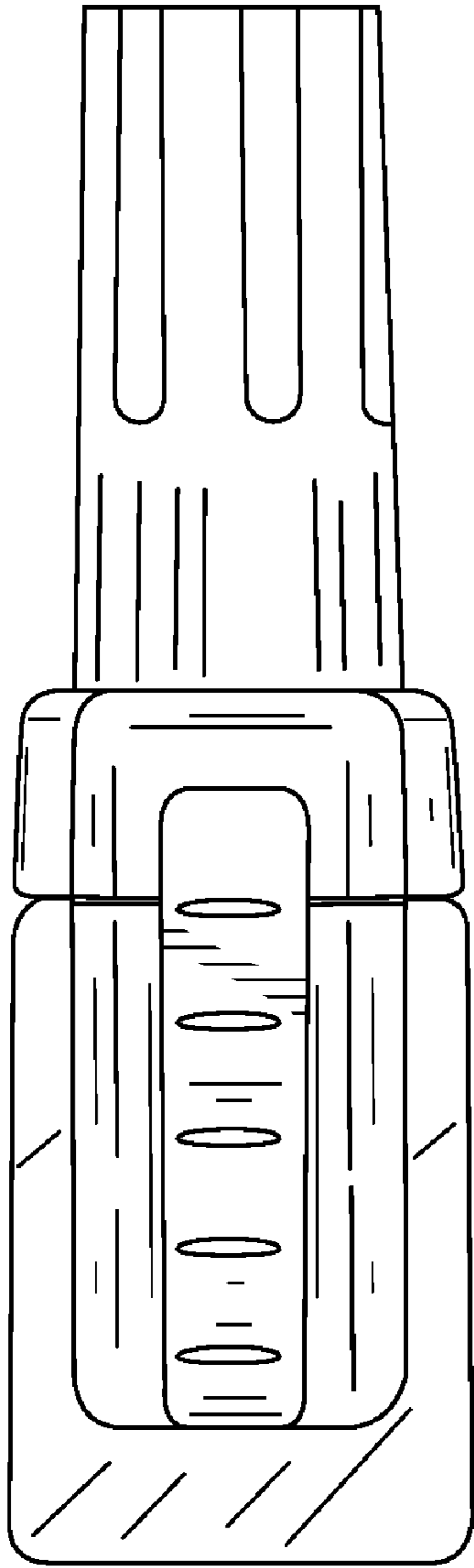


FIG. 5

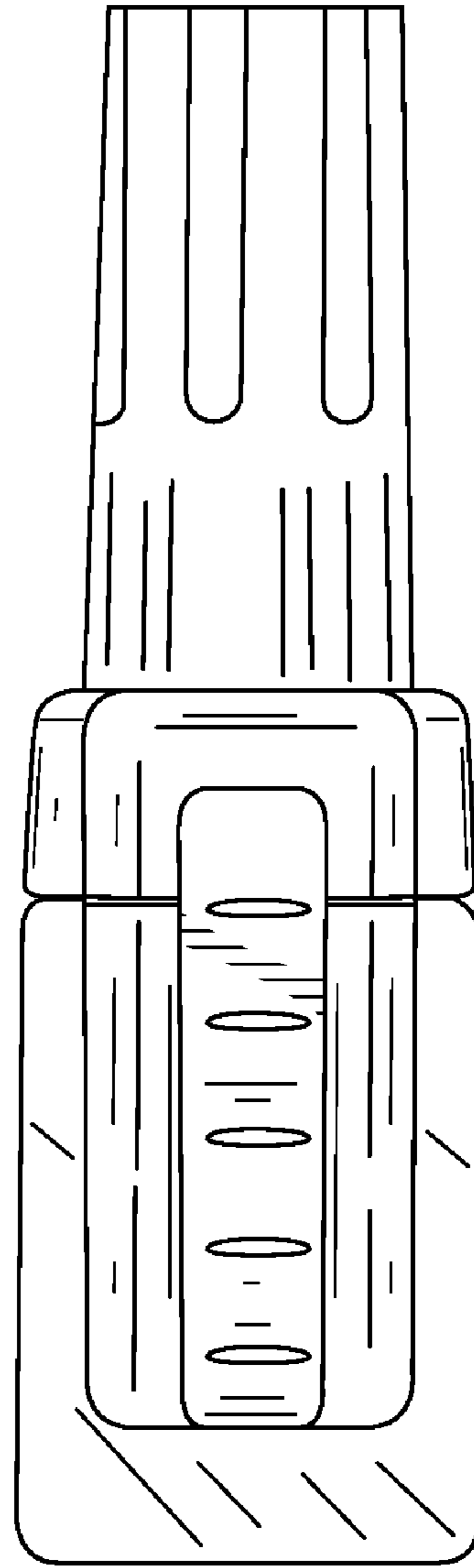


FIG. 6

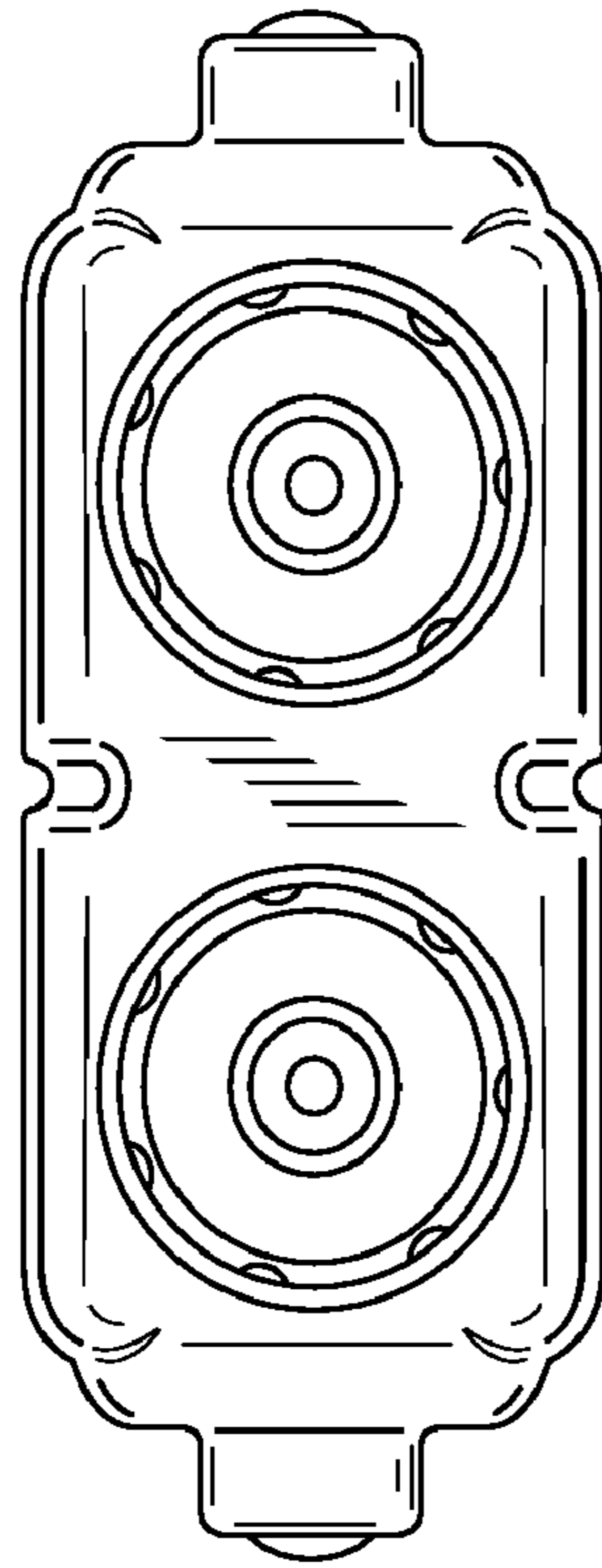


FIG. 7

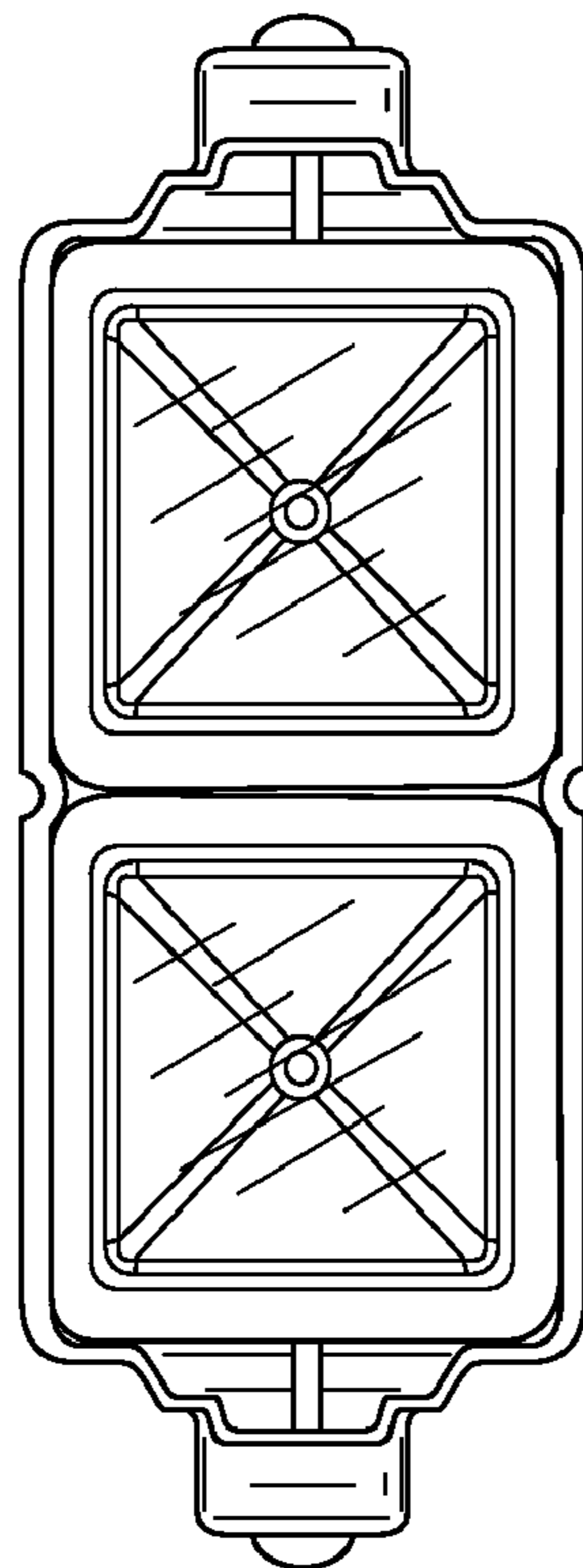


FIG. 8