

US00D579786S

(12) **United States Design Patent**
Py et al.

(10) **Patent No.:** **US D579,786 S**
(45) **Date of Patent:** **** Nov. 4, 2008**

(54) **DISPENSER**

(75) Inventors: **Daniel Py**, Larchmont, NY (US); **Julian V. Chan**, Spring Valley, NY (US); **Gladys Luz Valencia**, Stamford, CT (US)

(73) Assignee: **Medical Instill Technologies, Inc.**, New Milford, CT (US)

(**) Term: **14 Years**

(21) Appl. No.: **29/245,373**

(22) Filed: **Dec. 22, 2005**

(51) **LOC (8) Cl.** **09-01**

(52) **U.S. Cl.** **D9/724**

(58) **Field of Classification Search** D9/434,
D9/454, 723-727; D23/213; D28/88, 89;
D19/35, 41, 43, 45, 51, 57, 65, 66, 70; 221/64,
221/65, 135, 208, 278, 282; 222/105, 394,
222/402.1, 402.15, 546

See application file for complete search history.

(56) **References Cited**

U.S. PATENT DOCUMENTS

2,252,542 A	8/1941	Beeh	
2,388,321 A	11/1945	Gereke	
2,442,503 A	6/1948	Melnikoff	
2,642,607 A	6/1953	Bozzalla	
2,715,236 A	8/1955	Tereno	
2,725,595 A	12/1955	Sisk et al.	
2,732,736 A	1/1956	Bonnie	
2,743,042 A	4/1956	Burgin	
3,864,047 A	2/1975	Sherrod	
4,002,182 A	1/1977	Michel	
D331,874 S *	12/1992	Schmidt	D9/724
D335,256 S *	5/1993	Slavin et al.	D9/724
D353,197 S *	12/1994	Hawks	D24/135
5,505,341 A	4/1996	Gueret	
5,738,067 A	4/1998	Landwehr et al.	
5,772,347 A	6/1998	Gueret	
5,879,095 A	3/1999	Gueret	
D414,688 S *	10/1999	Loeb et al.	D9/697

6,010,036 A	1/2000	Bougamont et al.	
6,073,813 A	6/2000	Tanner	
D433,192 S *	10/2000	Gavin	D28/85
D437,663 S *	2/2001	Lang et al.	D28/68
6,409,406 B1	6/2002	Schwartzman	
D479,466 S *	9/2003	Bremner et al.	D9/434
6,688,317 B2	2/2004	Gueret	
6,745,781 B2	6/2004	Gueret	
D507,680 S *	7/2005	Py et al.	D28/88
D516,251 S *	2/2006	Py et al.	D28/89
D543,469 S *	5/2007	Py et al.	D9/724
D554,183 S *	10/2007	Paulus et al.	D19/53
2004/0161292 A1	8/2004	Breidenbach et al.	

* cited by examiner

Primary Examiner—Stella M. Reid

Assistant Examiner—Shanda C. Hill

(74) *Attorney, Agent, or Firm*—McCarter & English, LLP

(57) **CLAIM**

The ornamental design for a dispenser, as shown and described.

DESCRIPTION

FIG. 1 is a top and right perspective view of a dispenser showing our new design;

FIG. 2 is a right side elevational view of the dispenser of FIG. 1;

FIG. 3 is a top elevational view of the dispenser of FIG. 1;

FIG. 4 is a left side elevational view of the dispenser of FIG. 1;

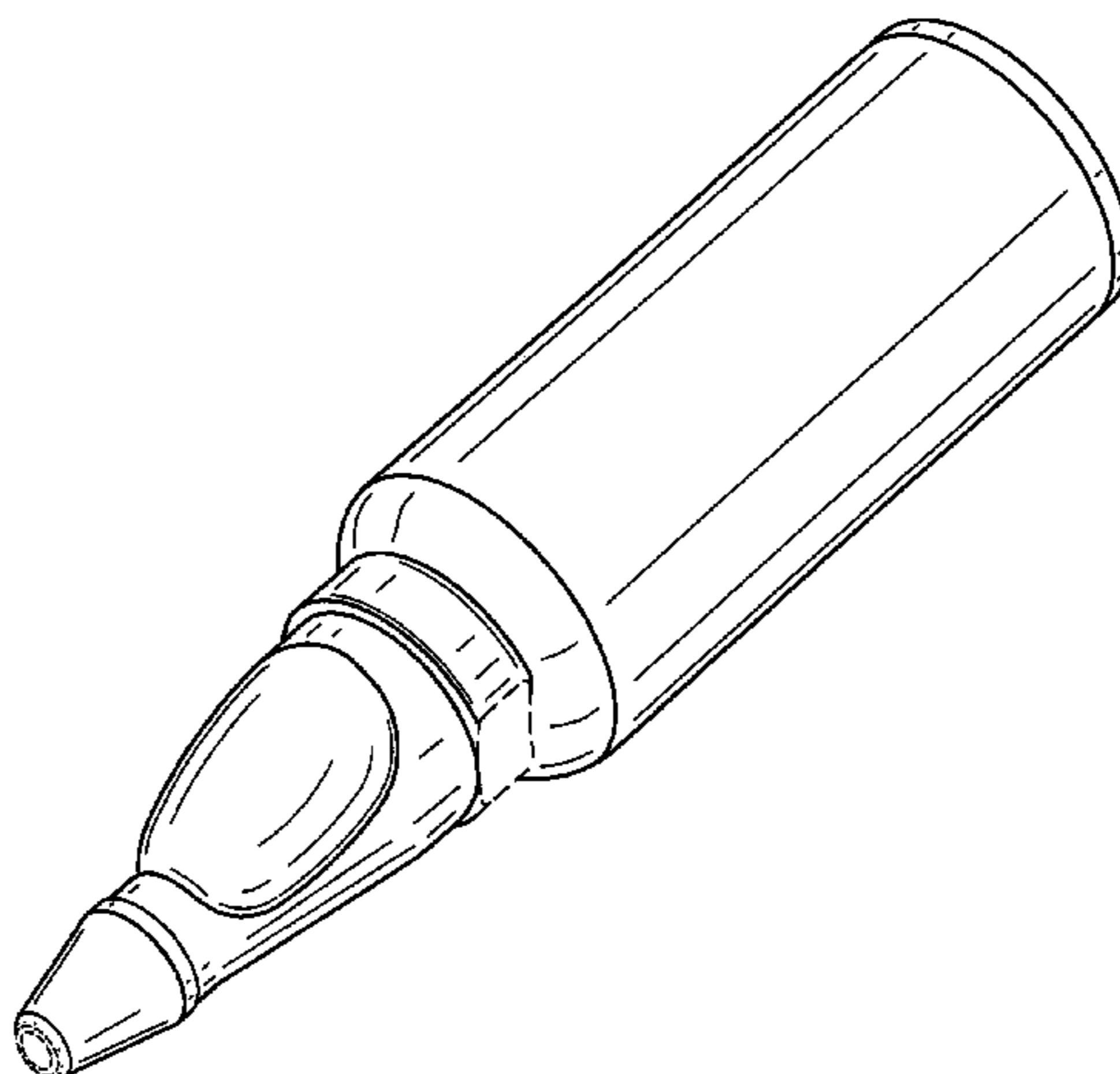
FIG. 5 is a bottom elevational view of the dispenser of FIG. 1;

FIG. 6 is a front end elevational view of the dispenser of FIG. 1; and,

FIG. 7 is a rear end elevational view of the dispenser of FIG. 1.

The broken lines shown in the drawing disclosure are for illustrative purposes only and form no part of the claimed design.

1 Claim, 4 Drawing Sheets



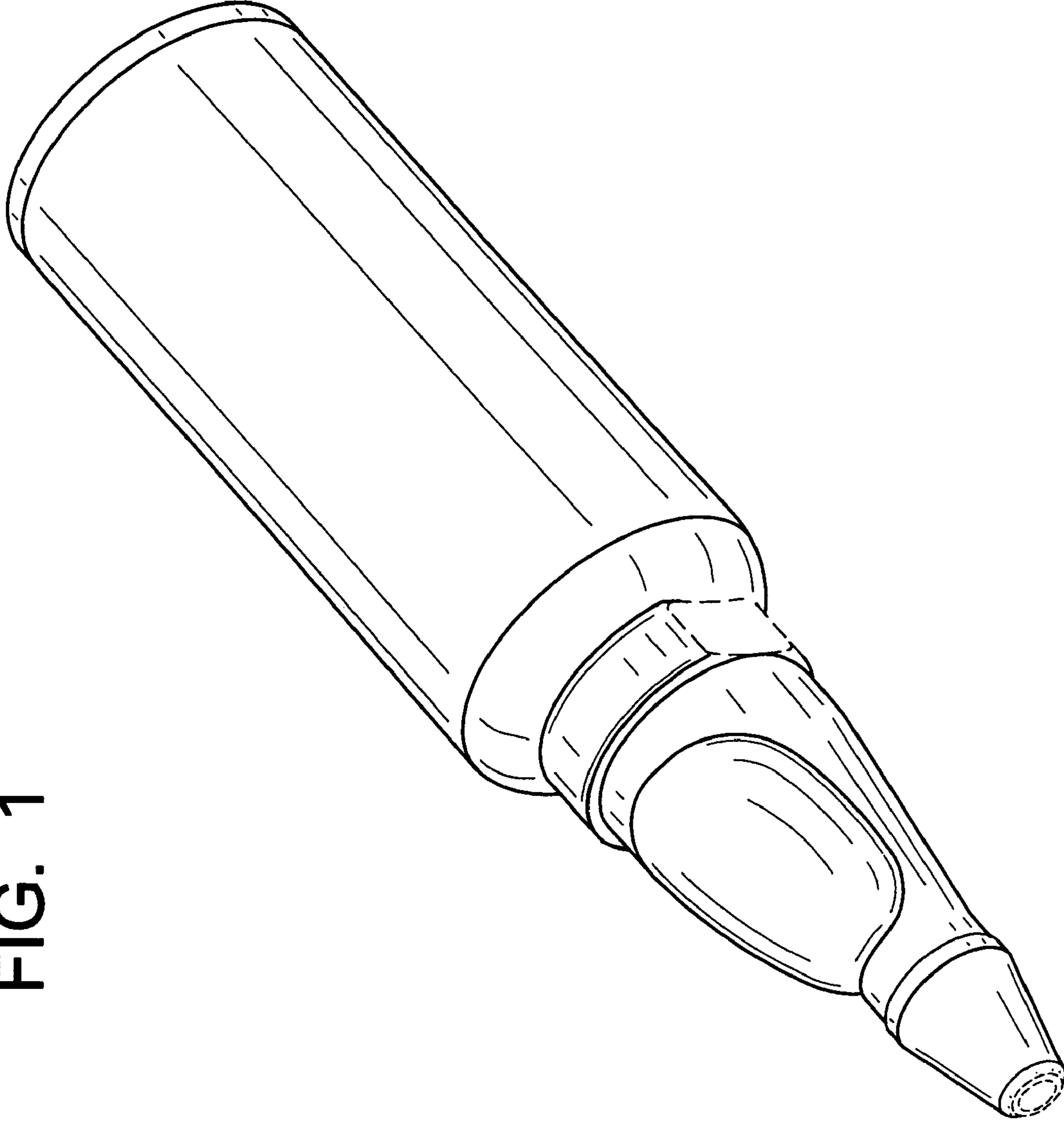


FIG. 1

FIG. 2

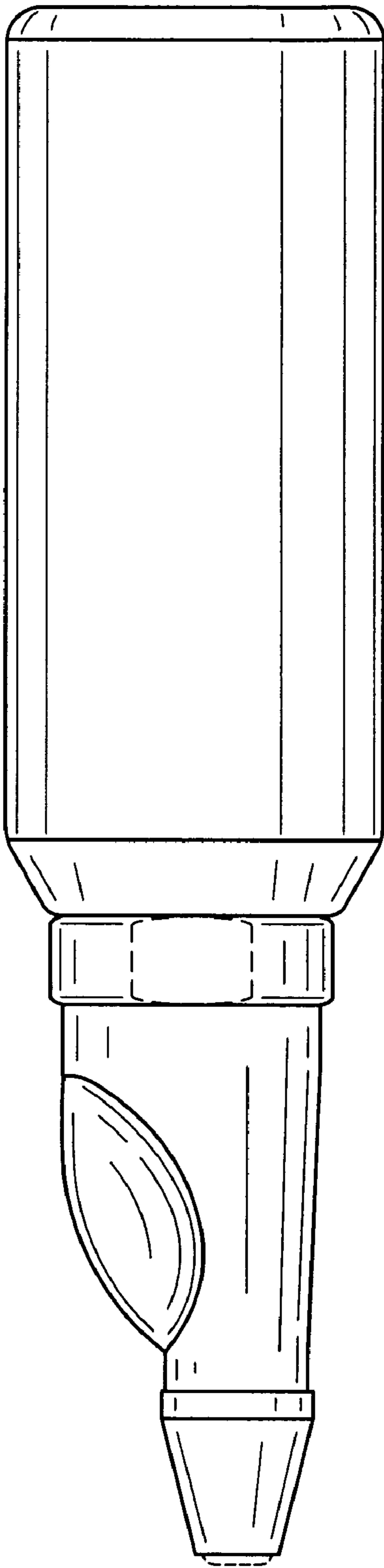


FIG. 3

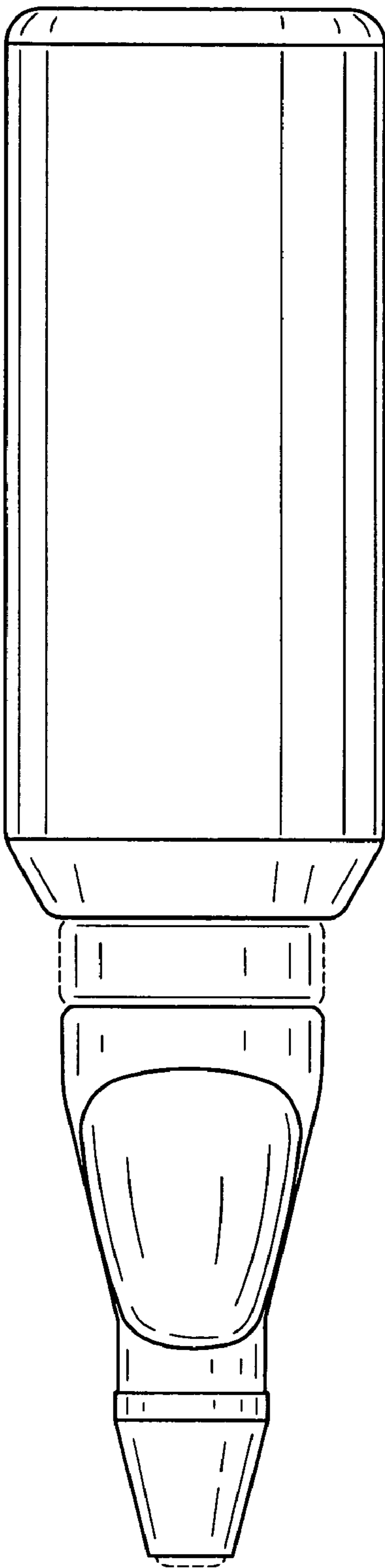


FIG. 4

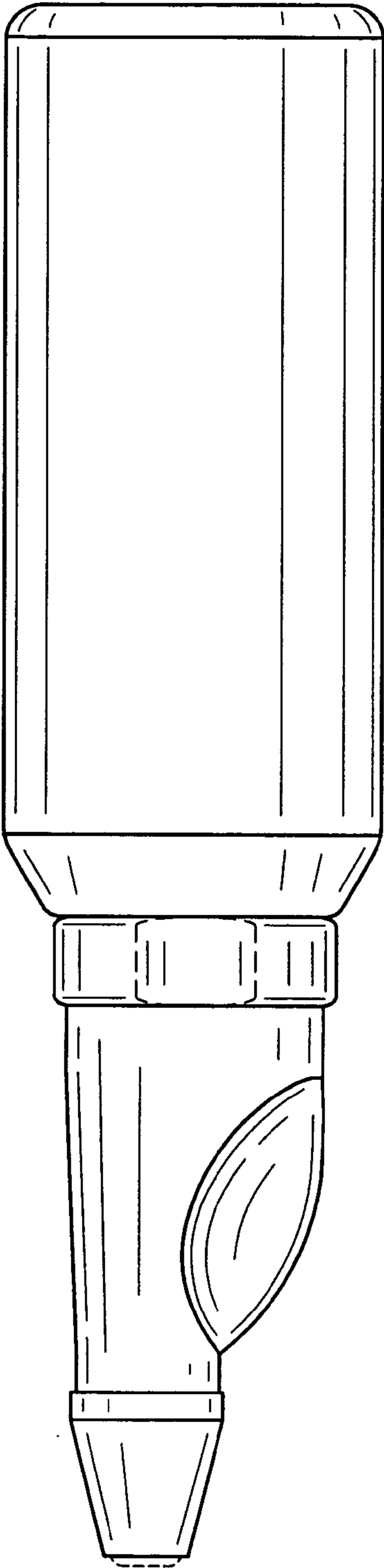


FIG. 5

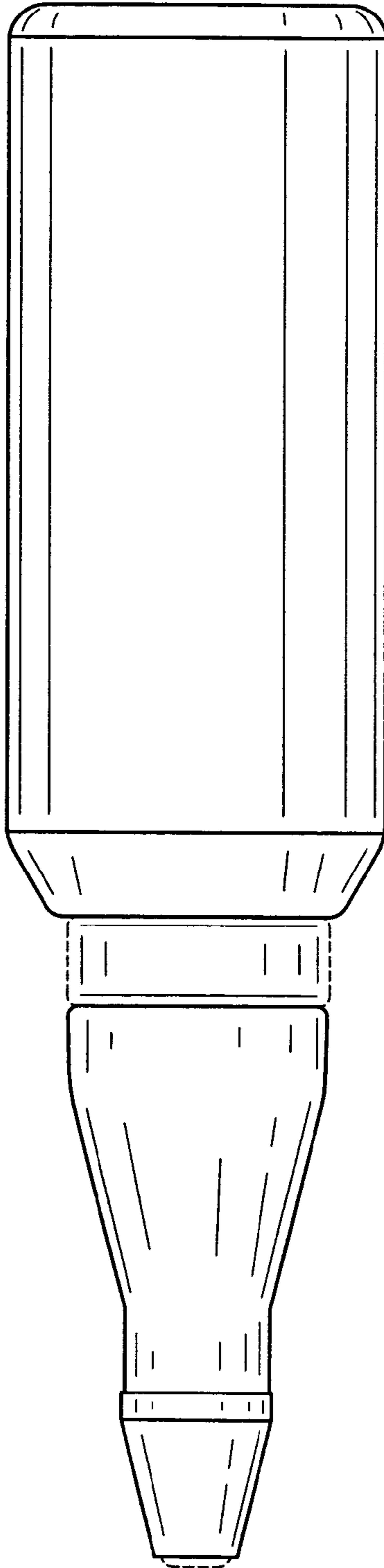


FIG. 7

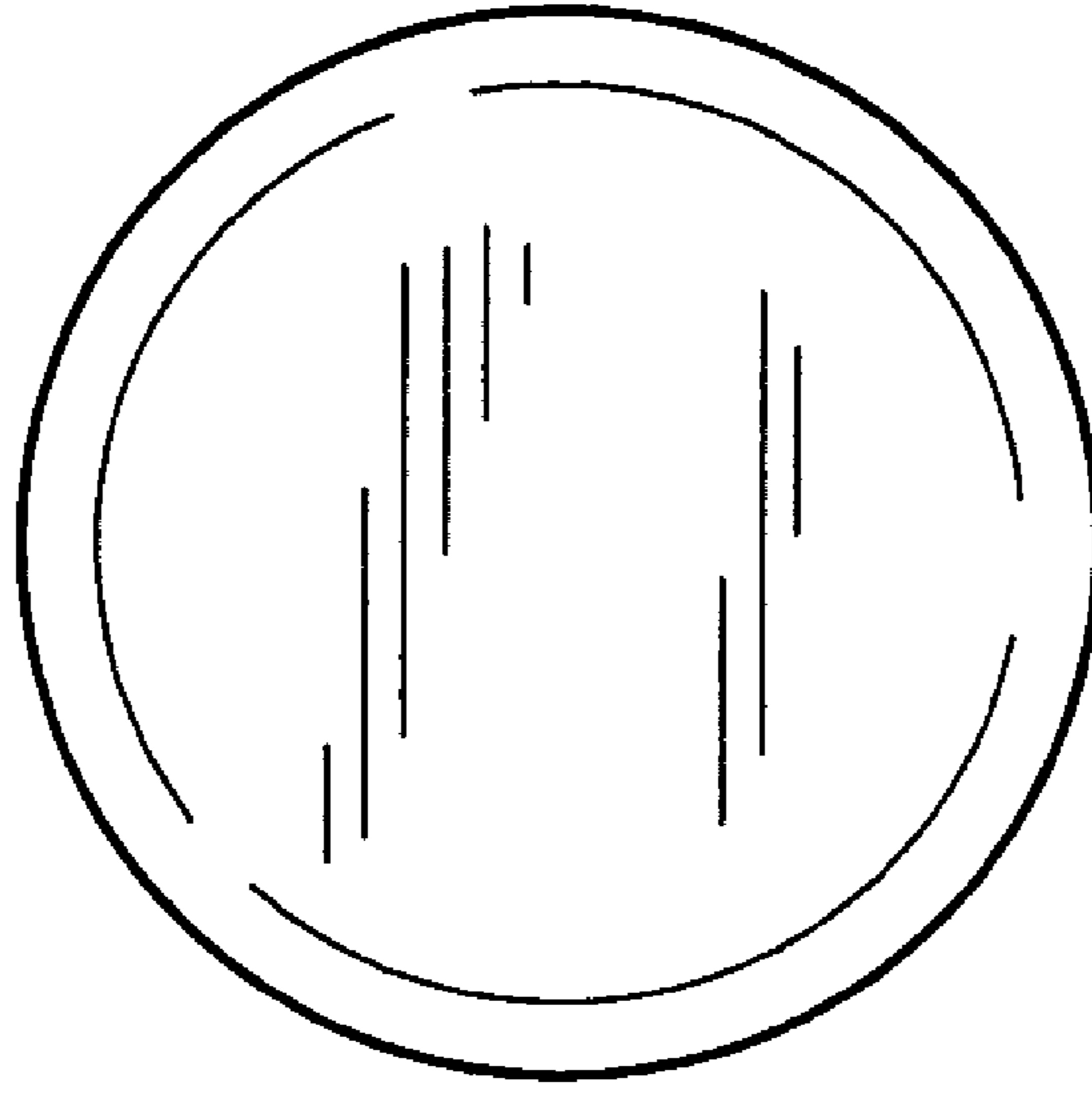


FIG. 6

