



US00D579784S

(12) **United States Design Patent**  
**Varlet**

(10) **Patent No.:** **US D579,784 S**

(45) **Date of Patent:** **\*\* Nov. 4, 2008**

(54) **BOTTLE**

(75) Inventor: **Hubert Varlet**, Paris (FR)

(73) Assignee: **Pochet of America, Inc.**, Wayne, NJ  
(US)

(\*\*) Term: **14 Years**

(21) Appl. No.: **29/307,089**

(22) Filed: **Mar. 31, 2008**

D171,516 S *	2/1954	Otto .....	D9/560
D217,435 S *	5/1970	Wire .....	D9/560
D234,915 S *	4/1975	Freedman .....	D9/572
D262,518 S *	1/1982	Cottrell .....	D9/520
D320,554 S *	10/1991	Van Dine et al. ....	D9/574
D345,920 S *	4/1994	Gobe .....	D9/571
D426,469 S *	6/2000	Mankowski et al. ....	D9/541
D481,957 S *	11/2003	Modjeski .....	D9/560
D505,625 S *	5/2005	Servaux et al. ....	D9/560
D511,971 S *	11/2005	Moretti .....	D9/560
D523,755 S *	6/2006	Considine et al. ....	D9/560
D570,221 S *	6/2008	Moretti .....	D9/529

\* cited by examiner

**Related U.S. Application Data**

(62) Division of application No. 29/268,293, filed on Nov. 2, 2006, now Pat. No. Des. 573,479.

(51) **LOC (8) Cl.** ..... **09-01**

(52) **U.S. Cl.** ..... **D9/546; D9/544; D9/560**

(58) **Field of Classification Search** ..... D9/516,  
D9/529, 541, 542, 543, 544, 545, 546, 549,  
D9/556, 557, 558, 559, 560, 569, 570, 572,  
D9/573, 574, 575, 434, 435; 215/381-385,  
215/396, 398

See application file for complete search history.

(56) **References Cited**

**U.S. PATENT DOCUMENTS**

D6,528 S *	3/1873	Muller et al. ....	D9/560
D31,235 S *	7/1899	Low .....	D9/560
D36,656 S *	12/1903	Ritz .....	D9/560
D86,656 S *	4/1932	Barbiers .....	D9/560
D99,363 S *	4/1936	Norman .....	D9/560
D101,563 S *	10/1936	Smith .....	D9/560
D103,341 S *	2/1937	Rettich .....	D19/93

*Primary Examiner*—Prabhakar Deshmukh

*Assistant Examiner*—Elizabeth J Oswecki

(74) *Attorney, Agent, or Firm*—R. Neil Sudol; Henry D. Coleman; William J. Sapone

(57) **CLAIM**

The ornamental design for the bottle, as shown and described.

**DESCRIPTION**

FIG. 1 is a top, front, and right side perspective view of a bottle, showing my new design;

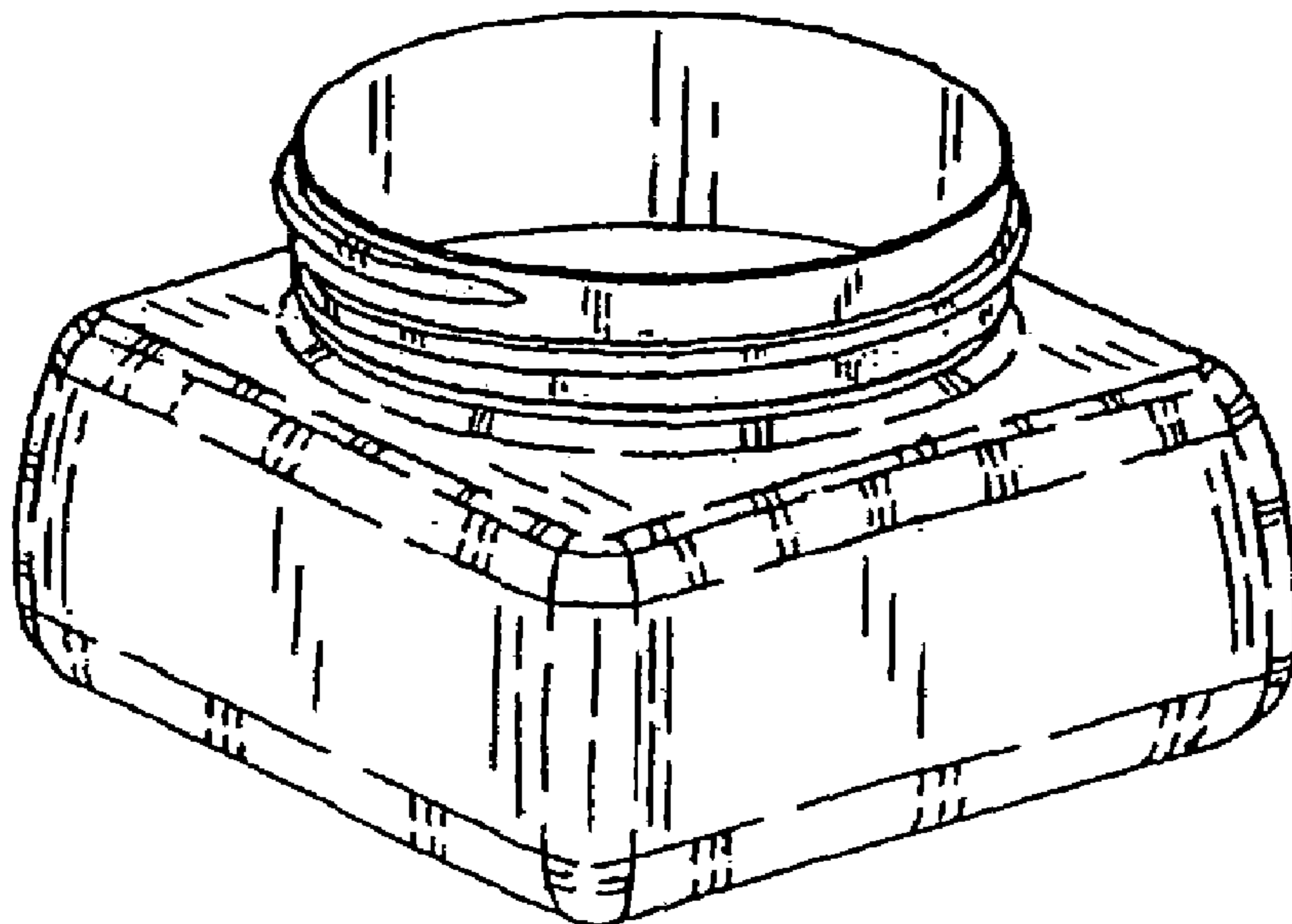
FIG. 2 is a front elevational view thereof, the rear and side elevational views being identical;

FIG. 3 is a top plan view thereof; and,

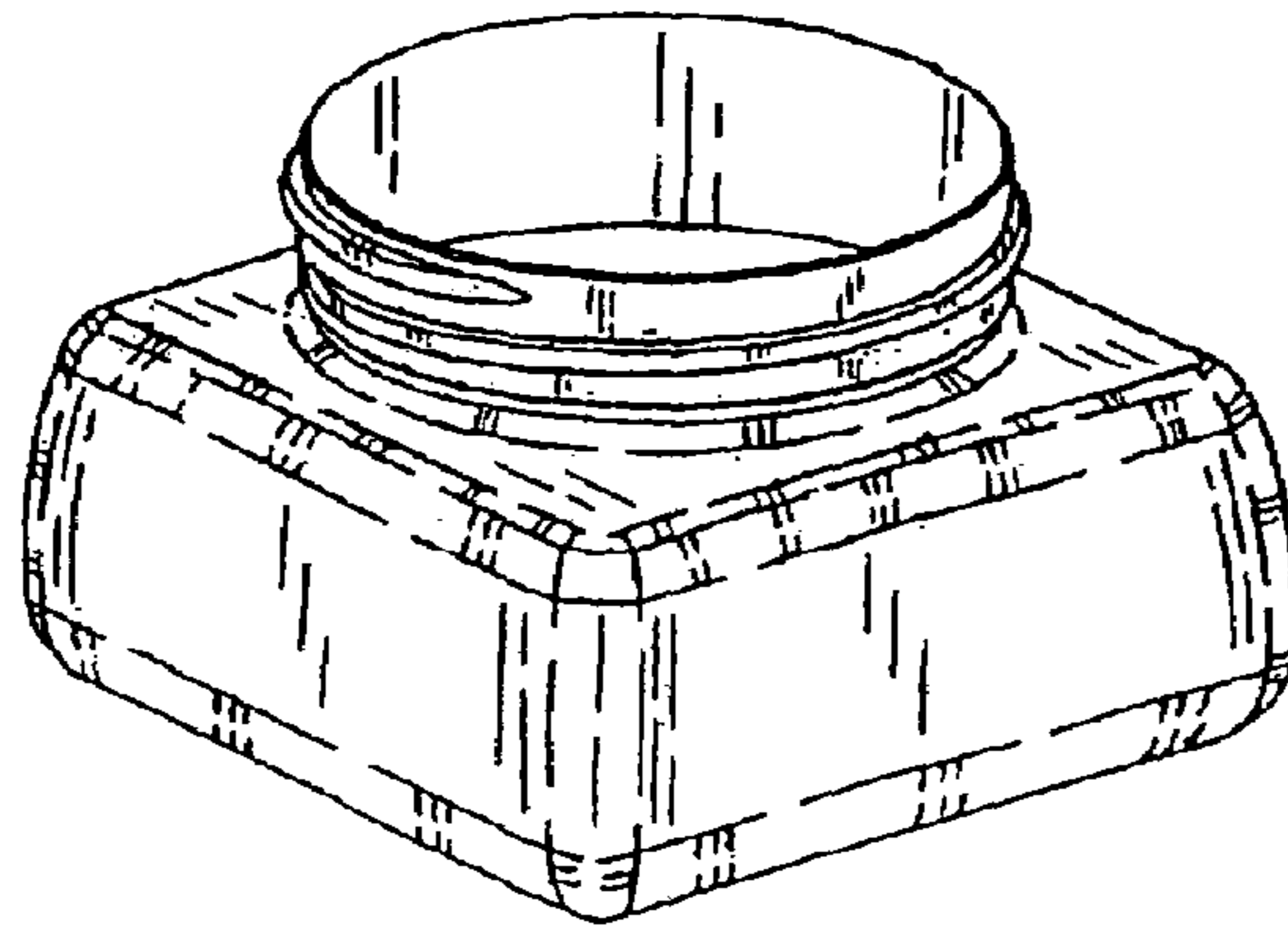
FIG. 4 is a bottom plan view thereof.

The broken line showing of a bottom of the bottle in FIG. 4 is included for the purpose of illustrating only and forms no part of the claimed design.

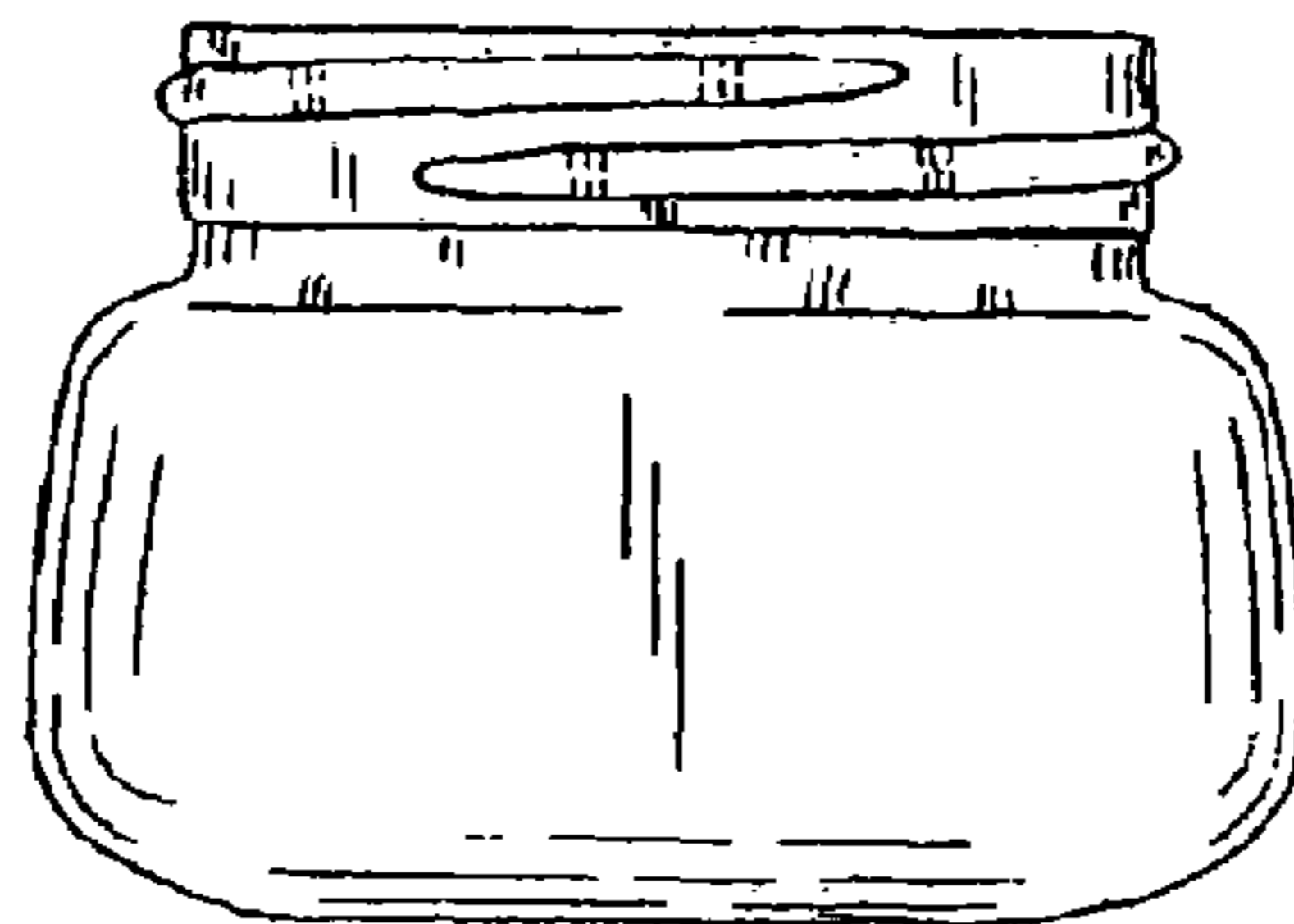
**1 Claim, 1 Drawing Sheet**



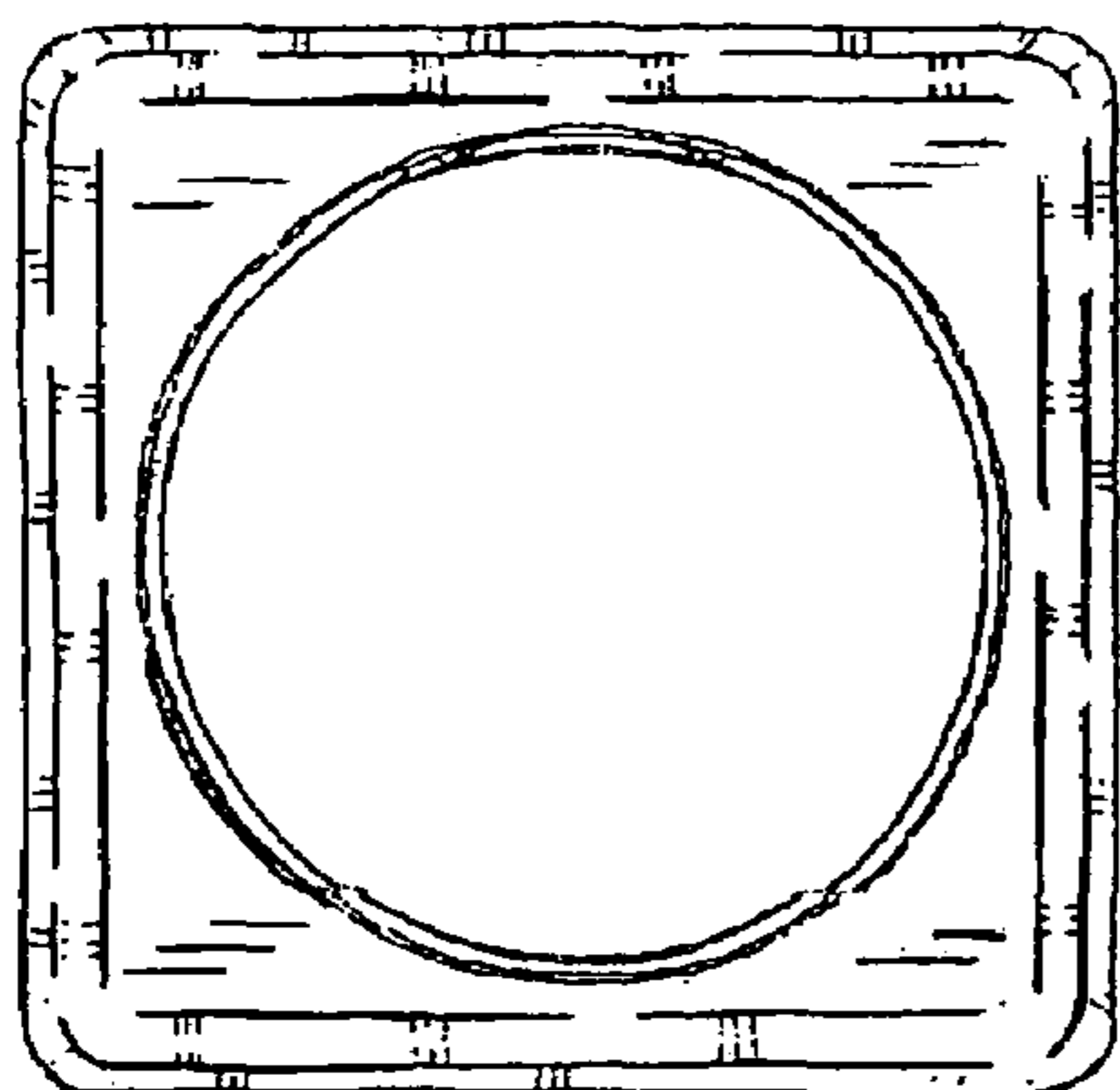
**FIG. 1**



**FIG. 2**



**FIG. 3**



**FIG 4**

