



US00D579781S

(12) **United States Design Patent**  
**Granitz**

(10) **Patent No.:** **US D579,781 S**

(45) **Date of Patent:** **\*\* Nov. 4, 2008**

(54) **JAR**

(75) Inventor: **Steffi Granitz**, Ratingen (DE)

(73) Assignee: **Henkel KGaA**, Dusseldorf (DE)

(\*\*) Term: **14 Years**

(21) Appl. No.: **29/268,338**

(22) Filed: **Nov. 3, 2006**

(30) **Foreign Application Priority Data**

May 29, 2006 (EM) ..... 000536701

(51) **LOC (8) Cl.** ..... **09-01**

(52) **U.S. Cl.** ..... **D9/542; D9/564; D9/574;**  
D9/453

(58) **Field of Classification Search** ..... D9/682,  
D9/686-694, 516, 526-530, 541-543, 564,  
D9/571-575, 435, 453, 454; D28/4, 7, 76,  
D28/82; 215/379, 382-384; 220/660, 669,  
220/670; D23/366, 369, 499

See application file for complete search history.

(56) **References Cited**

**U.S. PATENT DOCUMENTS**

D116,016 S *	8/1939	Buckingham	.....	D9/542
D144,569 S *	4/1946	Karoff	.....	D9/678
D206,194 S *	11/1966	Gooding	.....	D9/542
D277,732 S *	2/1985	Lang	.....	D9/543
D314,144 S *	1/1991	Ricard	.....	D9/545
D330,677 S *	11/1992	Thornock et al.	.....	D9/571 X
D346,115 S *	4/1994	Meisner et al.	.....	D9/529
D348,395 S *	7/1994	Bertolini	.....	D9/529
D382,812 S *	8/1997	Kokenge et al.	.....	D9/543

D406,770 S	3/1999	Rosen et al.	
D461,416 S *	8/2002	Pieschel	..... D9/530
6,588,615 B1 *	7/2003	Pitassi	..... 215/318
D489,626 S *	5/2004	Pitassi	..... D9/542
D496,284 S *	9/2004	Bain	..... D9/542
D498,146 S *	11/2004	Densky et al.	..... D9/571
D502,598 S *	3/2005	Chen	..... D3/273
D539,155 S *	3/2007	Steinmann	..... D9/530
D539,657 S *	4/2007	Webb et al.	..... D9/539
D541,159 S *	4/2007	Robinson	..... D9/516
D542,664 S *	5/2007	Mayers	..... D9/529
D545,201 S *	6/2007	Pitassi	..... D9/530 X

**FOREIGN PATENT DOCUMENTS**

WO	WO000027531	12/1993
WO	DM/064498	9/2003

\* cited by examiner

*Primary Examiner*—Carol Rademaker

(74) *Attorney, Agent, or Firm*—Connolly Bove Lodge & Hutz  
LLP; Paul E. Crawford

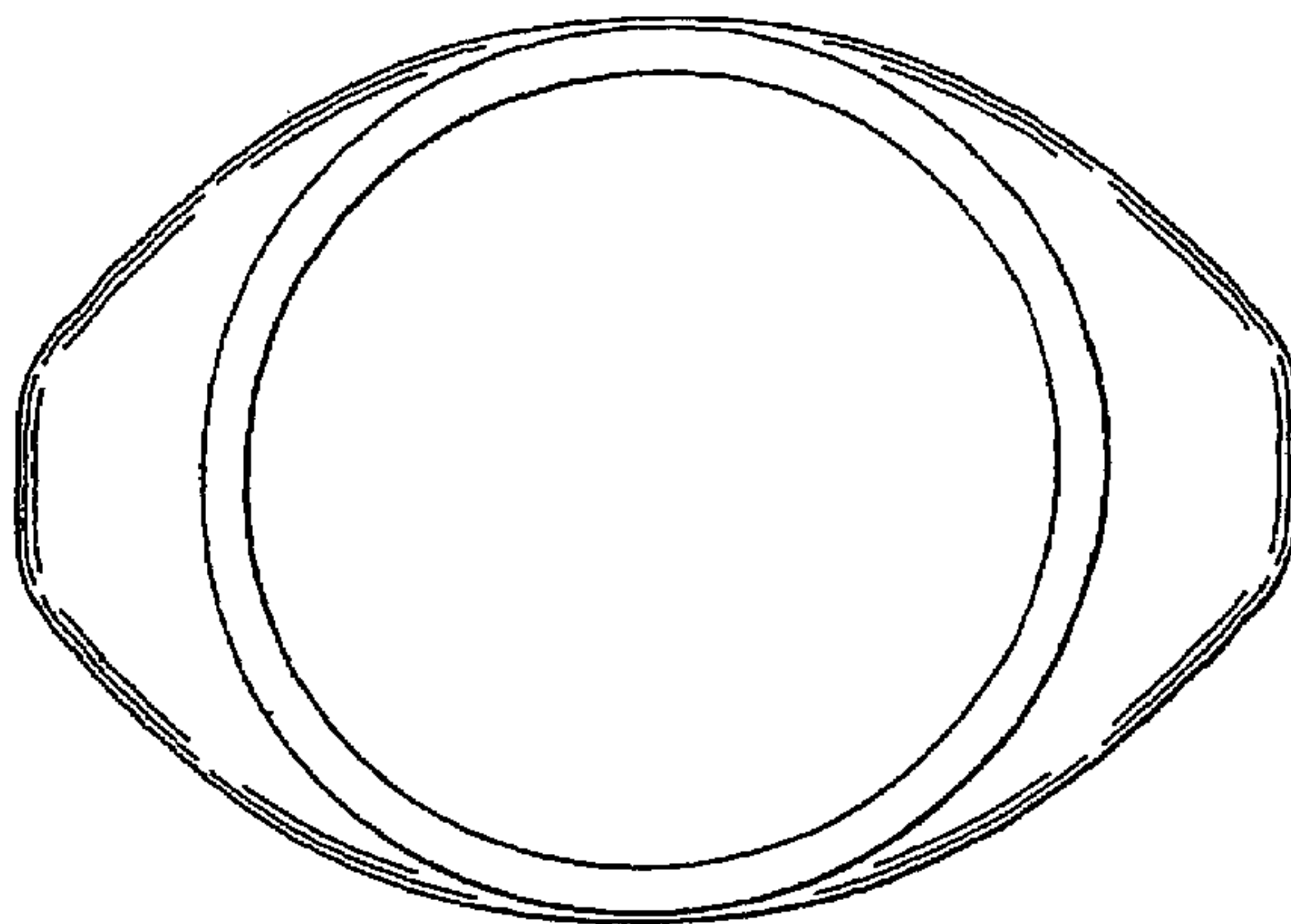
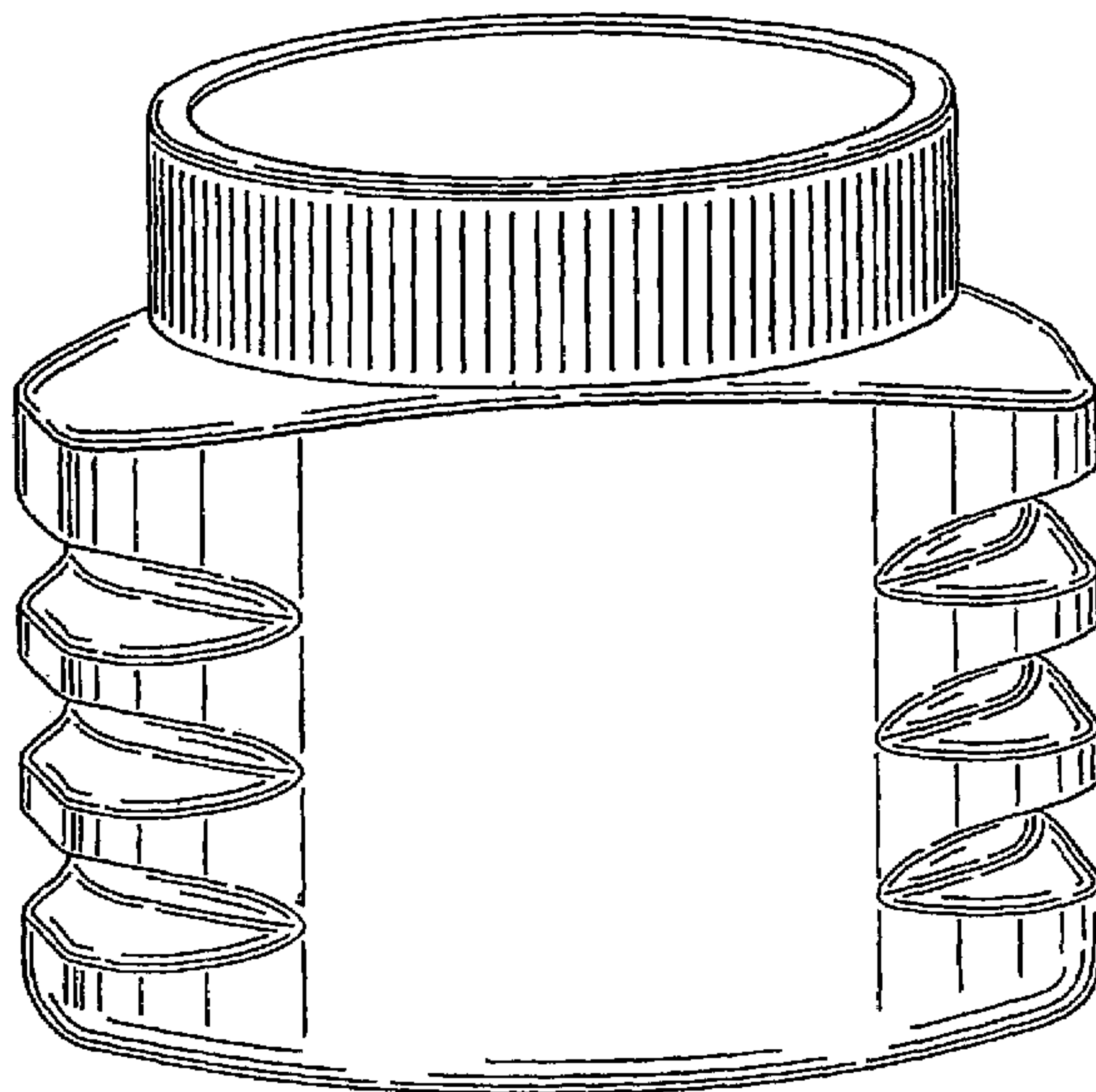
(57) **CLAIM**

The ornamental design for jar, as shown.

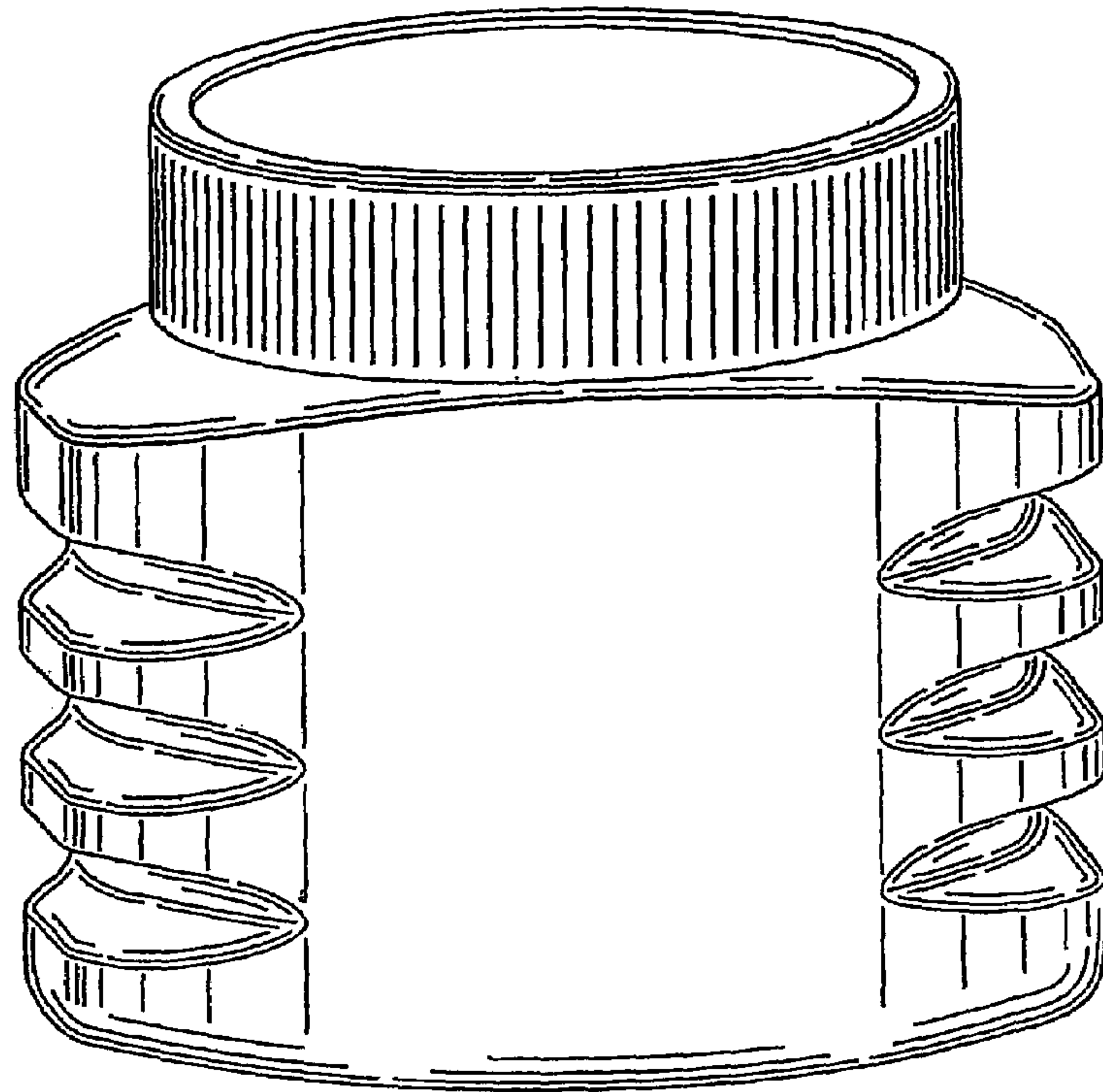
**DESCRIPTION**

FIG. 1 is a top, front, and left side perspective view of my jar;  
FIG. 2 is a front elevational view thereof;  
FIG. 3 is a rear elevational view thereof;  
FIG. 4 is a right side elevational view thereof;  
FIG. 5 is a left side elevational view thereof; and,  
FIG. 6 is a top plan view thereof.

**1 Claim, 3 Drawing Sheets**



**FIG. 1**



**FIG. 2**

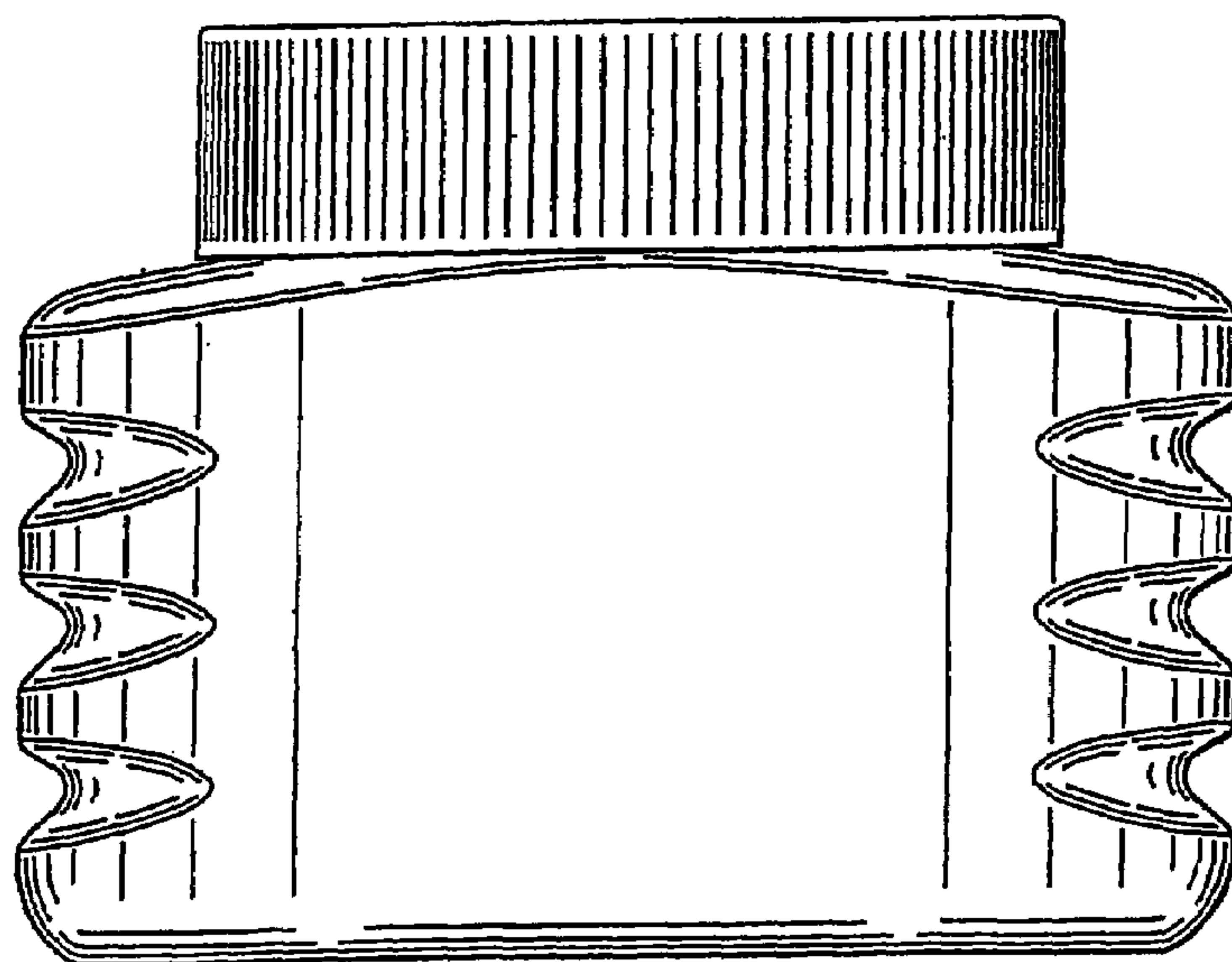


FIG. 3

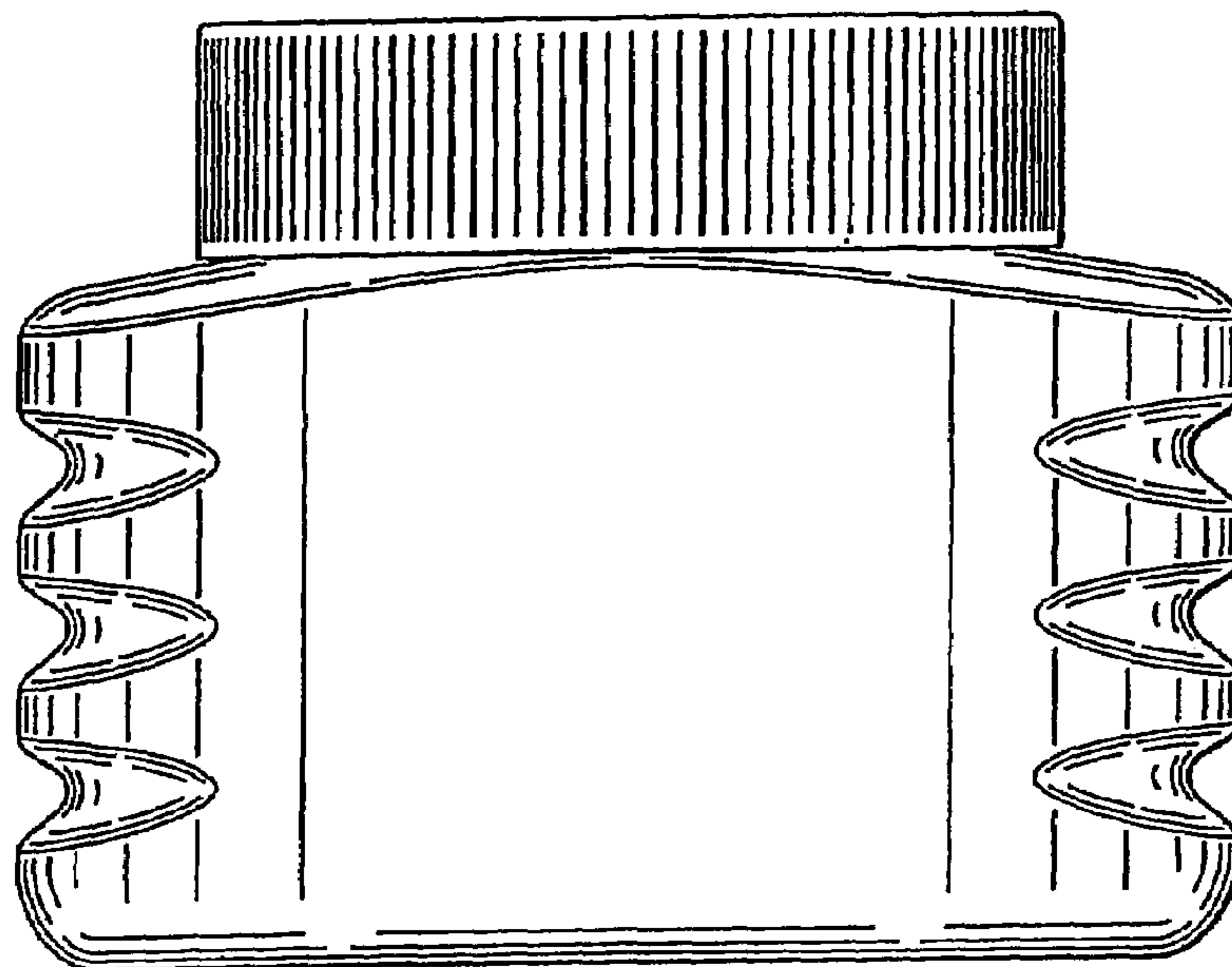
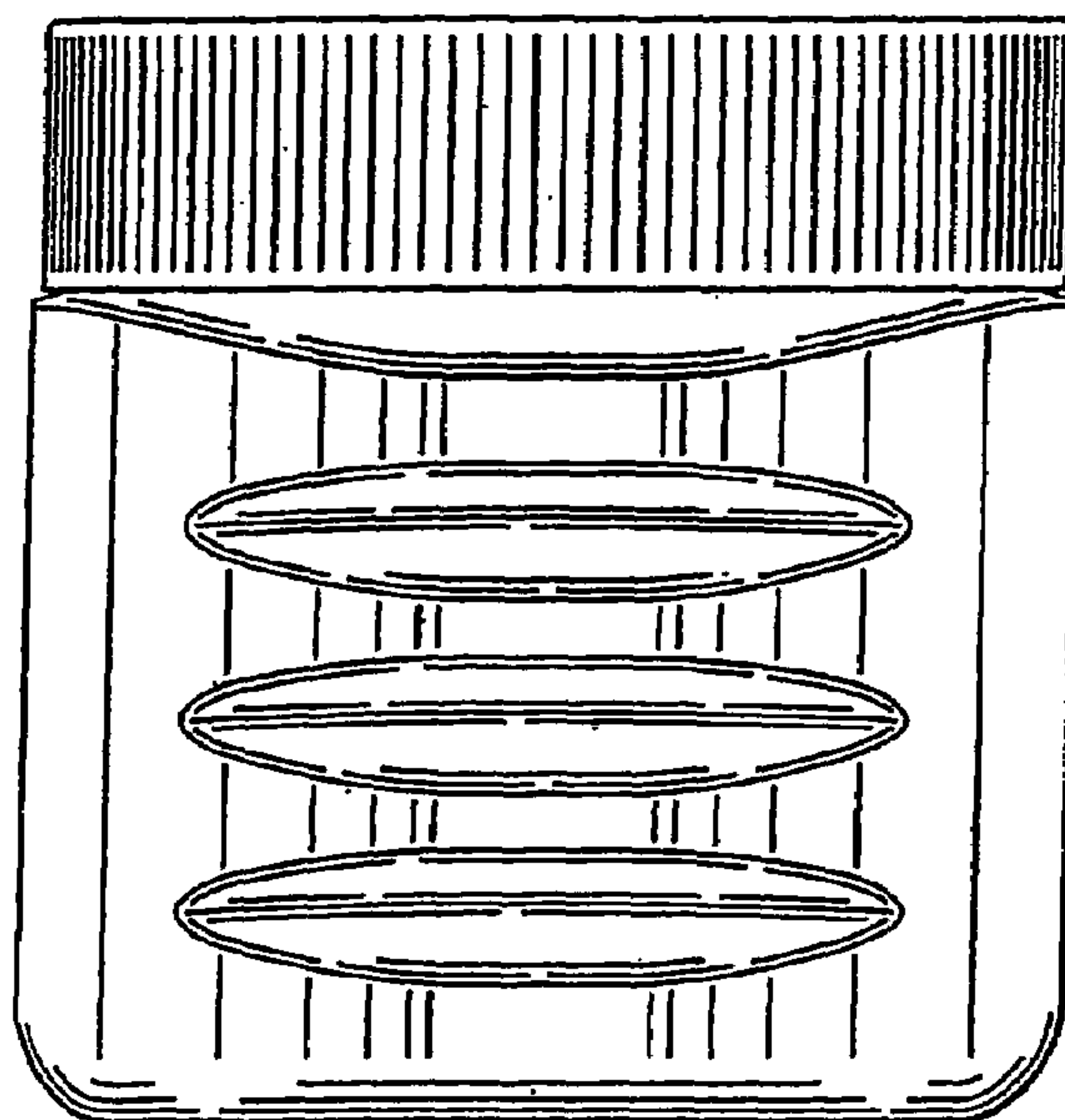
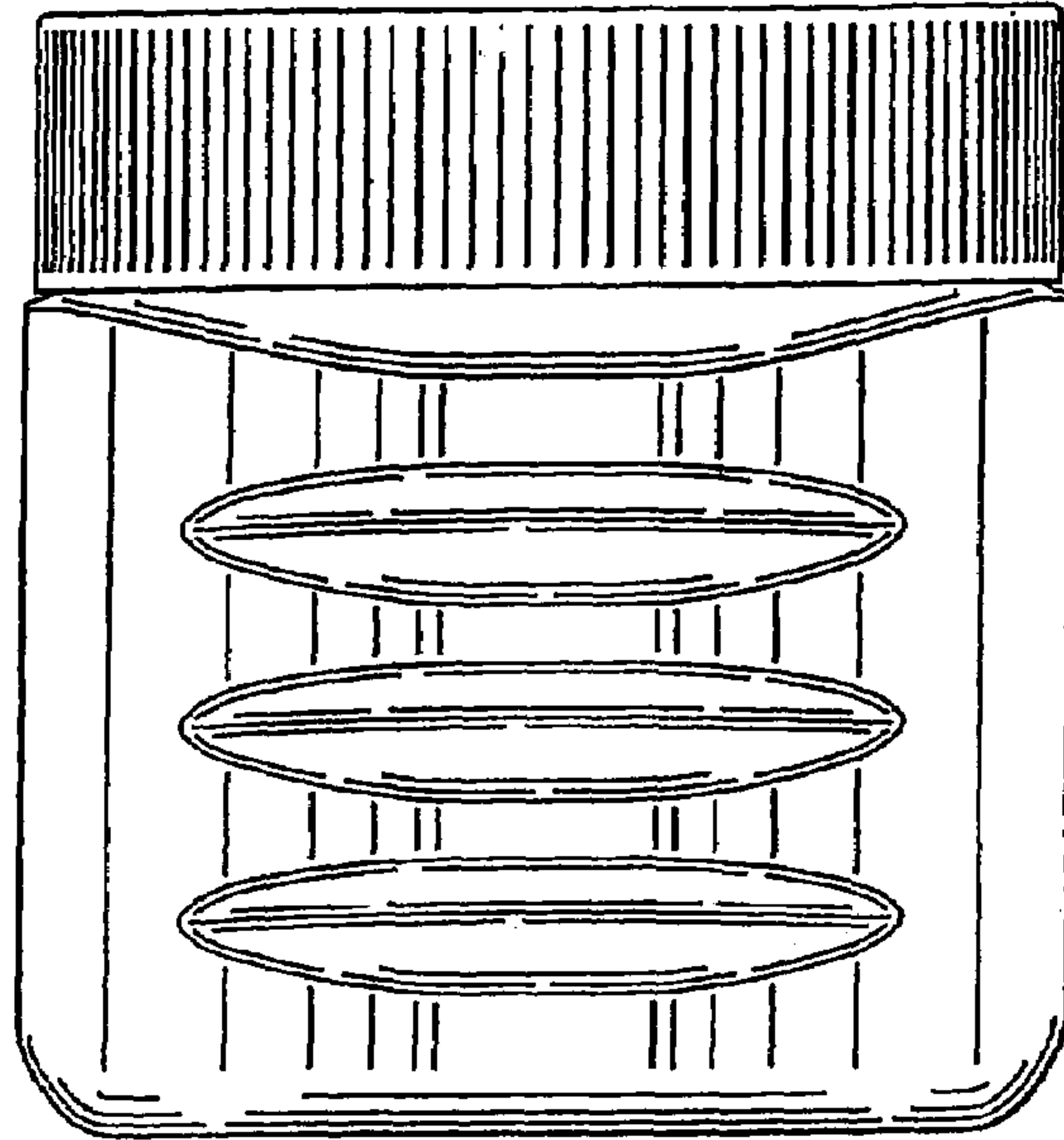


FIG. 4



**FIG. 5**



**FIG. 6**

