



US00D579777S

(12) **United States Design Patent**
Weggelaar

(10) **Patent No.:** **US D579,777 S**
(45) **Date of Patent:** **** Nov. 4, 2008**

(54) **BOTTLE**

(75) Inventor: **Bjorn Weggelaar**, Haarlem (NL)

(73) Assignee: **Sara Lee Household and Body Care**
Nederland B.V. (NL)

(**) Term: **14 Years**

(21) Appl. No.: **29/285,039**

(22) Filed: **Mar. 20, 2007**

(30) **Foreign Application Priority Data**

Sep. 26, 2006 (EM) 000594783-0001-02

(51) **LOC (8) Cl.** **09-01**

(52) **U.S. Cl.** **D9/522; D9/543; D9/575;**
D9/454

(58) **Field of Classification Search** D9/682,
D9/686-689, 693-694, 723-725, 727-729,
D9/763-764, 770, 516, 521-523, 526-530,
D9/537-545, 547-549, 551-552, 556, 558,
D9/561, 563-565, 569, 571-575, 452-454;
215/6, 10, 382-384; 222/210, 212-213;
D23/366-369

See application file for complete search history.

(56) **References Cited**

U.S. PATENT DOCUMENTS

D54,463 S	2/1920	Scott	
D118,381 S	1/1940	McIntosh	
D147,265 S *	8/1947	Gardiner	D9/522
D156,091 S *	11/1949	Gardiner	D9/522
D280,548 S	9/1985	Cramer	
D285,535 S *	9/1986	Buchholz et al.	D9/522
D355,605 S	2/1995	Kudo et al.	
D374,178 S *	10/1996	Valls et al.	D9/523
6,104,867 A *	8/2000	Stathakis et al.	392/403
D437,636 S *	2/2001	Basaganas	D23/366
D439,319 S	3/2001	Wolpert	
D452,732 S *	1/2002	Basaganas	D23/366
D453,110 S	1/2002	Bulsink	
D454,628 S	3/2002	Basaganas	

D461,885 S	8/2002	Jordi	
D476,727 S *	7/2003	Basaganas Millan	D23/366
D478,512 S	8/2003	Duston et al.	
D479,804 S	9/2003	Wolpert et al.	
D480,316 S	10/2003	Wolpert et al.	
D488,213 S *	4/2004	Millan	D23/366
D492,021 S	6/2004	Basaganas Millan	
6,766,773 B2 *	7/2004	Wolpert et al.	122/366
D498,146 S	11/2004	Densky et al.	
D503,621 S *	4/2005	Heater	D9/522
D505,330 S	5/2005	Wolpert	
D515,192 S	2/2006	Smith et al.	
D518,730 S	4/2006	Caserta et al.	
D536,980 S *	2/2007	Smith et al.	D9/522
D537,354 S *	2/2007	Caserta et al.	D9/543
D541,160 S *	4/2007	Cortes	D9/575 X
D542,138 S *	5/2007	Hainaut	D9/522
D542,662 S *	5/2007	Caserta et al.	D9/522
D556,582 S *	12/2007	Heijdenrijk	D9/454 X
D562,687 S *	2/2008	Kaufman	D9/522
D564,884 S *	3/2008	Rittman	D9/522
2003/0194355 A1	10/2003	Pedrotti et al.	

* cited by examiner

Primary Examiner—Carol Rademaker

(74) *Attorney, Agent, or Firm*—Foley & Lardner LLP

(57) **CLAIM**

I claim the ornamental design for a bottle, as shown.

DESCRIPTION

FIG. 1 is a top, front, and right side perspective view of a bottle comprising the present invention;

FIG. 2 is a top, rear, and left side perspective view thereof;

FIG. 3 is a front elevational view thereof;

FIG. 4 is a rear elevational view thereof;

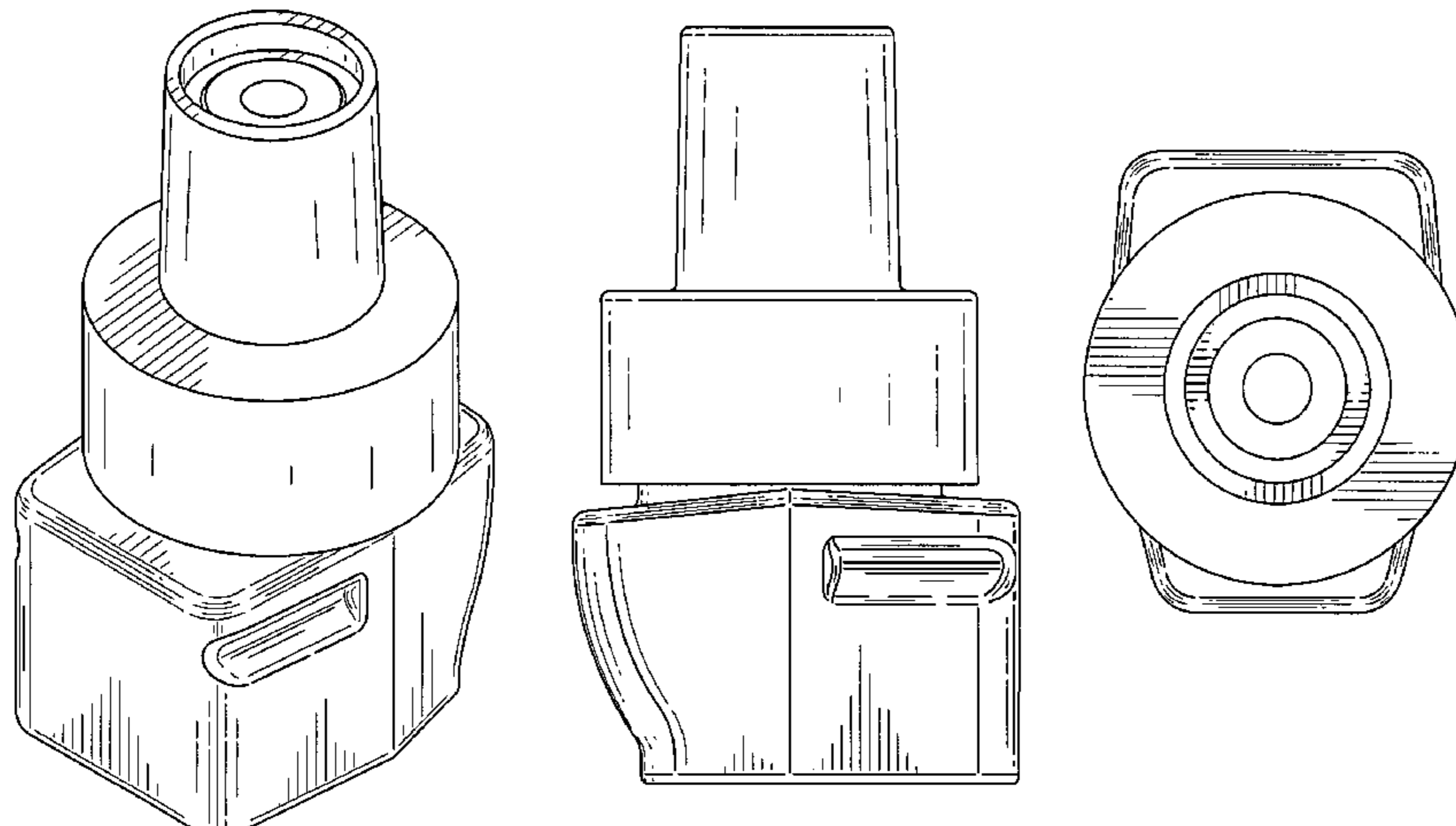
FIG. 5 is a left side elevational view thereof;

FIG. 6 is a right side elevational view thereof;

FIG. 7 is a top plan view thereof; and,

FIG. 8 is a bottom plan view thereof.

1 Claim, 8 Drawing Sheets



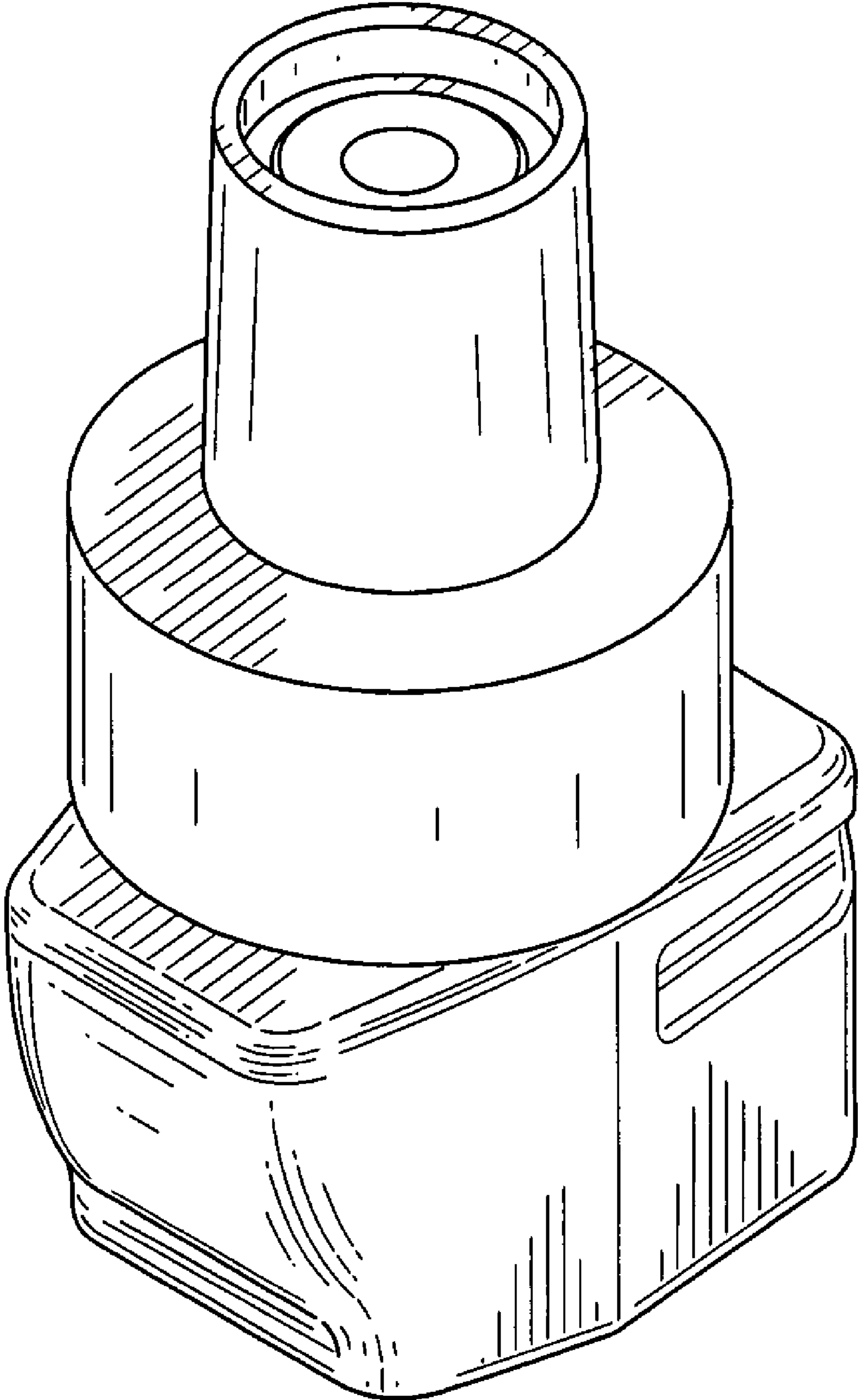


FIG. 1

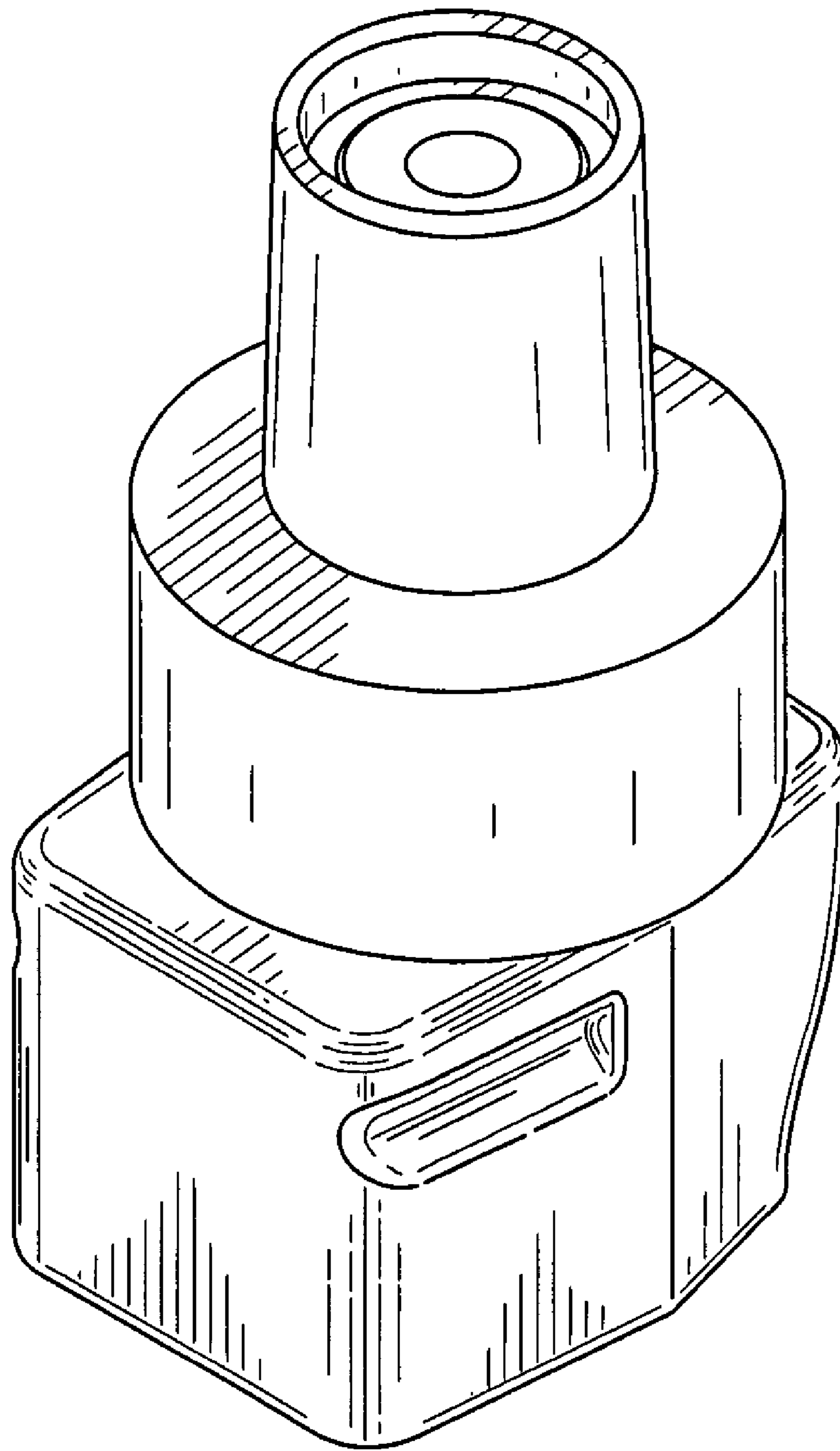


FIG. 2

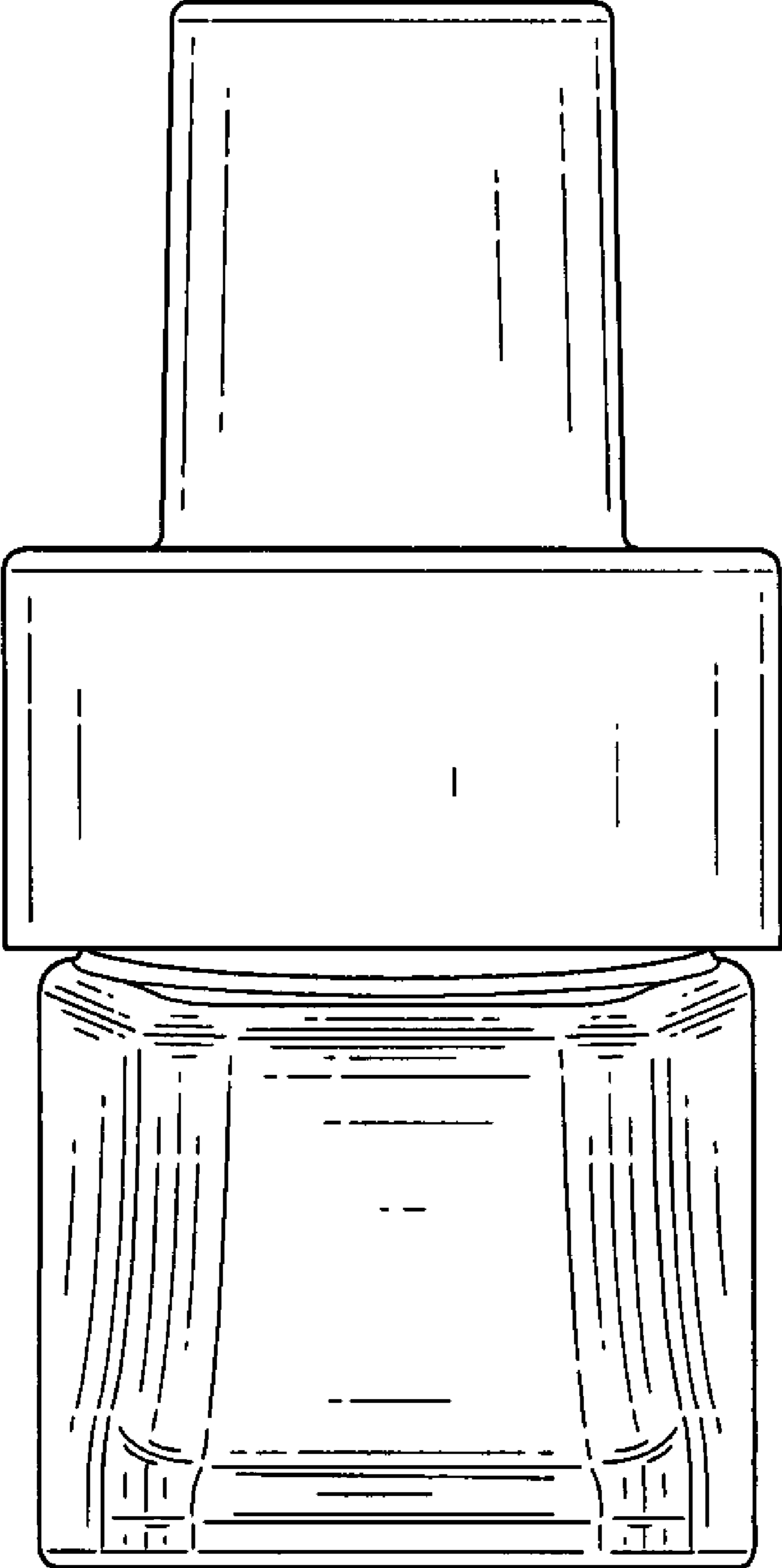


FIG. 3

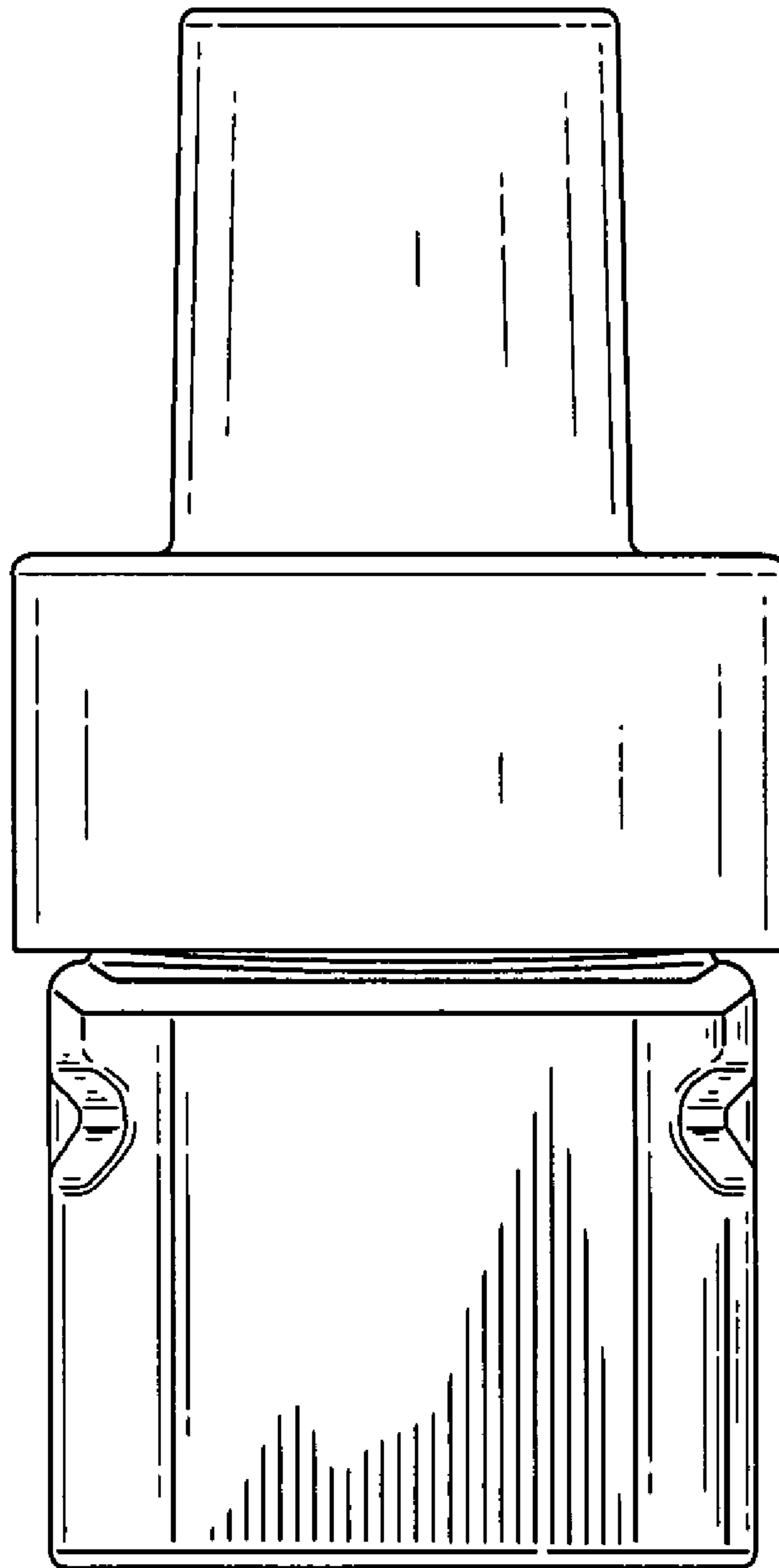


FIG. 4

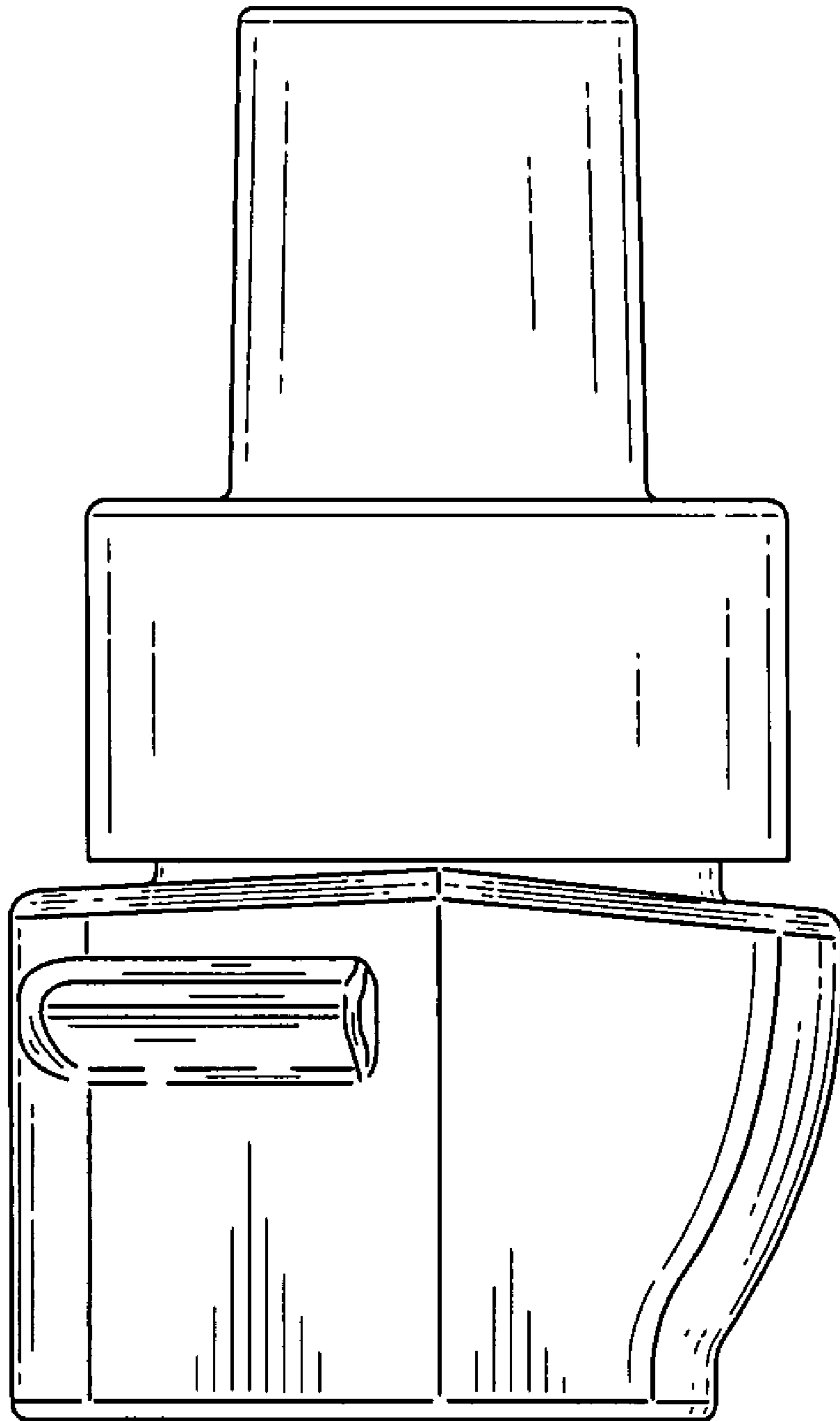


FIG. 5

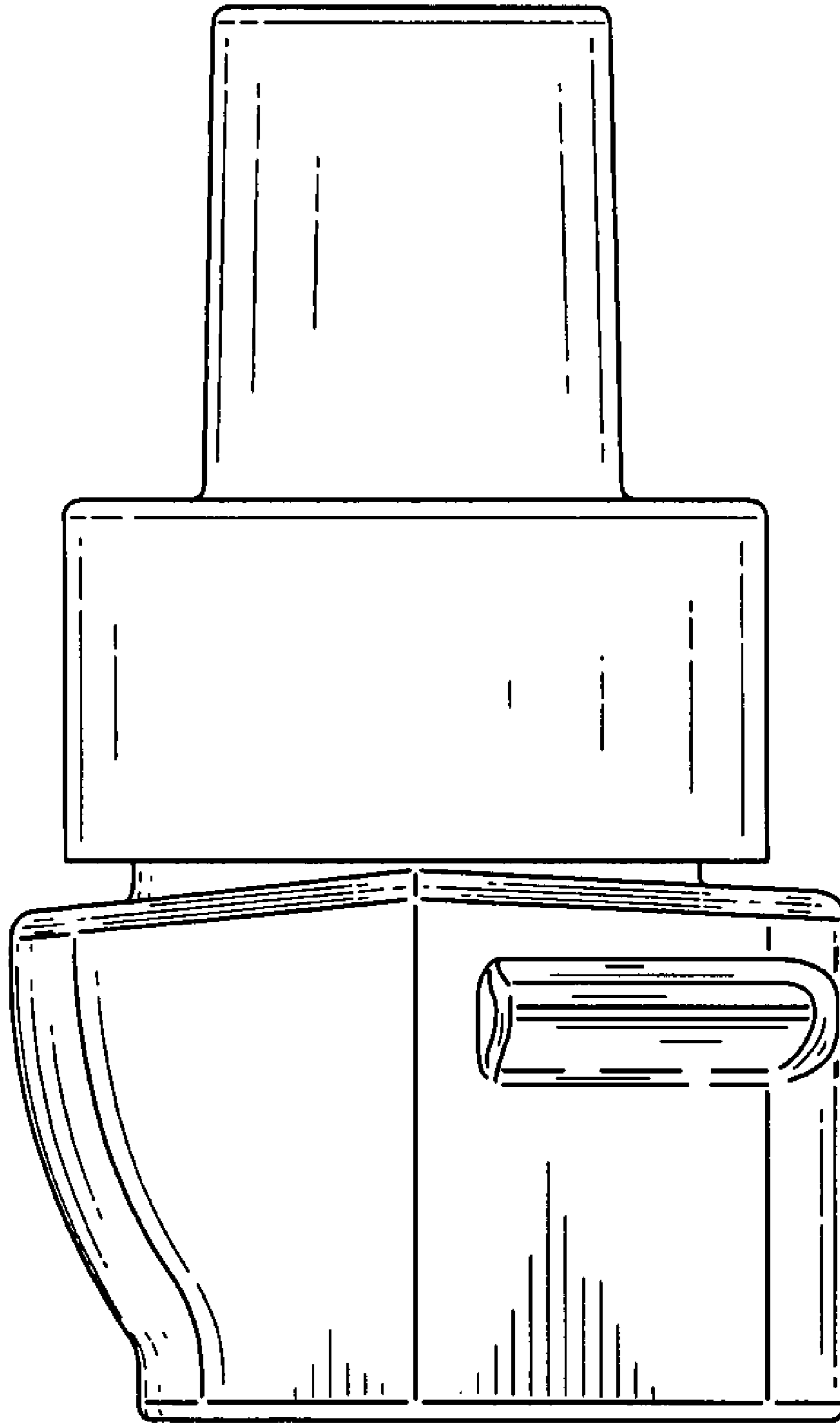


FIG. 6

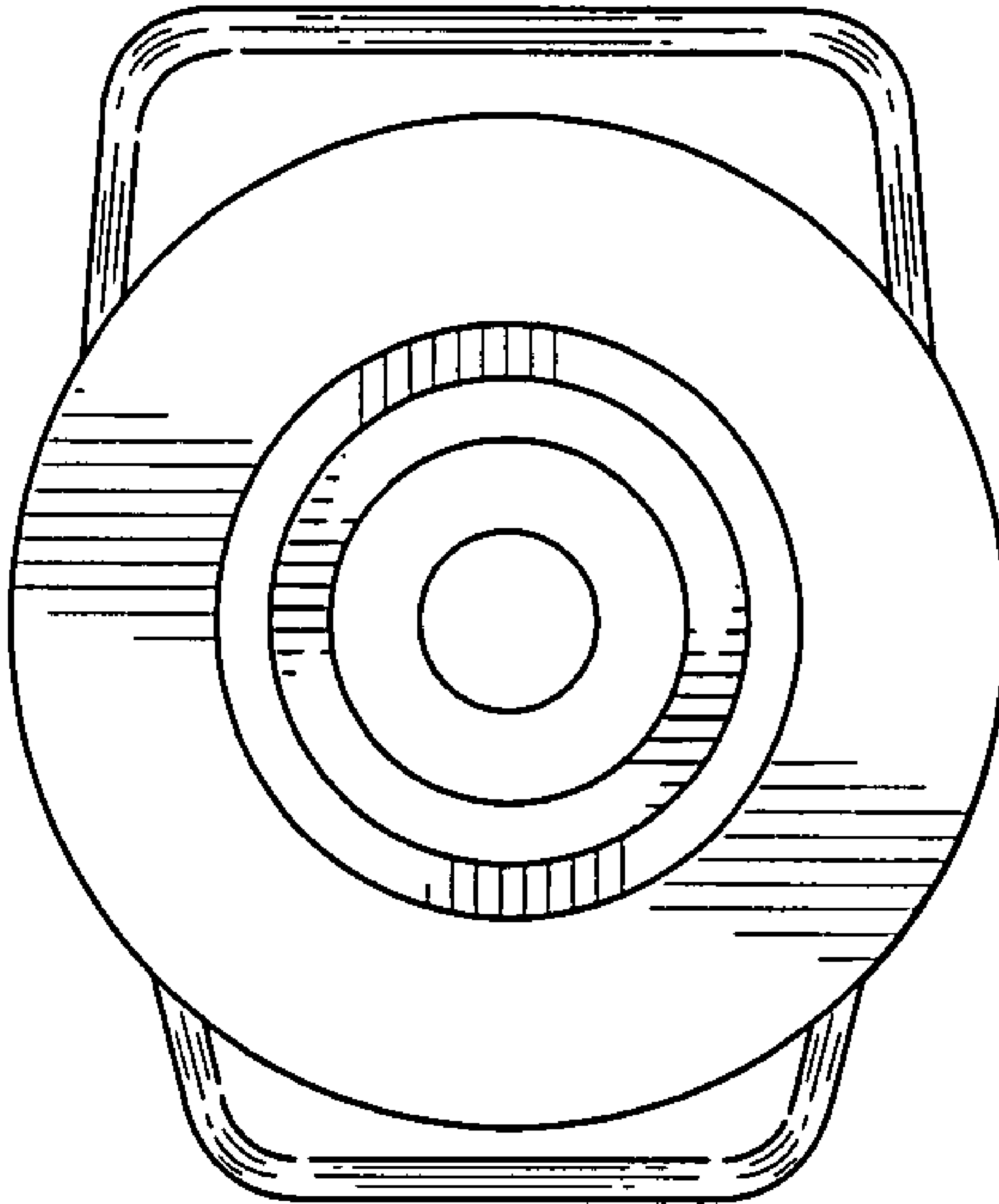


FIG. 7

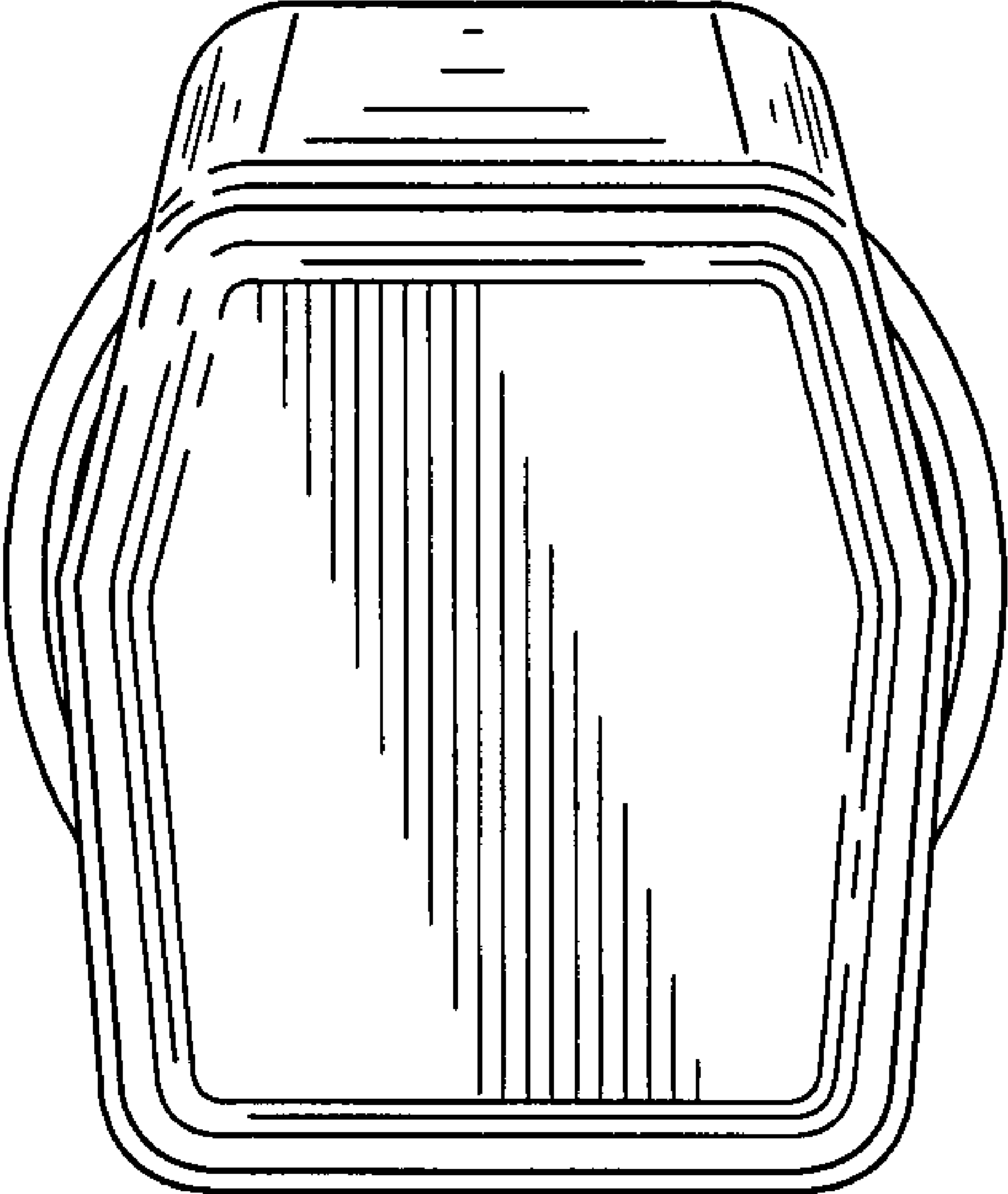


FIG. 8