



US00D579774S

(12) **United States Design Patent**
Clark

(10) **Patent No.:** **US D579,774 S**
(45) **Date of Patent:** **** Nov. 4, 2008**

(54) **SEALING CAP FOR A BOTTLE**
(75) Inventor: **Andrew MacDonald Clark**,
Clackmannanshire (GB)
(73) Assignee: **Diageo Brands N.V.**, Amsterdam (NL)
(**) Term: **14 Years**
(21) Appl. No.: **29/287,275**
(22) Filed: **Jul. 18, 2007**
(30) **Foreign Application Priority Data**
Jan. 18, 2007 (EM) 00654413-0001

3,447,709 A 6/1969 Marasco
3,455,479 A 7/1969 Hadley et al.
3,465,907 A 9/1969 Dorn et al.
3,589,544 A 6/1971 Hannon
3,692,200 A 9/1972 Ritzenhoff
3,910,443 A 10/1975 Hadley
3,940,005 A 2/1976 Granat
4,000,824 A 1/1977 Han
D259,179 S 5/1981 Welch
D283,598 S 4/1986 Hériard-Dubreuil
4,702,384 A * 10/1987 Weiser 215/295
5,445,284 A 8/1995 Guest
D407,632 S 4/1999 Kunesh
6,729,488 B2 * 5/2004 McNary et al. 215/252
D518,716 S * 4/2006 Mallet D9/449

(51) **LOC (8) Cl.** **09-07**
(52) **U.S. Cl.** **D9/453; D9/454; D9/443**
(58) **Field of Classification Search** D9/454,
D9/453, 452, 451, 447, 443, 441, 438, 435,
D9/44, 4; D7/396.4, 391; D23/250; 215/329,
215/305, 295, 256, 252, 246
See application file for complete search history.

FOREIGN PATENT DOCUMENTS

WO WO 91/15407 10/1991

* cited by examiner

Primary Examiner—Gary D. Watson
Assistant Examiner—Susan B Hattan
(74) *Attorney, Agent, or Firm*—Morgan, Lewis & Bockius
LLP

(56) **References Cited**
U.S. PATENT DOCUMENTS

D19,854 S 5/1890 Fisher
2,041,912 A * 5/1936 Fabrice 215/256
2,061,067 A * 11/1936 Fabrice 215/256
2,131,969 A * 10/1938 Podel 215/323
D112,513 S 12/1938 Carvalho
2,915,211 A * 12/1959 Ryan 215/252
2,954,139 A 9/1960 Owens
2,994,449 A 8/1961 Ritzenhoff
3,001,657 A 9/1961 Gamble
3,109,547 A 11/1963 Wood
3,109,548 A 11/1963 Wood
3,348,718 A 10/1967 Musy
3,428,202 A 2/1969 Asmus et al.

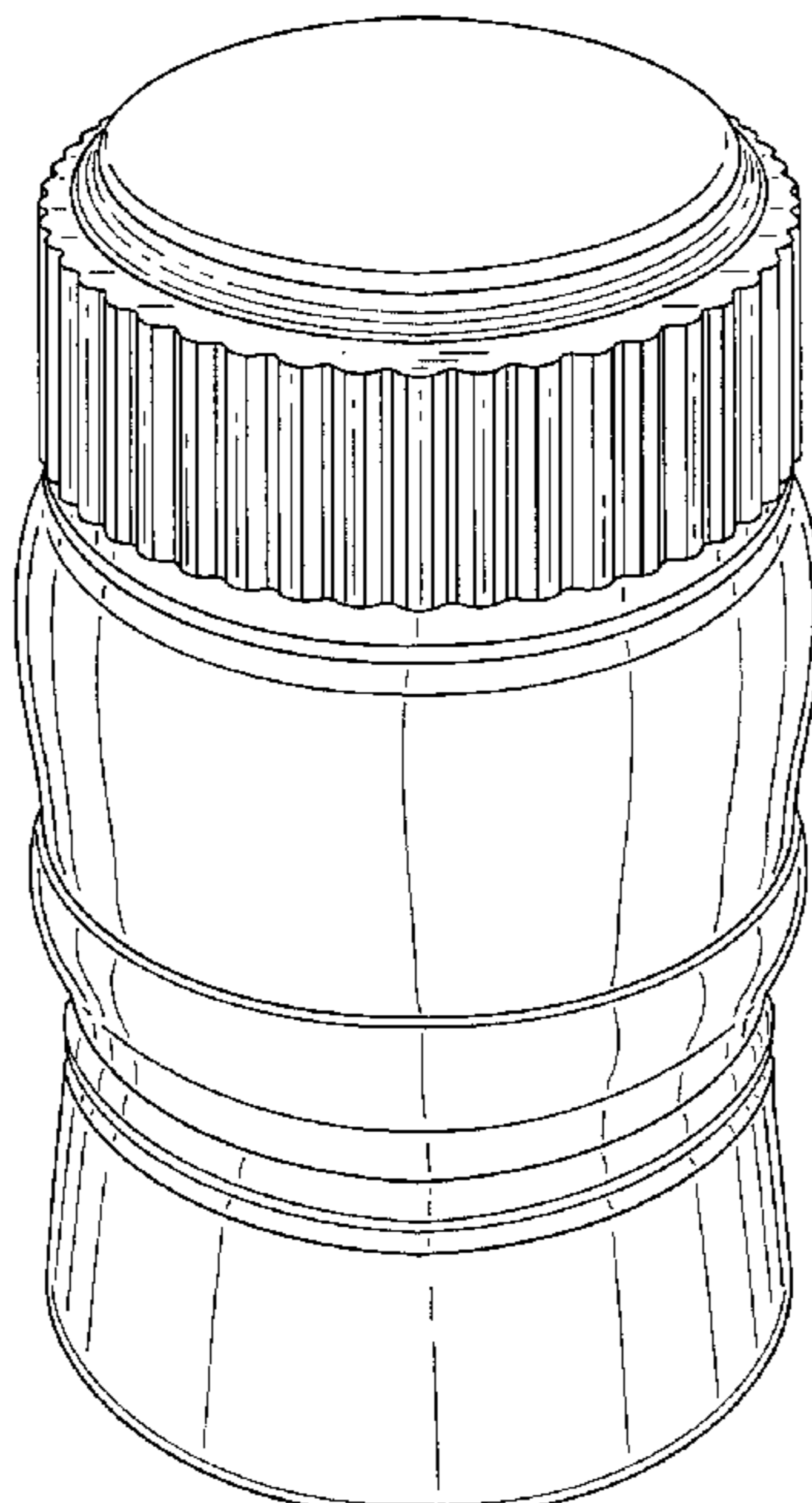
(57) **CLAIM**

The ornamental design for a sealing cap for a bottle, as shown and described.

DESCRIPTION

FIG. 1 is a perspective view of a sealing cap for a bottle according to my/our new design.
FIG. 2 is a top plan view of the design shown in FIG. 1.
FIG. 3 is a bottom plan view of the design shown in FIG. 1; and,
FIG. 4 is a side plan view of the design shown in FIG. 1.

1 Claim, 3 Drawing Sheets



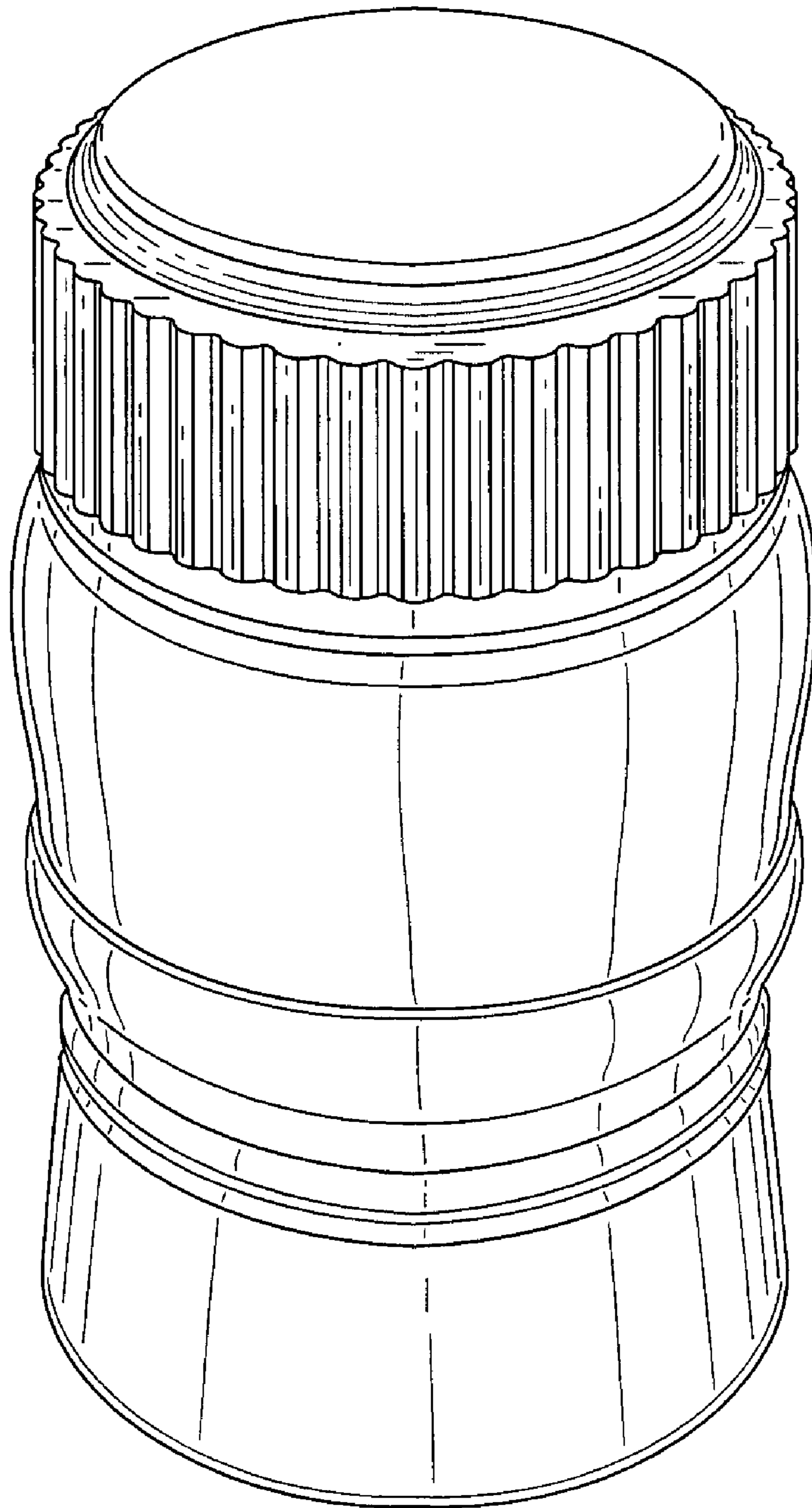


FIG. 1

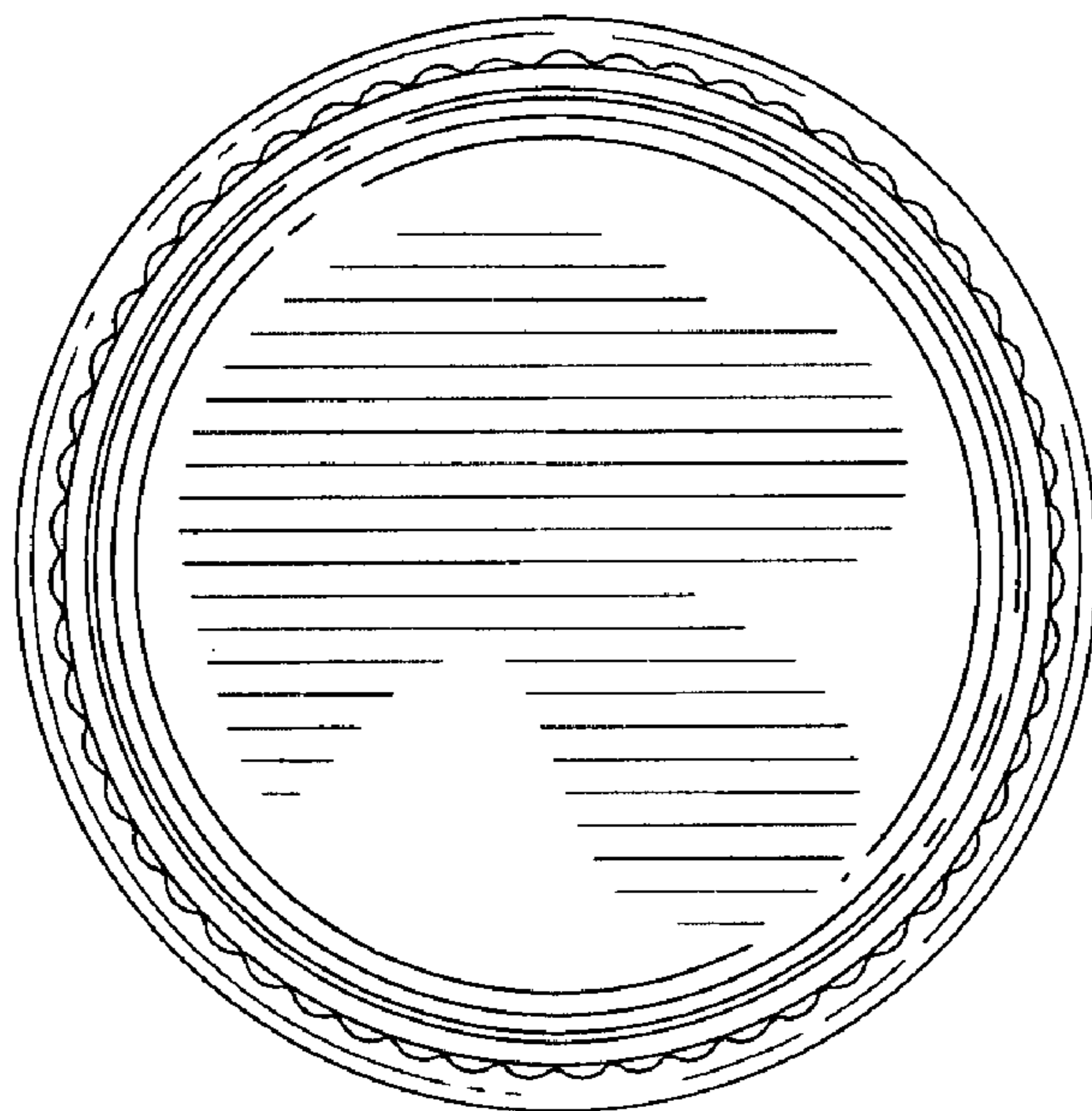


FIG. 2

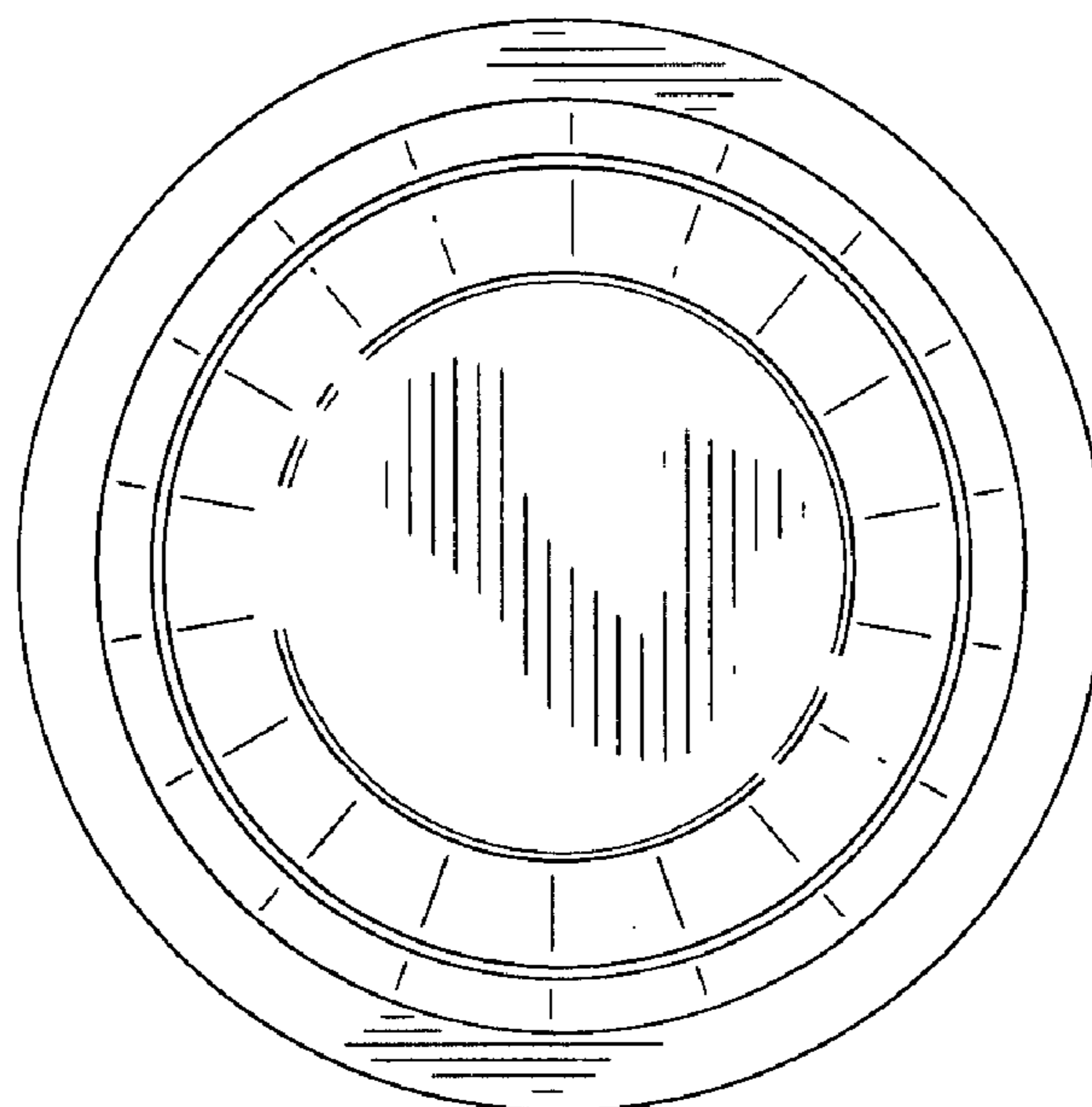


FIG. 3

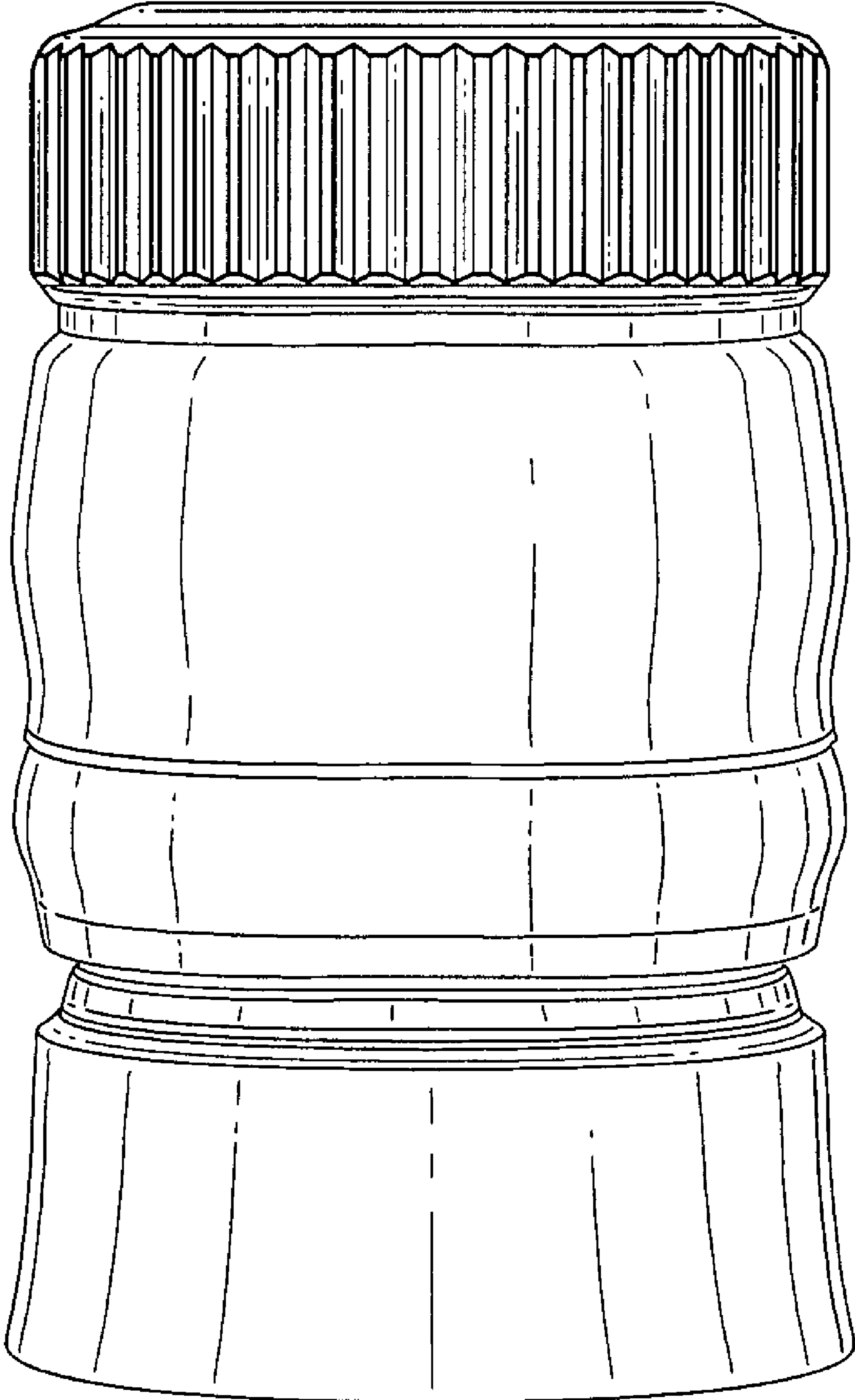


FIG. 4