



US00D579771S

(12) **United States Design Patent**
Cherian

(10) **Patent No.:** **US D579,771 S**

(45) **Date of Patent:** **** Nov. 4, 2008**

(54) **LID WITH PULL TAB**

(76) **Inventor:** **Gabe Cherian**, P.O. Box 1335, Sun Valley, ID (US) 83353

(**) **Term:** **14 Years**

(21) **Appl. No.:** **29/286,717**

(22) **Filed:** **May 16, 2007**

Related U.S. Application Data

(63) Continuation of application No. 10/941,797, filed on Sep. 14, 2004.

(51) **LOC (8) Cl.** **09-07**

(52) **U.S. Cl.** **D9/438; D9/454**

(58) **Field of Classification Search** D9/780,
D9/763, 438, 434, 435; 220/906, 273, 269
See application file for complete search history.

(56) **References Cited**

U.S. PATENT DOCUMENTS

D296,989	S	*	8/1988	Juty	D9/438
D382,481	S	*	8/1997	McEldowney	D9/438
D385,192	S	*	10/1997	Hurst et al.	D9/438
D396,635	S	*	8/1998	McEldowney	D9/438
D397,296	S	*	8/1998	McEldowney et al.	D9/438
D402,887	S	*	12/1998	Hurst	D9/438
D411,107	S	*	6/1999	Turner et al.	D9/438
D415,026	S	*	10/1999	Turner et al.	D9/438
D415,425	S	*	10/1999	Turner et al.	D9/438
D424,438	S	*	5/2000	Turner et al.	D9/438

D448,666	S	*	10/2001	Fields	D9/438
6,889,861	B2	*	5/2005	Arcati et al.	220/269
7,000,797	B2	*	2/2006	Forrest et al.	220/269
7,168,586	B2	*	1/2007	Jeon	220/269
7,198,168	B2	*	4/2007	Mizuma	220/269
2002/0113069	A1	*	8/2002	Forrest et al.	220/269
2005/0098561	A1	*	5/2005	Schwoebel	220/906
2005/0115969	A1	*	6/2005	Mizuma	220/269
2006/0060582	A1	*	3/2006	Martinez Gomez	220/269
2007/0029324	A1	*	2/2007	Watson et al.	220/269

* cited by examiner

Primary Examiner—Gary D. Watson

Assistant Examiner—Susan B Hattan

(57) **CLAIM**

The ornamental design for a lid with pull tab, as shown and described.

DESCRIPTION

FIG. 1 is a front elevational view of a lid with pull tab showing my new design, the opposite side being a mirror image thereof;

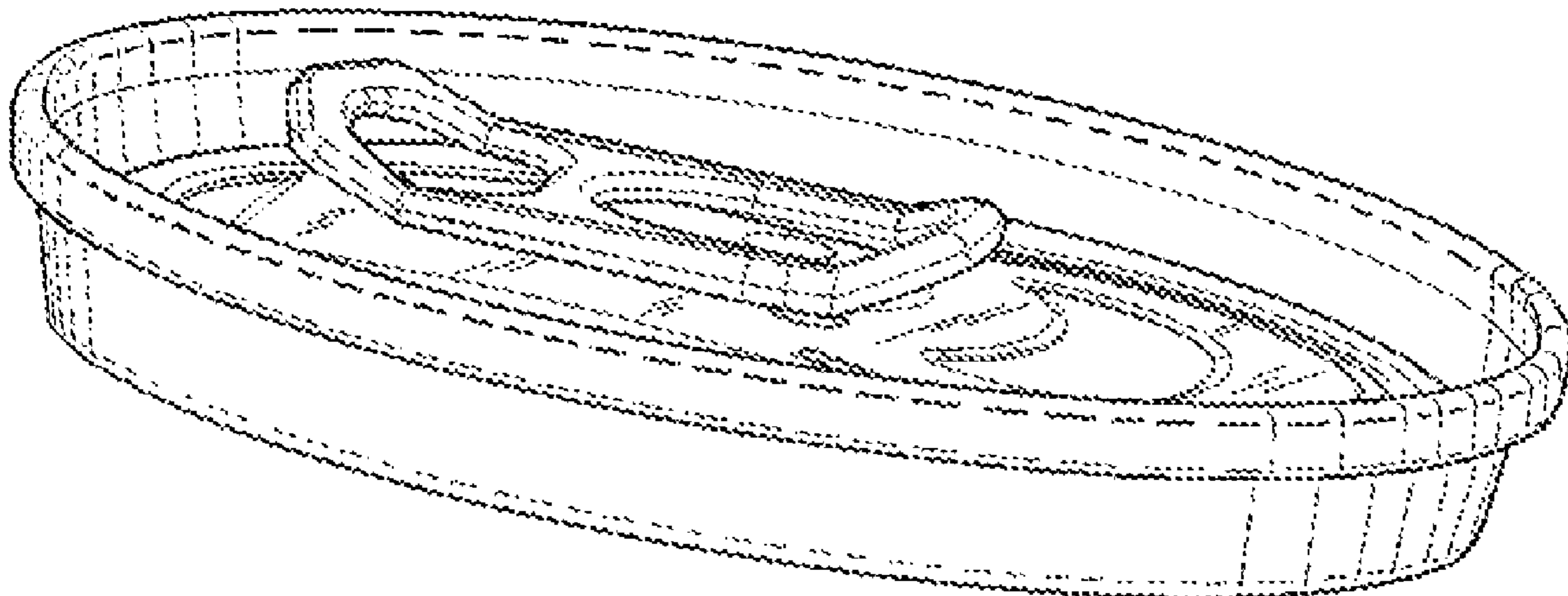
FIG. 2 is a top plan view thereof;

FIG. 3 is a right side elevational view thereof, looking at the punch end of the lid with pull tab;

FIG. 4 is a left side elevational view thereof, looking at the lifter end of the lid with pull tab; and,

FIG. 5 is a three dimensional view of the lid with pull tab.

1 Claim, 5 Drawing Sheets



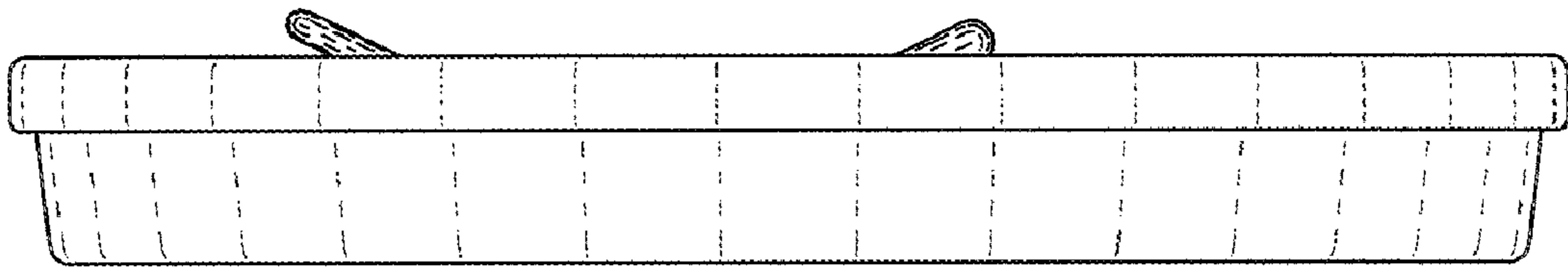


FIG. 1

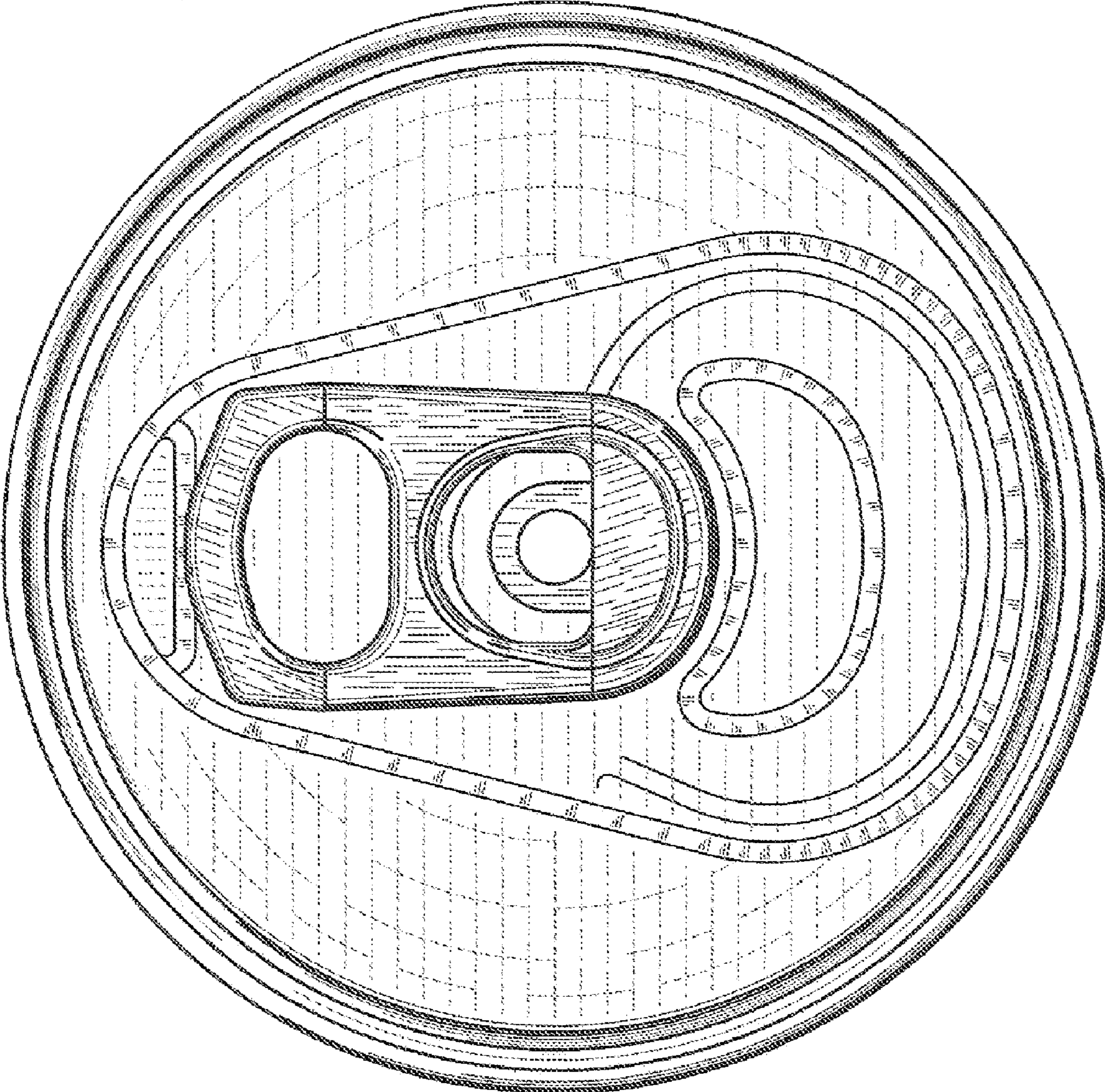


FIG. 2

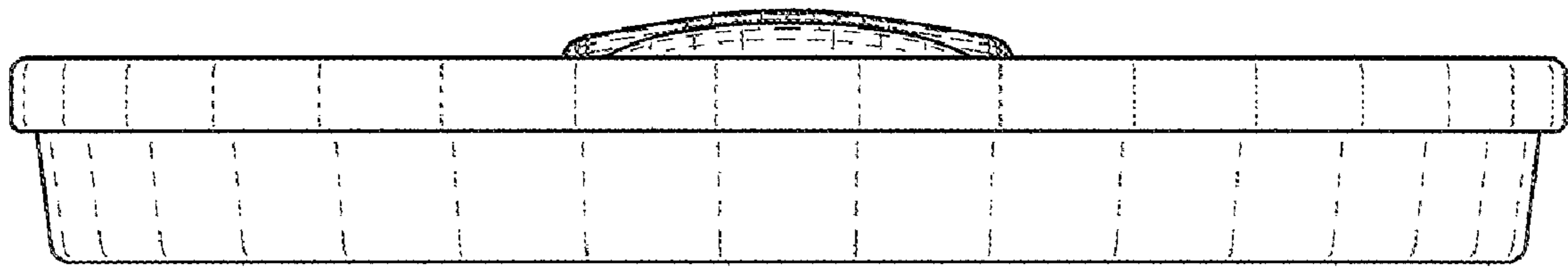


FIG. 3

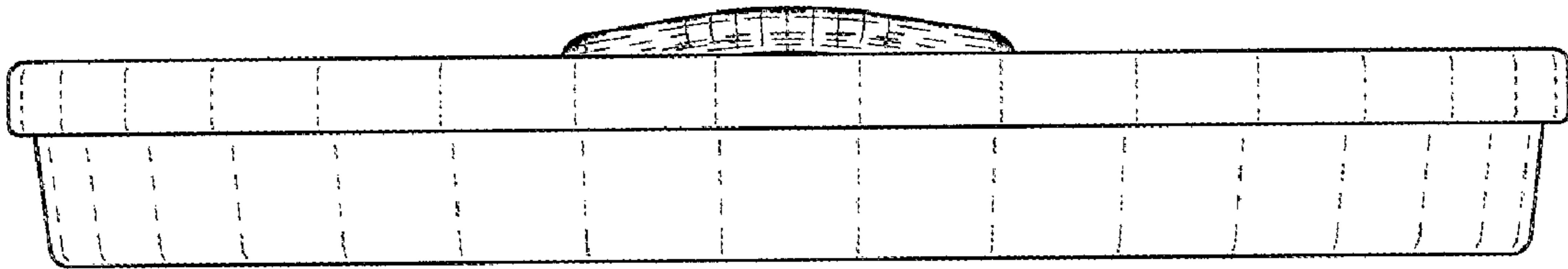


FIG. 4

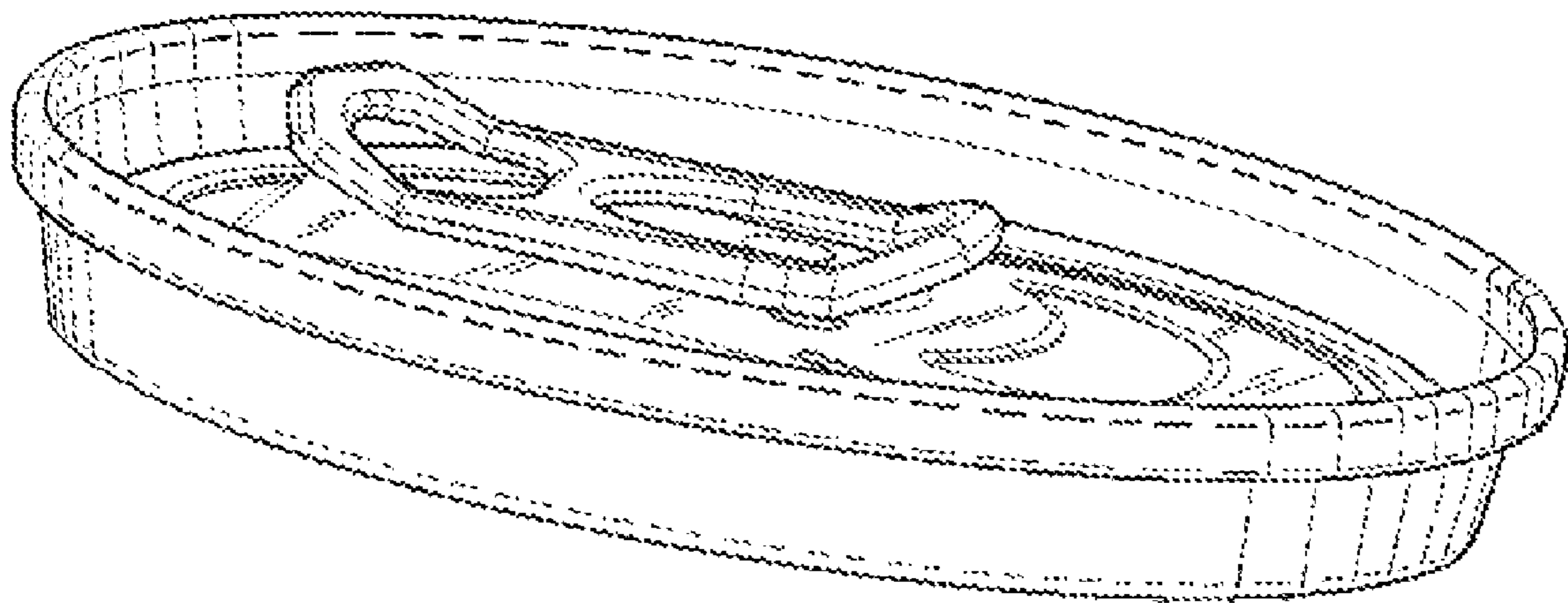


FIG. 5