



US00D579770S

(12) **United States Design Patent**
Pedersen et al.

(10) **Patent No.:** **US D579,770 S**
(45) **Date of Patent:** **** Nov. 4, 2008**

(54) **CONTAINER FOR THE TRANSPORT AND HANDLING OF GOODS**

(75) Inventors: **Michael Lindholm Pedersen**, Børkop (DK); **Brian Warming**, Middelfart (DK)

(73) Assignee: **Fyens/AEskefabrik ApS**, Middelfart (DK)

(**) Term: **14 Years**

(21) Appl. No.: **29/294,351**

(22) Filed: **Jan. 7, 2008**

(30) **Foreign Application Priority Data**

Oct. 11, 2007 (EM) 000806450-0001
Oct. 11, 2007 (EM) 000806450-0002

(51) **LOC (8) Cl.** **09-03**

(52) **U.S. Cl.** **D9/433; D9/431**

(58) **Field of Classification Search** D9/430-433, D9/414-418, 420-429, 560, 737, 756, 443; D3/273, 302; 206/421, 454, 457, 775-778, 206/784, 822; 220/500, 523-529, 552, 555; 229/100, 103.3, 104-106, 108, 108.1, 109, 229/110, 111, 112, 117.09, 117.12, 117.15, 229/120, 125.015, 160.1, 162.1, 182.1, 215, 229/247, 406, 407, 902, 920, 922, 930, 942, 229/4.5; 40/306; 47/73, 74

See application file for complete search history.

(56) **References Cited**

U.S. PATENT DOCUMENTS

1,886,690 A * 11/1932 Janssen 47/73
2,002,493 A * 5/1935 Einson 229/102.5
2,054,473 A * 9/1936 Towell 229/102.5
2,086,613 A * 7/1937 Graham 217/3 FC
2,139,239 A * 12/1938 Mancuso 229/104
2,140,932 A * 12/1938 Avery 47/74
2,385,898 A * 10/1945 Waters 229/117.03

2,656,969 A * 10/1953 Kvasnok et al. 229/4.5
2,758,419 A * 8/1956 Schmitz 47/73
2,903,180 A * 9/1959 Holmes 229/212
2,949,699 A * 8/1960 Lapetina et al. 47/74
3,333,515 A * 8/1967 McGlynn 493/379
3,485,354 A * 12/1969 Bader 206/338
3,733,021 A * 5/1973 Levin 229/404
D242,901 S * 1/1977 Lohrbach D9/432
4,678,079 A * 7/1987 Henning 206/279
5,392,984 A * 2/1995 Yocum 229/117.15
D367,816 S * 3/1996 Cai D9/431
5,746,372 A * 5/1998 Spence 229/403
7,263,790 B2 * 9/2007 Richards 40/306
2007/0145108 A1 * 6/2007 Dixel et al. 229/403

* cited by examiner

Primary Examiner—T. Chase Nelson

Assistant Examiner—Karen Acker

(74) *Attorney, Agent, or Firm*—K&L Gates LLP

(57) **CLAIM**

The ornamental design for a container for the transport and handling of goods, as shown and described.

DESCRIPTION

FIG. 1 is a perspective view of one flattened portion of a container for the transport and handling of goods prior to assembly showing one of the two portions forming the container for the transport and handling of goods when assembled.

FIG. 2 is a front elevational view of the portion of a container for the transport and handling of goods seen in FIG. 1.

FIG. 3 is a perspective view of a container for the transport and handling of goods in its assembled condition.

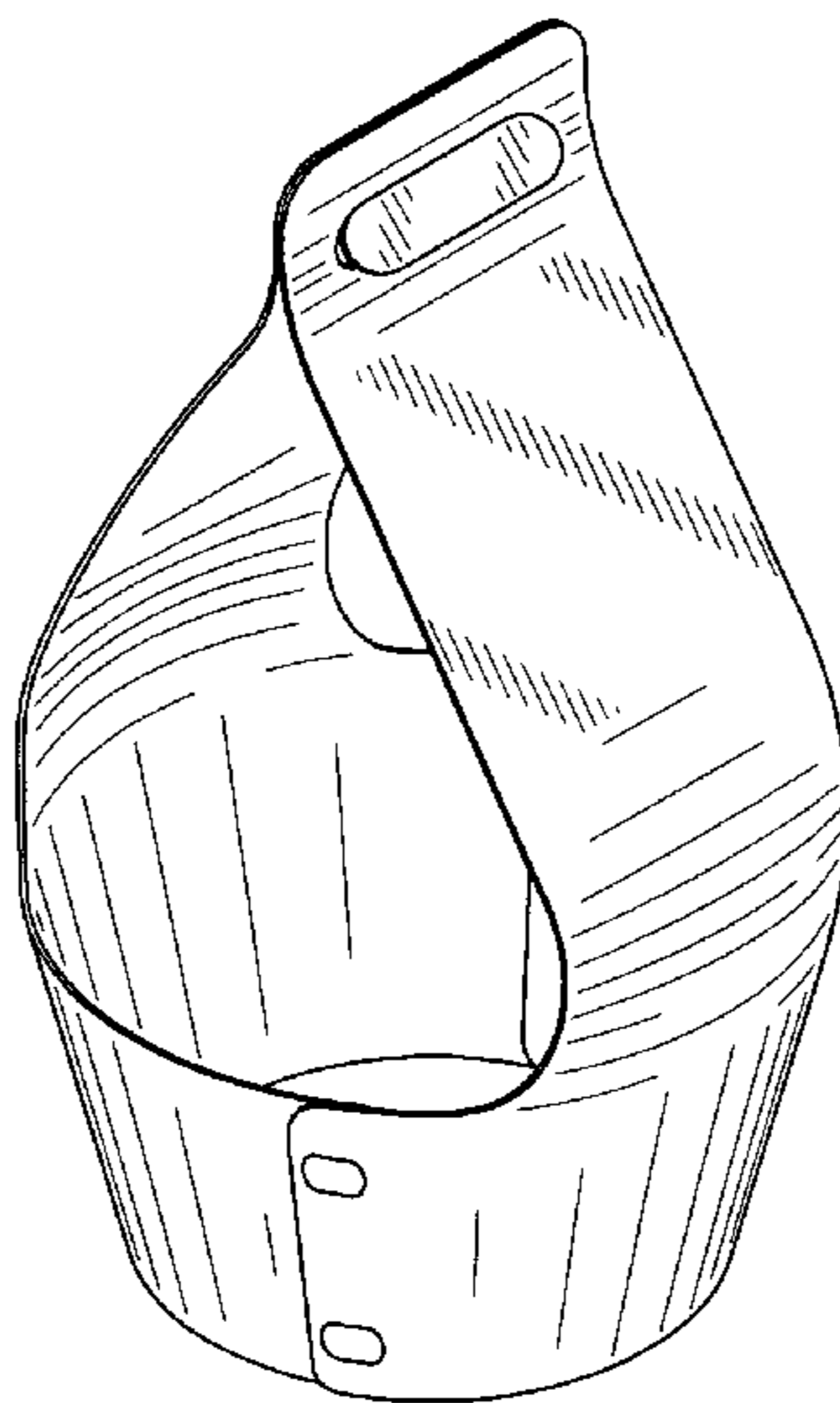
FIG. 4 is a side elevational view thereof.

FIG. 5 is a front elevational view thereof.

FIG. 6 is a bottom view thereof; and,

FIG. 7 is a top view thereof.

1 Claim, 6 Drawing Sheets



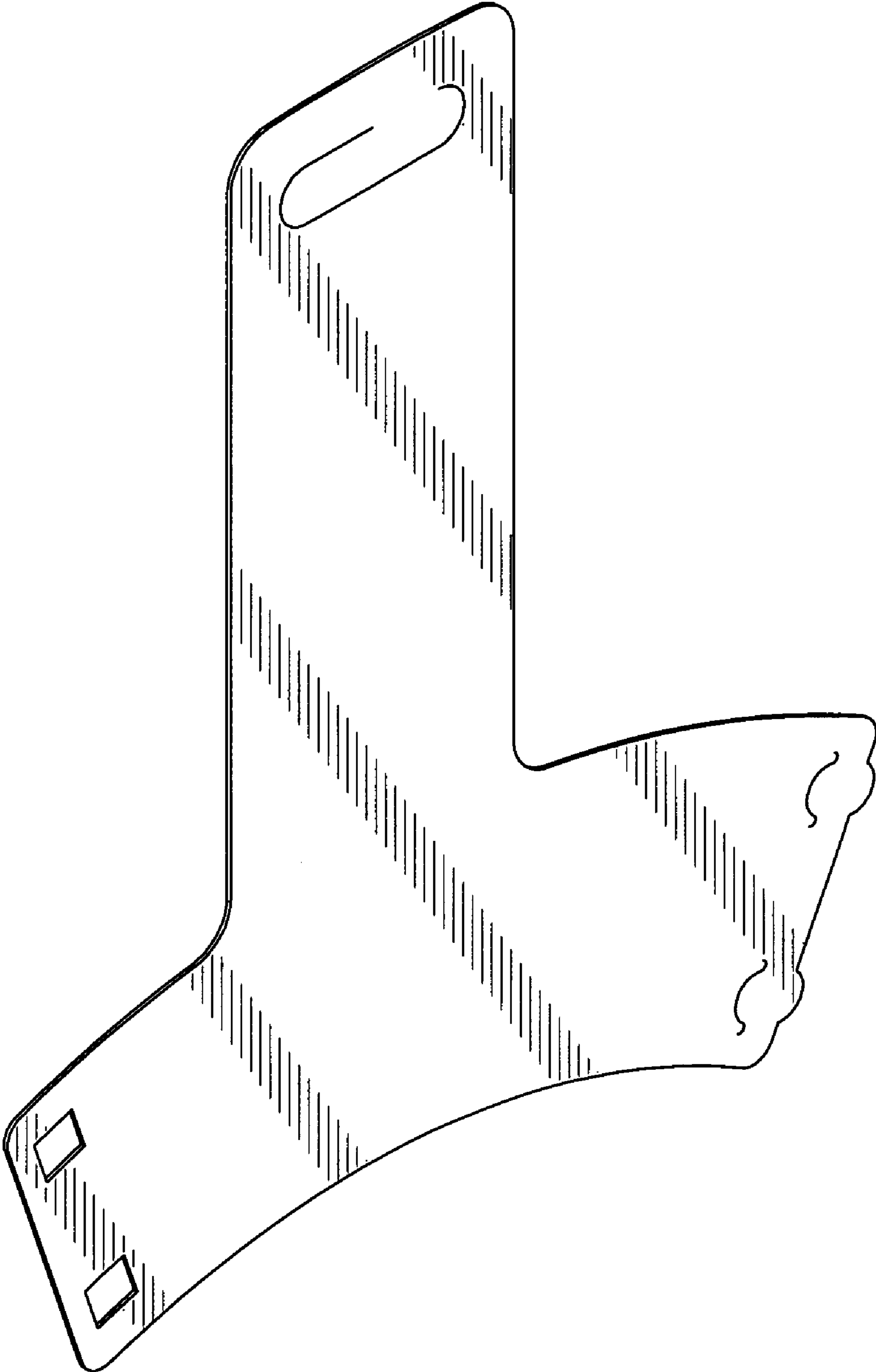


FIG. 1

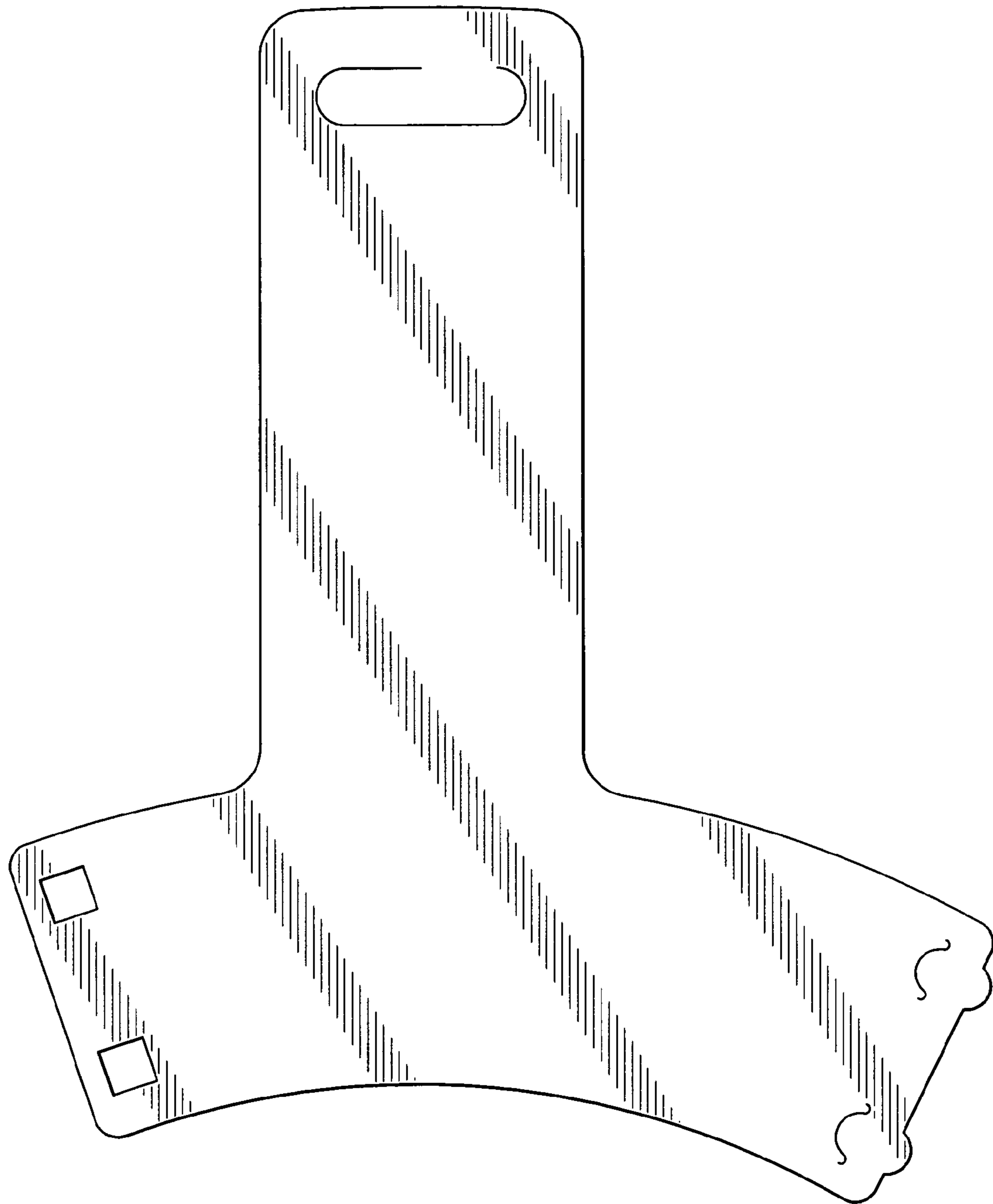


FIG. 2

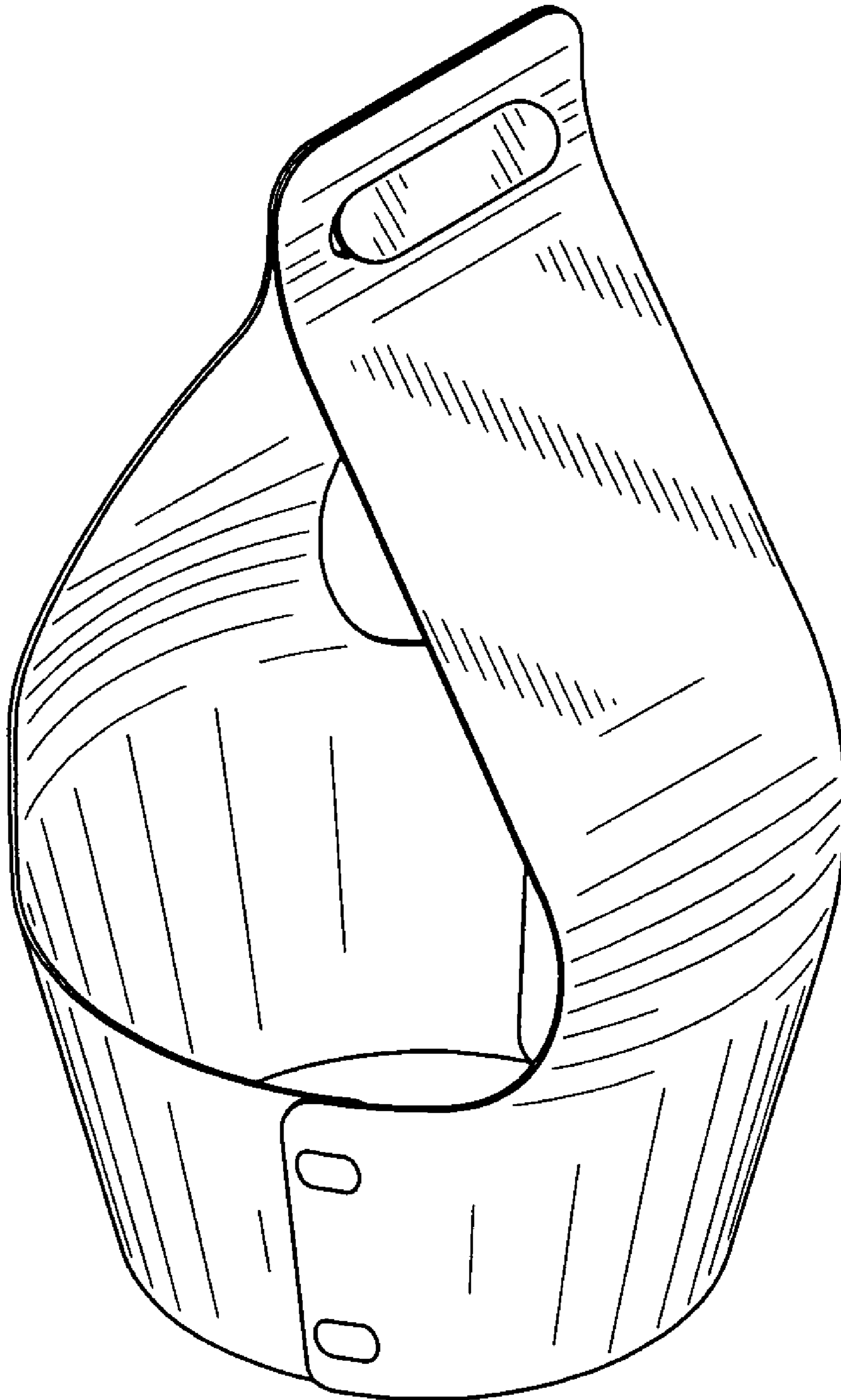


FIG. 3

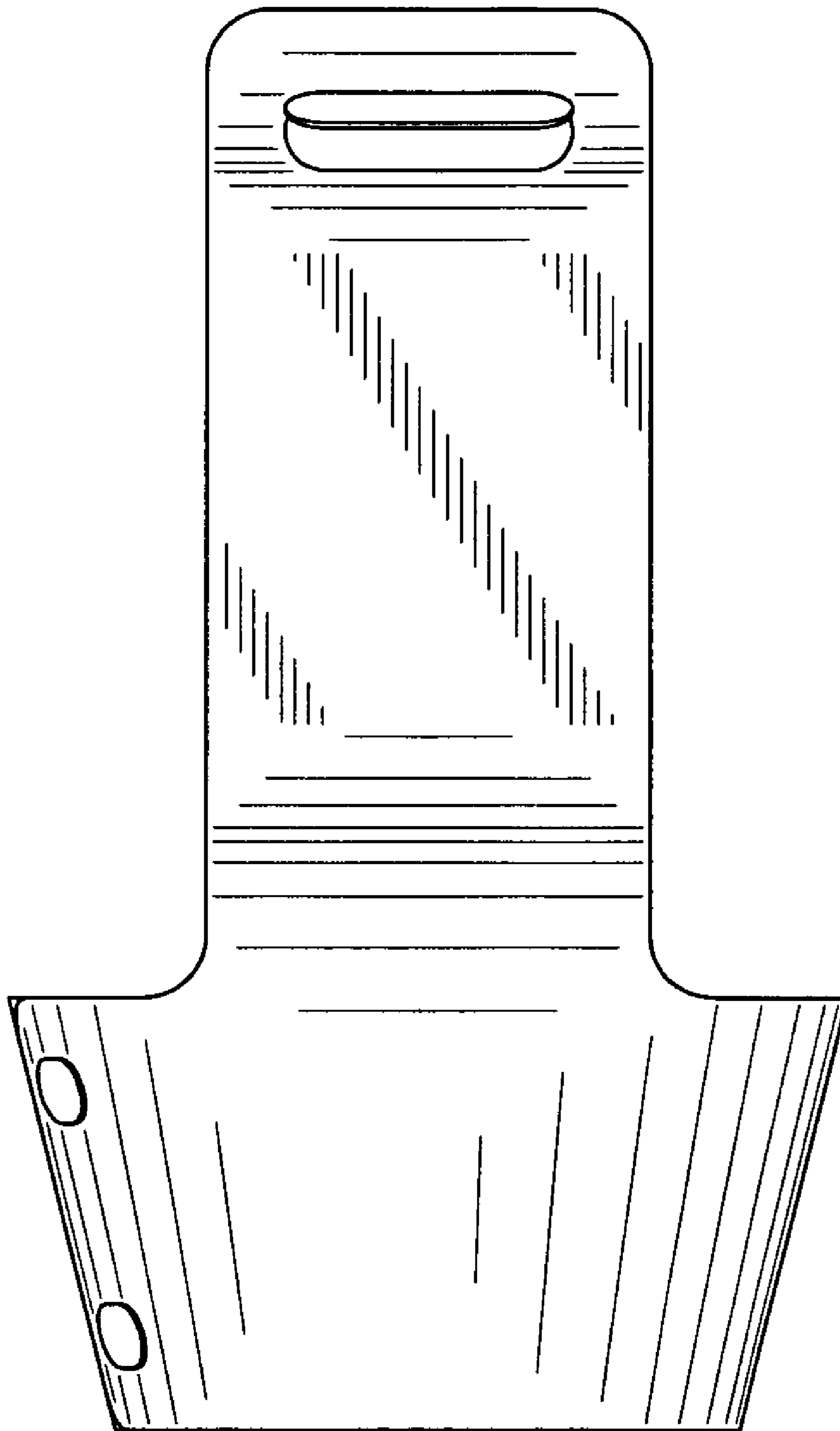


FIG. 4

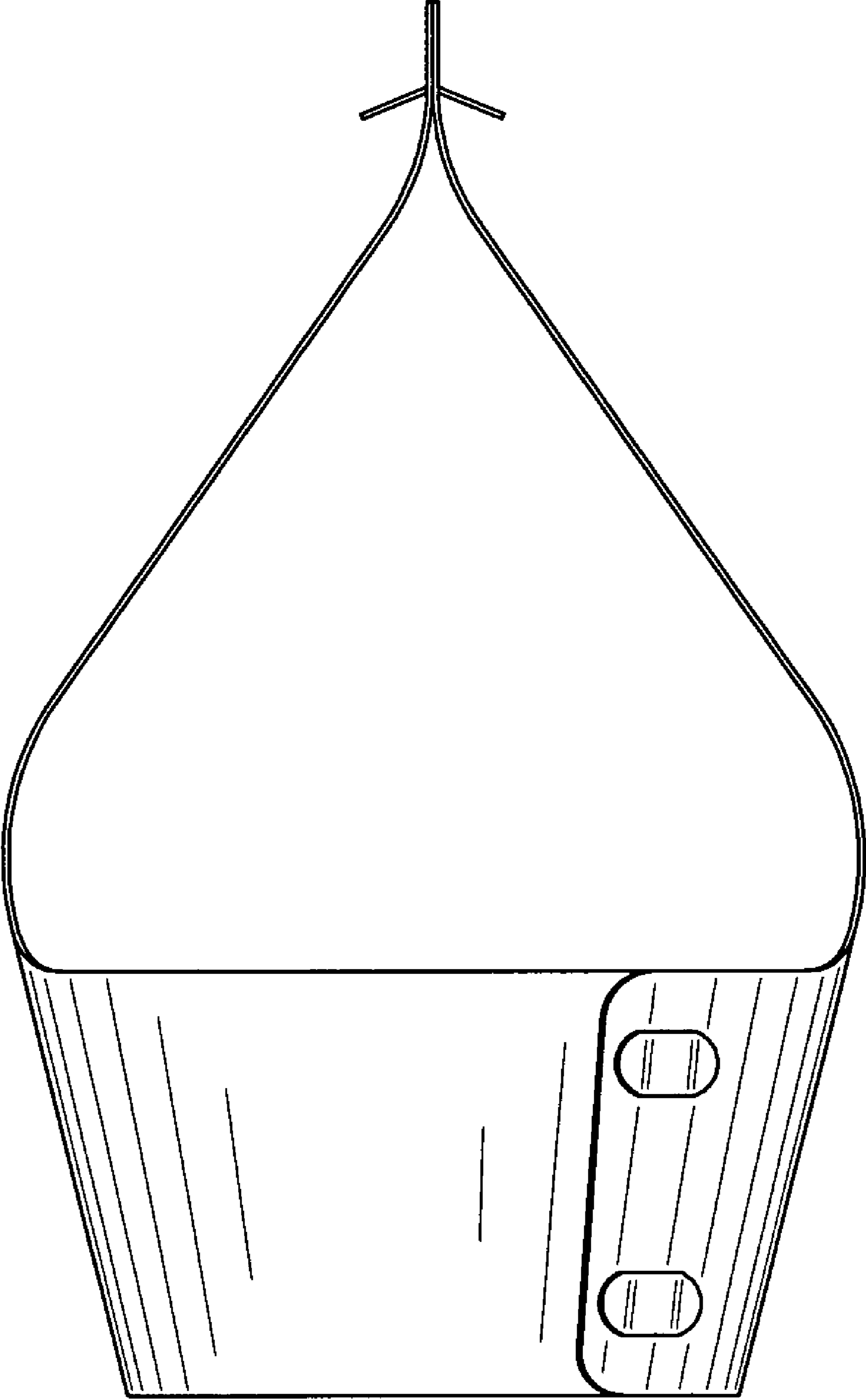


FIG. 5

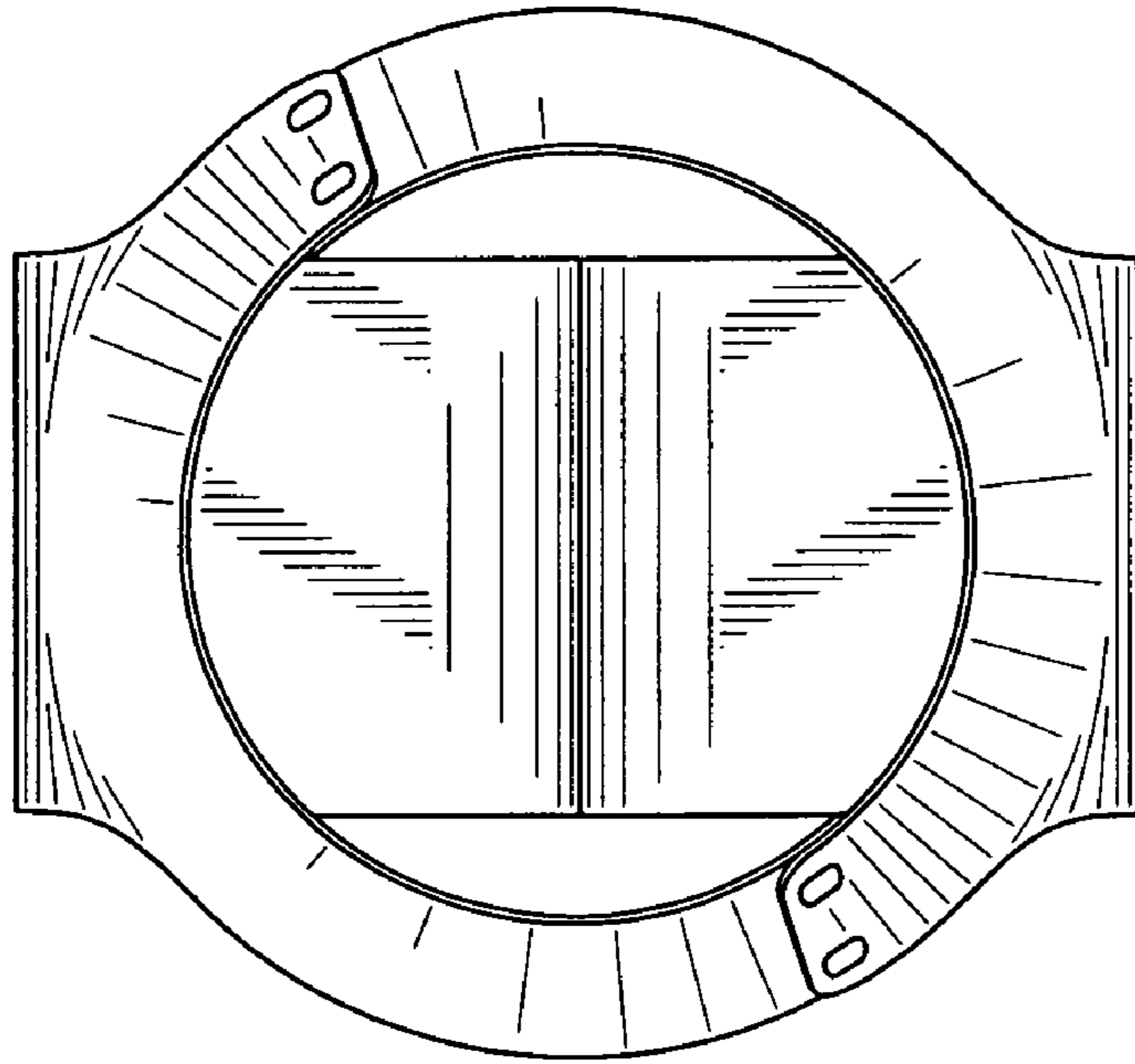


FIG. 6

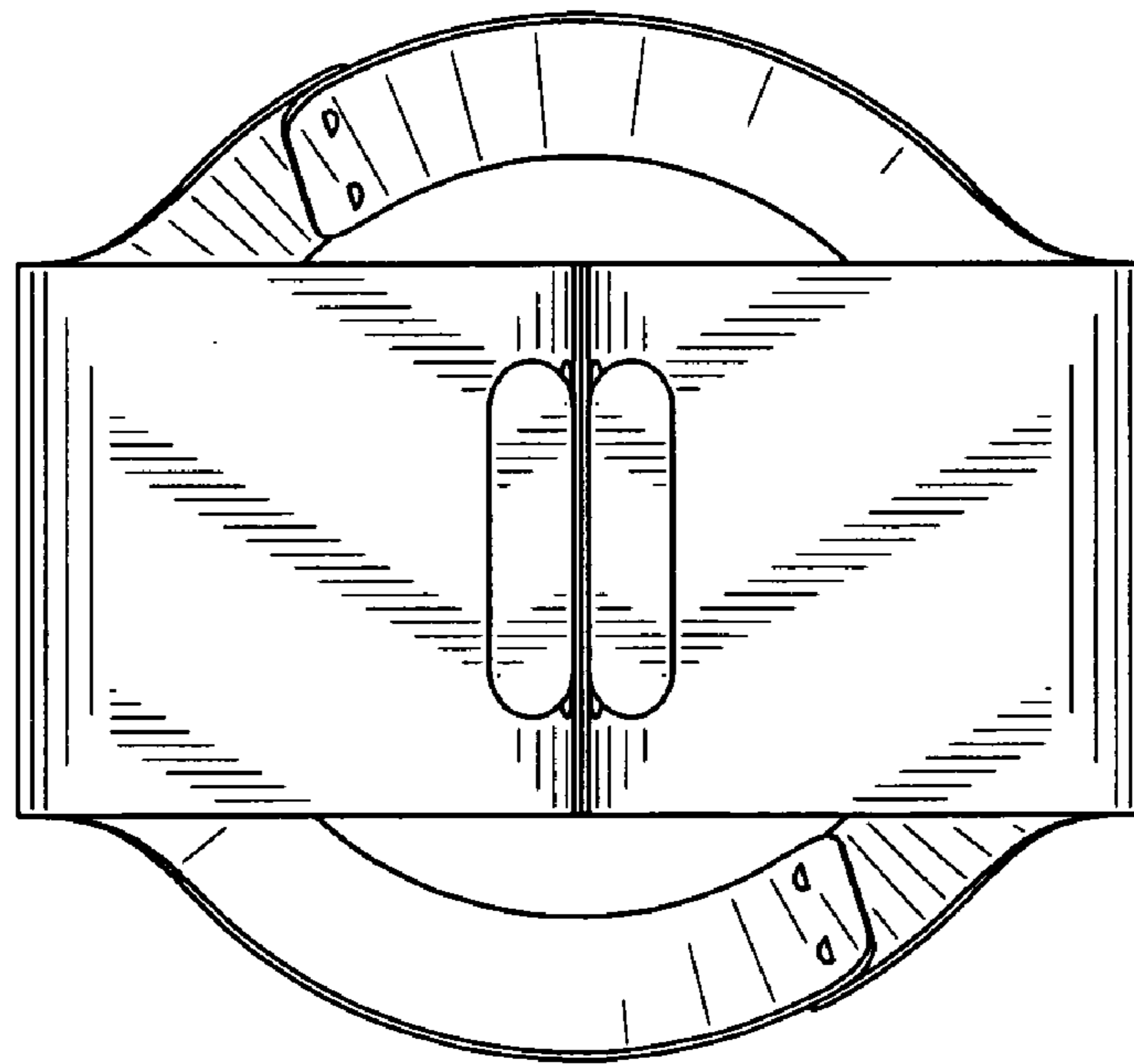


FIG. 7