



US00D579769S

(12) **United States Design Patent**
Lipinski et al.

(10) **Patent No.:** **US D579,769 S**

(45) **Date of Patent:** **** Nov. 4, 2008**

(54) **FOOD PACKAGE**

(75) Inventors: **Jeffrey Matthew Lipinski**, Waunakee, WI (US); **Raymond Scott Manis**, La Valle, WI (US)

(73) Assignee: **Kraft Foods Global Brands LLC**, Northfield, IL (US)

(**) Term: **14 Years**

(21) Appl. No.: **29/296,234**

(22) Filed: **Oct. 16, 2007**

(51) **LOC (8) Cl.** **09-03**

(52) **U.S. Cl.** **D9/425; D9/761**

(58) **Field of Classification Search** D9/416,
D9/424, 425, 428, 429, 430, 432, 737, 756,
D9/759, 760, 761; D7/602, 608, 614; 229/400,
229/404, 406, 407, 902; 426/108, 115, 119;
206/503, 508, 518, 519, 557, 558, 563, 524.8,
206/223, 541, 469, 459.5, 820; 220/23.4,
220/23.8, 23.83, 669, 674, 675, 556, 557,
220/659, 359.1, 359.2, 574, 359.4, 608, 573.4,
220/623

See application file for complete search history.

(56) **References Cited**

U.S. PATENT DOCUMENTS

2,657,998	A *	11/1953	Peters	426/119
3,381,876	A *	5/1968	Biggins	220/574
D222,852	S *	1/1972	Goins	D9/761
D227,041	S *	5/1973	Link	D23/290
D232,612	S *	9/1974	Christian et al.	D7/586
3,976,196	A *	8/1976	Mueller	206/526
4,190,153	A *	2/1980	Olsen	206/362
4,518,081	A	5/1985	de Larosiere		
D293,767	S *	1/1988	Powers	D9/761
D305,204	S *	12/1989	Reifein et al.	D9/418

(Continued)

FOREIGN PATENT DOCUMENTS

EP 0 392 809 A1 10/1990

Primary Examiner—Stella M. Reid

Assistant Examiner—Mark A Goodwin

(74) *Attorney, Agent, or Firm*—Fitch, Even, Tabin & Flannery

(57) **CLAIM**

We claim the ornamental design for a food package, as shown and described.

DESCRIPTION

FIG. 1 is a perspective view of a first embodiment of a food package of our new design;

FIG. 2 is a top plan view of the food package of FIG. 1;

FIG. 3 is a bottom plan view of the food package of FIG. 1;

FIG. 4 is a right side elevational view of the food package of FIG. 1;

FIG. 5 is a left side elevational view of the food package of FIG. 1;

FIG. 6 is a back side elevational view of the food package of FIG. 1;

FIG. 7 is a front side elevational view of the food package of FIG. 1;

FIG. 8 is a perspective view of a second embodiment of a food package of our new design;

FIG. 9 is a top plan view of the food package of FIG. 8;

FIG. 10 is a bottom plan view of the food package of FIG. 8;

FIG. 11 is a right side elevational view of the food package of FIG. 8;

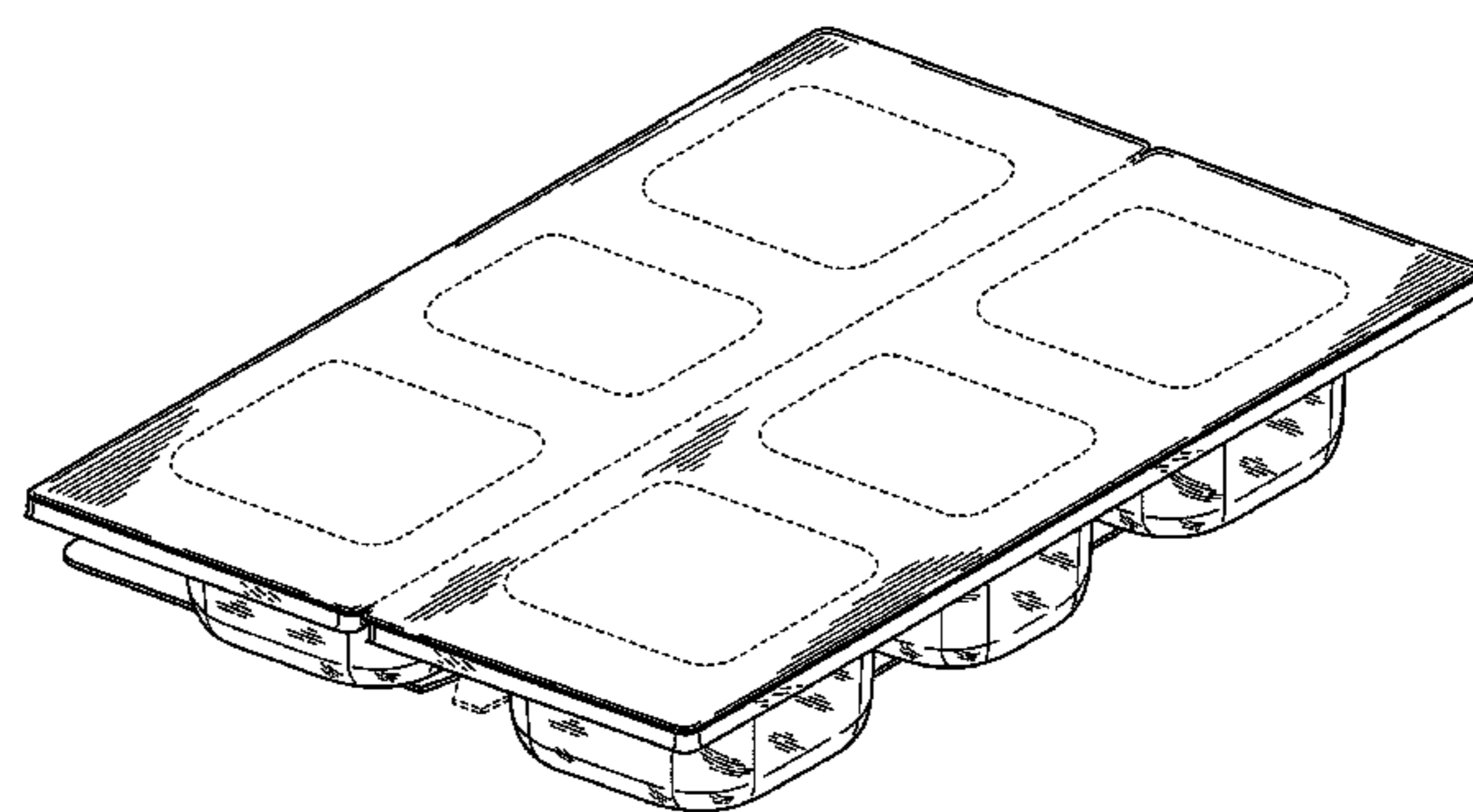
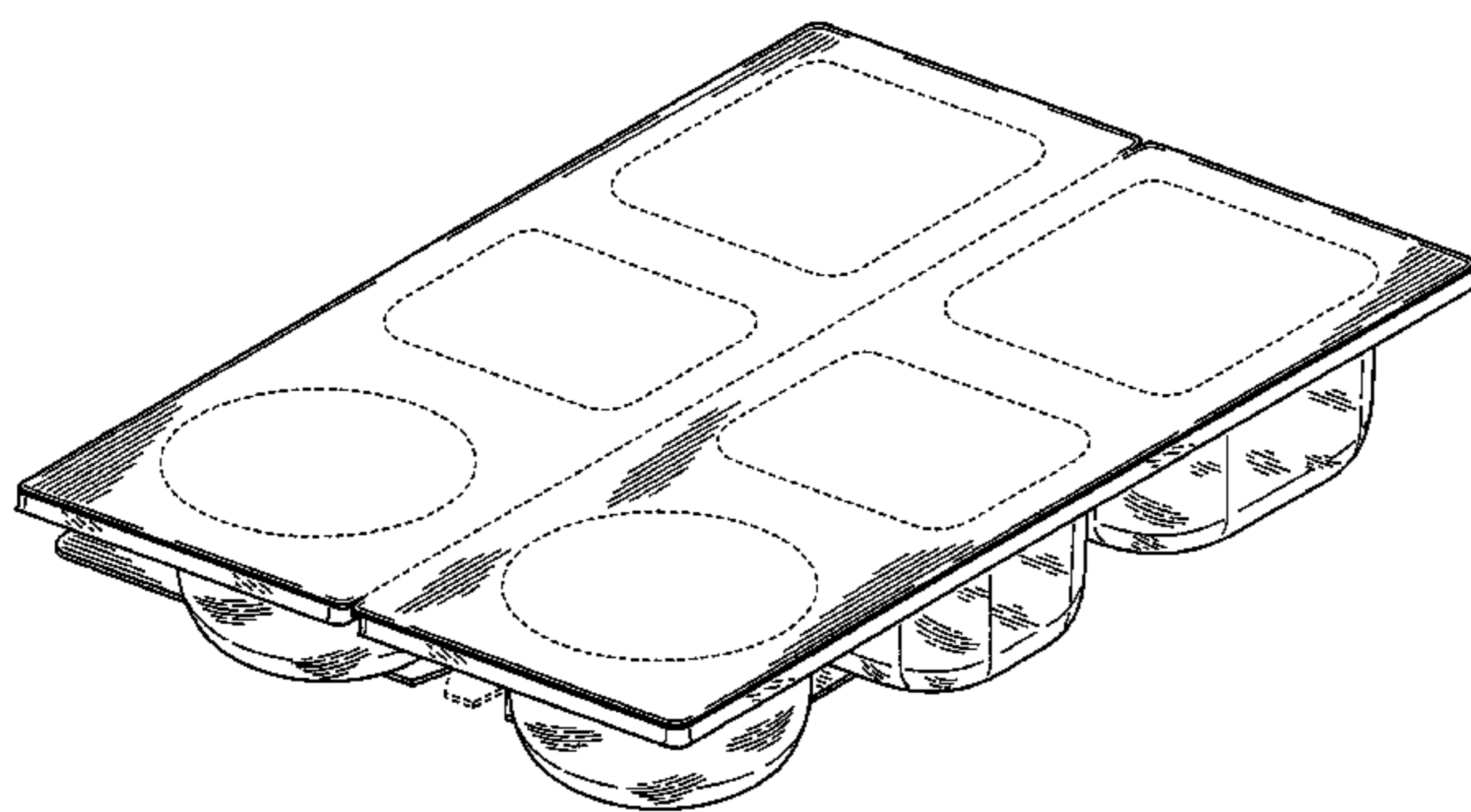
FIG. 12 is a left side elevational view of the food package of FIG. 8;

FIG. 13 is a back side elevational view of the food package of FIG. 8; and,

FIG. 14 is a front side elevational view of the food package of FIG. 8.

Portions of the food package shown in broken lines in the figures are for illustrative purposes only and form no part of the claimed design.

1 Claim, 10 Drawing Sheets



US D579,769 S

Page 2

U.S. PATENT DOCUMENTS

D305,205 S *	12/1989	Grindrod et al.	D9/418	D395,392 S *	6/1998	Lahm et al.	D9/425
4,896,772 A	1/1990	Walter et al.		5,787,684 A	8/1998	Compton	
4,919,269 A	4/1990	Wright et al.		D408,280 S *	4/1999	Manley et al.	D9/415
5,042,652 A *	8/1991	Grindrod	229/164.1	5,900,263 A *	5/1999	Gics	426/87
5,119,940 A *	6/1992	Grindrod	426/120	D416,483 S *	11/1999	Manley et al.	D9/415
D335,442 S *	5/1993	Detert et al.	D9/418	D417,785 S *	12/1999	Daniels	D3/313
D335,445 S *	5/1993	Detert et al.	D9/418	D420,283 S *	2/2000	Reichel	D9/759
D335,820 S *	5/1993	Detert et al.	D9/418	6,053,320 A *	4/2000	Kuethe	206/462
D335,821 S *	5/1993	Detert et al.	D9/418	6,086,931 A *	7/2000	Whiteford	426/118
D336,241 S *	6/1993	Detert et al.	D9/418	D463,977 S *	10/2002	Castellanos et al.	D9/761
D336,242 S *	6/1993	Detert et al.	D9/418	D474,687 S *	5/2003	Jones et al.	D9/761
D337,048 S *	7/1993	Detert et al.	D9/418	D492,593 S *	7/2004	Dutton	D9/760
D337,268 S *	7/1993	Detert et al.	D9/418	D494,463 S *	8/2004	Tsao	D9/761
D339,522 S *	9/1993	Zoss	D9/737	D504,326 S *	4/2005	Vovan	D9/761
5,375,701 A	12/1994	Hustad et al.		D515,880 S	2/2006	Lerner	
5,423,449 A	6/1995	Gordon et al.		6,996,951 B2	2/2006	Smith et al.	
D381,264 S *	7/1997	Lippincott	D9/418	7,093,816 B2 *	8/2006	Lacan et al.	249/61
5,657,873 A	8/1997	Hustad et al.		D531,054 S *	10/2006	Sagel	D9/737
D387,272 S *	12/1997	Lippincott	D9/761	D535,195 S *	1/2007	Schwab	D9/756
5,695,798 A *	12/1997	Rozzano	426/115	2004/0031244 A1	2/2004	Steele	
5,724,789 A	3/1998	Corella		2006/0156696 A1	7/2006	Bezek et al.	
				2006/0289325 A1	12/2006	Daitch	

* cited by examiner

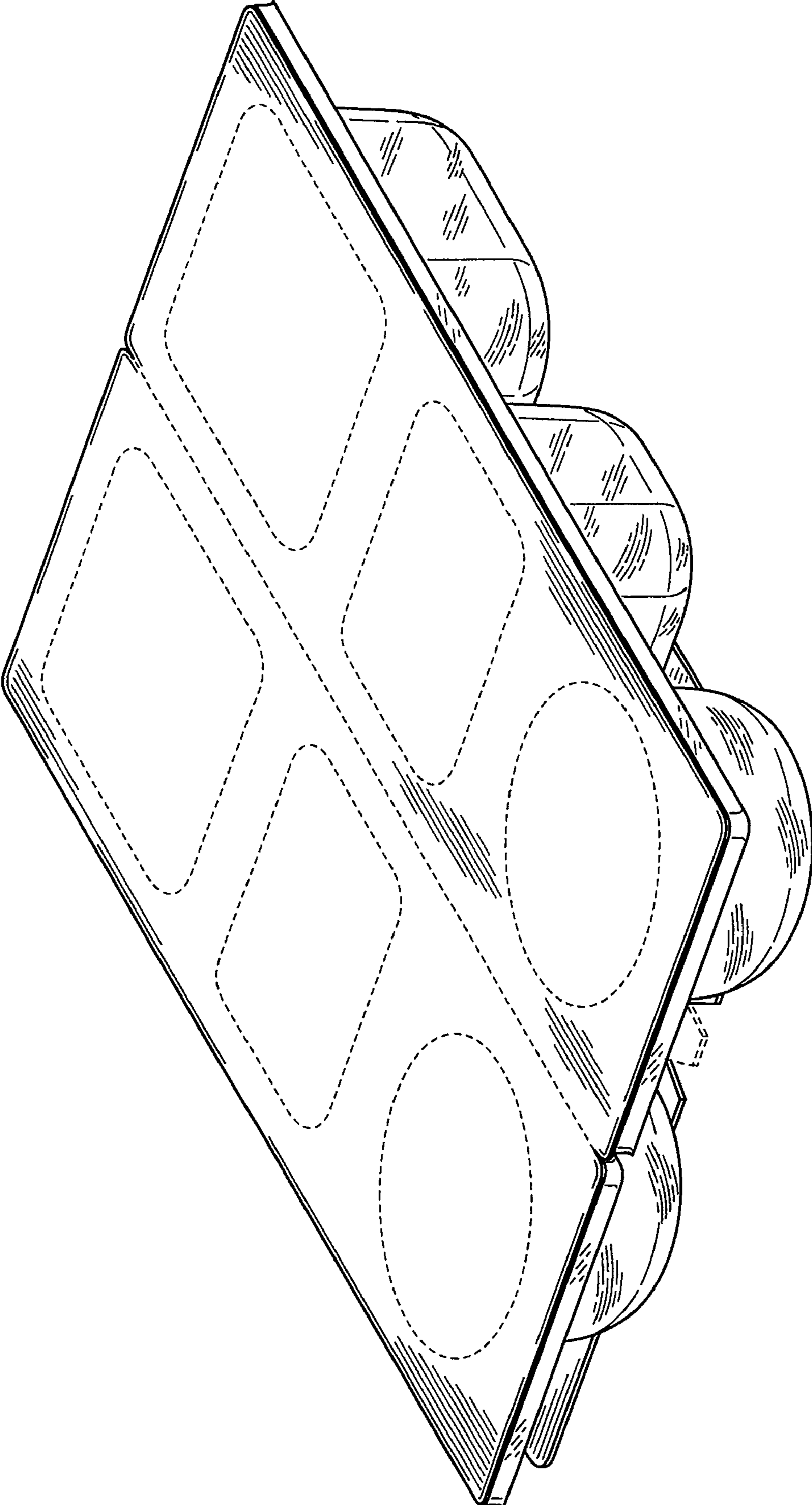


FIG. 1

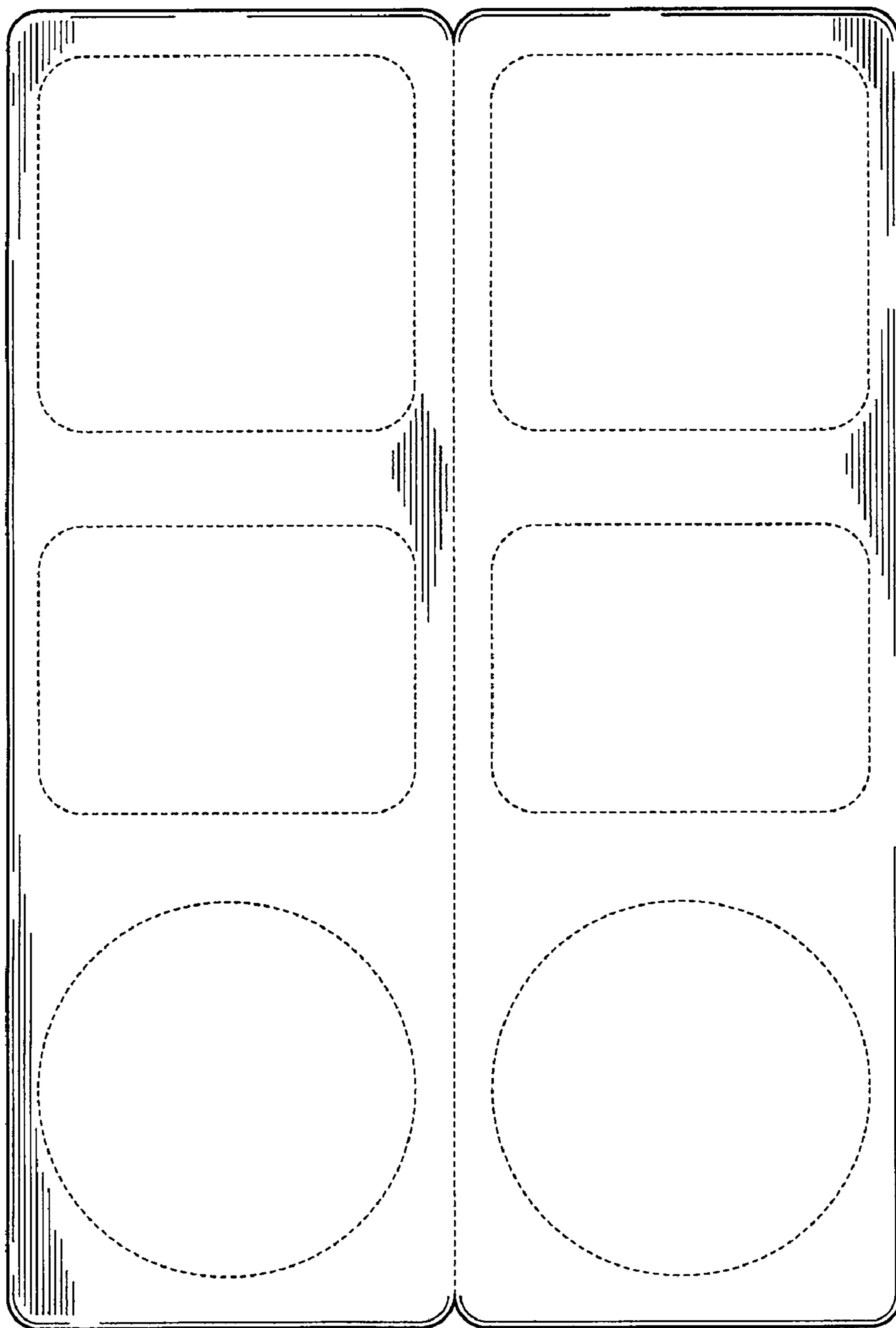


FIG. 2

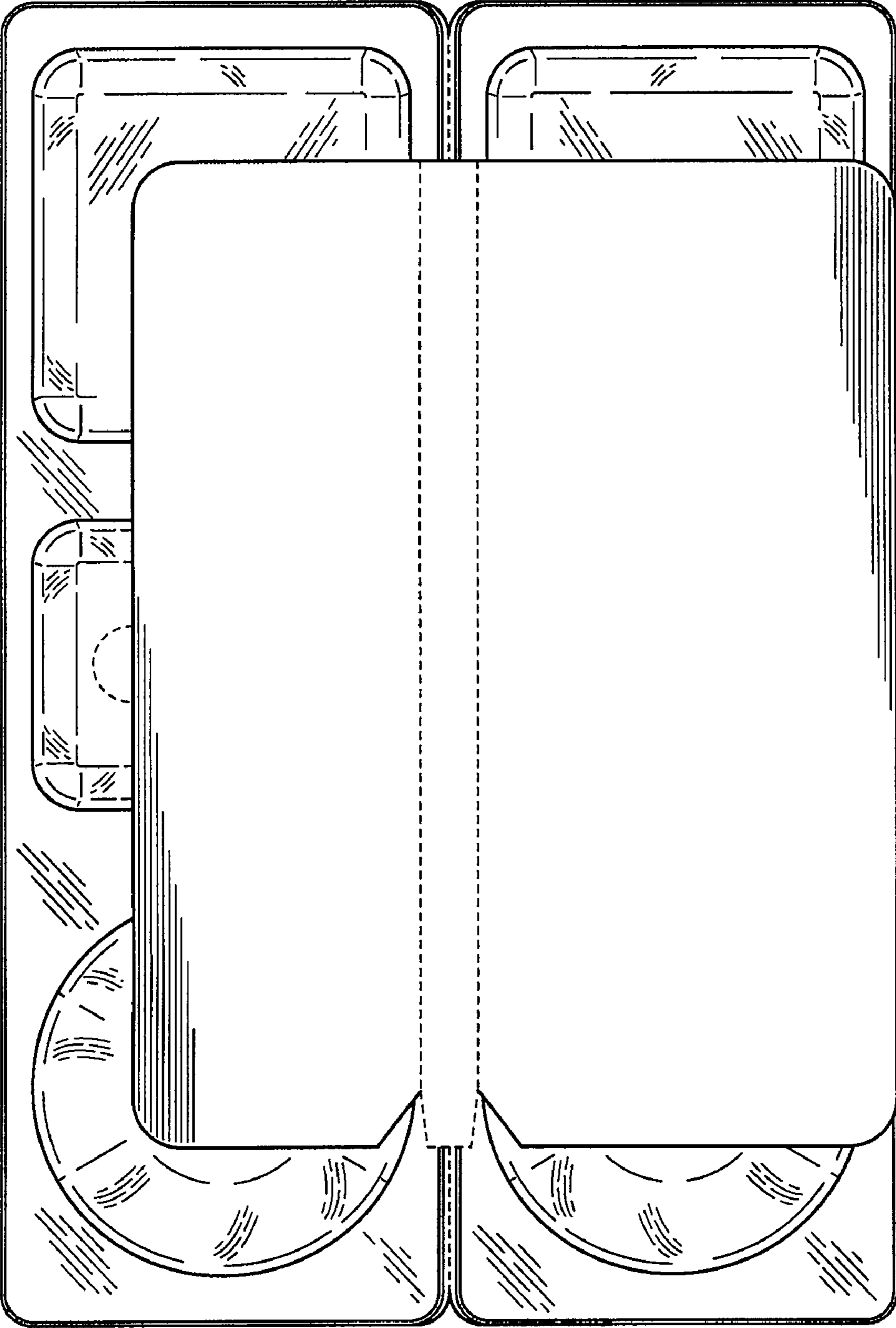


FIG. 3

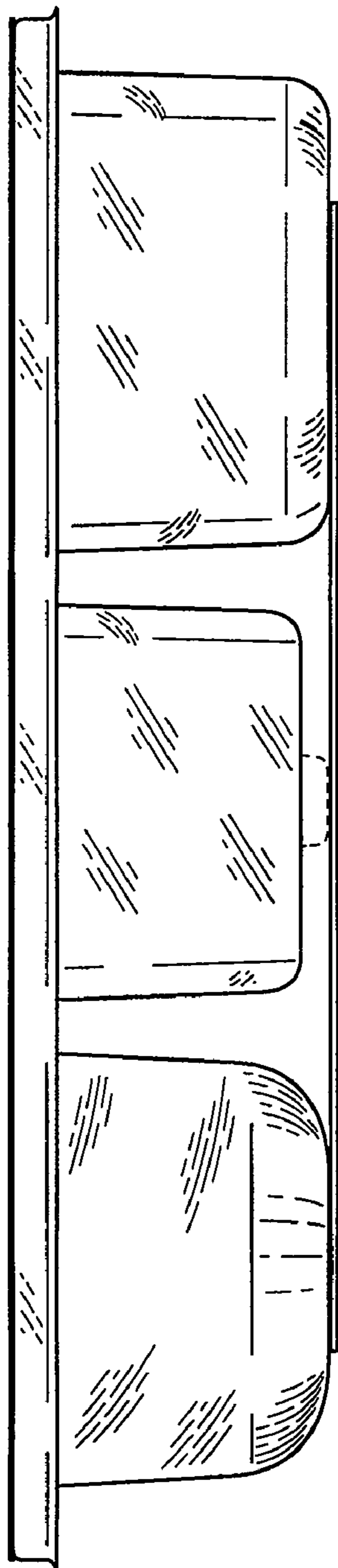


FIG. 4

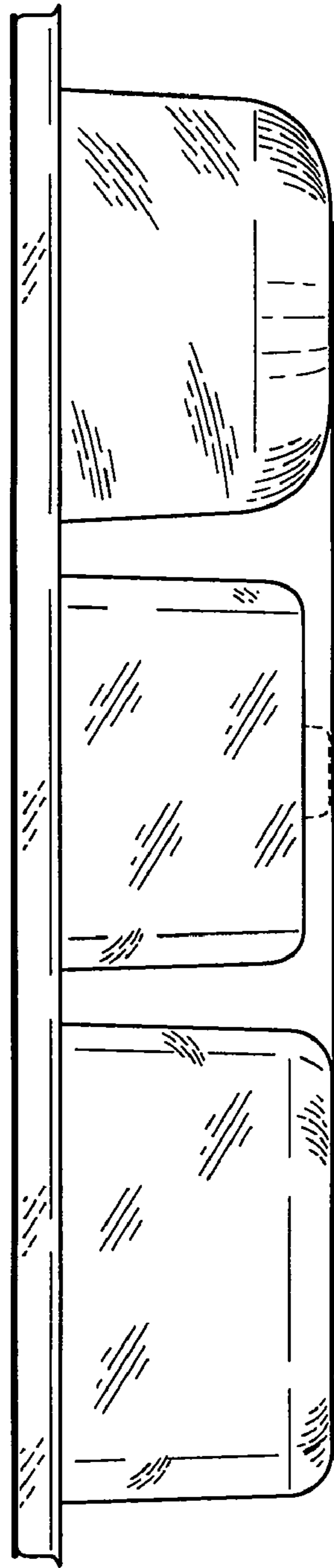


FIG. 5

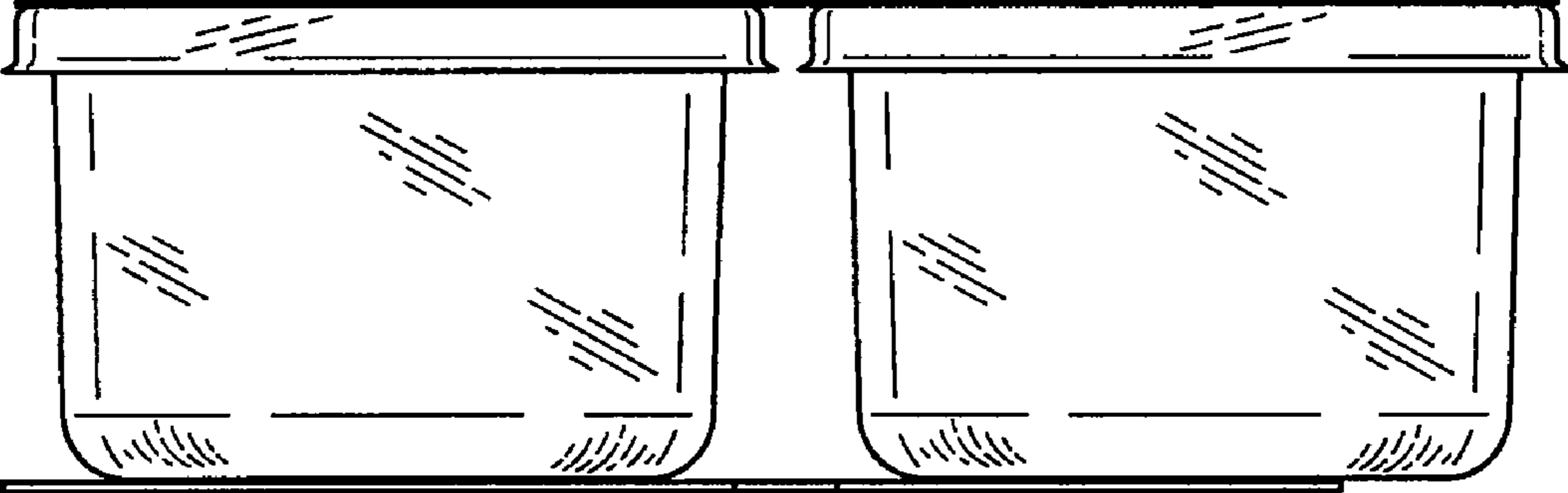


FIG. 6

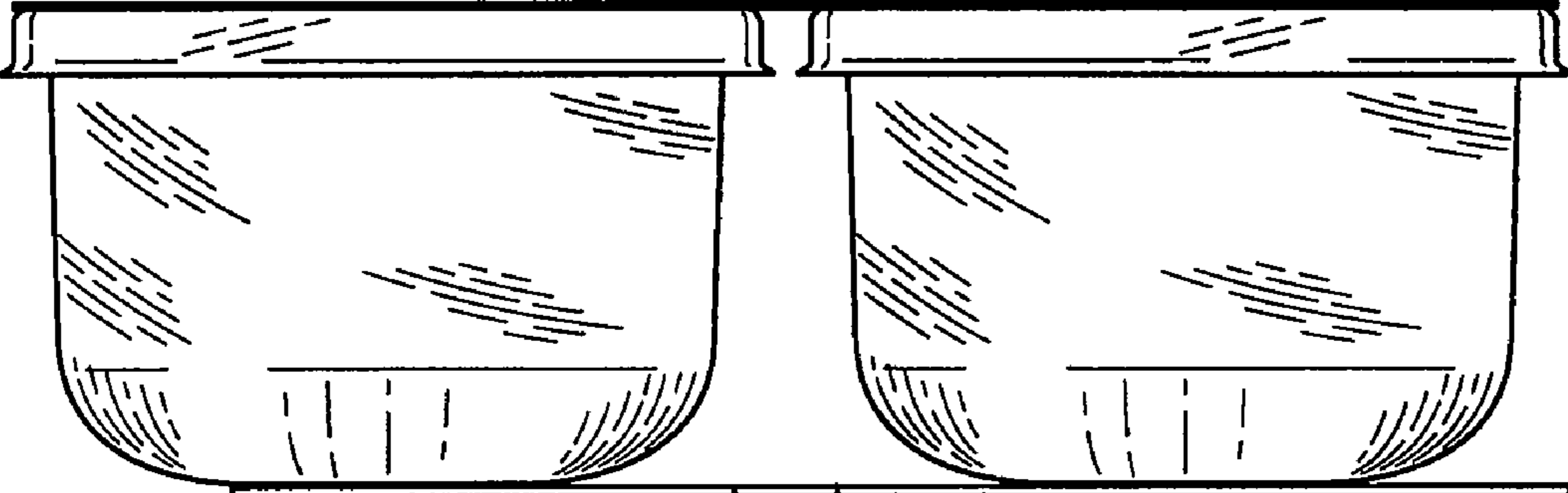


FIG. 7

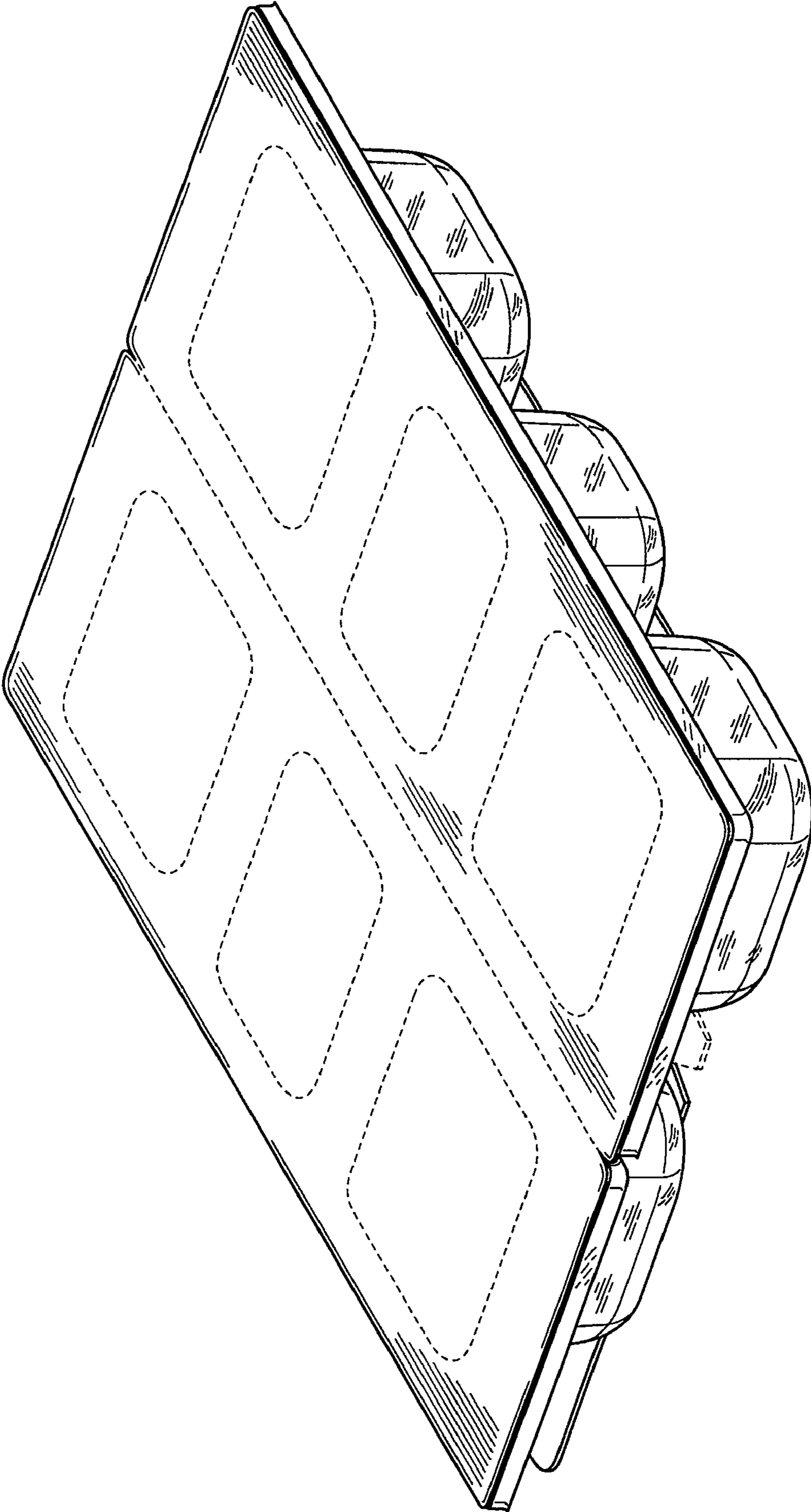


FIG. 8

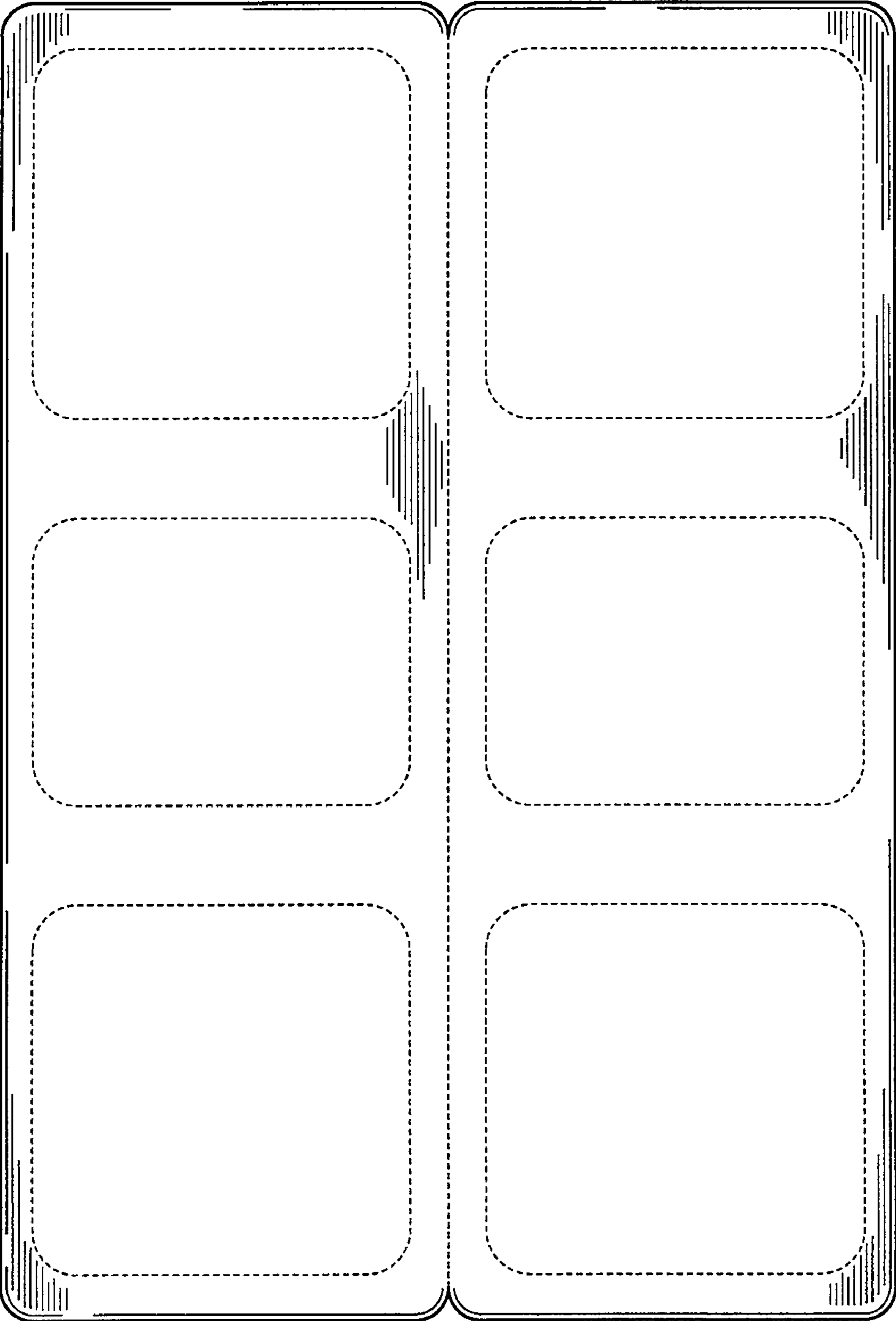


FIG. 9

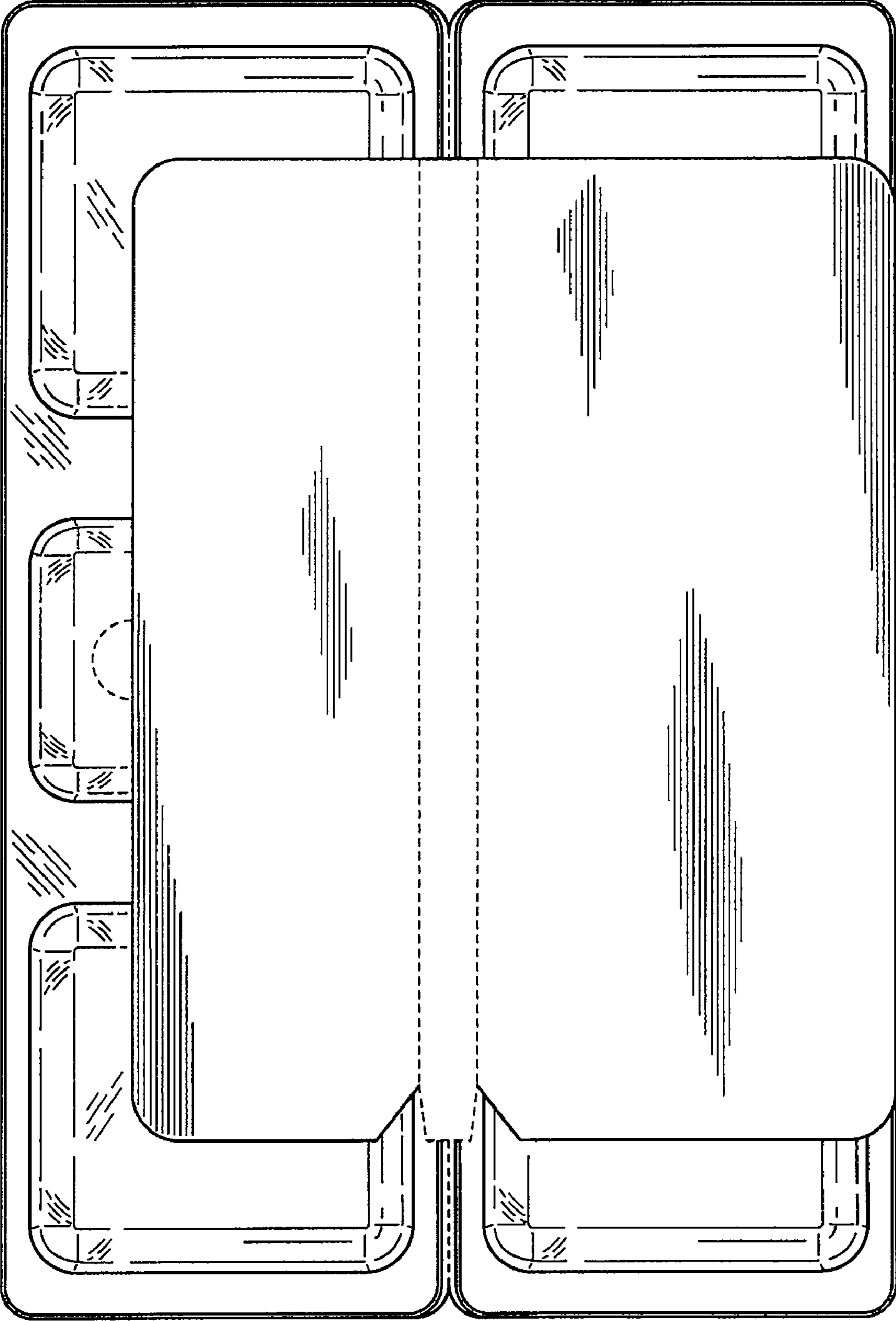


FIG. 10

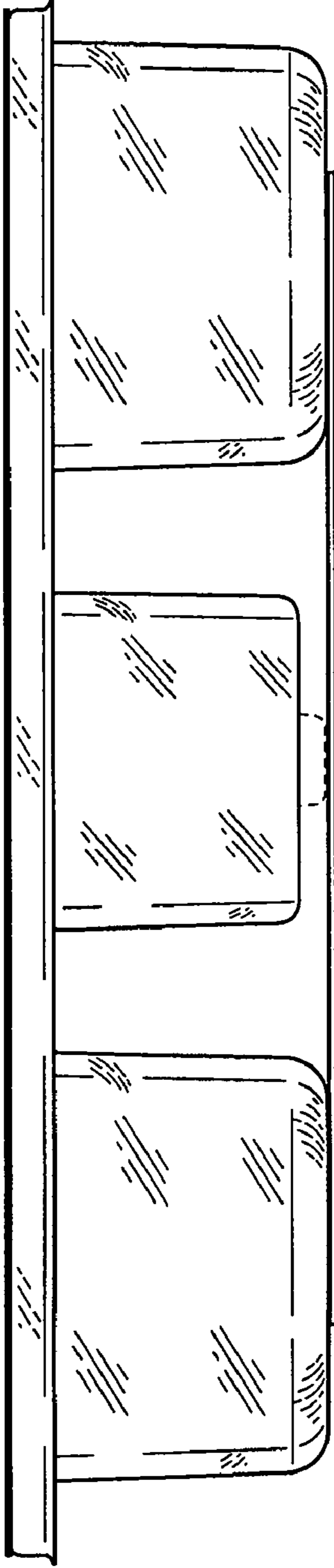


FIG. 11

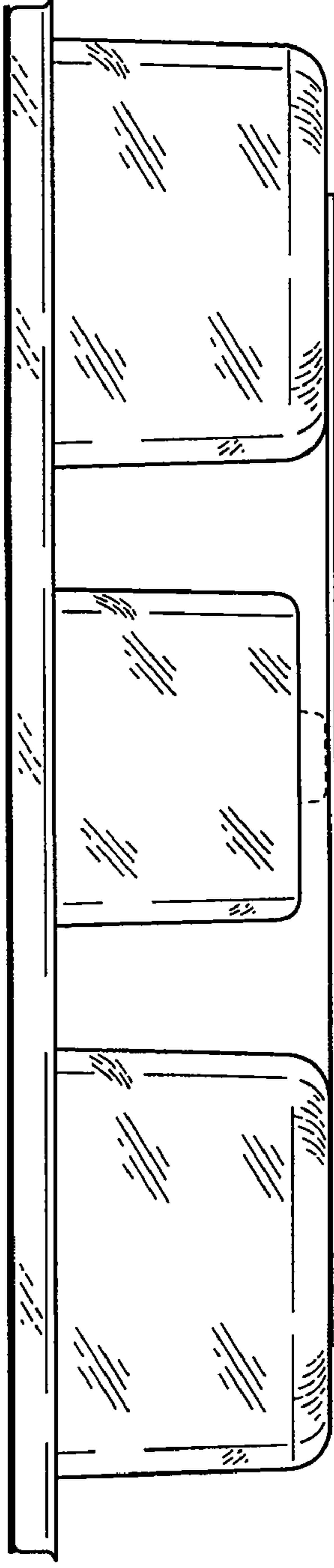


FIG. 12

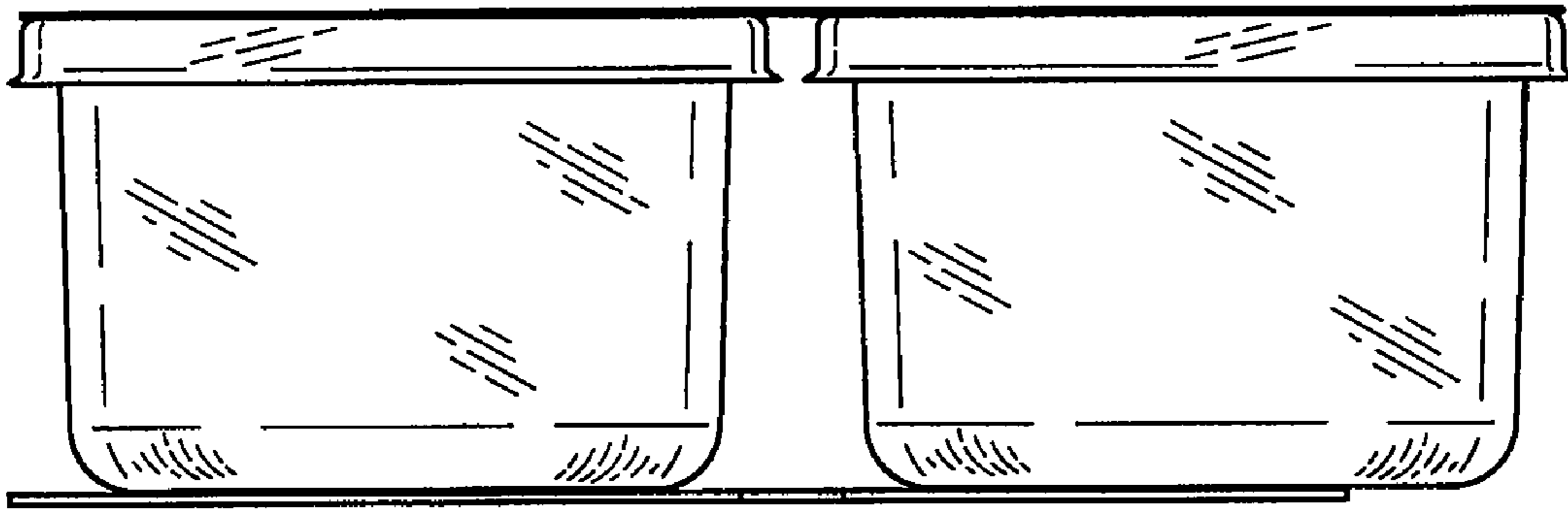


FIG. 13

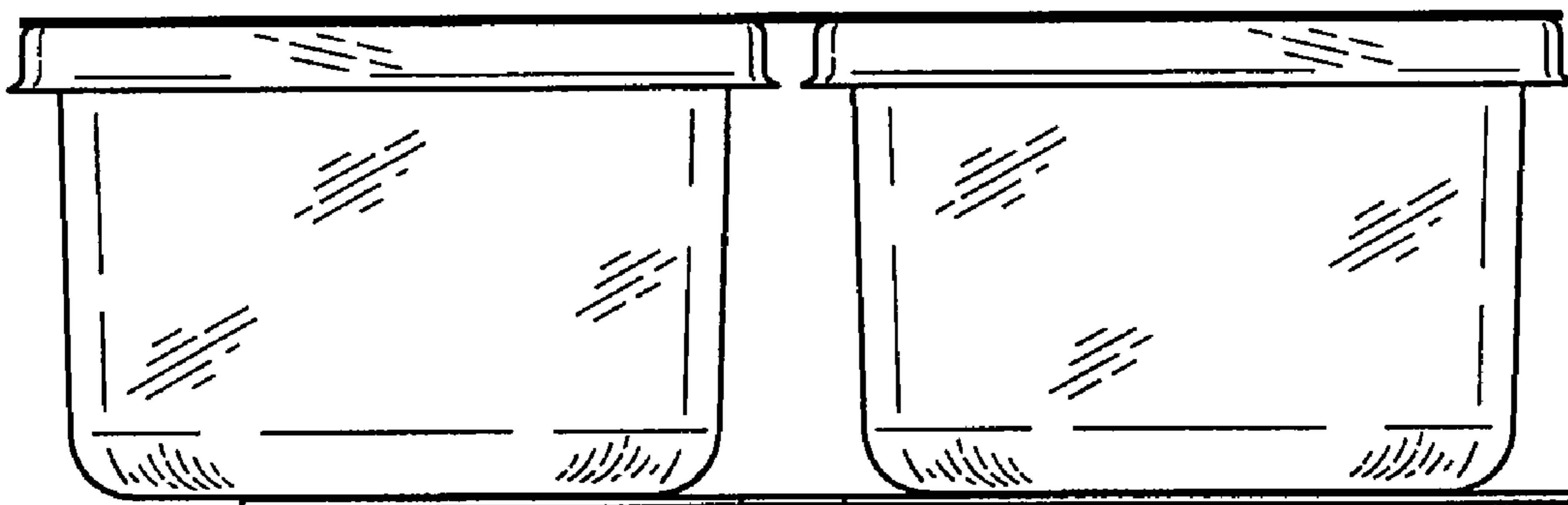


FIG. 14