

US00D579762S

(12) **United States Design Patent**
Sempliner et al.

(10) **Patent No.:** **US D579,762 S**

(45) **Date of Patent:** **** Nov. 4, 2008**

(54) **GROMMET**

(75) Inventors: **Arthur T. Sempliner**, Douglaston, NY (US); **Berkeley T. Merchant**, Santa Fe, NM (US)

(73) Assignee: **Upsite Technologies, Inc.**, Santa Fe, NM (US)

(**) Term: **14 Years**

(21) Appl. No.: **29/320,185**

(22) Filed: **Jun. 23, 2008**

Related U.S. Application Data

(62) Division of application No. 29/296,121, filed on Oct. 15, 2007, now Pat. No. Des. 571,641.

(51) **LOC (8) Cl.** **08-05**

(52) **U.S. Cl.** **D8/356**

(58) **Field of Classification Search** D8/105, D8/107, 333, 349, 354, 356, 358, 367, 373, D8/382, 383, 394-396, 400; D23/261; D26/38; 24/197, 561; 174/153 G, 650, 656; 242/400.1, 242/405.1, 405.2, 600, 603, 916; 248/65, 248/74.1-74.4, 201, 214, 215, 229.26, 302, 248/304, 316.7, 316.8; 439/501, 535, 131, 439/135, 142; 16/2.1; D13/139.4, 147, 162, D13/164, 184; D14/5 R, 5 A, 304, 627; 361/628, 361/631, 643, 644, 673

See application file for complete search history.

(56) **References Cited**

U.S. PATENT DOCUMENTS

945,753 A	1/1910	Chamberlain et al.	
1,490,252 A	4/1924	Bissell	
3,042,739 A	7/1962	Craig	
3,163,882 A *	1/1965	Falkenberg 174/152 G
3,372,441 A *	3/1968	Fisher 16/2.1
3,778,529 A	12/1973	Miller	

D236,204 S	8/1975	Cooper	
D268,895 S	5/1983	Beleckis	
4,520,976 A *	6/1985	Cournoyer et al. 248/56
D292,391 S	10/1987	Schlesch	
D298,494 S	11/1988	Mockett	
5,041,698 A	8/1991	Takagi et al.	

(Continued)

Primary Examiner—T. Chase Nelson

Assistant Examiner—Karen Acker

(74) *Attorney, Agent, or Firm*—Schweitzer Cornman Gross & Bondell LLP

(57) **CLAIM**

The ornamental design for a grommet, as shown and described.

DESCRIPTION

FIG. 1 is a perspective view of the grommet of the invention;

FIG. 2 is a top plan view of the grommet of FIG. 1;

FIG. 3 is a bottom plan view of the grommet of FIG. 1;

FIG. 4 is an end elevation view of the grommet of FIG. 1, the other end being identical;

FIG. 5 is a side elevation view of the grommet of FIG. 1, the other side being identical;

FIG. 6 is a perspective view of a second embodiment of the invention;

FIG. 7 is a top plan view of the grommet of FIG. 6;

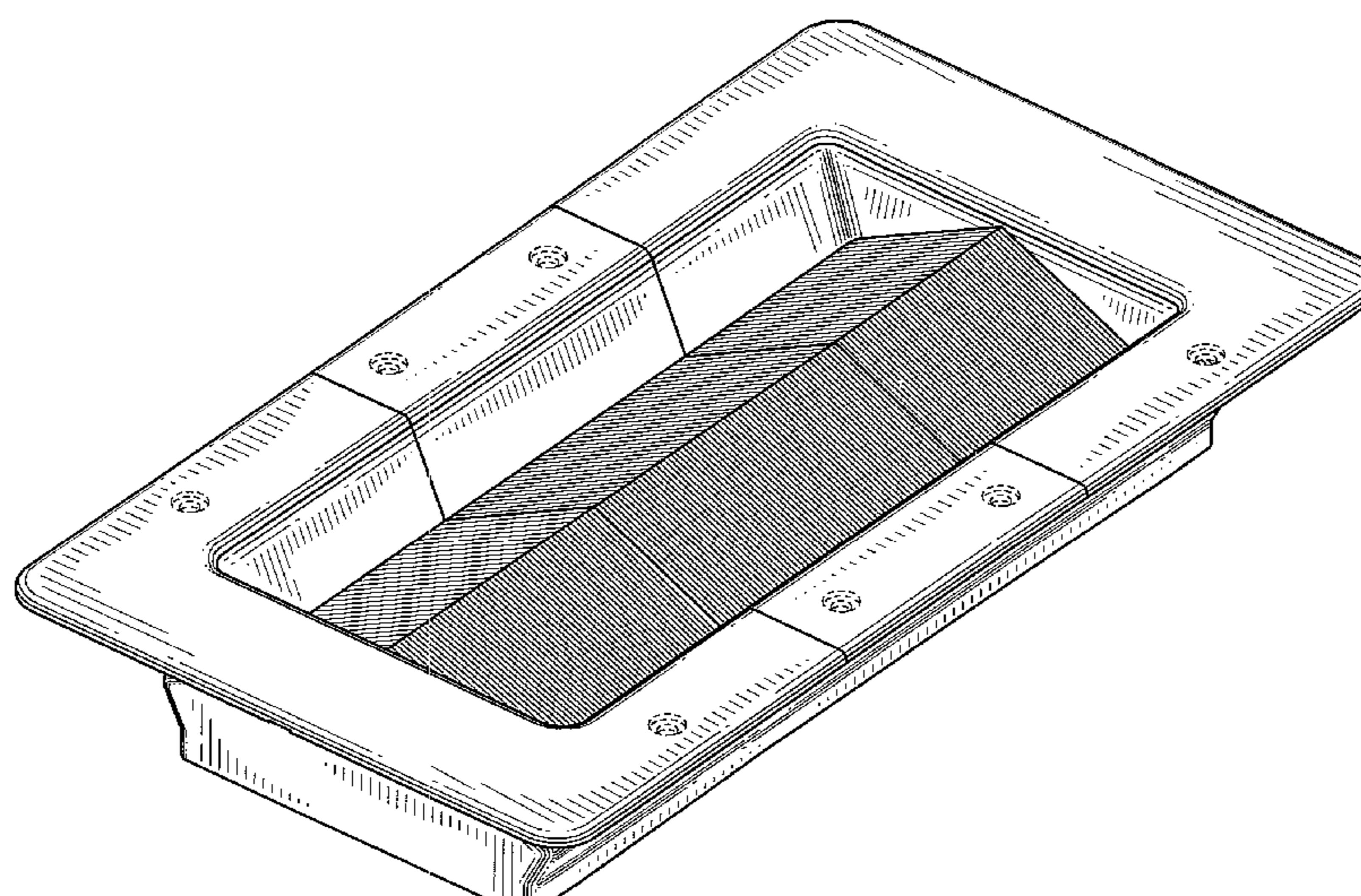
FIG. 8 is a bottom plan view of the grommet of FIG. 6;

FIG. 9 is an end elevation view of the grommet of FIG. 6, the other end being identical; and,

FIG. 10 is a side elevation view of the grommet of FIG. 6, the other side being identical.

The broken lines are intended to show environmental structure and form no part of the claimed design.

1 Claim, 8 Drawing Sheets



US D579,762 S

Page 2

U.S. PATENT DOCUMENTS

5,195,288	A *	3/1993	Penczak	52/220.1	D469,410	S	1/2003	Lyon	
5,429,467	A	7/1995	Gugle et al.		6,506,974	B2 *	1/2003	Nakata	174/650
5,467,947	A	11/1995	Quilling, II		6,520,345	B1 *	2/2003	Marovic et al.	211/26
5,518,115	A	5/1996	Latulippe		D472,325	S	3/2003	Walker	
5,627,342	A *	5/1997	Kramer	174/656	6,557,831	B2	5/2003	Erwin	
5,746,611	A *	5/1998	Brown et al.	439/135	6,632,999	B2	10/2003	Sempliner et al.	
5,813,243	A	9/1998	Johnson et al.		6,848,226	B1	2/2005	Boyd et al.	
5,870,799	A *	2/1999	Benda	16/2.1	7,094,091	B2 *	8/2006	Grzegorzewska et al. ...	439/354
5,994,644	A *	11/1999	Rindoks et al.	174/495	7,126,059	B2	10/2006	Dinh et al.	
6,051,794	A *	4/2000	Katou et al.	174/152 G	7,192,291	B2 *	3/2007	Shi et al.	439/135
6,102,229	A	8/2000	Moncourtois		7,222,394	B2 *	5/2007	Gardner	16/2.1
6,149,164	A	11/2000	Kreutz		7,253,361	B2 *	8/2007	Nishijima et al.	174/72 A
6,316,725	B1	11/2001	Cole et al.		2002/0194701	A1 *	12/2002	Benda	16/2.1
6,430,882	B1	8/2002	Feldpausch et al.		2004/0078926	A1 *	4/2004	May et al.	16/2.1
6,462,277	B1	10/2002	Young et al.						

* cited by examiner

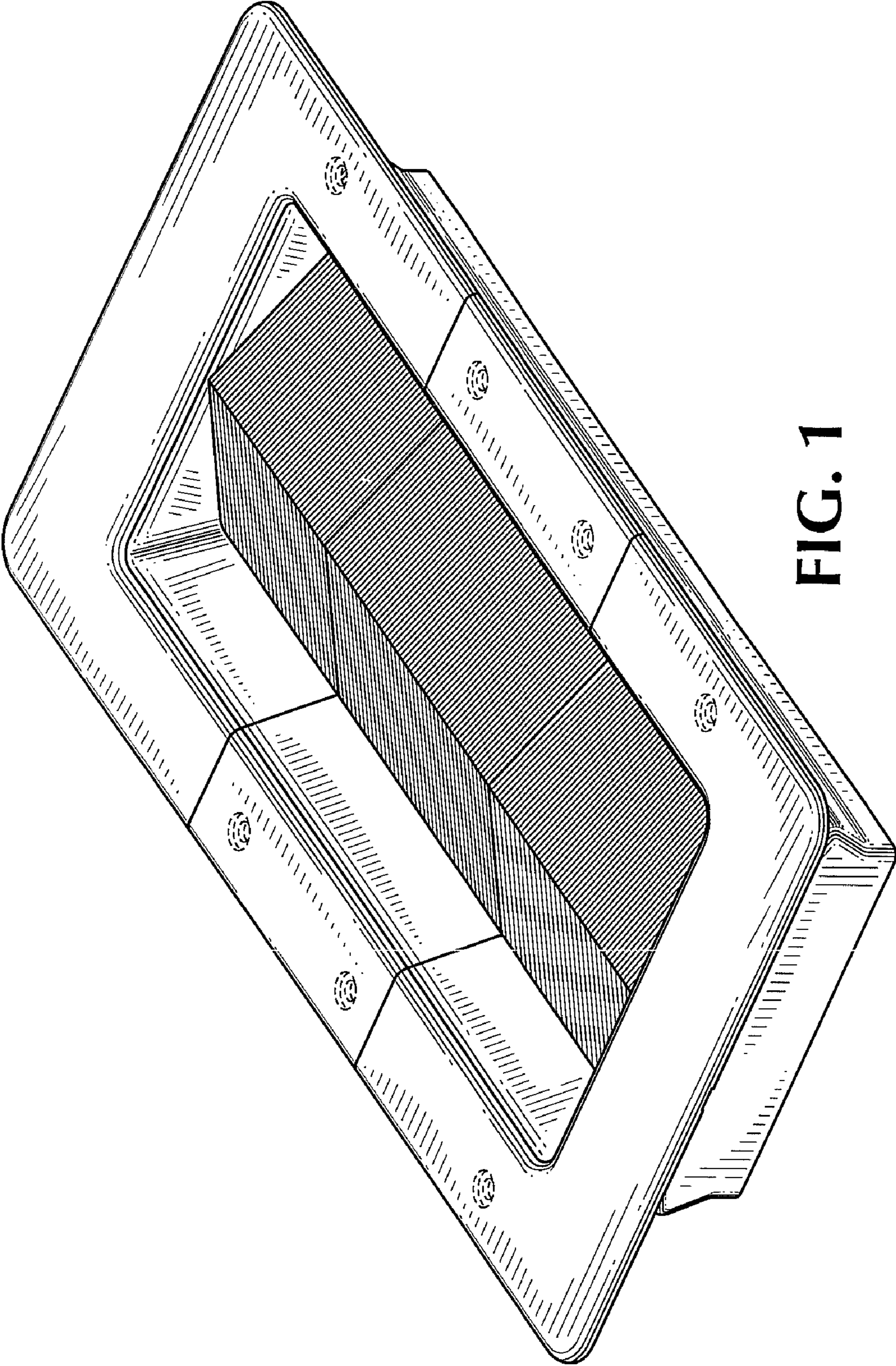


FIG. 1

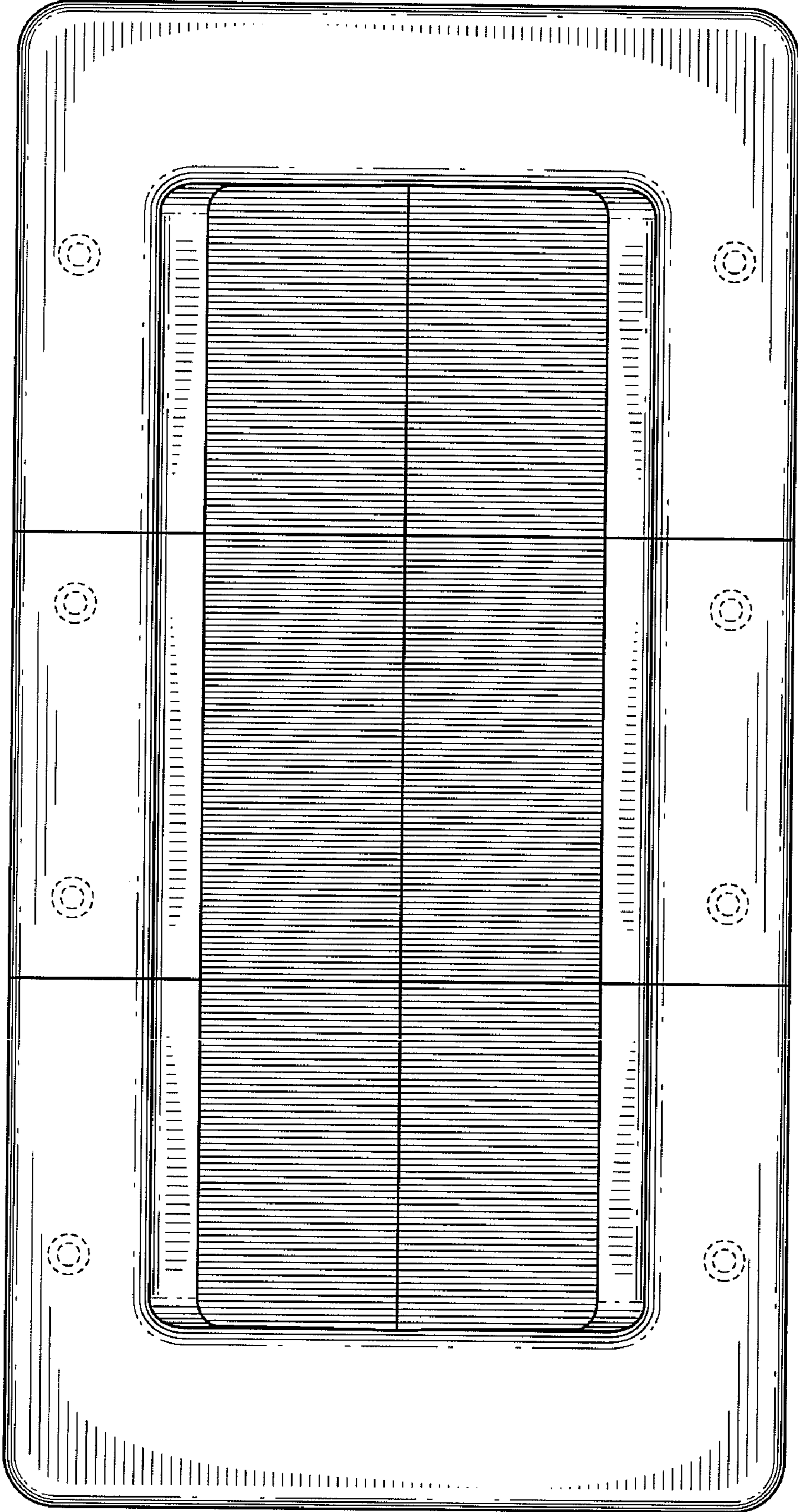


FIG. 2

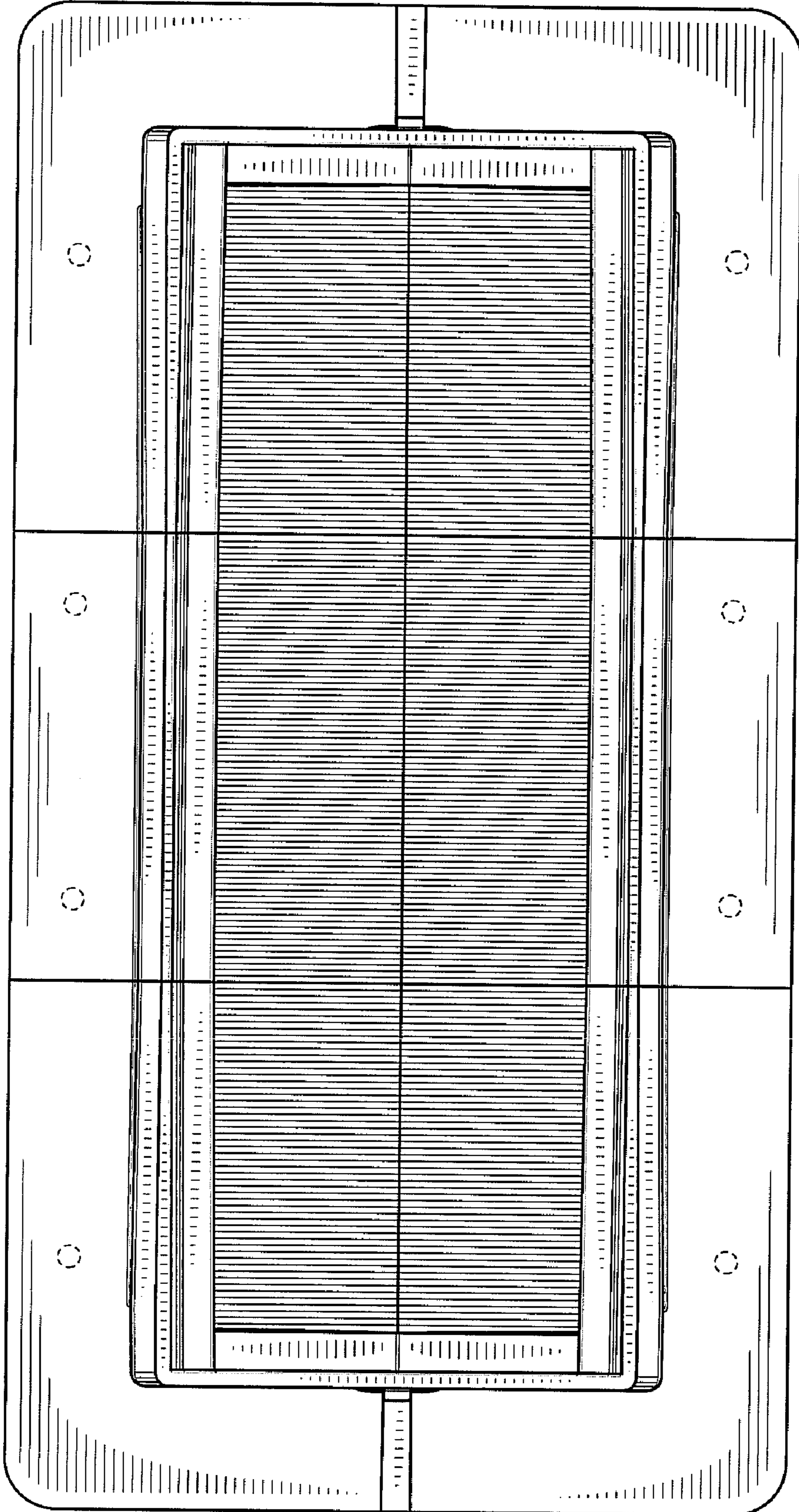


FIG. 3

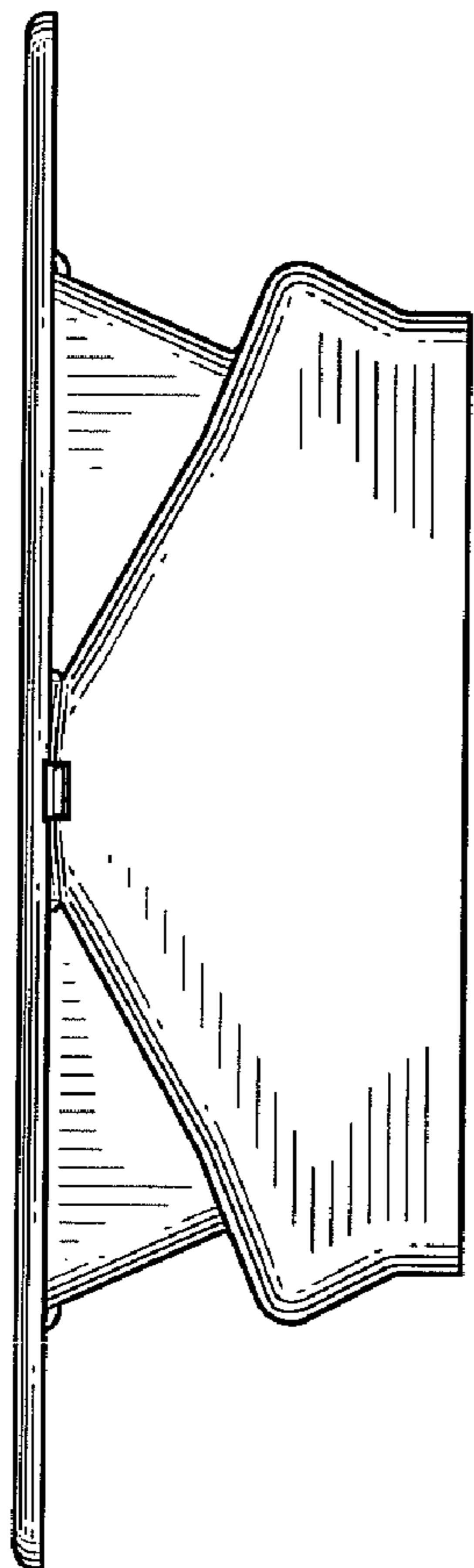


FIG. 4

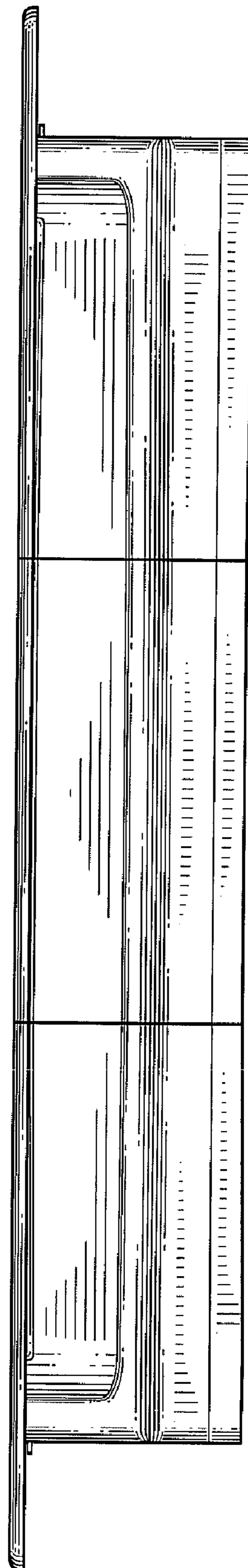


FIG. 5

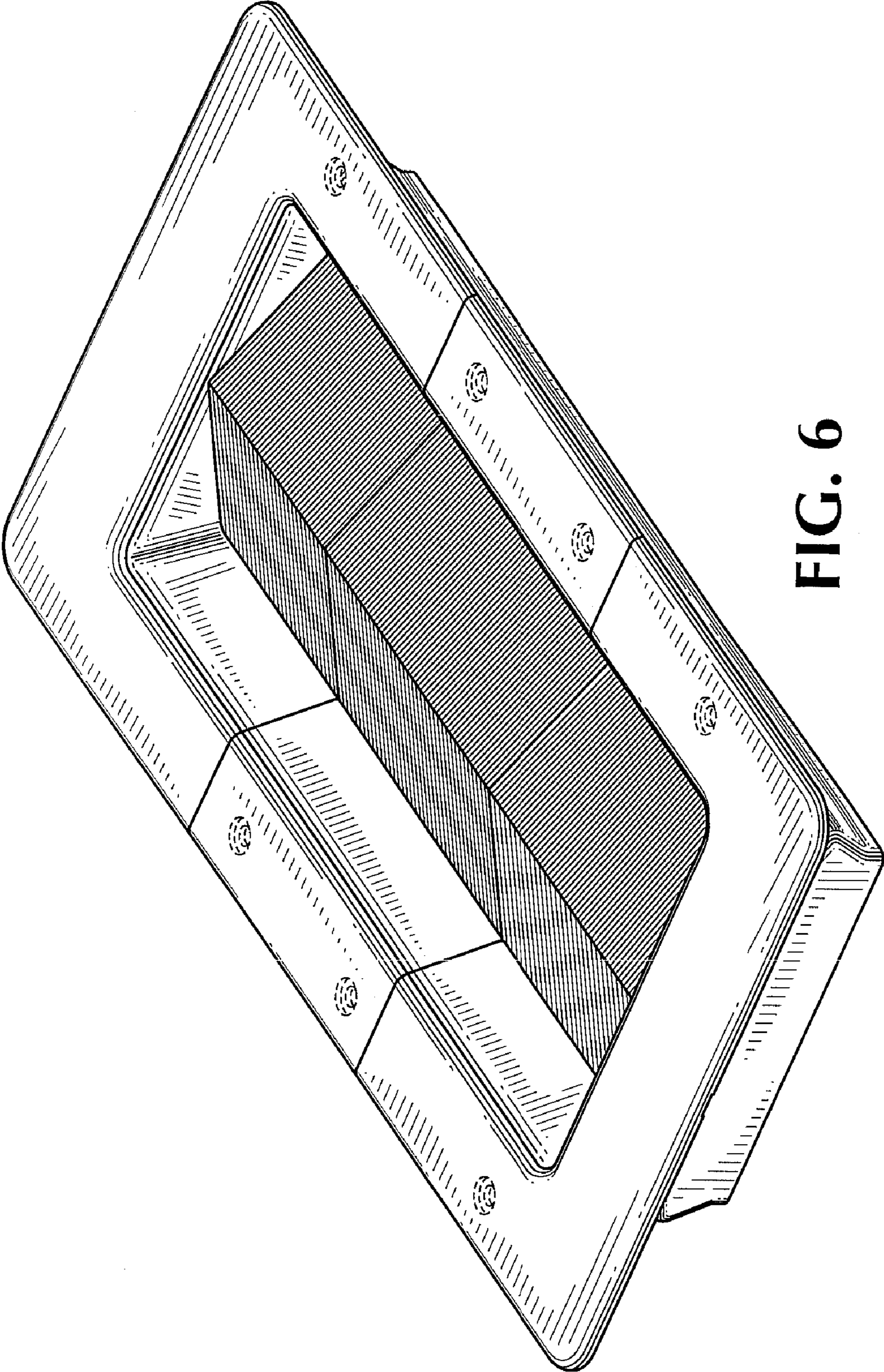


FIG. 6

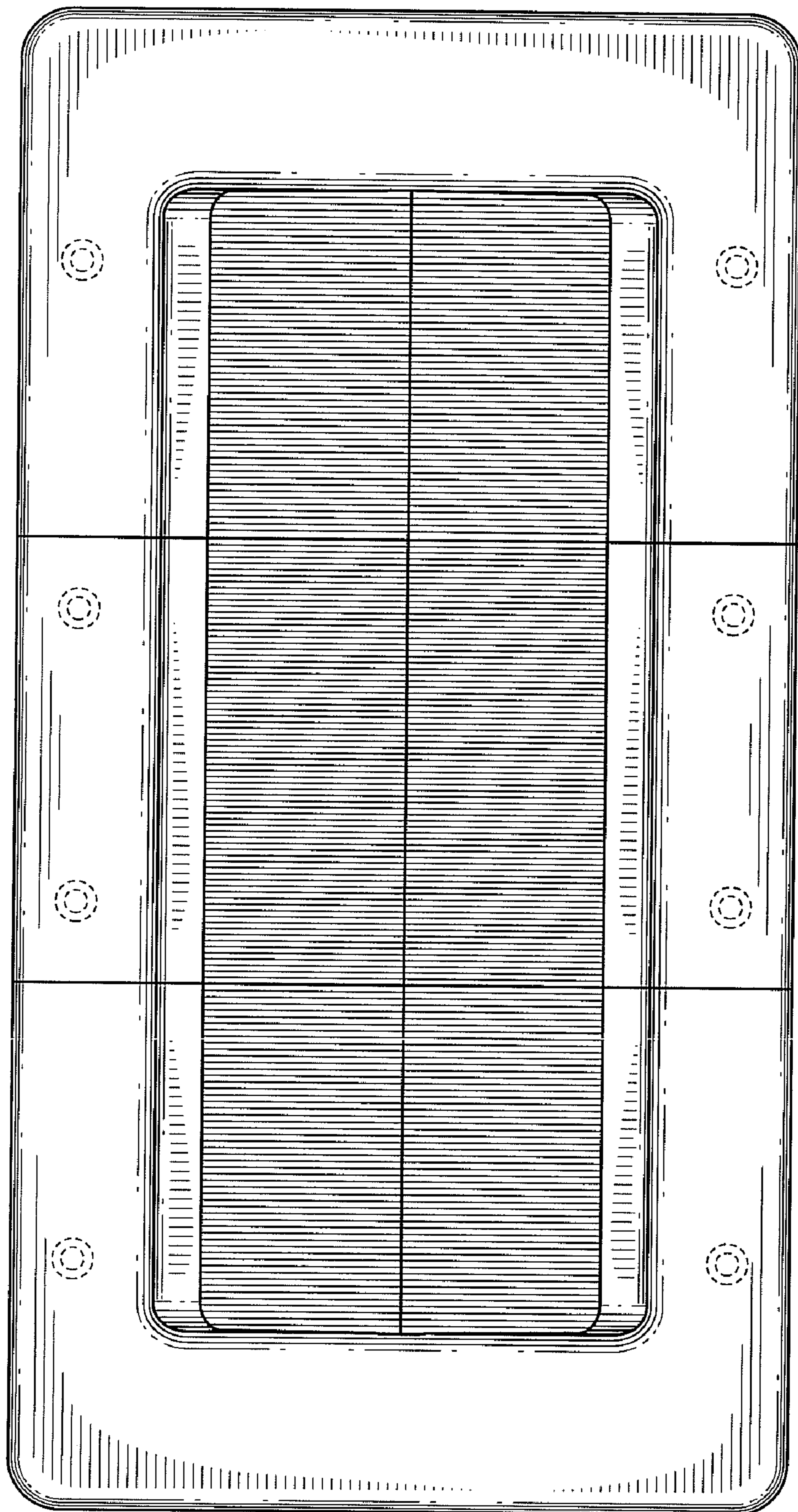


FIG. 7

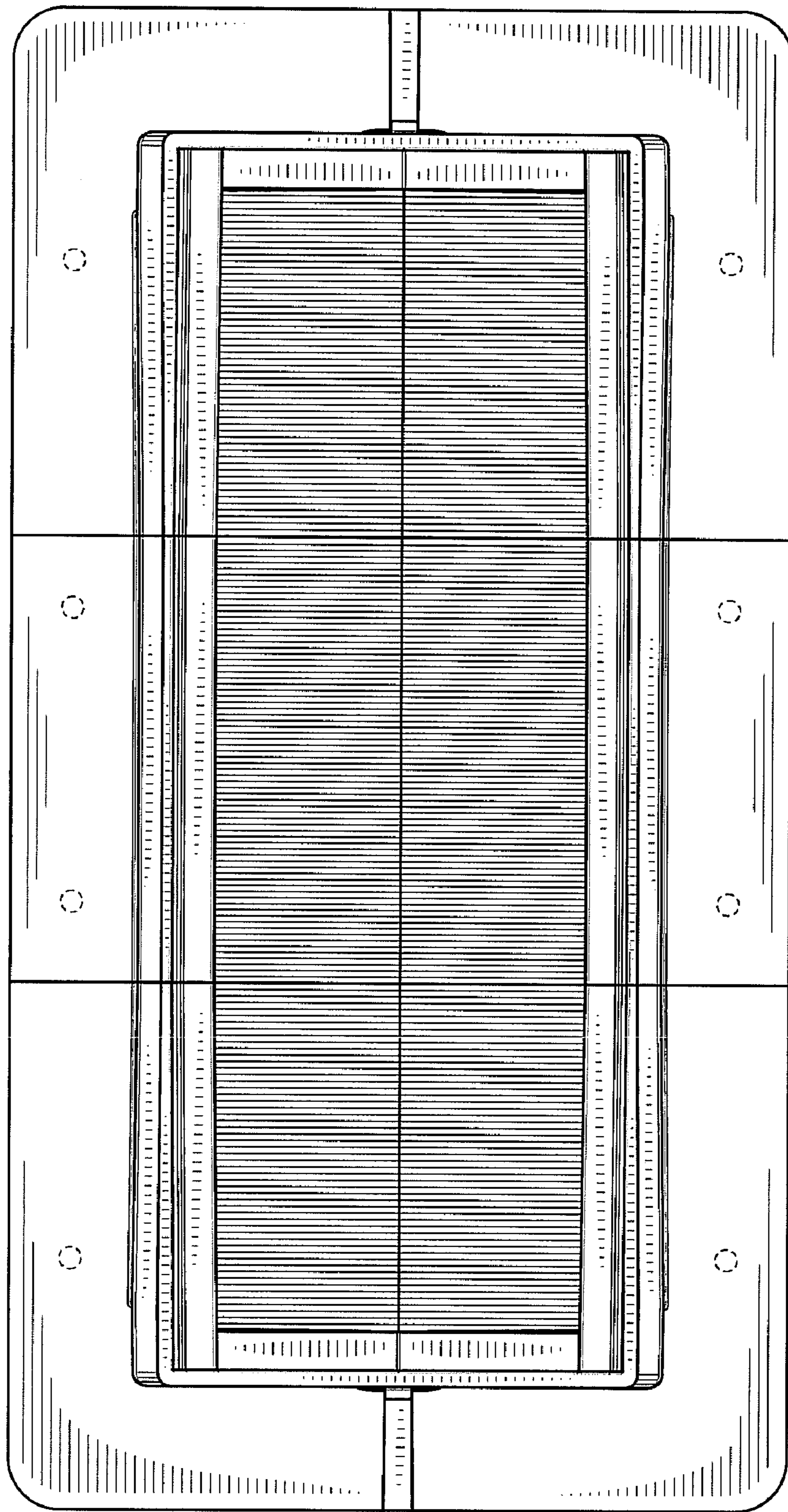


FIG. 8

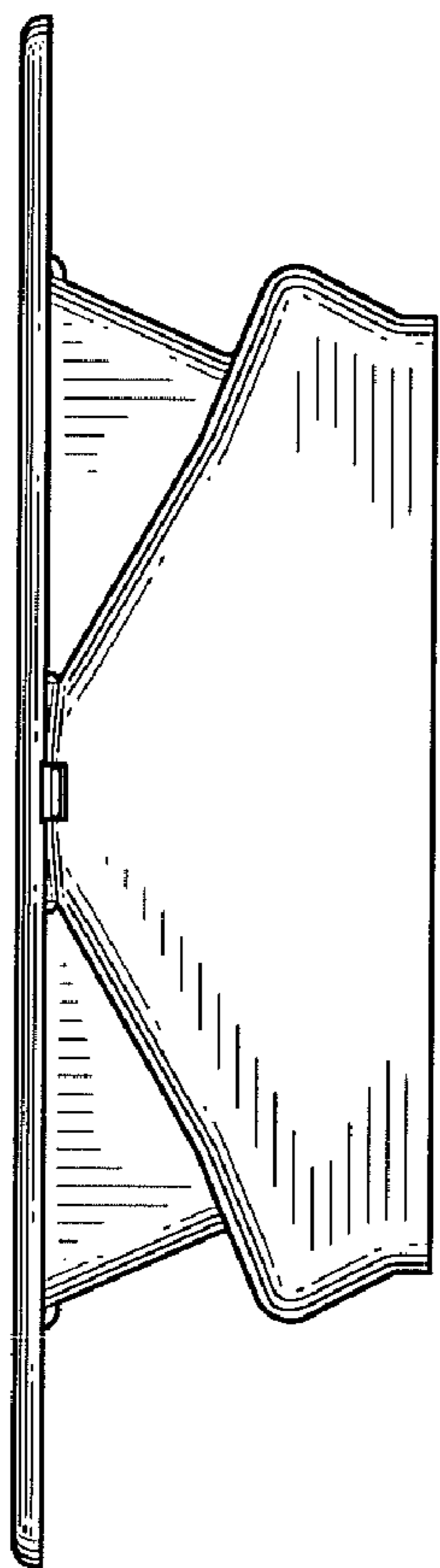


FIG. 9

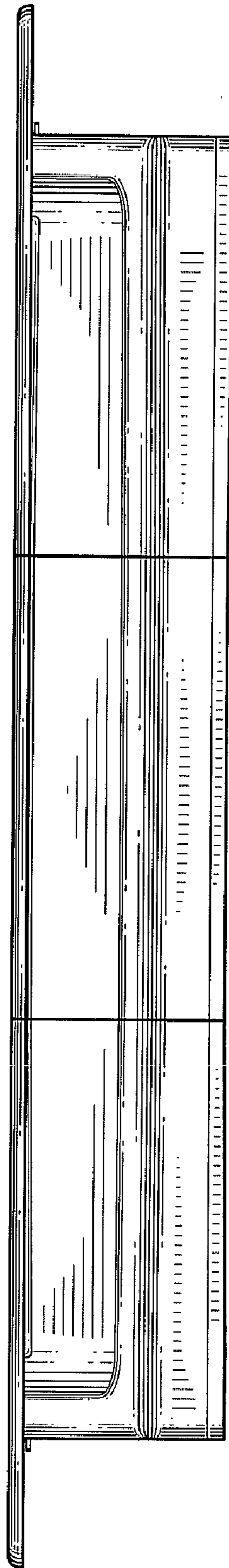


FIG. 10