



US00D579760S

(12) **United States Design Patent**  
**Roberts, III**

(10) **Patent No.:** **US D579,760 S**

(45) **Date of Patent:** **\*\* Nov. 4, 2008**

(54) **DOOR HANDLESET AND ESCUTCHEON**

(75) Inventor: **Rockwood Theodore Roberts, III**,  
Carmel, IN (US)

(73) Assignee: **Schlage Lock Company**, Carmel, IN  
(US)

(\*\*) Term: **14 Years**

(21) Appl. No.: **29/317,790**

(22) Filed: **May 7, 2008**

**Related U.S. Application Data**

(62) Division of application No. 29/278,248, filed on Mar. 23, 2007, now Pat. No. Des. 571,183.

(51) **LOC (8) Cl.** ..... **11-05**

(52) **U.S. Cl.** ..... **D8/353; D8/350**

(58) **Field of Classification Search** ..... D8/350-353,  
D8/300, 301, 302, 308, 310, 316, 317-320;  
D13/156, 177, 152, 154, 158, 173, 169, 171,  
D13/139.1-139.8, 146, 147; D14/159; D25/60;  
174/66, 67; 220/241, 3.92, 3.5-3.8, 242;  
439/536, 535, 892; 200/303; 248/273; 292/357,  
292/336.3; 70/107, 111, 402, 450, 452, DIG. 73  
See application file for complete search history.

(56) **References Cited**

**U.S. PATENT DOCUMENTS**

D284,069 S *	6/1986	Levin	.....	D10/118
D290,338 S *	6/1987	Tegner	.....	D8/350
D391,827 S *	3/1998	Carsello	.....	D8/321
D391,828 S *	3/1998	Carsello	.....	D8/321
D391,829 S *	3/1998	Carsello	.....	D8/321
D391,830 S *	3/1998	Carsello	.....	D8/321
D436,420 S *	1/2001	Hidalgo	.....	D26/142

D471,079 S *	3/2003	Ellis et al.	.....	D8/350
D471,432 S *	3/2003	Ellis et al.	.....	D8/350
D471,786 S *	3/2003	Ellis et al.	.....	D8/350
D487,388 S *	3/2004	Gundlach et al.	.....	D8/302
D495,229 S *	8/2004	Ellis et al.	.....	D8/301
D495,576 S *	9/2004	Ellis et al.	.....	D8/301
D503,329 S *	3/2005	Berberet	.....	D8/350
D528,403 S *	9/2006	Xu et al.	.....	D8/353
D556,369 S *	11/2007	Barry	.....	D26/142

\* cited by examiner

*Primary Examiner*—Ian Simmons

*Assistant Examiner*—Mark A Goodwin

(74) *Attorney, Agent, or Firm*—Michael Best & Friedrich LLP

(57) **CLAIM**

I claim the ornamental design for a door handleset and escutcheon, as shown and described.

**DESCRIPTION**

FIG. 1 is a front elevational view of a door handleset and escutcheon embodying the invention.

FIG. 2 is a side elevational view of the door handleset and escutcheon shown in FIG. 1, the opposite side elevational view being a mirror image thereof.

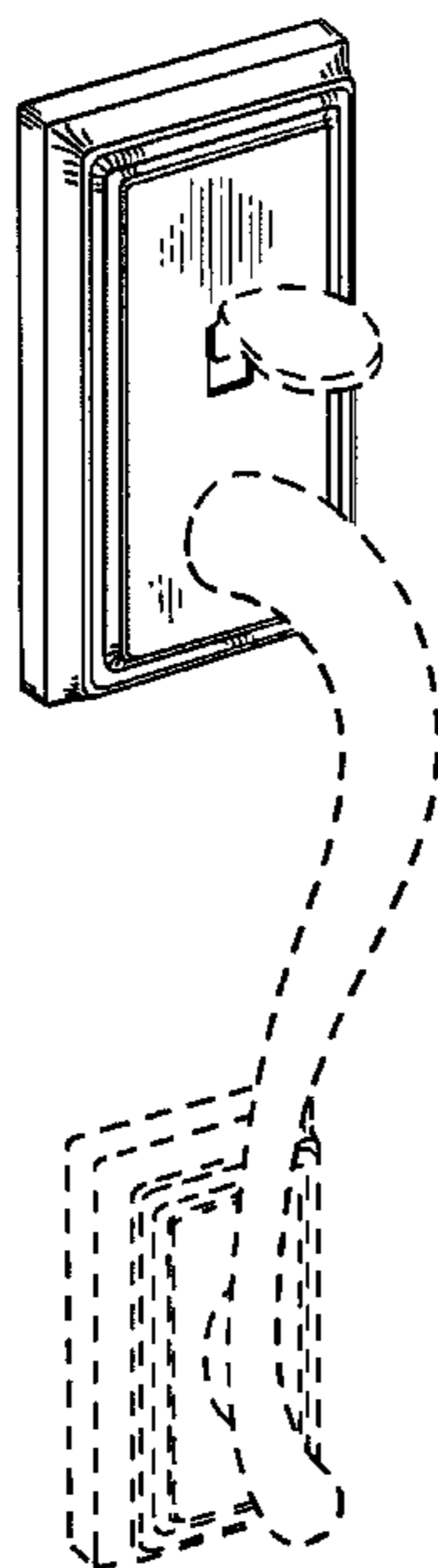
FIG. 3 is a perspective view of the door handleset and escutcheon shown in FIG. 1.

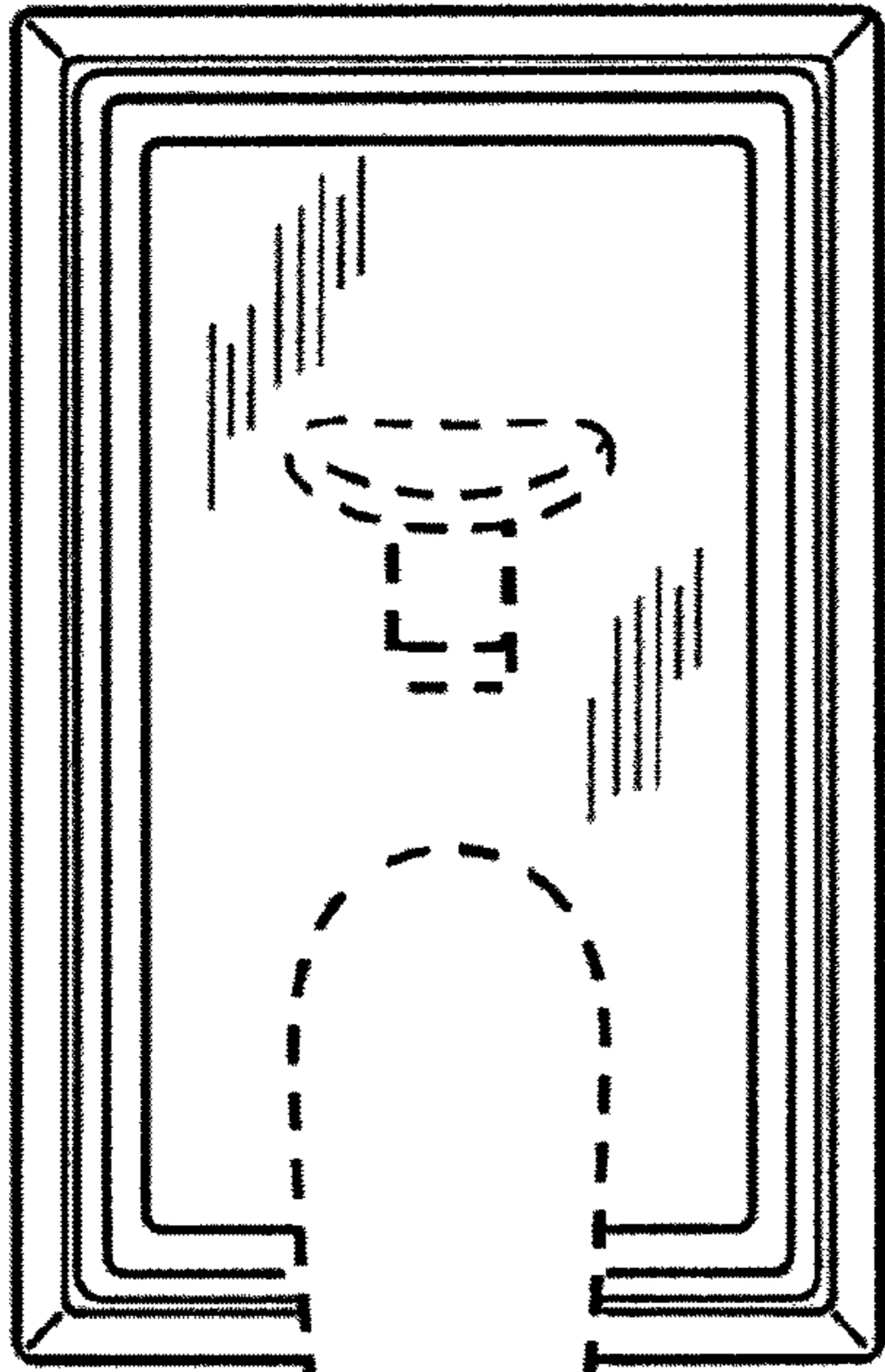
FIG. 4 is a top plan view of the door handleset and escutcheon shown in FIG. 1; and,

FIG. 5 is a bottom plan view of the door handleset and escutcheon shown in FIG. 1.

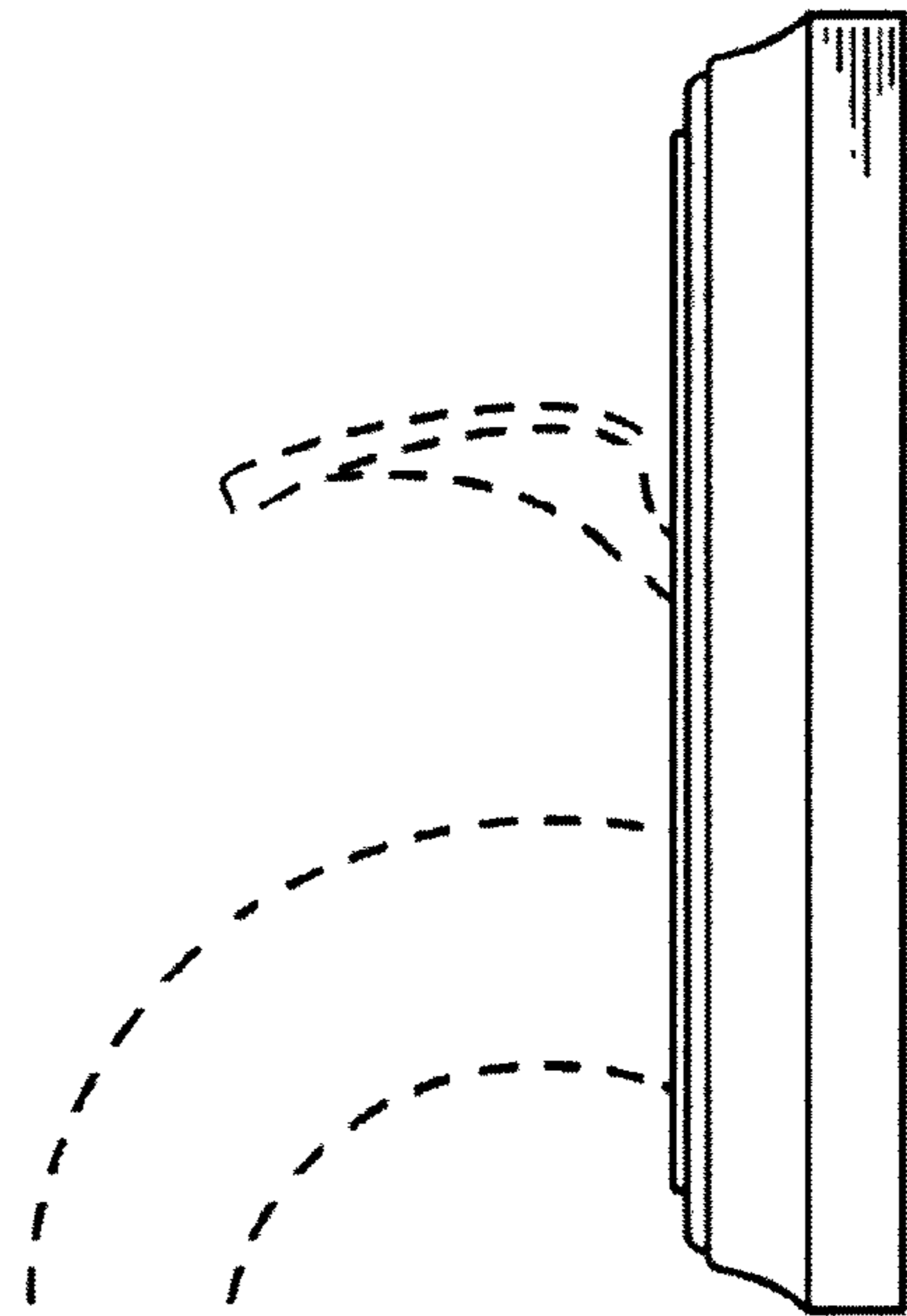
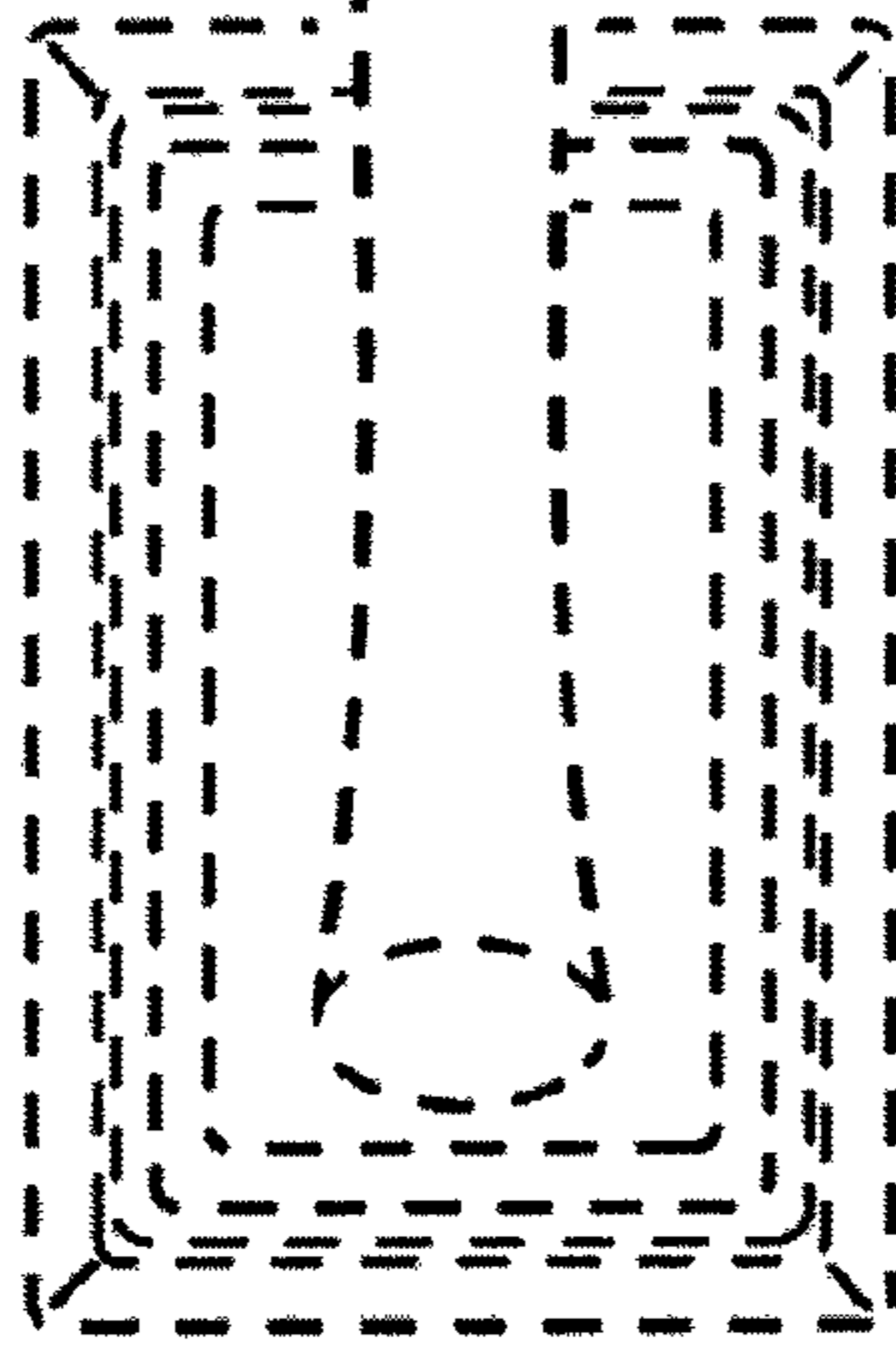
The rear view is not part of the claimed design. The broken line showing is for illustrative purposes only and forms no part of the claimed design.

**1 Claim, 3 Drawing Sheets**

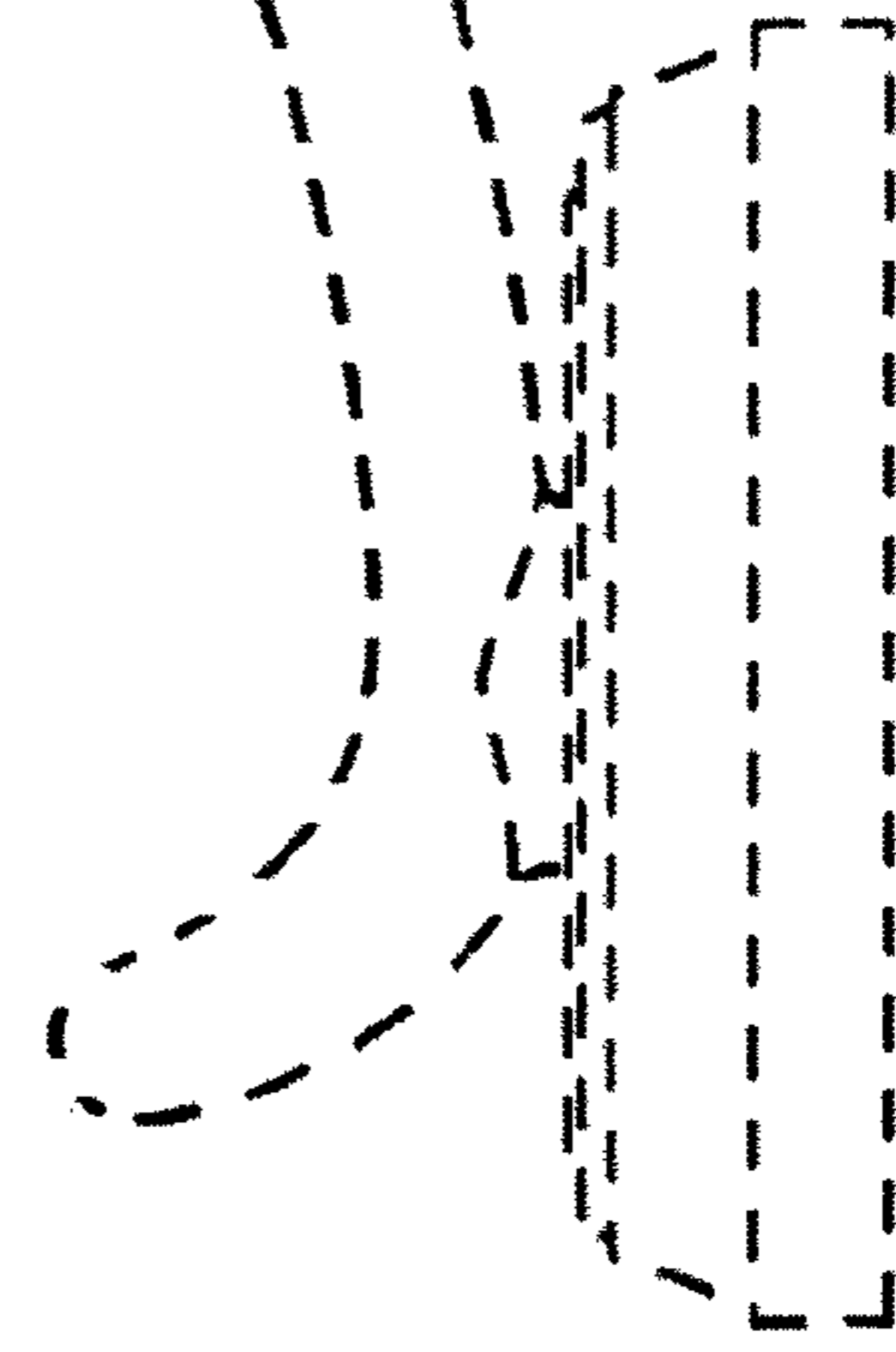


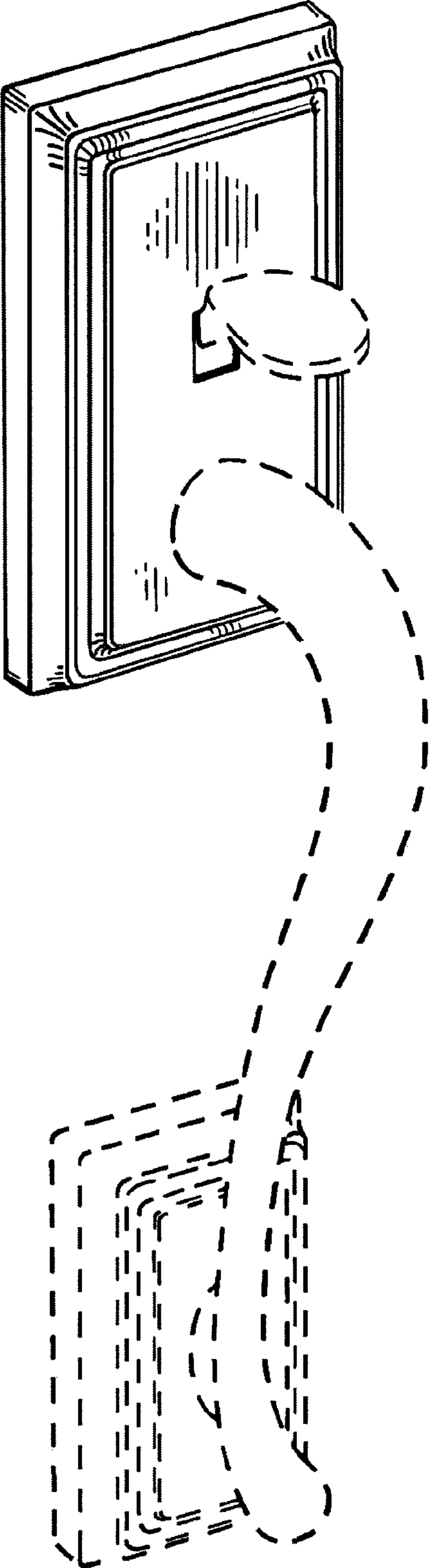


*fig. 1*



*fig. 2*





*fig. 3*

