



US00D579759S

(12) **United States Design Patent**  
**Strait et al.**

(10) **Patent No.:** **US D579,759 S**  
(45) **Date of Patent:** **\*\* Nov. 4, 2008**

(54) **MOUNTING BRACKET**

(75) Inventors: **Mickey L. Strait**, Holton, MI (US);  
**Gregory A. Laarman**, Holland, MI  
(US); **Ervin VanDenberg**, Massillon,  
OH (US)

(73) Assignee: **Jost International Corp.**, Grand Haven,  
MI (US)

(\*\*) Term: **14 Years**

(21) Appl. No.: **29/297,798**

(22) Filed: **Nov. 19, 2007**

(51) **LOC (8) Cl.** ..... **08-05**

(52) **U.S. Cl.** ..... **D8/349**

(58) **Field of Classification Search** ..... D8/300,  
D8/310, 349, 354, 380, 382, 396, 397; D6/491;  
D14/239, 451, 452, 209, 224; 248/150, 176.1,  
248/200, 201, 205.1, 231.9, 276.1, 309.1,  
248/323, 917-919

See application file for complete search history.

(56) **References Cited**

**U.S. PATENT DOCUMENTS**

D220,027 S \* 3/1971 Myers ..... D8/397  
D246,691 S \* 12/1977 Takahashi ..... D8/310  
D274,498 S \* 7/1984 Ash ..... D8/349  
D278,029 S \* 3/1985 Suponitsky ..... D8/397

D462,256 S \* 9/2002 Jaynes ..... D8/382  
D493,348 S \* 7/2004 Bertani ..... D8/300  
D515,910 S \* 2/2006 Gates et al. .... D8/354  
D543,547 S \* 5/2007 Muday et al. .... D14/452  
D557,125 S \* 12/2007 Worrall et al. .... D8/380  
D557,126 S \* 12/2007 Worrall et al. .... D8/380  
D559,657 S \* 1/2008 Wohlford et al. .... D8/354  
D560,669 S \* 1/2008 Muday et al. .... D14/451  
D568,324 S \* 5/2008 Stenhouse et al. .... D14/451  
D568,326 S \* 5/2008 Muday et al. .... D14/452  
2002/0113178 A1 \* 8/2002 Ligertwood ..... 248/158

\* cited by examiner

*Primary Examiner*—Holly H. Baynham

*Assistant Examiner*—Cynthia M Chin

(74) *Attorney, Agent, or Firm*—Sand & Sebolt

(57) **CLAIM**

The ornamental design for a mounting bracket, as shown and described.

**DESCRIPTION**

FIG. 1 is a perspective view of the mounting bracket of the present invention.

FIG. 2 is a front elevational view of FIG. 1.

FIG. 3 is a rear elevational view of FIG. 1.

FIG. 4 is a top plan view of FIG. 1; and,

FIG. 5 is a side elevational view of FIG. 1.

**1 Claim, 1 Drawing Sheet**

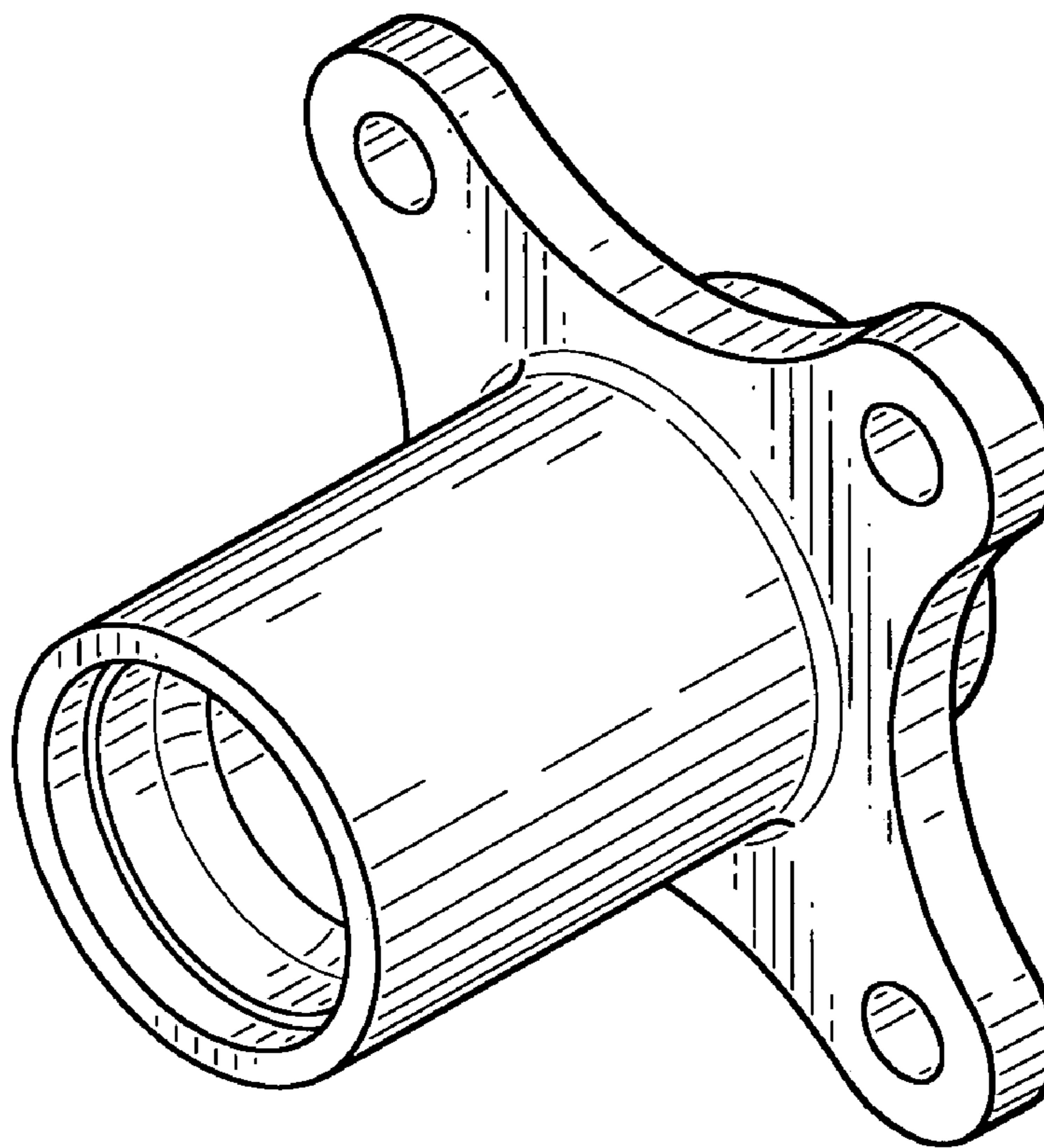


FIG-1

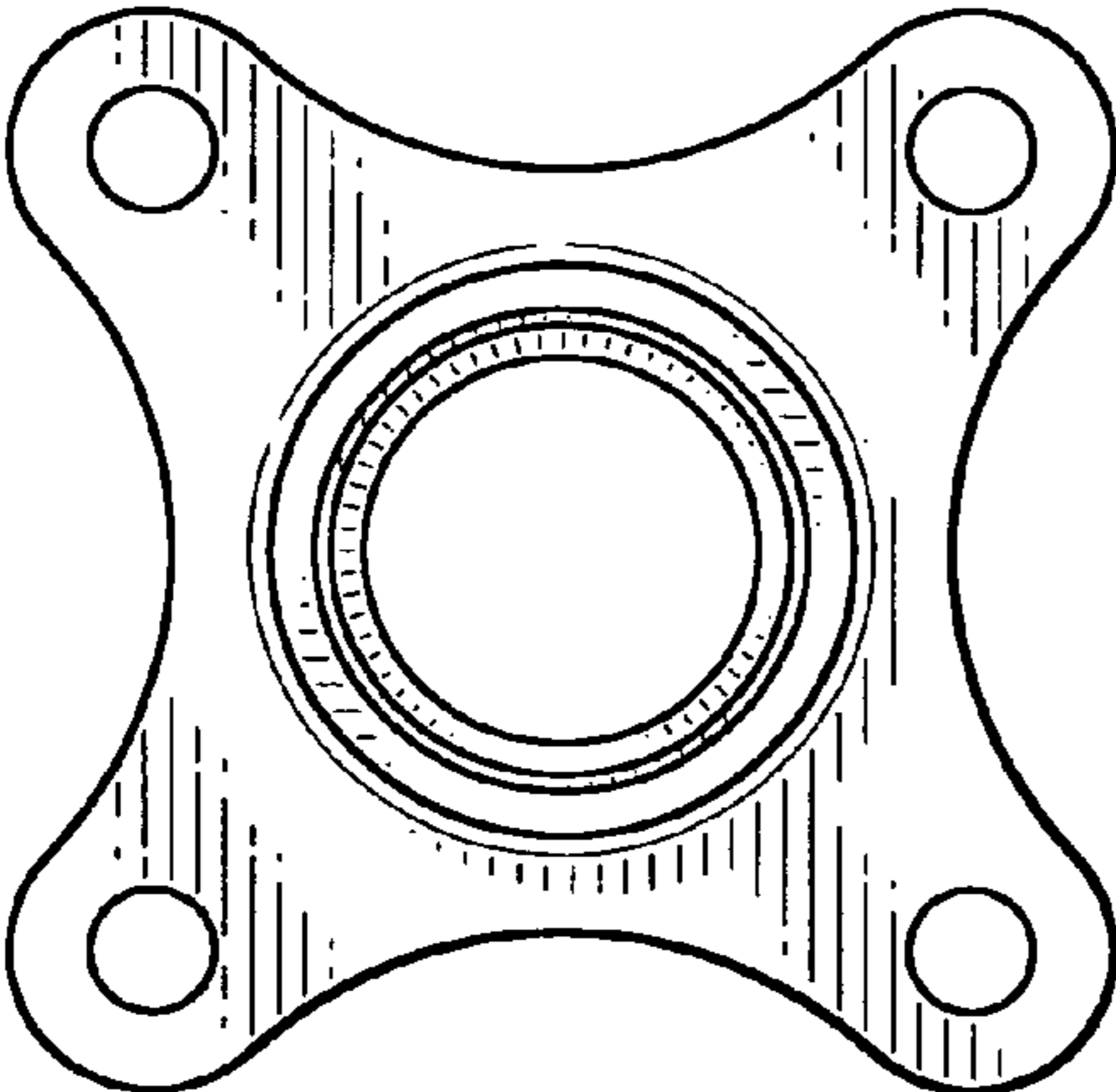
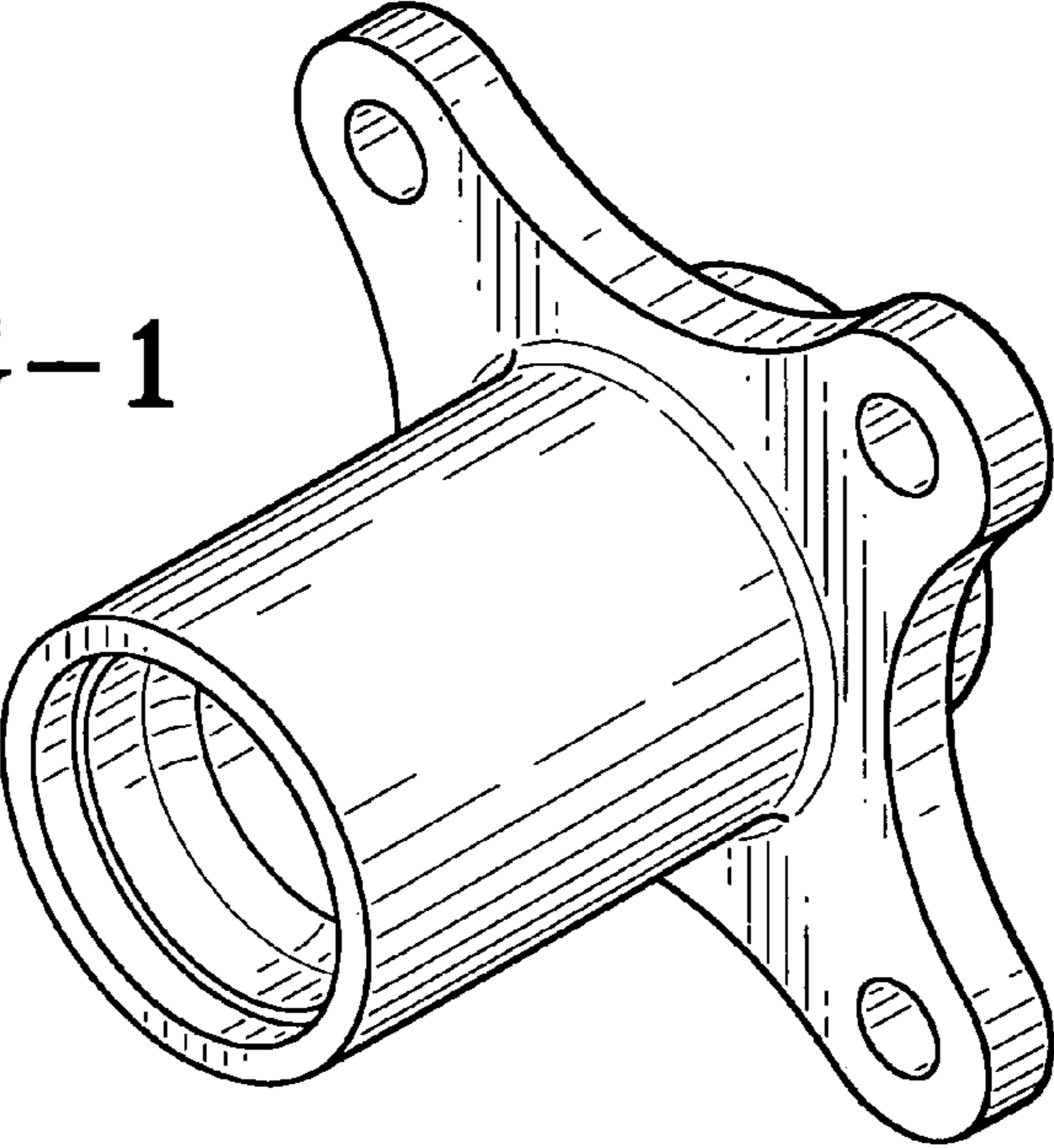


FIG-2

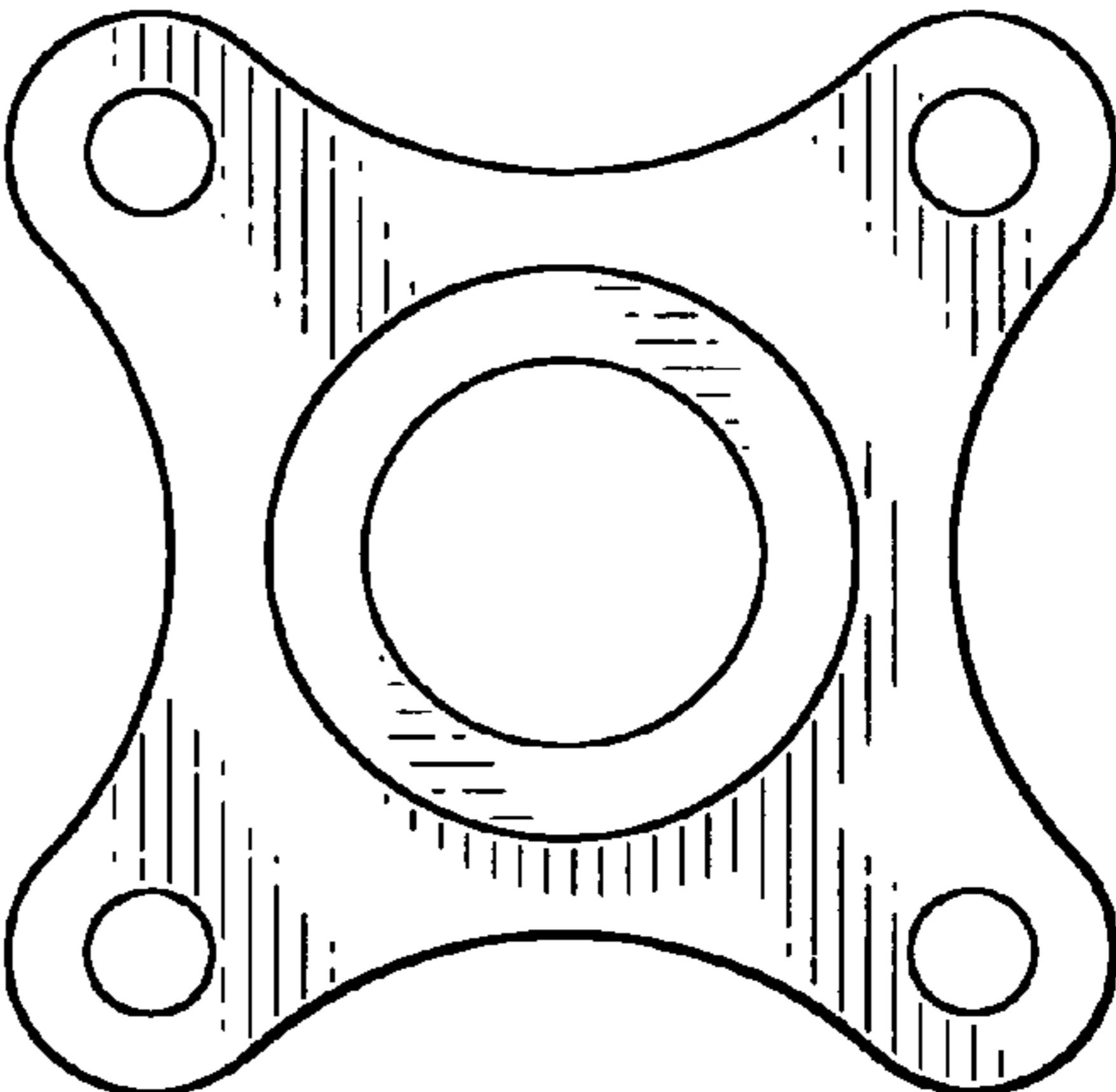


FIG-3

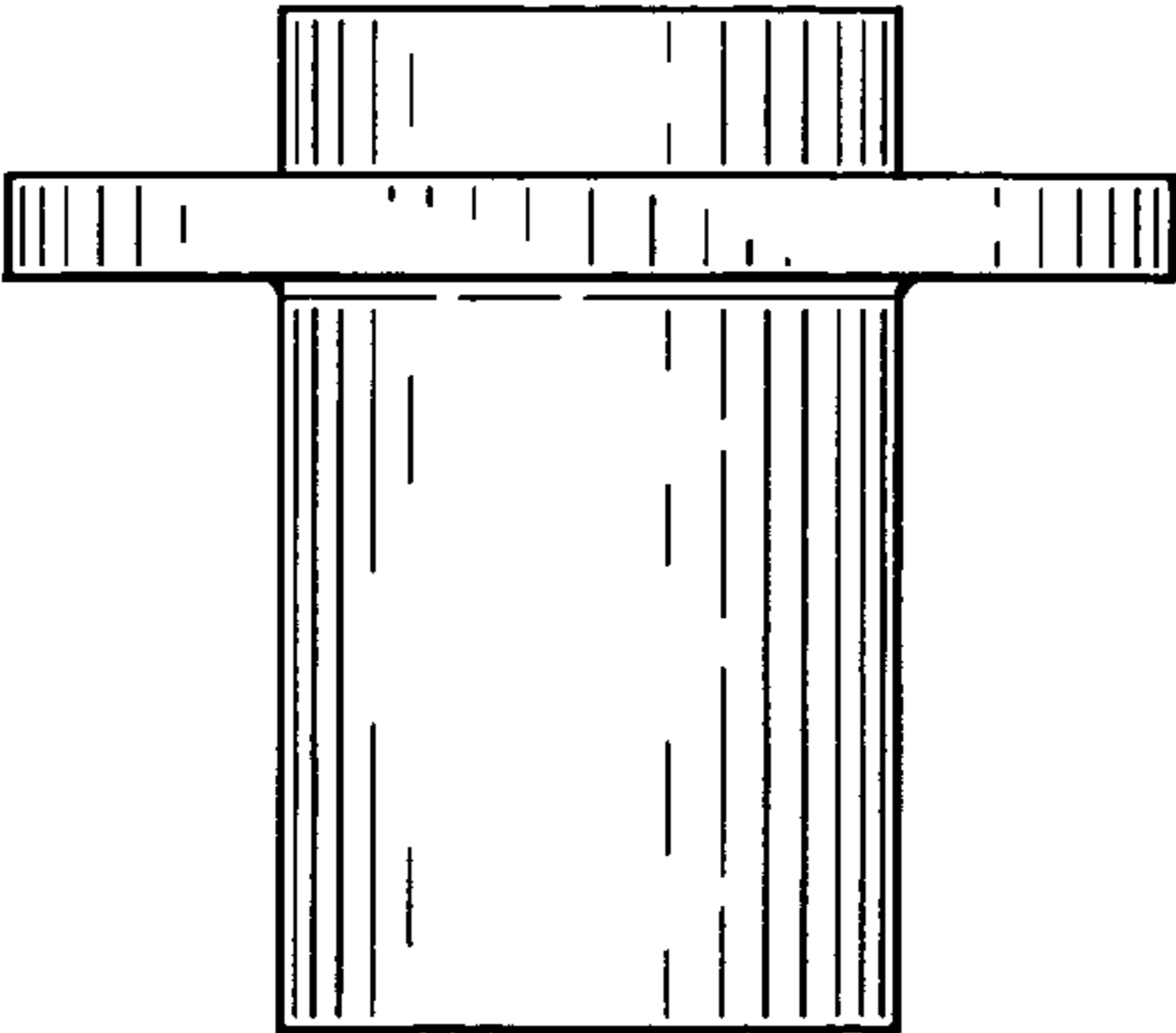


FIG-4

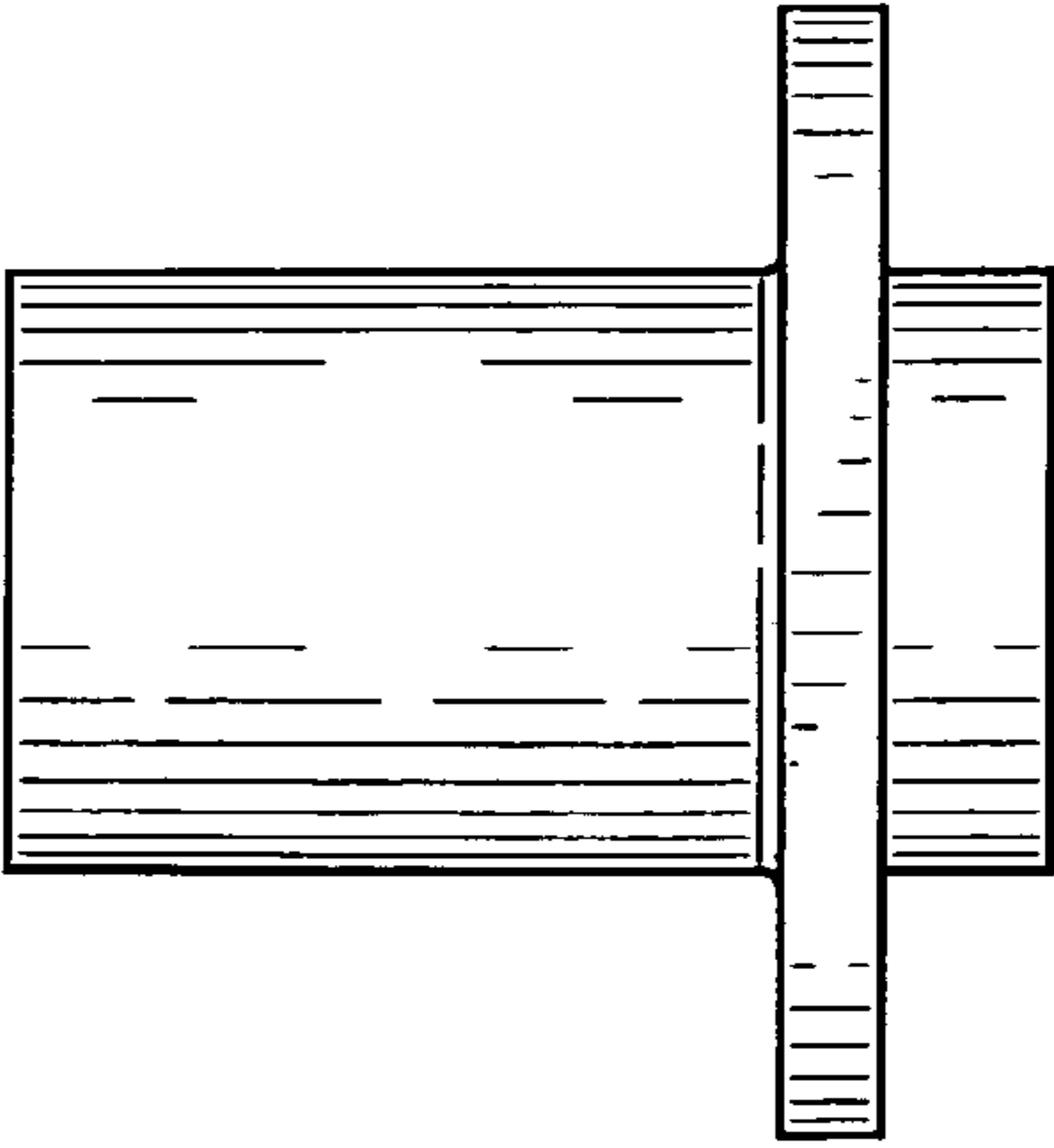


FIG-5